

# INTERNATIONAL STANDARD

# NORME INTERNATIONALE



**Low-voltage surge protective devices –  
Part 11: Surge protective devices connected to low-voltage power systems –  
Requirements and test methods**

**Parafoudres basse tension –  
Partie 11: Parafoudres connectés aux systèmes basse tension – Exigences et  
méthodes d'essai**



## THIS PUBLICATION IS COPYRIGHT PROTECTED

Copyright © 2011 IEC, Geneva, Switzerland

All rights reserved. Unless otherwise specified, no part of this publication may be reproduced or utilized in any form or by any means, electronic or mechanical, including photocopying and microfilm, without permission in writing from either IEC or IEC's member National Committee in the country of the requester.

If you have any questions about IEC copyright or have an enquiry about obtaining additional rights to this publication, please contact the address below or your local IEC member National Committee for further information.

Droits de reproduction réservés. Sauf indication contraire, aucune partie de cette publication ne peut être reproduite ni utilisée sous quelque forme que ce soit et par aucun procédé, électronique ou mécanique, y compris la photocopie et les microfilms, sans l'accord écrit de la CEI ou du Comité national de la CEI du pays du demandeur.

Si vous avez des questions sur le copyright de la CEI ou si vous désirez obtenir des droits supplémentaires sur cette publication, utilisez les coordonnées ci-après ou contactez le Comité national de la CEI de votre pays de résidence.

IEC Central Office  
3, rue de Varembe  
CH-1211 Geneva 20  
Switzerland  
Email: [inmail@iec.ch](mailto:inmail@iec.ch)  
Web: [www.iec.ch](http://www.iec.ch)

### About the IEC

The International Electrotechnical Commission (IEC) is the leading global organization that prepares and publishes International Standards for all electrical, electronic and related technologies.

### About IEC publications

The technical content of IEC publications is kept under constant review by the IEC. Please make sure that you have the latest edition, a corrigenda or an amendment might have been published.

- Catalogue of IEC publications: [www.iec.ch/searchpub](http://www.iec.ch/searchpub)

The IEC on-line Catalogue enables you to search by a variety of criteria (reference number, text, technical committee,...). It also gives information on projects, withdrawn and replaced publications.

- IEC Just Published: [www.iec.ch/online\\_news/justpub](http://www.iec.ch/online_news/justpub)

Stay up to date on all new IEC publications. Just Published details twice a month all new publications released. Available on-line and also by email.

- Electropedia: [www.electropedia.org](http://www.electropedia.org)

The world's leading online dictionary of electronic and electrical terms containing more than 20 000 terms and definitions in English and French, with equivalent terms in additional languages. Also known as the International Electrotechnical Vocabulary online.

- Customer Service Centre: [www.iec.ch/webstore/custserv](http://www.iec.ch/webstore/custserv)

If you wish to give us your feedback on this publication or need further assistance, please visit the Customer Service Centre FAQ or contact us:

Email: [csc@iec.ch](mailto:csc@iec.ch)

Tel.: +41 22 919 02 11

Fax: +41 22 919 03 00

---

### A propos de la CEI

La Commission Electrotechnique Internationale (CEI) est la première organisation mondiale qui élabore et publie des normes internationales pour tout ce qui a trait à l'électricité, à l'électronique et aux technologies apparentées.

### A propos des publications CEI

Le contenu technique des publications de la CEI est constamment revu. Veuillez vous assurer que vous possédez l'édition la plus récente, un corrigendum ou amendement peut avoir été publié.

- Catalogue des publications de la CEI: [www.iec.ch/searchpub/cur\\_fut-f.htm](http://www.iec.ch/searchpub/cur_fut-f.htm)

Le Catalogue en-ligne de la CEI vous permet d'effectuer des recherches en utilisant différents critères (numéro de référence, texte, comité d'études,...). Il donne aussi des informations sur les projets et les publications retirées ou remplacées.

- Just Published CEI: [www.iec.ch/online\\_news/justpub](http://www.iec.ch/online_news/justpub)

Restez informé sur les nouvelles publications de la CEI. Just Published détaille deux fois par mois les nouvelles publications parues. Disponible en-ligne et aussi par email.

- Electropedia: [www.electropedia.org](http://www.electropedia.org)

Le premier dictionnaire en ligne au monde de termes électroniques et électriques. Il contient plus de 20 000 termes et définitions en anglais et en français, ainsi que les termes équivalents dans les langues additionnelles. Egalement appelé Vocabulaire Electrotechnique International en ligne.

- Service Clients: [www.iec.ch/webstore/custserv/custserv\\_entry-f.htm](http://www.iec.ch/webstore/custserv/custserv_entry-f.htm)

Si vous désirez nous donner des commentaires sur cette publication ou si vous avez des questions, visitez le FAQ du Service clients ou contactez-nous:

Email: [csc@iec.ch](mailto:csc@iec.ch)

Tél.: +41 22 919 02 11

Fax: +41 22 919 03 00



IEC 61643-11

Edition 1.0 2011-03

# INTERNATIONAL STANDARD

# NORME INTERNATIONALE



---

**Low-voltage surge protective devices –  
Part 11: Surge protective devices connected to low-voltage power systems –  
Requirements and test methods**

**Parafoudres basse tension –  
Partie 11: Parafoudres connectés aux systèmes basse tension – Exigences et  
méthodes d'essai**

INTERNATIONAL  
ELECTROTECHNICAL  
COMMISSION

COMMISSION  
ELECTROTECHNIQUE  
INTERNATIONALE

PRICE CODE **XD**  
CODE PRIX

---

ICS 29.240; 29.240.10

ISBN 978-2-88912-350-6

## CONTENTS

FOREWORD.....	7
INTRODUCTION.....	9
1 Scope.....	10
2 Normative references.....	10
3 Terms, definitions and abbreviations.....	10
3.1 Terms and definitions.....	11
3.2 Abbreviations.....	16
4 Service conditions.....	18
4.1 Frequency.....	18
4.2 Voltage.....	18
4.3 Air pressure and altitude.....	18
4.4 Temperatures.....	18
4.5 Humidity.....	18
5 Classification.....	18
5.1 Number of ports.....	18
5.1.1 One.....	18
5.1.2 Two.....	18
5.2 SPD design.....	18
5.2.1 Voltage switching.....	18
5.2.2 Voltage limiting.....	18
5.2.3 Combination.....	18
5.3 Class I, II and III tests.....	18
5.4 Location.....	19
5.4.1 Indoor.....	19
5.4.2 Outdoor.....	19
5.5 Accessibility.....	19
5.5.1 Accessible.....	19
5.5.2 Inaccessible.....	19
5.6 Mounting method.....	19
5.6.1 Fixed.....	19
5.6.2 Portable.....	19
5.7 Disconnectors (including overcurrent protection).....	19
5.7.1 Location.....	19
5.7.2 Protection functions.....	19
5.8 Degree of protection provided by enclosures.....	19
5.9 Temperature and humidity range.....	20
5.9.1 Normal.....	20
5.9.2 Extended.....	20
5.10 Power system.....	20
5.10.1 AC between 47 Hz and 63 Hz.....	20
5.10.2 AC other than the range of 47 Hz to 63 Hz.....	20
5.11 Multipole SPD.....	20
5.12 SPD failure behaviour.....	20
5.12.1 open circuit (standard type SPD).....	20
5.12.2 short-circuit (short-circuiting type SPD).....	20

6	Preferred values for SPD	20
6.1	Preferred values of impulse discharge current $I_{imp}$ for class I tests	20
6.2	Preferred values of nominal discharge current for class II tests $I_n$	20
6.3	Preferred values of open-circuit voltage for class III tests $U_{oc}$	20
6.4	Preferred values of voltage protection level $U_p$	20
6.5	Preferred values of r.m.s. maximum continuous operating voltage $U_c$	20
7	Requirements	21
7.1	General requirements	21
7.1.1	Identification	21
7.1.2	Marking	22
7.2	Electrical requirements	22
7.2.1	Protection against direct contact	22
7.2.2	Residual current $I_{pE}$	23
7.2.3	Voltage protection level $U_p$	23
7.2.4	Operating duty	23
7.2.5	Disconnectors and status indicators	23
7.2.6	Insulation resistance	24
7.2.7	Dielectric withstand	24
7.2.8	Behaviour under Temporary Overvoltages	24
7.3	Mechanical requirements	25
7.3.1	Mounting	25
7.3.2	Screws, current carrying parts and connections	25
7.3.3	External connections	25
7.3.4	Air clearances and creepage distances	27
7.3.5	Mechanical strength	27
7.4	Environmental and material requirements	27
7.4.1	Protection provided by enclosure (IP code)	27
7.4.2	Heat resistance	27
7.4.3	Fire resistance	27
7.4.4	Tracking resistance	27
7.4.5	Electromagnetic compatibility	28
7.5	Additional requirements for specific SPD designs	28
7.5.1	Two port SPDs and one port SPDs with separate input/output terminals	28
7.5.2	Environmental tests for outdoor SPDs	28
7.5.3	SPDs with separate isolated circuits	28
7.5.4	Short-circuiting type SPDs	29
7.6	Additional requirements as may be declared by the manufacturer	29
7.6.1	One-port and two-port SPDs	29
7.6.2	Two port SPDs only	29
8	Type tests	29
8.1	General testing procedures	30
8.1.1	Impulse discharge current used for class I additional duty test	36
8.1.2	Current impulse used for class I and class II residual voltage and operating duty tests	36
8.1.3	Voltage impulse used for class I and II sparkover tests	37
8.1.4	Combination wave used for class III tests	37
8.2	Indelibility of markings	40
8.3	Electrical tests	40

8.3.1	Protection against direct contact.....	40
8.3.2	Residual current $I_{PE}$ .....	40
8.3.3	Measured limiting voltage.....	41
8.3.4	Operating duty test.....	44
8.3.5	Disconnectors and safety performance of overstressed SPDs.....	48
8.3.6	Insulation resistance.....	54
8.3.7	Dielectric withstand.....	55
8.3.8	Behaviour under Temporary Overvoltages (TOVs).....	56
8.4	Mechanical tests.....	60
8.4.1	Reliability of screws, current-carrying parts and connections.....	60
8.4.2	Terminals for external conductors.....	61
8.4.3	Verification of air clearances and creepage distances.....	65
8.4.4	Mechanical strength.....	68
8.5	Environmental and material tests.....	72
8.5.1	Resistance to ingress of solid objects and to harmful ingress of water.....	72
8.5.2	Heat resistance.....	72
8.5.3	Ball pressure test.....	73
8.5.4	Resistance to abnormal heat and fire.....	74
8.5.5	Tracking resistance.....	75
8.6	Additional tests for specific SPD designs.....	75
8.6.1	Test for two-port SPDs and one-port SPDs with separate input/output terminals.....	75
8.6.2	Environmental tests for outdoor SPDs.....	78
8.6.3	SPDs with separate isolated circuits.....	78
8.6.4	Short-circuiting type SPDs.....	78
8.7	Additional tests for specific performance if declared by the manufacturer.....	78
8.7.1	Total discharge current test for multipole SPDs.....	78
8.7.2	Test to determine the voltage drop.....	79
8.7.3	Load-side surge withstand capability.....	79
8.7.4	Measurement of voltage rate of rise $du/dt$ .....	80
9	Routine and acceptance tests.....	80
9.1	Routine tests.....	80
9.2	Acceptance tests.....	80
Annex A (normative)	Reference test voltages for SPDs $U_{REF}$ .....	81
Annex B (normative)	TOV Ratings.....	86
Annex C (normative)	Tests to determine the presence of a switching component and the magnitude of the follow current.....	89
Annex D (normative)	Reduced test procedures.....	91
Annex E (informative)	Alternative circuits for testing SPDs under TOVs caused by faults in the high (medium) voltage system.....	93
Annex F (informative)	Environmental tests for outdoor SPDs.....	94
Annex G (normative)	Temperature rise limits.....	96
	Bibliography.....	97
	Figure 1 – Metallic screen test set-up.....	31
	Figure 2 – Example of a decoupling network for single-phase power.....	39
	Figure 3 – Example of a decoupling network for three-phase power.....	39
	Figure 4 – Alternate test for the measured limiting voltage.....	39

Figure 5 – Flow chart of testing to check the voltage protection level $U_p$ .....	42
Figure 6 – Flow chart of the operating duty test .....	45
Figure 7 – Test set-up for operating duty test.....	46
Figure 8 – Operating duty test timing diagram for test classes I and II .....	47
Figure 9 – Additional duty test timing diagram for test class I.....	48
Figure 10 – Operating duty test timing diagram for test class III .....	48
Figure 11 – Test circuit for SPD with $I_{fi}$ lower than the declared short-circuit rating.....	52
Figure 12 – Test circuit for SPD's failure mode simulation .....	53
Figure 13 – Timing diagram for SPD's failure mode simulation.....	53
Figure 14 – Example of a test circuit to perform the test under TOVs caused by faults in the low voltage system.....	57
Figure 15 – Timing diagram for the test under TOVs caused by faults in the low voltage system.....	57
Figure 16 – Example of circuit for testing SPDs for use in TT systems under TOVs caused by faults in high (medium) voltage system .....	59
Figure 17 – Timing diagram for use in testing SPDs under TOVs caused by faults in the high (medium) voltage system using circuit of Figure 16 .....	60
Figure 18 – Test apparatus for impact test.....	69
Figure 19 – Striking element of the pendulum hammer.....	70
Figure 20 – Ball thrust tester.....	73
Figure 21 – Loading rod for ball thrust tester.....	73
Figure 22 – Examples for appropriate test circuits of the load side short-circuit test(s).....	77
Figure E.1 – Examples of a three-phase and single-phase circuit for use in testing SPDs under TOVs caused by faults in the high (medium) voltage system .....	93
Table 1 – List of Abbreviations.....	17
Table 2 – Class I, II and III tests .....	19
Table 3 – Type test requirements for SPDs.....	32
Table 4 – Common pass criteria for type tests .....	34
Table 5 – Cross reference for pass criteria versus type tests .....	35
Table 6 – Preferred parameters for class I test .....	36
Table 7 – Tests to be performed to determine the measured limiting voltage .....	43
Table 8 – Prospective short-circuit current and power factor .....	50
Table 9 – Dielectric withstand .....	55
Table 10 – Screw thread diameters and applied torques .....	61
Table 11 – Cross-sections of copper conductors for screw-type or screwless terminals .....	62
Table 12 – Pulling forces (screw terminals).....	63
Table 13 – Conductor dimensions .....	63
Table 14 – Pulling forces (screwless terminals) .....	64
Table 15 – Air clearances for SPDs .....	66
Table 16 – Creepage distances for SPDs.....	67
Table 17 – Relationship between material groups and classifications.....	68
Table 18 – Fall distances for impact requirements .....	71
Table 19 – Test conductors for rated load current test .....	75

Table 20 – Current factor $k$ for overload behaviour .....	76
Table 21 – Tolerances for proportional surge currents .....	79
Table A.1 – Reference test voltage values .....	82
Table B.1 – TOV test values for systems complying with IEC 60364 series .....	86
Table B.2 – TOV test parameters for North American systems .....	87
Table B.3 – TOV test parameters for Japanese systems .....	88
Table D.1 – Reduced test procedure for SPDs complying with IEC 61643-1:2005 .....	92
Table G.1 – Temperature-rise limits .....	96



## INTERNATIONAL ELECTROTECHNICAL COMMISSION

**LOW-VOLTAGE SURGE PROTECTIVE DEVICES –****Part 11: Surge protective devices connected  
to low-voltage power systems –  
Requirements and test methods**

## FOREWORD

- 1) The International Electrotechnical Commission (IEC) is a worldwide organization for standardization comprising all national electrotechnical committees (IEC National Committees). The object of IEC is to promote international co-operation on all questions concerning standardization in the electrical and electronic fields. To this end and in addition to other activities, IEC publishes International Standards, Technical Specifications, Technical Reports, Publicly Available Specifications (PAS) and Guides (hereafter referred to as “IEC Publication(s)”). Their preparation is entrusted to technical committees; any IEC National Committee interested in the subject dealt with may participate in this preparatory work. International, governmental and non-governmental organizations liaising with the IEC also participate in this preparation. IEC collaborates closely with the International Organization for Standardization (ISO) in accordance with conditions determined by agreement between the two organizations.
- 2) The formal decisions or agreements of IEC on technical matters express, as nearly as possible, an international consensus of opinion on the relevant subjects since each technical committee has representation from all interested IEC National Committees.
- 3) IEC Publications have the form of recommendations for international use and are accepted by IEC National Committees in that sense. While all reasonable efforts are made to ensure that the technical content of IEC Publications is accurate, IEC cannot be held responsible for the way in which they are used or for any misinterpretation by any end user.
- 4) In order to promote international uniformity, IEC National Committees undertake to apply IEC Publications transparently to the maximum extent possible in their national and regional publications. Any divergence between any IEC Publication and the corresponding national or regional publication shall be clearly indicated in the latter.
- 5) IEC itself does not provide any attestation of conformity. Independent certification bodies provide conformity assessment services and, in some areas, access to IEC marks of conformity. IEC is not responsible for any services carried out by independent certification bodies.
- 6) All users should ensure that they have the latest edition of this publication.
- 7) No liability shall attach to IEC or its directors, employees, servants or agents including individual experts and members of its technical committees and IEC National Committees for any personal injury, property damage or other damage of any nature whatsoever, whether direct or indirect, or for costs (including legal fees) and expenses arising out of the publication, use of, or reliance upon, this IEC Publication or any other IEC Publications.
- 8) Attention is drawn to the Normative references cited in this publication. Use of the referenced publications is indispensable for the correct application of this publication.
- 9) Attention is drawn to the possibility that some of the elements of this IEC Publication may be the subject of patent rights. IEC shall not be held responsible for identifying any or all such patent rights.

International Standard IEC 61643-11 has been prepared by subcommittee 37A: Low-voltage surge protective devices, of IEC technical committee 37: Surge arresters.

This first edition of IEC 61643-11 cancels and replaces the second edition of IEC 61643-1 published in 2005. This edition constitutes a technical revision.

The main changes with respect of the second edition of IEC 61643-1 are the complete restructuring and improvement of the test procedures and test sequences.

The text of this standard is based on the following documents:

FDIS	Report on voting
37A/229/FDIS	37A/232/RVD

Full information on the voting for the approval of this standard can be found in the report on voting indicated in the above table.

This publication has been drafted in accordance with the ISO/IEC Directives, Part 2.

A list of all parts of the IEC 61643 series can be found, under the general title *Low-voltage surge protective devices*, on the IEC website.

The committee has decided that the contents of this publication will remain unchanged until the stability date indicated on the IEC web site under "<http://webstore.iec.ch>" in the data related to the specific publication. At this date, the publication will be

- reconfirmed,
- withdrawn,
- replaced by a revised edition, or
- amended.

NOTE The attention of National Committees is drawn to the fact that equipment manufacturers and testing organizations may need a transitional period following publication of a new, amended or revised IEC publication in which to make products in accordance with the new requirements and to equip themselves for conducting new or revised tests.

It is the recommendation of the committee that the content of this publication be adopted for national implementation not earlier than 12 months from the date of publication.

**IMPORTANT – The “colour inside” logo on the cover page of this publication indicates that it contains colours which are considered to be useful for the correct understanding of its contents. Users should therefore print this publication using a colour printer.**

## INTRODUCTION

This part of IEC 61643 addresses safety and performance tests for surge protective devices (SPDs).

There are three classes of tests:

The Class I test is intended to simulate partial conducted lightning current impulses. SPDs subjected to Class I test methods are generally recommended for locations at points of high exposure, e.g., line entrances to buildings protected by lightning protection systems.

SPDs tested to Class II or III test methods are subjected to impulses of shorter duration.

SPDs are tested on a “black box” basis as far as possible.

IEC 61643-12 addresses the selection and application principles of SPDs in practical situations.

## LOW-VOLTAGE SURGE PROTECTIVE DEVICES –

### Part 11: Surge protective devices connected to low-voltage power systems – Requirements and test methods

#### 1 Scope

This part of IEC 61643 is applicable to devices for surge protection against indirect and direct effects of lightning or other transient overvoltages. These devices are packaged to be connected to 50/60 Hz a.c. power circuits, and equipment rated up to 1 000 V r.m.s. Performance characteristics, standard methods for testing and ratings are established. These devices contain at least one nonlinear component and are intended to limit surge voltages and divert surge currents.

#### 2 Normative references

The following referenced documents are indispensable for the application of this document. For dated references, only the edition cited applies. For undated references, the latest edition of the referenced document (including any amendments) applies.

IEC 60060-1:1989, *High-voltage test techniques – Part 1: General definitions and test requirements*

IEC 60112, *Method for the determination of the proof and the comparative tracking indices of solid insulating materials*

IEC 60529, *Degrees of protection provided by enclosures (IP Code)*

IEC 60664-1:2007, *Insulation coordination for equipment within low-voltage systems – Part 1: Principles, requirements and tests*

IEC 60695-2-11:2000, *Fire hazard testing – Part 2-11: Glowing/hot-wire based test methods – Glow-wire flammability test method for end-products*

IEC 61000 (all parts), *Electromagnetic compatibility (EMC)*

IEC 61180-1, *High-voltage test techniques for low voltage equipment – Part 1: Definitions, test and procedure requirements*

#### 3 Terms, definitions and abbreviations

For the purposes of this document, the following terms, definitions and abbreviations apply.

### 3.1 Terms and definitions

#### 3.1.1

##### **surge protective device**

##### **SPD**

device that contains at least one nonlinear component that is intended to limit surge voltages and divert surge currents

NOTE An SPD is a complete assembly, having appropriate connecting means.

#### 3.1.2

##### **one-port SPD**

SPD having no intended series impedance

NOTE A one port SPD may have separate input and output connections.

#### 3.1.3

##### **two-port SPD**

SPD having a specific series impedance connected between separate input and output connections

#### 3.1.4

##### **voltage switching type SPD**

SPD that has a high impedance when no surge is present, but can have a sudden change in impedance to a low value in response to a voltage surge

NOTE Common examples of components used in voltage switching type SPDs are spark gaps, gas tubes and thyristors. These are sometimes called "crowbar type" components.

#### 3.1.5

##### **voltage limiting type SPD**

SPD that has a high impedance when no surge is present, but will reduce it continuously with increased surge current and voltage

NOTE Common examples of components used in voltage limiting type SPDs are varistors and avalanche breakdown diodes. These are sometimes called "clamping type" components.

#### 3.1.6

##### **combination type SPD**

SPD that incorporates both, voltage switching components and voltage limiting components. The SPD may exhibit voltage switching, limiting or both

#### 3.1.7

##### **short-circuiting type SPD**

SPD tested according to Class II tests which changes its characteristic to an intentional internal short-circuit due to a surge current exceeding its nominal discharge current  $I_n$

#### 3.1.8

##### **mode of protection of an SPD**

an intended current path, between terminals that contains protective components, e.g. line-to-line, line-to-earth, line-to-neutral, neutral-to-earth.

#### 3.1.9

##### **nominal discharge current for class II test**

$I_n$

crest value of the current through the SPD having a current waveshape of 8/20

**3.1.10**  
**impulse discharge current for class I test**

$I_{imp}$

crest value of a discharge current through the SPD with specified charge transfer  $Q$  and specified energy  $W/R$  in the specified time

**3.1.11**  
**maximum continuous operating voltage**

$U_C$

maximum r.m.s. voltage, which may be continuously applied to the SPD's mode of protection

NOTE The  $U_C$  value covered by this standard may exceed 1 000 V.

**3.1.12**  
**follow current**

$I_f$

peak current supplied by the electrical power system and flowing through the SPD after a discharge current impulse

**3.1.13**  
**rated load current**

$I_L$

maximum continuous rated r.m.s. current that can be supplied to a resistive load connected to the protected output of an SPD

**3.1.14**  
**voltage protection level**

$U_p$

maximum voltage to be expected at the SPD terminals due to an impulse stress with defined voltage steepness and an impulse stress with a discharge current with given amplitude and waveshape

NOTE The voltage protection level is given by the manufacturer and may not be exceeded by:

- the measured limiting voltage, determined for front-of-wave sparkover (if applicable) and the measured limiting voltage, determined from the residual voltage measurements at amplitudes corresponding to  $I_n$  and/or  $I_{imp}$  respectively for test classes II and/or I;
- the measured limiting voltage at  $U_{OC}$ , determined for the combination wave for test class III.

**3.1.15**  
**measured limiting voltage**

highest value of voltage that is measured across the terminals of the SPD during the application of impulses of specified waveshape and amplitude

**3.1.16**  
**residual voltage**

$U_{res}$

crest value of voltage that appears between the terminals of an SPD due to the passage of discharge current

**3.1.17**  
**temporary overvoltage test value**

$U_T$

test voltage applied to the SPD for a specific duration  $t_T$ , to simulate the stress under TOV conditions

**3.1.18**  
**load-side surge withstand capability for a two-port SPD**

ability of a two-port SPD to withstand surges on the output terminals originating in circuitry downstream of the SPD

**3.1.19****voltage rate-of-rise of a two-port SPD**

rate of change of voltage with time measured at the output terminals of a two port SPD under specified test conditions

**3.1.20****1,2/50 voltage impulse**

voltage impulse with a nominal virtual front time of 1,2  $\mu\text{s}$  and a nominal time to half-value of 50  $\mu\text{s}$

NOTE The Clause 6 of IEC 60060-1 (1989) defines the voltage impulse definitions of front time, time to half-value and waveshape tolerance.

**3.1.21****8/20 current impulse**

current impulse with a nominal virtual front time of 8  $\mu\text{s}$  and a nominal time to half-value of 20  $\mu\text{s}$

NOTE The Clause 8 of IEC 60060-1 (1989) defines the current impulse definitions of front time, time to half-value and waveshape tolerance.

**3.1.22****combination wave**

a wave characterized by defined voltage amplitude ( $U_{OC}$ ) and waveshape under open-circuit conditions and a defined current amplitude ( $I_{CW}$ ) and waveshape under short-circuit conditions

NOTE The voltage amplitude, current amplitude and waveform that is delivered to the SPD are determined by the combination wave generator (CWG) impedance  $Z_f$  and the impedance of the DUT.

**3.1.23****open circuit voltage**

$U_{OC}$

open circuit voltage of the combination wave generator at the point of connection of the device under test

**3.1.24****combination wave generator short-circuit current**

$I_{CW}$

prospective short-circuit current of the combination wave generator, at the point of connection of the device under test

NOTE When the SPD is connected to the combination wave generator, the current that flows through the device is generally less than  $I_{CW}$ .

**3.1.25****thermal stability**

SPD is thermally stable if, after heating up during the operating duty test, its temperature decreases with time while energized at specified maximum continuous operating voltage and at specified ambient temperature conditions

**3.1.26****degradation (of performance)**

undesired permanent departure in the operational performance of equipment or a system from its intended performance

**3.1.27****short-circuit current rating**

$I_{SCCR}$

maximum prospective short-circuit current from the power system for which the SPD, in conjunction with the disconnector specified, is rated

### 3.1.28

#### **SPD disconnecter (disconnecter)**

device for disconnecting an SPD, or part of an SPD, from the power system

NOTE This disconnecting device is not required to have isolating capability for safety purposes. It is to prevent a persistent fault on the system and is used to give an indication of an SPD's failure. Disconnectors can be internal (built in) or external (required by the manufacturer). There may be more than one disconnector function, for example an over-current protection function and a thermal protection function. These functions may be in separate units.

### 3.1.29

#### **degree of protection of enclosure**

##### **IP**

classification preceded by the symbol IP indicating the extent of protection provided by an enclosure against access to hazardous parts, against ingress of solid foreign objects and possibly harmful ingress of water

### 3.1.30

#### **type test**

conformity test made on one or more items representative of the production

[IEC 60050-151:2001, 151-16-16]

### 3.1.31

#### **routine test**

test made on each SPD or on parts and materials as required to ensure that the product meets the design specifications

[IEC 60050-151:2001, 151-16-17, modified]

### 3.1.32

#### **acceptance tests**

contractual test to prove to the customer that the item meets certain conditions of its specification

[IEC 60050-151:2001, 151-16-23]

### 3.1.33

#### **decoupling network**

an electrical circuit intended to prevent surge energy from being propagated to the power network during energized testing of SPDs

NOTE This electrical circuit is sometimes called a "back filter".

### 3.1.34

#### **Impulse test classification**

##### **3.1.34.1**

###### **class I tests**

tests carried out with the impulse discharge current  $I_{imp}$ , with an 8/20 current impulse with a crest value equal to the crest value of  $I_{imp}$ , and with a 1,2/50 voltage impulse

##### **3.1.34.2**

###### **class II tests**

tests carried out with the nominal discharge current  $I_n$ , and the 1,2/50 voltage impulse

##### **3.1.34.3**

###### **class III tests**

tests carried out with the 1,2/50 voltage - 8/20 current combination wave generator



**3.1.35****residual current device****RCD**

switching device or associated devices intended to cause the opening of the power circuit when the residual or unbalance current attains a given value under specified conditions

**3.1.36****sparkover voltage of a voltage switching SPD****trigger voltage of a voltage switching SPD**

maximum voltage value at which the sudden change from high to low impedance starts for a voltage switching SPD

**3.1.37****specific energy for class I test** **$W/R$** 

energy dissipated by a unit resistance of  $1 \Omega$  with the impulse discharge current  $I_{imp}$

NOTE This is equal to the time integral of the square of the current ( $W/R = \int i^2 dt$ ).

**3.1.38****prospective short-circuit current of a power supply** **$I_P$** 

current which would flow at a given location in a circuit if it were short-circuited at that location by a link of negligible impedance

NOTE This prospective symmetrical current is expressed by its rms value.

**3.1.39****follow current interrupt rating** **$I_{fi}$** 

prospective short-circuit current that an SPD is able to interrupt without operation of a disconnector

**3.1.40****residual current** **$I_{PE}$** 

current flowing through the PE terminal of the SPD while energized at the reference test voltage ( $U_{REF}$ ) when connected according to the manufacturer's instructions

**3.1.41****status indicator**

device that indicates the operational status of an SPD, or a part of an SPD.

NOTE Such indicators may be local with visual and/or audible alarms and/or may have remote signalling and/or output contact capability.

**3.1.42****output contact**

contact included in a circuit separate from the main circuit of an SPD, and linked to a disconnector or status indicator

**3.1.43****multipole SPD**

type of SPD with more than one mode of protection, or a combination of electrically interconnected SPDs offered as a unit

### 3.1.44 total discharge current

$I_{\text{Total}}$

current which flows through the PE or PEN conductor of a multipole SPD during the total discharge current test

NOTE 1 The aim is to take into account cumulative effects that occur when multiple modes of protection of a multipole SPD conduct at the same time.

NOTE 2  $I_{\text{Total}}$  is particularly relevant for SPDs tested according to test class I, and is used for the purpose of lightning protection equipotential bonding according to IEC 62305 series.

### 3.1.45 reference test voltage

$U_{\text{REF}}$

r.m.s. value of voltage used for testing which depends on the mode of protection of the SPD, the nominal system voltage, the system configuration and the voltage regulation within the system

NOTE The reference test voltage is selected from Annex A based on the information given by the manufacturer according to 7.1.1 b8).

### 3.1.46 transition surge current rating for short-circuiting type SPD

$I_{\text{trans}}$

8/20 impulse current value exceeding the nominal discharge current  $I_n$ , that will cause a short-circuiting type SPD to short-circuit

### 3.1.47 Voltage for clearance determination

$U_{\text{max}}$

highest measured voltage during surge applications according 8.3.3 for clearance determination

### 3.1.48 maximum discharge current

$I_{\text{max}}$

crest value of a current through the SPD having an 8/20 waveshape and magnitude according to the manufacturers specification.  $I_{\text{max}}$  is equal to or greater than  $I_n$

## 3.2 Abbreviations

The Table 1 below provides the list of abbreviations used in this standard.

Table 1 – List of Abbreviations

Abbreviation	Description	Definition/clause
<b>General abbreviations</b>		
ABD	avalanche breakdown device	7.2.5.2
CWG	combination wave generator	3.1.22
RCD	residual current device	3.1.35
DUT	device under test	General
IP	degree of protection of enclosure	3.1.29
TOV	temporary overvoltage	General
SPD	surge protective device	3.1.1
$k$	trip current factor for overload behaviour	Table 20
$Z_f$	fictive impedance (of combination wave generator)	8.1.4 c)
$W/R$	specific energy for class I test	3.1.37
$T1$ , $T2$ , and/or $T3$	product marking for test classes I, II and/or III	7.1.1
$t_T$	TOV application time for testing	3.1.17
<b>Abbreviations related to voltage</b>		
$U_C$	maximum continuous operating voltage	3.1.11
$U_{REF}$	Reference test voltage	3.1.45
$U_{OC}$	open circuit voltage of the combination wave generator	3.1.22, 3.1.23
$U_p$	voltage protection level	3.1.14
$U_{res}$	residual voltage	3.1.16
$U_{max}$	voltage for clearance determination	3.1.47
$U_T$	temporary overvoltage test value	3.1.17
<b>Abbreviations related to current</b>		
$I_{imp}$	impulse discharge current for class I test	3.1.10
$I_{max}$	maximum discharge current	3.1.48
$I_n$	nominal discharge current for class II test	3.1.9
$I_f$	follow current	3.1.12
$I_{fi}$	follow current interrupt rating	3.1.39
$I_L$	rated load current	3.1.13
$I_{CW}$	short-circuit current of the combination wave generator	3.1.24
$I_{SCCR}$	short-circuit current rating	3.1.27
$I_P$	prospective short-circuit current of the power supply	3.1.38
$I_{PE}$	residual current at $U_{REF}$	3.1.40
$I_{Total}$	total discharge current for multipole SPD	3.1.44
$I_{trans}$	transition surge current rating for short-circuiting type SPD	3.1.46

## 4 Service conditions

### 4.1 Frequency

Frequency range is from 47 Hz to 63 Hz a.c.

### 4.2 Voltage

The voltage applied continuously between the terminals of the surge protective device (SPD) must not exceed its maximum continuous operating voltage  $U_C$ .

### 4.3 Air pressure and altitude

Air pressure is 80 kPa to 106 kPa. These values represent an altitude of +2 000 m to -500 m, respectively.

### 4.4 Temperatures

- normal range: –5 °C to +40 °C

NOTE This range addresses SPDs for indoor use in weather-protected locations having neither temperature nor humidity control and corresponds to the characteristics of external influences code AB4 in IEC 60364-5-51.

- extended range: –40 °C to +70 °C

NOTE This range addresses SPDs for outdoor use in non weather protected locations.

### 4.5 Humidity

- normal range: 5 % to 95 %

NOTE This range addresses SPDs for indoor use in weather-protected locations having neither temperature nor humidity control and corresponds to the characteristics of external influences code AB4 in IEC 60364-5-51.

- extended range: 5 % to 100 %

NOTE This range addresses SPDs for outdoor use in non weather protected locations.

## 5 Classification

The manufacture shall classify the SPDs in accordance with the following parameters.

### 5.1 Number of ports

#### 5.1.1 One

#### 5.1.2 Two

### 5.2 SPD design

#### 5.2.1 Voltage switching

#### 5.2.2 Voltage limiting

#### 5.2.3 Combination

### 5.3 Class I, II and III tests

Information required for class I, class II and class III tests is given in Table 2.

**Table 2 – Class I, II and III tests**

Tests	Required information	Test procedures (see subclauses)
Class I	$I_{imp}$	8.1.1; 8.1.2; 8.1.3
Class II	$I_n$	8.1.2; 8.1.3
Class III	$U_{oc}$	8.1.4; 8.1.4.1

**5.4 Location****5.4.1 Indoor**

SPDs intended for use in enclosures and/or inside buildings or shelters.

SPDs installed in outdoor enclosures or shelters are considered for indoor use.

**5.4.2 Outdoor**

SPDs intended for use without enclosures and outside of buildings or shelters (e.g. on low voltage overhead lines).

**5.5 Accessibility****5.5.1 Accessible**

An SPD which can be fully or partly touched by an unskilled person, without the use of a tool to open any covers or enclosures, once installed.

**5.5.2 Inaccessible**

An SPD which cannot be touched by an unskilled person either due to being mounted out of reach (e.g. mounted on overhead lines) or due to being located within enclosures which can only be opened by using a tool, once installed.

**5.6 Mounting method****5.6.1 Fixed****5.6.2 Portable****5.7 Disconnectors (including overcurrent protection)****5.7.1 Location****5.7.1.1 Internal****5.7.1.2 External****5.7.1.3 Both (internal and external)****5.7.2 Protection functions****5.7.2.1 Thermal****5.7.2.2 Leakage current****5.7.2.3 Overcurrent****5.8 Degree of protection provided by enclosures**

According to IP code of IEC 60529.

**5.9 Temperature and humidity range**

**5.9.1 Normal**

**5.9.2 Extended**

**5.10 Power system**

**5.10.1 AC between 47 Hz and 63 Hz**

**5.10.2 AC other than the range of 47 Hz to 63 Hz**

This may require additional and/or modified test procedures.

**5.11 Multipole SPD**

**5.12 SPD failure behaviour**

**5.12.1 open circuit (standard type SPD)**

**5.12.2 short-circuit (short-circuiting type SPD)**

**6 Preferred values for SPD**

NOTE Preferred values means values which are often used in practice. Depending on real conditions lower and in some cases higher values may be needed.

**6.1 Preferred values of impulse discharge current  $I_{imp}$  for class I tests**

$I_{imp}$	1;	2;	5;	10;	12,5;	20	and 25 kA
Q	0,5;	1;	2,5;	5;	6,25;	10	and 12,5 As
W/R	0,25;	1,0;	6,25;	25;	39;	100	and 156 kJ/ $\Omega$

**6.2 Preferred values of nominal discharge current for class II tests  $I_n$**

0,05;	0,1;	0,25;	0,5;	1,0;	1,5;	2,0;	2,5;	3,0;	5,0;	10;	15 and 20 kA
-------	------	-------	------	------	------	------	------	------	------	-----	--------------

**6.3 Preferred values of open-circuit voltage for class III tests  $U_{oc}$**

0,1;	0,2;	0,5;	1;	2;	3;	4;	5;	6;	10 and 20 kV
------	------	------	----	----	----	----	----	----	--------------

**6.4 Preferred values of voltage protection level  $U_p$**

0,08;	0,09;	0,10;	0,12;	0,15;	0,22;	0,33;	0,4;	0,5;	0,6;	0,7;	0,8;	0,9;
1,0;	1,2;	1,5;	1,8;	2,0;	2,5;	3,0;	4,0;	5,0;	6,0;	8,0 and 10 kV		

**6.5 Preferred values of r.m.s. maximum continuous operating voltage  $U_c$**

45;	52;	63;	75;	85;	95;	110;	130;	150;	175;	220;	230;	240;
255;	260;	275;	280;	320;	335;	350;	385;	400;	420;	440;	460;	510
530;	600;	635;	660;	690;	800;	900;	1 000;	1 500;	1 800 and 2 000 V			

## 7 Requirements

### 7.1 General requirements

#### 7.1.1 Identification

The following information shall be provided by the manufacturer.

#### **Markings which are mandatory on the body, or permanently attached to the body, of the SPD:**

- a1) Manufacturer's name or trademark and model number
- a2) Maximum continuous operating voltage  $U_c$  (one value for each mode of protection)
- a3) Type of current: a.c. or “~” and/or frequency
- a4) Test classification and discharge parameters shall be printed next to each other for each mode of protection declared by the manufacturer:

For test class I:

either “test class I” and “ $I_{imp}$ ” and the value in kA,  
and/or “T1” (T1 in a square) and “ $I_{imp}$ ” and the value in kA

For test class II:

either “test class II” and “ $I_n$ ” and the value in kA,  
and/or “T2” (T2 in a square) and “ $I_n$ ” and the value in kA

For test class III:

either “test class III” and “ $U_{oc}$ ” and the value in kV,  
and/or “T3” (T3 in a square) and “ $U_{oc}$ ” and the value in kV.

- a5) Voltage protection level  $U_p$  (one value for each mode of protection)
- a6) Degree of protection provided by the enclosure (IP code) if >IP20
- a7) Identification of terminals or leads (if not otherwise identified on the devices)
- a8) Rated load current  $I_L$  for two port SPDs and for one port SPDs with separate input and output terminals.

Where space does not allow all the above markings to be placed, the manufacturer's name or trademark and model number is sufficient on the SPD; other remaining required markings shall appear on the installation instruction.

An SPD may be classified according to more than one test class (e.g. test class I (T1) and test class II (T2)). In this case, the tests required for all declared test classes shall be performed. If in such case the manufacturer declares only one protection level, the highest protection level shall appear in the marking.

#### **Information which shall be provided with the products to be delivered:**

- b1) Location (See 5.4)
- b2) Number of ports
- b3) Method of mounting
- b4) Short-circuit current rating  $I_{SCCR}$  (exemptions see 7.2.5.3)
- b5) Ratings and characteristics for external disconnectors, if required.
- b6) Indication of disconnector operation (if any)
- b7) Orientation for normal installation, if significant
- b8) Installation instructions
  - type of LV systems (TN-system, TT-system, IT-system)

- intended connection (line to neutral, line to ground, neutral to ground, line to line)
  - nominal a.c. system voltages and maximum allowed voltage regulation for which the SPD is designed, mechanical dimensions, lead lengths, etc.
- b9) Temperature and humidity range (see 4.4 and 4.5)
- b10) Follow current interrupt rating  $I_{fi}$  (except in the case of voltage-limiting SPDs)
- b11) Residual current  $I_{PE}$
- b12) Transition surge current rating for short-circuiting type SPD  $I_{trans}$
- b13) The minimum distance from any earthed conductive surface at which the SPD can be installed
- b14)  $I_{MAX}$ , (optional).

**Information which shall be available in a product datasheet:**

- c1) Temporary overvoltage rating  $U_T$  and/or the type(s) of power system(s) the SPD is designed for according to Annex B and corresponding connection details
- c2) Total discharge current  $I_{Total}$  for multipole SPDs (if declared by the manufacturer) and the corresponding test class
- c3) Voltage drop for two port SPDs
- c4) Load-side surge withstand capability for two-port SPDs (if declared by the manufacturer)
- c5) Information about replaceable parts (indicators, fuses, etc. if applicable)
- c6) Voltage rate of rise  $du/dt$  (if declared by the manufacturer)
- c7) Current factor  $k$ , if different from Table 20
- c8) Modes of protection (for SPDs with more than one mode of protection)

**Information which shall be provided by the manufacturer for type testing:**

- d1) Presence of switching component(s) (see Annex C)
- d2) Follow current to be expected during preconditioning test ( $\leq 500$  A or  $> 500$  A - see Annex C)
- d3) If the status indication circuitry does not use certified components operated within their ratings, the manufacturer shall provide the appropriate testing standards for the specific component to allow it to be tested.
- d4) Isolation and dielectric withstand of separate isolated circuits
- d5) prospective short-circuit current for conditioning according 8.3.5.3.2

Compliance is checked by visual inspection.

### 7.1.2 Marking

Markings on the device shall be indelible and legible and shall not be placed on screws or removable parts.

NOTE A plug-in SPD module is not considered a removable part.

Compliance is checked by the test in accordance with 8.2.

## 7.2 Electrical requirements

### 7.2.1 Protection against direct contact

These requirements are valid for accessible SPDs where the maximum continuous operating voltage  $U_C$  is above 50 V r.m.s.



For protection against direct contact (inaccessibility of live parts), SPDs shall be designed in such a way that live parts cannot be touched when the SPD is installed for the intended use.

SPDs, except SPDs classified for mounting out-of-reach-only, shall be so designed that, when they are wired and mounted as for normal use, live parts are not accessible, even after removal of parts which can be removed without the use of a tool.

The connection between the earthing terminals and all accessible parts connected thereto shall be of low resistance.

Compliance is checked by the tests according IEC 60529 and according 8.3.1.

### **7.2.2 Residual current $I_{PE}$**

For all SPDs with a terminal for the protective conductor, the residual current  $I_{PE}$  shall be measured when all SPD terminals are connected to a power supply at the reference test voltage ( $U_{REF}$ ) according to the manufacturer's instructions.

Compliance is checked by the test according 8.3.2

### **7.2.3 Voltage protection level $U_p$**

The measured limiting voltage of the SPDs shall not exceed the voltage protection level that is specified by the manufacturer.

Compliance is checked by the test in accordance with 8.3.3.

### **7.2.4 Operating duty**

The SPD shall be capable of withstanding specified discharge currents during application of the maximum continuous operating voltage  $U_c$  without unacceptable changes in its characteristics.

Compliance is checked by the test in accordance with 8.3.4.

### **7.2.5 Disconnectors and status indicators**

#### **7.2.5.1 Disconnectors**

The SPD shall have disconnectors (which can be either internal, external or both), except SPDs for connection N-PE in TN and/or TT systems only. Their operation shall be indicated by a corresponding status indicator.

The required behaviour of the disconnectors during and after various type tests is given in Table 3.

Table 3 provides information on the inclusion of disconnectors during the various type tests. The required behaviour of disconnectors during and after various type tests is given by pass criteria **F**, **G**, **H** and **J** of Table 4, and is checked by the tests in accordance with 8.3.5.

#### **7.2.5.2 Thermal protection**

SPDs shall be protected against overheating due to degradation or overstress.

This test is not performed on SPDs containing only voltage switching components and/or ABD devices.

Compliance is checked by the test in accordance with 8.3.5.2.

### 7.2.5.3 Short-circuit current behaviour

An SPD shall fail without causing a hazardous condition or withstand the prospective short-circuit currents of the power system that may occur during an SPD failure.

Compliance is checked by the test in accordance with 8.3.5.3, 8.3.5.3.1 and 8.3.5.3.2.

The test according 8.3.5.3.1 is only performed if the declared follow current interrupt rating  $I_{fi}$  is smaller than the test current.

These tests are not performed on SPDs classified for outdoor use and for mounting out of reach and for SPDs for connection N-PE in TN and/or TT systems only.

### 7.2.5.4 Status indicators

The manufacturer shall provide information about the function of the indicator and the actions to be taken after change of status indication.

A status indicator may be composed of two parts (one of which is not replaced on replacement of the SPD), linked by a coupling mechanism which can be mechanical, optical, audio, electromagnetic, etc. The part of the status indicator which is not replaced shall be capable of operating at least 50 times.

NOTE The action of the coupling mechanism which operates the non-replaced part of the status indicator may be simulated by means other than operation of the section within the replaced part of the SPD, e.g. a separate electromagnet or a spring.

Where there is an appropriate standard for the type of indication used, this shall be met by the non-replaced part of the status indicator, with the exception that the indicator need only be tested for 50 operations.

### 7.2.6 Insulation resistance

The insulation resistance of the SPD shall be sufficient with respect to leakage currents and protection against direct contact.

Compliance is checked by the test in accordance with 8.3.6.

### 7.2.7 Dielectric withstand

The dielectric withstand of the SPD shall be sufficient with respect to insulation breakdown and protection against direct contact.

Compliance is checked by the test in accordance with 8.3.7.

### 7.2.8 Behaviour under temporary overvoltages

An SPD shall pass the TOV-tests according 8.3.8.1 and 8.3.8.2 and shall fulfil the pass criteria according to the relevant tables in Annex B and according 8.3.8.1 and 8.3.8.2.

NOTE 1 The tests given in 8.3.8.1 and 8.3.8.2 do not take into account the possibility of a surge occurring simultaneously with a TOV event.

SPD shall withstand the overvoltages caused by faults or disturbances in the high voltage system or fail in manner not creating a hazard.

SPDs, for which the manufacturer declares in his installation instructions that they may be installed in TT-systems between neutral and PE upstream the main RCD, shall pass the TOV withstand mode criteria given 8.3.8.2.

NOTE 2 This covers the application described in 534.2.3.3 of IEC 60364-5-53.

### **7.2.8.1 TOVs caused by faults or disturbances in the low voltage system**

For SPDs with a  $U_C$  greater than or equal to  $U_T$  there is no need to perform this test.

This test shall be performed in accordance with 8.3.8.1.

### **7.2.8.2 TOVs caused by faults in the high (medium) voltage system**

For SPDs with a  $U_C$  greater than or equal to  $U_T$  there is no need to perform this test.

Compliance is checked by the test in accordance with 8.3.8.2.

## **7.3 Mechanical requirements**

### **7.3.1 Mounting**

SPDs shall be provided with appropriate means for mounting that will ensure mechanical stability.

Mechanical coding/interlock shall be provided to prevent incorrect combinations of plug-in SPD modules and sockets.

Compliance is checked by visual inspection.

### **7.3.2 Screws, current carrying parts and connections**

Compliance is accordance with 8.4.1 and checked by inspection and trial mounting.

### **7.3.3 External connections**

Electrical connections shall be possible using one of the following means:

- screw terminals and bolted connections;
- screwless terminals;
- insulation piercing connections;
- flat quick connect terminations;
- flying leads;
- other equally effective means;

or

- standardised plugs and/or sockets.

The following requirements do not apply to standardised plugs and/or sockets:

Terminals shall be designed for the connection of cables having a minimum and a maximum cross-sectional area according to 8.4.2.

Terminals shall be fastened to the SPD in such a way that they will not work loose if the clamping screws or the lock nuts are tightened or loosened. A tool shall be required to loosen the clamping screws or the lock nuts.

- a) Terminals for external conductors shall be such that the conductors may be connected so as to ensure that the necessary contact pressure is maintained permanently. The terminals shall be readily accessible under the intended conditions of use.

- b) The means for clamping the conductors in the terminals shall not serve to fix any other component, although they may hold the terminals in place or prevent them from turning.
- c) Terminals shall have adequate mechanical strength.
- d) Terminals shall be so designed that they clamp the conductor without undue damage to the conductor.
- e) Terminals shall be so designed that they clamp the conductor reliably and between metal surfaces.
- f) Terminals shall be so designed or positioned that neither a rigid solid conductor nor a wire of a stranded conductor can slip out while the clamping screws or nuts are tightened.

#### **7.3.3.1 Screw terminals**

- a) Screws and nuts for clamping the conductors shall have a metric ISO thread or a thread comparable in pitch and mechanical strength.

NOTE SI, BA and UN threads may be used as they are virtually equivalent in pitch and mechanical strength to metric ISO threads.

- b) Terminals shall be so fixed or located that, when the clamping screws or nuts are tightened or loosened, the terminals shall not work loose from their fixings to the SPDs.

These requirements do not imply that the terminals shall be so designed that their rotation or displacement is prevented, but any movement shall be sufficiently limited so as to prevent non-compliance with the requirements of this standard.

The use of sealing compound or resin is considered to be sufficient for preventing a terminal from working loose, provided that:

- the sealing compound or resin is not subject to stress during normal use, and
  - the effectiveness of the sealing compound or resin is not impaired by temperatures attained by the terminal under the least favourable conditions specified in this standard.
- c) Clamping screws or nuts of terminals intended for the connection of protective conductors shall be adequately secured against accidental loosening.
  - d) Screws shall not be made of metal that is soft or liable to creep, such as zinc or aluminium

Compliance is checked by inspection and by the tests in accordance with 8.4.2.1.

#### **7.3.3.2 Screwless terminals**

Terminals shall be so designed and constructed that:

- a) each conductor is clamped individually. During the connection or disconnection the conductors can be connected or disconnected either at the same time or separately,
- b) it is possible to clamp securely any number of conductors up to the maximum provided.

Compliance is checked by inspection and by the tests in accordance with 8.4.2.2.

#### **7.3.3.3 Insulation piercing connections**

Compliance is checked by inspection and by the tests in accordance with 8.4.2.3.

#### **7.3.3.4 Flat quick connect terminations**

Compliance is checked by inspection and by the tests in accordance with 8.4.2.4 (under consideration).

#### **7.3.3.5 Pigtail connections (flying leads)**

Compliance is checked by inspection and by the tests in accordance with 8.4.2.5.

#### **7.3.3.6 Standardised plugs and/or socket outlets**

Plugs and socket outlets shall correspond to the relevant international or national requirements (e.g. IEC 60884-1, IEC 60320-series).

#### **7.3.4 Air clearances and creepage distances**

The SPD shall have sufficient air clearances and creepage distances.

Compliance is checked by the test in accordance with 8.4.3.

#### **7.3.5 Mechanical strength**

All parts of the SPD relating to the protection against direct contact shall have sufficient mechanical strength.

Compliance is checked by the test in accordance with 8.4.4.

### **7.4 Environmental and material requirements**

SPDs shall operate satisfactorily under the service conditions specified in accordance with Clause 4.

#### **7.4.1 Protection provided by enclosure (IP code)**

SPDs shall be provided with an enclosure for protection against ingress of solid objects and water in accordance with the IP code declared by the manufacturer.

Compliance is checked by inspection and by the tests in accordance with 8.5.1.

#### **7.4.2 Heat resistance**

SPDs shall be sufficiently resistant to heat.

Compliance is checked by the tests in accordance with 8.3.5.1, 8.5.2 and 8.5.3.

#### **7.4.3 Fire resistance**

Insulating parts of the housing shall be either non-flammable or self-extinguishing.

Compliance is checked by the test in accordance with 8.5.4.

#### **7.4.4 Tracking resistance**

The tracking index of insulating materials, which may create a conductive path between electrical connections, are checked by the test in accordance with 8.5.5.

Testing is not necessary if the creepage distances are greater or equal to double the values indicated in 8.4.3 or in case of insulating materials made out of ceramic, mica or similar materials.

## **7.4.5 Electromagnetic compatibility**

### **7.4.5.1 Electromagnetic immunity**

SPDs either incorporating no electronic circuits or incorporating electronic circuits in which all components are passive (for example diodes, resistors, capacitors, inductors, varistors and other surge protective components) are not sensitive to electromagnetic disturbances expected under normal service conditions and therefore no immunity tests are required. For SPDs containing sensitive electronic circuits, refer to IEC 61000 series.

### **7.4.5.2 Electromagnetic emission**

For SPDs not incorporating electronic circuits, or incorporating electronic circuits that do not generate fundamental frequencies greater than 9 kHz in normal operation, electromagnetic disturbances can only be generated during protective operations. The duration of these disturbances is in the order of microseconds to milliseconds.

The frequency, level and the consequences of these emissions are considered as part of the normal electromagnetic environment of low-voltage installations. Therefore, the requirements for electromagnetic emissions are deemed to be satisfied and no verification is necessary.

For SPDs containing electronic circuits that perform a switching function operating at a frequency of 9 kHz or greater, refer to IEC 61000 series.

## **7.5 Additional requirements for specific SPD designs**

### **7.5.1 Two port SPDs and one port SPDs with separate input/output terminals**

#### **7.5.1.1 Rated load current $I_L$**

The manufacturer shall declare the rated load current.

Compliance is checked by the test in accordance with 8.6.1.1.

#### **7.5.1.2 Overload behaviour**

The SPD shall not be damaged or altered by overloads, which may occur in normal use.

Compliance with this requirement is checked according to 8.6.1.2.

#### **7.5.1.3 Load-side short-circuit rating**

The SPD shall be able to carry the currents caused by a power short-circuit on the load side until it is interrupted either by the SPD itself or by an internal or external disconnecter.

Compliance is checked by the test in accordance with 8.6.1.3.

### **7.5.2 Environmental tests for outdoor SPDs**

Outdoor SPDs shall be sufficiently resistant to UV radiation and corrosion.

For proposed test procedures refer to 8.6.2 and Annex F.

### **7.5.3 SPDs with separate isolated circuits**

Where a SPD includes a circuit that is electrically isolated from the main circuit, the manufacturer shall provide information about the isolation and dielectric withstand voltages between the circuits as well as the relevant standards that the manufacturer is claiming conformity with.

Where there are more than two circuits, declarations shall be made with regard to each combination of circuits.

The isolation and dielectric withstand between the main circuits and separate isolated circuits shall be tested according to 8.3.6 and 8.3.7.

#### **7.5.4 Short-circuiting type SPDs**

These SPDs shall be capable of withstanding a short-circuit current test at their declared short-circuit current rating after having been overstressed by a surge current according to their transition surge rating  $I_{trans}$ .

Compliance is checked in accordance with 8.6.4

### **7.6 Additional requirements as may be declared by the manufacturer**

#### **7.6.1 One-port and two-port SPDs**

##### **7.6.1.1 Total Discharge Current $I_{Total}$ (for multipole SPDs)**

This test is only conducted if the manufacturer claims a total discharge current. Compliance is checked in accordance with 8.7.1.

#### **7.6.2 Two port SPDs only**

##### **7.6.2.1 Voltage drop**

The voltage drop shall be checked in accordance with 8.7.2.

##### **7.6.2.2 Load-side surge withstand capability**

If the manufacturer declares a load-side surge withstand capability then compliance is checked in accordance with 8.7.3.

##### **7.6.2.3 Voltage rate of rise $du/dt$**

If the manufacturer declares a  $du/dt$  value for a two port SPD containing a filtering device, this value shall be tested in accordance with 8.7.4.

## **8 Type tests**

Type tests are carried out as indicated in Table 3 on three samples per test sequence. Within any test sequence, the tests shall be carried out in the order given in Table 3. The order in which test sequence are carried out may be varied. Test on terminals shall be performed on three terminal samples for each construction/terminal type. (An SPD with at least three identical terminals fulfils this sample requirement).

A sample has passed a test sequence of Table 3 if all the requirements of the relevant test clauses and the relevant pass criteria are fulfilled.

If all required samples pass a test sequence, the design of the SPD is acceptable for that test sequence. If two or more test samples fail a test sequence, the SPD does not comply with this standard.

In the event that a single sample does not pass a test, this test, and those preceding in the same test sequence that may have influenced the result of this test, shall be repeated with three new samples, but this time no failure of any sample is allowed.

A set of three samples may be used for more than one test sequence, if agreed by the manufacturer.

NOTE For short-circuit current behaviour according 8.3.5.3 special prepared samples are required.

If the SPD is an integral part of a product covered by another standard, the requirements of the other standard shall apply to those parts of the product, which do not belong to the SPD section of the product. The SPD section shall comply with the general (7.1), the electrical (7.2), the environmental and material (7.4) requirements of this document. The mechanical requirements of other standards shall also be applied to the SPD.

### 8.1 General testing procedures

If not otherwise specified, the reference standard for high voltage test procedures is IEC 61180-1.

Unless otherwise specified, a.c. values given in this standard are r.m.s. values.

The SPD shall be mounted and electrically connected in accordance with the manufacturer's installation procedures. Neither external cooling nor heating shall be employed.

When not otherwise specified, the test shall be performed in free air and the ambient temperature shall be  $20\text{ °C} \pm 15\text{ °C}$ .

If not otherwise specified, for all tests where a power supply at  $U_{REF}$  or  $U_C$  is required, the voltage tolerance for testing shall be  $\begin{matrix} 0 \\ -5 \end{matrix}$  %.

When testing SPDs for which the manufacturer supplies integral cables, the full length of those cables shall form part of the SPD under test.

If not otherwise specified, during the test, no maintenance or dismantling of the SPD is allowed. External disconnectors shall be selected according to the manufacturer's instructions and connected for testing if required according to Table 3.

All tests shall be performed on each mode of protection declared by the manufacturer, however, if some modes of protection have identical circuitry, one single test can be performed on the mode of protection which presents the most vulnerable configuration, using new samples each time.

For multimode devices (e.g. 3 phase SPD) in which the protective component circuitry is identical, the testing of each of the modes (e.g. three phases) can fulfil the three sample requirement.

For SPDs with a designated N terminal which may be applied in systems without distributed neutral according to the manufacturers instructions, separate testing is required for the L-PE mode of protection with the neutral being unconnected.

If the use of tissue paper is required according to Table 3:

- For fixed SPDs: tissue paper shall be fixed at a distance of  $100\text{ mm} \pm 20\text{ mm}$  in all directions of the sample, except the mounting surface.
- For portable SPDs: tissue paper shall be wrapped loosely around on all sides of the SPD including the bottom side.

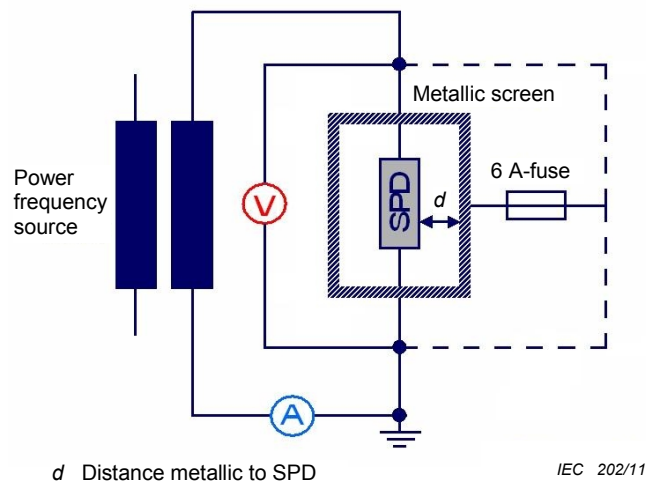
If required according to Table 3, a metallic screen shall be located adjacent to all sides of the SPD at the minimum distance specified in 7.1.1 b13). Details, including distances of the



metallic screen from the SPD, shall be stated in the test report. The characteristics of the metallic screen shall be as follows:

- Structure:
  - Woven wire mesh
  - Perforated metal or expanded metal
- Ratio hole area/total area: 0,45-0,65
- Size of hole not exceeding 30 mm<sup>2</sup>
- Finish: bare or conductive plating
- Resistance: The resistance between the furthest point of the metallic screen and the connection point of the metallic screen shall be sufficiently low not to limit the short-circuit current of the screen circuit

The metallic screen shall be connected via a 6A gL/gG fuse to one of the SPD terminals under test (Figure 1). The connection of the screen shall be changed to the other SPD-terminal after each short-circuit application.



**Figure 1 – Metallic screen test set-up**

If the manufacturer sets different requirements for the external disconnector(s) depending upon the prospective short-circuit current of the supply system, all relevant test sequences shall be performed for every combination of required disconnector(s) and corresponding prospective short-circuit currents.

Throughout the entire type testing procedure, the status shown by the indicator(s) shall give a clear sign of the status of the part to which it is linked. Where there is more than one method of status indication, for example local and remote indication, each type of indication shall be checked.

It should be noted that good testing techniques are required for impulse testing and measurements. This is needed to ensure that correct test values are measured and recorded.

SPDs shall not create any hazard when operated under the test conditions in accordance with this standard.

**Table 3 – Type test requirements for SPDs**

Test sequence	Test description	Subclause requirement/test	External disconnectors connected <sup>a</sup>	Tissue paper used	Metallic screen used	Test class I	Test class II	Test class III
<b>1</b>	Identification and marking	7.1.1/7.1.2/8.2	-	-	-	A	A	A
	Mounting	7.3.1	-	-	-	A	A	A
	Terminals and connections	7.3.2/7.3.3/8.4.2	-	-	-	A	A	A
	Testing for protection against direct contact	7.2.1/8.3.1	-	-	-	A	A	A
	Environment, IP code	7.4.1 / 8.5.1	-	-	-	A	A	A
	Residual current	7.2.2 / 8.3.2	-	-	-	A	A	A
	Operating duty test	7.2.4/8.3.4 <sup>b</sup>						
	Operating duty test for test classes I, II or III	8.3.4.2 / 8.3.4.3/ 8.3.4.5	A	-	-	A	A	A
	Additional duty test for test class I	8.3.4.4	A	-	-	A	-	-
	Thermal stability	7.2.5.2 / 8.3.5.2	A	-	-	A	A	A
	Air clearances and creepage distances	7.3.4 / 8.4.3	-	-	-	A	A	A
	Ball pressure test	7.4.2 / 8.5.3	-	-	-	A	A	A
	Resistance to abnormal heat and fire	7.4.3 / 8.5.4	-	-	-	A	A	A
	Tracking resistance	7.4.4 / 8.5.5	-	-	-	A	A	A
<b>2</b>	Voltage protection level	7.2.3/8.3.3						
	Residual voltage	8.3.3.1	-	-	-	A	A	-
	Front of wave sparkover voltage	8.3.3.2	-	-	-	A	A	-
	Limiting voltage with combination wave	8.3.3.3	-	-	-	-	-	A
<b>2a</b>	See below - only if applicable							
<b>2b</b>	See below - only if applicable							
<b>3</b>	Insulation resistance	7.2.6 / 8.3.6	-	-	-	A	A	A
	Dielectric withstand	7.2.7 / 8.3.7	-	-	-	A	A	A
<b>3a</b>	See below - only if applicable							
	Mechanical strength	7.3.5 / 8.4.4	-	-	-	A	A	A
	Temperature withstand	7.2.5 / 8.3.5.1 <sup>b</sup>	-	-	-	A	A	A
<b>3b<sup>c</sup></b>	See below - only if applicable							
<b>3c</b>	See below - only if applicable							
<b>4<sup>c</sup></b>	Heat resistance	7.4.2 / 8.5.2	-	-	-	A	A	A
	TOV tests	7.2.8 / 8.3.8						
	TOVs caused by faults or disturbances in the low voltage system	7.2.8.1/8.3.8.1 <sup>b</sup>	A	A	-	A	A	A
	TOVs caused by faults in the high (medium) voltage system	7.2.8.2/8.3.8.2 <sup>b</sup>	A	A	-	A	A	A
<b>5<sup>c</sup></b>	Short-circuit current behaviour	7.2.5.3 / 8.3.5.3	A	-	A	A	A	A

Table 3 – Type test requirements for SPDs (continued)

Additional tests for specific SPD designs								
Test sequence	Test description	Subclause requirement/test	External disconnectors connected <sup>a</sup>	Tissue paper used	Metallic screen used	Test class I	Test class II	Test class III
Additional tests for two-port SPDs and one port-SPDs with separate input / output terminals								
3c <sup>c</sup>	Rated load current	7.5.1.1 / 8.6.1.1	A	-	-	A	A	A
	Overload behaviour	7.5.1.2 / 8.6.1.2 <sup>b</sup>	-	-	-	A	A	A
2b	Load side short-circuit current behaviour	7.5.1.3 / 8.6.1.3 <sup>b</sup>	A	-	A	A	A	A
Additional tests if declared by the manufacturer								
3b	Voltage drop	7.6.2.1 / 8.7.2	-	-	-	A	A	A
2a <sup>c</sup>	Load side surge withstand	7.6.2.2 / 8.7.3 <sup>b</sup>	A	-	-	A	A	A
6	Total discharge current test for multipole SPDs	7.6.1.1 / 8.7.1 <sup>b</sup>	-	-	-	A	A	-
Additional tests for outdoor use SPDs								
7	For SPDs classified "outdoor"	7.5.2 / 8.6.2	-	O	-	A	A	-
Additional tests for SPDs with separate isolated circuits								
3a	Isolation between separate circuits	7.5.3/ 8.3.6 / 8.3.7	-	-	-	A	A	A
Additional tests for short-circuiting type SPDs								
8	Change of characteristic procedure (preconditioning to short-circuited condition)	7.5.4 / 8.6.4	-	-	-	-	A	-
	Surge withstand test (in short-circuited condition)	7.5.4 / 8.6.4	-	-	-	-	A	-
	Short-circuit current behaviour (in short-circuited condition)	7.5.4 / 8.6.4	A	-	A	-	A	-
A = applicable - = not applicable O = optional								
<sup>a</sup> external disconnectors connected means that all disconnectors as specified by the manufacturer shall be tested with the SPD during the type tests, except for RCDs, which are not tested during the operating duty test according to 8.3.4.								
<sup>b</sup> For these tests initial measurements of leakage currents according to Table 4, pass criterion E may be necessary.								
<sup>c</sup> For this test sequence more than one set of samples may be needed.								

**Table 4 – Common pass criteria for type tests**

<b>A</b>	Thermal stability shall be achieved. The SPD is considered to be thermally stable if the crest of the resistive component of the current flowing into the SPD or the power dissipation shows either a decreasing tendency or does not increase during 15 min of $U_C$ voltage application immediately after the application of $U_C$ . If the test itself is performed with the SPD energized at $U_C$ , then $U_C$ either remains applied for these 15 min without interruption or is reapplied within less than 30 s.
<b>B</b>	Voltage and current records and visual inspection shall show no indication of puncture or flashover.
<b>C</b>	No visible damage shall occur during the test. After the test, small indents and cracks not impairing the protection against direct contact are disregarded during this check, unless the degree of protection (IP-code) given for the SPD is no longer provided. There shall be no visual evidence of burning of the sample after the test.
<b>D</b>	Values for measured limiting voltage after the test shall be below or equal to $U_P$ . The measured limiting voltage shall be determined, using the tests described in 8.3.3, but the test of 8.3.3.1 is performed only with a 8/20-surge current with a crest value of $I_{imp}$ for Test Class I or with $I_n$ for Test Class II or with the test of 8.3.3.3 but only at $U_{OC}$ for Test class III.
<b>E</b>	<p>No excessive leakage currents shall occur after the test.</p> <p>The SPD shall be connected as for normal use according to the manufacturer's instructions to a power supply at the reference test voltage (<math>U_{REF}</math>). The current that flows through each terminal is measured. Its resistive component (measured at the crest of the sine wave) shall not exceed a value of 1 mA, or the current shall not have changed by more than 20 % compared to the initial value determined at the beginning of the relevant test sequence.</p> <p>Any resettable or rearmable disconnecter shall be switched off manually, if applicable, and the dielectric withstand shall be checked by application of two times <math>U_C</math> or 1 000 V a.c., whichever is greater. During the test, no flashover, breakdown of insulation either internally (puncture) or externally (tracking) or any other manifestation of disruptive discharge shall occur.</p> <p>In addition for SPD modes connected N-PE only the current through the PE-terminal shall be measured, whereas the terminals are connected to a power supply at the maximum continuous operating voltage (<math>U_C</math>). Its resistive component (measured at the crest of the sine wave) shall not exceed a value of 1 mA, or the current shall not have changed by more than 20 % compared to the initial value determined at the beginning of the relevant test sequence.</p> <p>If there is more than one possible connection arrangement for normal use, this check shall be performed for all arrangements.</p>
<b>F</b>	External disconnectors as specified by the manufacturer shall not operate during the test and shall be in working order after the test. For the purpose of this clause, working order means that there is no damage to the disconnector and that it is still operational. Operation can be checked either manually (where possible) or by a simple electrical test agreed between the manufacturer and the laboratory.
<b>G</b>	Internal disconnectors as specified by the manufacturer shall not operate during the test and shall be in working order after the test. For the purpose of this clause, working order means that there is no damage of the disconnector and that it is still operational. Operation can be checked either manually (where possible) or by a simple electrical test agreed between the manufacturer and the laboratory.
<b>H</b>	Disconnection shall be provided by one or more internal and/or external disconnector(s). Their correct indication shall be checked.
<b>I</b>	SPDs with an IP degree equal to, or greater than, IP20 shall not have live parts accessible with the standardized test finger applied with a force of 5 N (see IEC 60529), except the live parts which were already accessible before the test when the SPD is fitted as in normal use.
<b>J</b>	<p>If disconnection (internal or external) occurs during the test, there shall be clear evidence of effective disconnection of the corresponding protective component(s).</p> <p>If internal disconnection occurs, the test sample is connected as for normal use at the maximum continuous operating voltage <math>U_C</math> and at rated frequency for 1 min. The test source shall have a short-circuit current capability equal or greater than 200 mA. The current that flows through the relevant protective components shall not exceed a value of 1 mA.</p> <p>Currents through components connected in parallel to the relevant protective component(s), or otherwise connected (e.g. indicator circuits), are disregarded for this measurement, as long as they cannot cause a current through the relevant protective component(s).</p> <p>In addition the current through the PE-terminal, including parallel circuits and other circuits (e.g. indicator circuits), if any, shall not exceed 1 mA.</p> <p>If there is more than one possible connection arrangement for normal use, this check shall be performed for all arrangements.</p>
<b>K</b>	The short-circuit current from the power source, if any, shall be interrupted within 5 s by one or more internal and/or external disconnector(s).
<b>L</b>	The tissue paper shall not catch fire.
<b>M</b>	There shall be no explosion or other hazard to either personnel or the facility.
<b>N</b>	There shall be no flashover to the metallic screen and the 6 A gL/gG fuse connecting the screen shall not operate during the test.
<b>O</b>	<p>After completion of this test the samples shall be allowed to return to room temperature and be connected to a power source at <math>U_C</math> for 2 h.</p> <p>The residual current shall be monitored and not exceed the value measured at the beginning of the test by more than 10 %.</p>

Table 5 – Cross reference for pass criteria versus type tests

Pass criteria clause	A	B	C	D	E	F	G	H	I	J	K	L	M	N	O
8.3.3.4		A	A						A				A		
8.3.4.6	A	A	A	A	A	A	A						A		
8.3.5.1			A				A								
8.3.5.2			A					A	A	A			A		A
8.3.5.3 a)			A					A	A	A	A		A	A	
8.3.5.3 b)			A					C	A	C	C		A	A	
8.3.5.3.1			A					A	A	A	A		A	A	
8.3.5.3.2			A					C	A	C			A	A	
8.3.8.1 a)			A					A	A	A	A	A	A		
8.3.8.1 b)	A	A	A	A	A	A	A		A			A	A		
8.3.8.2 a)			A					A	A	A	A	A	A		
8.3.8.2 b)	A	A	A	A	A		A		A		A	A	A		
8.5.2			A						A						
8.6.1.1			A			A	A								
8.6.1.2 a)			A					A	A	A			A		
8.6.1.2 b)			A	A	A				A						
8.6.1.3 a)			A		A			A	A	A	A		A	A	
8.6.1.3 b)			A	A	A			A	A	A	A		A	A	
8.6.4.2			A						A				A		
8.6.4.3			A					A	A	A	A		A	A	
8.7.1		A	A	A	A		A		A				A		
8.7.3	A	A	A	A	A	A	A								
A applicable															
C conditionally applicable															

**8.1.1 Impulse discharge current used for class I additional duty test**

The impulse discharge current passing through the device under test (SPD) is defined by the crest value  $I_{imp}$ , the charge  $Q$  and the specific energy  $W/R$ . The impulse current shall show no polarity reversal and shall reach  $I_{imp}$  within 50  $\mu$ s. The transfer of the charge  $Q$  shall occur within 5 ms and the specific energy  $W/R$  shall be dissipated within 5 ms.

The impulse duration shall not exceed 5 ms.

Table 6 gives values of  $Q$  (As) and  $W/R$  (kJ/ $\Omega$ ) for example values of  $I_{imp}$  (kA).

The relationship between  $I_{imp}$ ,  $Q$  and  $W/R$  is as follows:

$Q = I_{imp} \times a$                       where  $a = 5 \times 10^{-4}$  s

$W/R = I_{imp}^2 \times b$                       where  $b = 2,5 \times 10^{-4}$  s

**Table 6 – Preferred parameters for class I test**

$I_{imp}$ within 50 $\mu$ s kA	$Q$ within 5 ms As	$W/R$ within 5 ms kJ/ $\Omega$
25	12,5	156
20	10	100
12,5	6,25	39
10	5	25
5	2,5	6,25
2	1	1
1	0,5	0,25

NOTE One of the possible test impulses which meet the above parameters is the 10/350 waveshape proposed in IEC 62305-1.

The following tolerances shall apply:

- $I_{imp}$             -10 %/+10 %;
- $Q$                 -10 %/+20 %;
- $W/R$             -10 %/+45 %.

**8.1.2 Current impulse used for class I and class II residual voltage and operating duty tests**

The waveshape is 8/20. The tolerances on the current waveshape passing through the device under test are as follows:

- crest value             $\pm 10$  %
- front time              $\pm 10$  %
- time to half value     $\pm 10$  %

A small overshoot or oscillation is tolerated provided that the amplitude of any oscillation is not more than 5 % of the crest value. Any polarity reversal after the current has fallen to zero shall not be more than 30 % of the crest value.

In the case of two port devices, the magnitude of the reversal shall be less than 5 %, so that it does not affect the measured limiting voltage.

### 8.1.3 Voltage impulse used for class I and II sparkover tests

The standard voltage waveshape is 1,2/50. The tolerances of the voltage waveshape of the open circuit voltage at the points where the device under test (DUT) will be connected are the following:

- crest value  $\pm 5 \%$
- front time  $\pm 30 \%$
- time to half value  $\pm 20 \%$

Oscillations or overshoot may occur at the crest of the impulse. If the frequency of such oscillations is more than 500 kHz or the duration of the overshoot is less than 1  $\mu\text{s}$ , a mean curve shall be drawn and, for the purpose of the measurement, the maximum amplitude of this mean curve defines the measured crest value of the test voltage.

Oscillations exceeding 3 % of the crest value are not allowed on the rising portion of the voltage impulse between 0 % and 80 % of the crest value.

The measuring devices shall have an overall bandwidth of a least 25 MHz and the overshoot shall be less than 3 %.

The short-circuit current of the test generator shall be less than 20 % of the nominal discharge current  $I_n$  of the SPD.

### 8.1.4 Combination wave used for class III tests

The standard impulse of a combination waveform generator is characterized by the output voltage under open-circuit conditions and the output current under short-circuit conditions. The open-circuit voltage shall have a front time of 1,2  $\mu\text{s}$  and a time to half value of 50  $\mu\text{s}$ . The short-circuit current shall have a front time of 8  $\mu\text{s}$  and a time to half value of 20  $\mu\text{s}$ .

NOTE 1 For further guidance on this subject see IEEE C62.45:2009

a) The tolerances of the open circuit voltage  $U_{oc}$  at the points where the device under test (DUT) will be connected are as follows:

- crest value  $\pm 5 \%$
- front time  $\pm 30 \%$
- time to half value  $\pm 20 \%$ .

These tolerances are for the generator alone, without any SPD or power supply circuit being connected.

Oscillations or overshoot may occur at the crest of the impulse. If the frequency of such oscillations is more than 500 kHz or the duration of the overshoot is less than 1  $\mu\text{s}$ , a mean curve shall be drawn and, for the purpose of the measurement, the maximum amplitude of this mean curve defines the measured crest value of the test voltage.

Oscillations exceeding 3 % of the crest value are not allowed on the rising portion of the voltage impulse between 0 % and 80 % of the crest value.

The measuring devices shall have an overall bandwidth of at least 25 MHz and an overshoot of less than 3 %.

b) The tolerances of the short-circuit current  $I_{sc}$  at the points where the device under test (DUT) will be connected are as follows:

- crest value                     $\pm 10\%$
- front time                     $\pm 10\%$
- time to half value         $\pm 10\%$ .

These generator tolerances shall be met with or without any power supply circuit being connected, depending if the test has to be performed energised or un-energized.

A small overshoot or oscillation is tolerated provided that the amplitude of any oscillation is not more than 5 % of the crest value. Any polarity reversal after the current has fallen to zero shall not be more than 30 % of the crest value.

c) Test setup:

The fictive impedance  $Z_f$  of the generator shall be nominally  $2\ \Omega$ . By definition, the fictive impedance is the ratio of the crest value of the open-circuit voltage  $U_{OC}$  divided by the crest value of the short-circuit current  $I_{SC}$ .

The above waveform and tolerance requirements only apply to the test performed at the value of  $U_{OC}$  declared by the manufacturer, which may require some generator adjustment to achieve. For tests performed below  $U_{OC}$  under clause 8.3.3.3 b), no further generator adjustment is required, and the same settings shall be used.

The generator coupling element shall preferably be realised by a varistor element with a rating as close as possible to the continuous operating voltage  $U_C$  of the device under test, to ensure comparable results among different test laboratories.

NOTE 2 This avoids excessive efforts for test set-ups because of the non-linearity in the generator coupling element which influences the total generator impedance at different settings for  $U_{OC}$ .

The maximum values for crest open-circuit voltage  $U_{OC}$  and crest short-circuit current  $I_{SC}$  are 20 kV and 10 kA respectively. Above these values (20 kV /10 kA), class II tests shall be performed.

The possibility of using decoupling networks for energized testing depends on the internal design of the SPD:

- when the SPD does not contain reactive components, the decoupling network is not required.
- when the SPD contains reactive components, but does not contain any voltage switching components, preferably no decoupling network shall be used or the measured limiting voltage test according 8.3.3 may be performed by using the alternate test procedure according 8.1.4.1.
- when the SPD contains reactive components and voltage switching components, no decoupling network shall be used.

Coupling elements and decoupling networks are only necessary for energised testing.

Examples for decoupling networks are given in Figure 2 and Figure 3.

.....



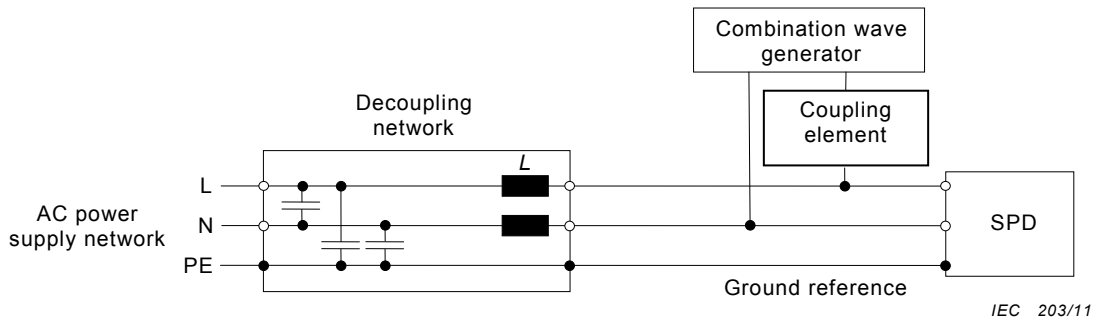


Figure 2 – Example of a decoupling network for single-phase power

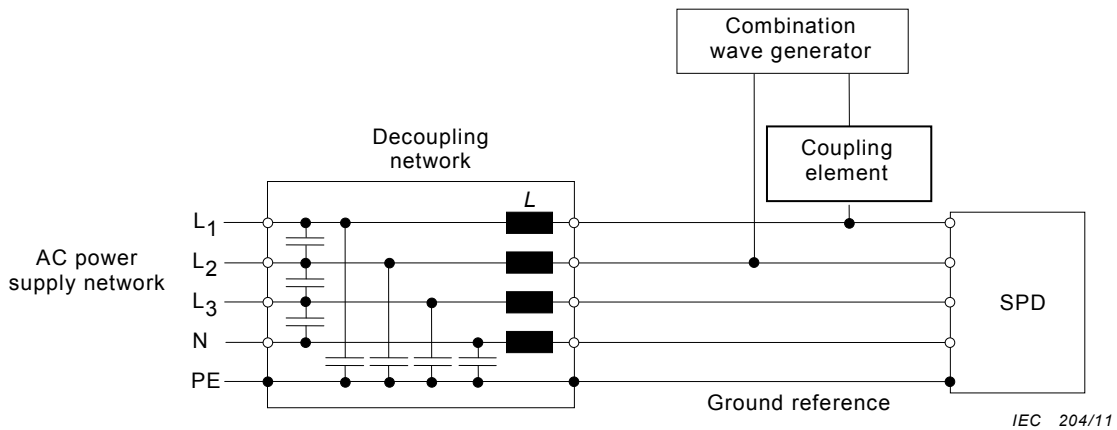


Figure 3 – Example of a decoupling network for three-phase power

8.1.4.1 Alternate test circuit to determine the measured limiting voltage (8.3.3) without a decoupling network

Two-port SPDs with reactive components create interaction with the reactive components of a back filter. This can produce artificially low values of measured limiting voltage. Tests in such cases shall use the alternative test circuit according to Figure 4.

- a) For a.c. rated SPDs a d.c. voltage of  $U_c \cdot \sqrt{2}$ , shall be applied to the SPD via a diode. The impulse shall preferably be applied via a varistor.
- b) The application of the impulse shall occur at  $100 \text{ ms} \begin{smallmatrix} +10 \\ 0 \end{smallmatrix} \%$  after closure of S<sub>1</sub>. The d.c. voltage shall be disconnected within 10 ms after impulse application.
- c) Reverse polarity tests can be conducted by reversing the SPD connection to the test circuit.

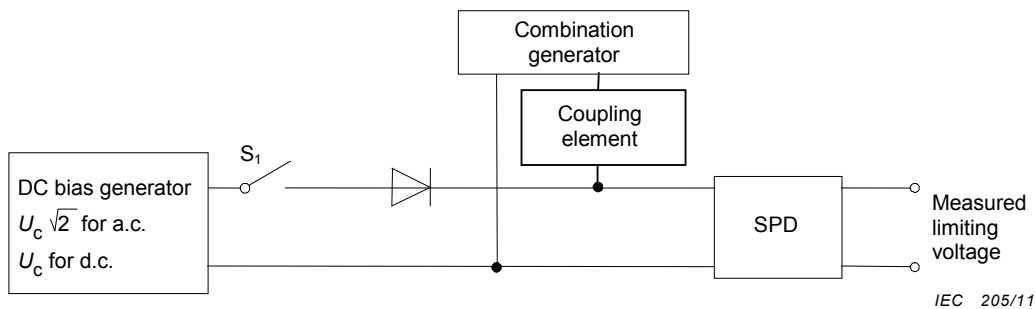


Figure 4 – Alternate test for the measured limiting voltage

## 8.2 Indelibility of markings

This test shall be applied on markings of all types except those made by impressing, molding and engraving.

The test is made by rubbing the marking by hand for 15 s with a piece of cotton soaked with water and again for 15 s with a piece of cotton soaked with aliphatic solvent hexane with a content of aromatics of maximum 0,1 % volume, a kauributanol value of 29, initial boiling-point approximately 65 °C and specific gravity of 0,68 g/cm<sup>3</sup>).

After this test, the marking shall be easily legible.

## 8.3 Electrical tests

### 8.3.1 Protection against direct contact

#### 8.3.1.1 Insulated parts

The sample is mounted as for normal use and the test is conducted using conductors of the smallest cross-sectional area and then again using conductors of the largest cross-sectional area specified in 8.4.2.

The standard test finger (in accordance with IEC 60529) is applied in every possible position.

For plug-in SPDs (which can be changed without a tool), the test finger is applied in every possible position, when the plug is partially inserted or completely inserted in a socket outlet.

An electrical continuity indicator operating from a voltage of not less than 40 V and not more than 50 V, one side of which is connected between the all live terminals of the sample linked together and the other side is connected to the test finger to check for the possibility of contact with any live part of the sample.

#### 8.3.1.2 Metal parts

Metal parts which are accessible when the SPD is wired and mounted as for normal use shall be connected to earth through a low resistance connection, except of small screws and the like, isolated from live parts, for fixing bases and covers or cover plates of socket-outlets.

A current (derived from an a.c. source having a no-load voltage not exceeding 12 V) equal to 1,5 times the rated load current or 25 A, whichever is the greater, is passed between the earthing terminal and each of the accessible metal parts in turn.

The voltage drop between the earthing terminal and the accessible metal part is measured and the resistance is calculated from the current and this voltage drop. The resistance shall not exceed 0,05 Ω.

NOTE Care should be taken that the contact resistance between the tip of the measuring probe and the metal part under test does not influence the test results.

### 8.3.2 Residual current $I_{pE}$

The SPD shall be connected as for normal use according to the manufacturer's instructions. The voltage shall be adjusted to the reference test voltage of ( $U_{REF}$ ).

The residual current flowing through the PE terminal is measured.

NOTE 1 If the manufacturer allows more than one configuration for the SPD installation, this test should be performed for every configuration.

NOTE 2 The true r.m.s. current value should be measured.

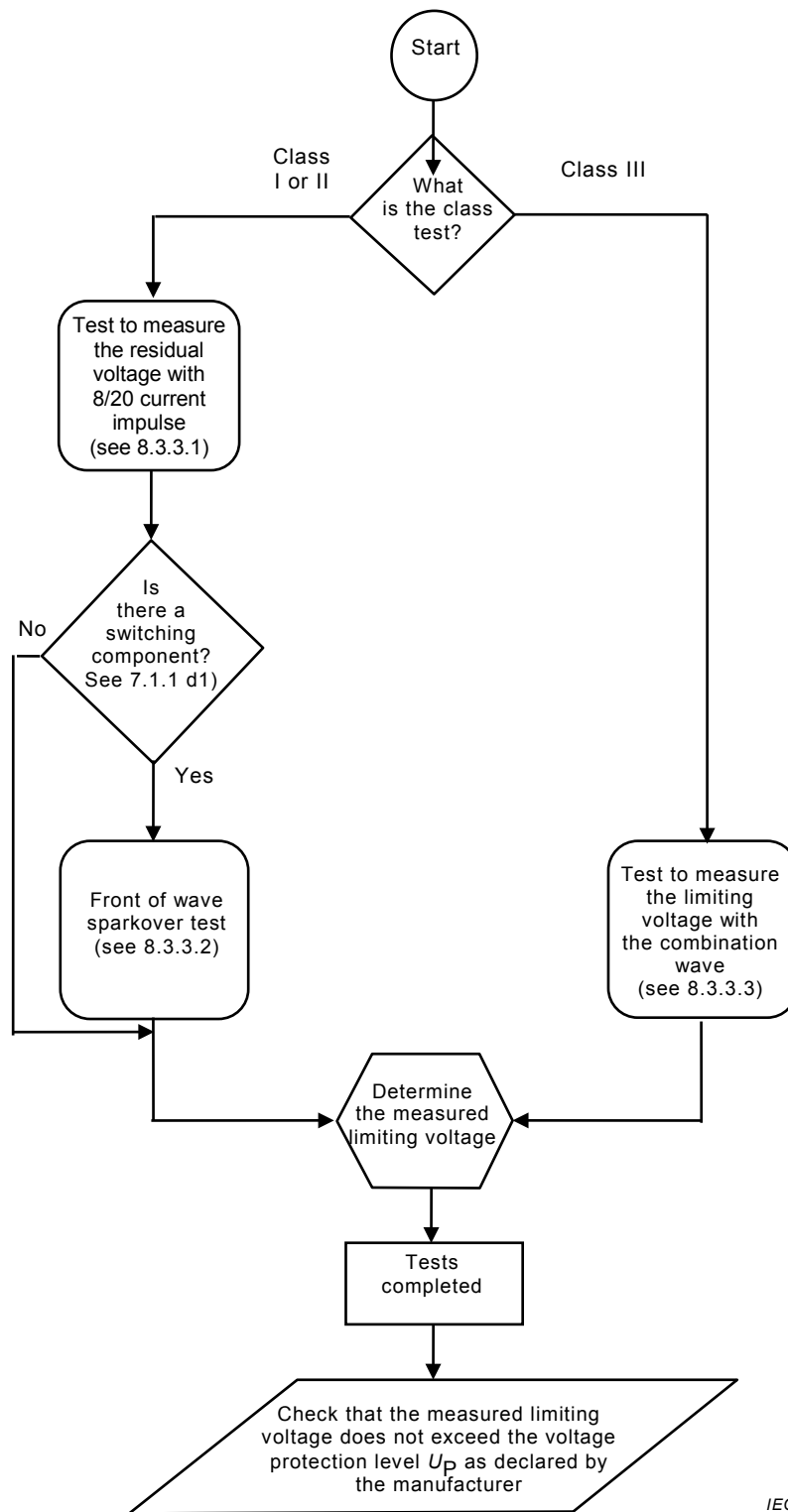
NOTE 3 If the SPD contains a terminal which is dedicated to be connected to a PEN conductor only, then this terminal is not considered to be a PE terminal.

### **Pass criteria**

The measured residual current value shall not exceed the value declared by the manufacturer according 7.1.1 b11).

### **8.3.3 Measured limiting voltage**

The tests on the different SPD types to determine their measured limiting voltages shall be performed according to the flow chart in Figure 5 and the following Table 7.



IEC 206/11

Figure 5 – Flow chart of testing to check the voltage protection level  $U_p$

**Table 7 – Tests to be performed to determine the measured limiting voltage**

	Class I	Class II	Class III
Test 8.3.3.1	X	X	
Test 8.3.3.2	X <sup>a</sup>	X <sup>a</sup>	
Test 8.3.3.3			X
<sup>a</sup> To be performed only on voltage switching and combination type SPDs.			

The following specific test conditions apply.

- All one-port SPDs shall be tested unenergized.
- All two-port SPDs shall be tested energized for the tests according 8.3.3.1 and 8.3.3.3 by means of a voltage source having a nominal current of at least 5 A at  $U_C$ . Positive impulses are applied at the  $(90 \pm 5)^\circ$  point and negative impulses at  $(270 \pm 5)^\circ$  point on the sinusoidal voltage waveform.
- For a one-port SPD having terminals, the test is performed without external disconnectors and the voltage is measured at the terminals. For a one-port SPD having connecting leads the voltage is measured with external lead lengths of 150 mm. For a two-port SPD, and a one-port SPD having separate load terminals, the voltage for determining the measured limiting voltage is measured at the output/load port or load terminals of the SPD and the voltage for determining  $U_{max}$  is measured at the input/line port or terminals of the SPD.
- The measured limiting voltage and  $U_{max}$  are determined by the tests performed according to Figure 5 and Table 7, relevant to the SPD test class.

#### 8.3.3.1 Residual voltage with 8/20 current impulses

- When testing SPDs to class I, 8/20 current impulses with a sequence of crest values of approximately 0,1; 0,2; 0,5; 1,0 times the crest value of  $I_{imp}$  shall be applied. When testing SPDs to class II, 8/20 current impulses with a sequence of crest values of approximately 0,1; 0,2; 0,5; 1,0 times  $I_n$  shall be applied. If the SPD contains only voltage-limiting components, this test needs only to be performed at crest values of  $I_{imp}$  for test class I or  $I_n$  for test class II. When  $I_{max}$  is declared by the manufacturer an additional 8/20 current impulse with a crest value of  $I_{max}$  shall be applied and the residual voltage shall be measured and recorded.
- One sequence of positive polarity and one sequence of negative polarity are applied to the SPD.
- The interval between individual impulses shall be long enough for the sample to cool down to ambient temperature.
- A current and a voltage oscillogram shall be recorded for each impulse. If relevant, the (absolute) crest values shall be plotted into a discharge current versus residual voltage diagram to  $I_n$  or  $I_{imp}$ . A curve which best fits the data points shall be drawn. There shall be sufficient points on the curve to ensure that there are no significant deviations on the curve up to  $I_n$  or  $I_{imp}$ .
- The residual voltage used for determining the measured limiting voltage is the highest voltage value corresponding to the range of currents for:
  - class I: up to  $I_{imp}$
  - class II: up to  $I_n$

NOTE The residual voltage is the highest crest value measured during surge current flow. Any high frequency disturbances and spikes before and during current flow caused by specific generator design, like crowbar generators, are disregarded.

- The value for determining  $U_{max}$  is the highest residual voltage measured at  $I_n$ ,  $I_{max}$  or  $I_{imp}$ , as applicable depending on the SPD test class.

### 8.3.3.2 Front-of-wave sparkover voltage

The 1,2/50 voltage impulse is used. The generator voltage is set to an open circuit output voltage of 6 kV.

- a) 10 impulses are applied to the SPD, five of positive and five of negative polarity.
- b) The interval between individual impulses shall be long enough for the sample to cool down to ambient temperature.
- c) If sparkover is not observed during each of the 10 impulses on the front of the wave, then a) and b) above are repeated with the generator output voltage increased up to a maximum 10 kV. This shall be recorded in the test report.
- d) The voltage at the SPD shall be recorded with an oscilloscope.
- e) The value for determining the measured limiting voltage and  $U_{\max}$  is the maximum sparkover voltage recorded during this test.

### 8.3.3.3 Limiting voltage with the combination wave

To perform this test a combination wave generator is used.

- a) The interval between the individual impulses shall be long enough for the sample to cool down to ambient temperature.
- b) The voltage of the combination wave generator is set to provide an open-circuit voltage of 0,1; 0,2; 0,5; 1,0 times the  $U_{OC}$  as declared by the manufacturer for the SPD. If the SPD only contains voltage-limiting components this test needs to be carried out at  $U_{OC}$  only.
- c) With these generator settings four surges will be applied to the SPD at each amplitude: two with positive and two with negative polarity.
- d) An oscillographic record shall be made of the current delivered by the generator into the SPD and the voltage at the output port of the SPD for each impulse.
- e) The value for determining the measured limiting voltage and  $U_{\max}$  is the maximum voltage recorded during this test.

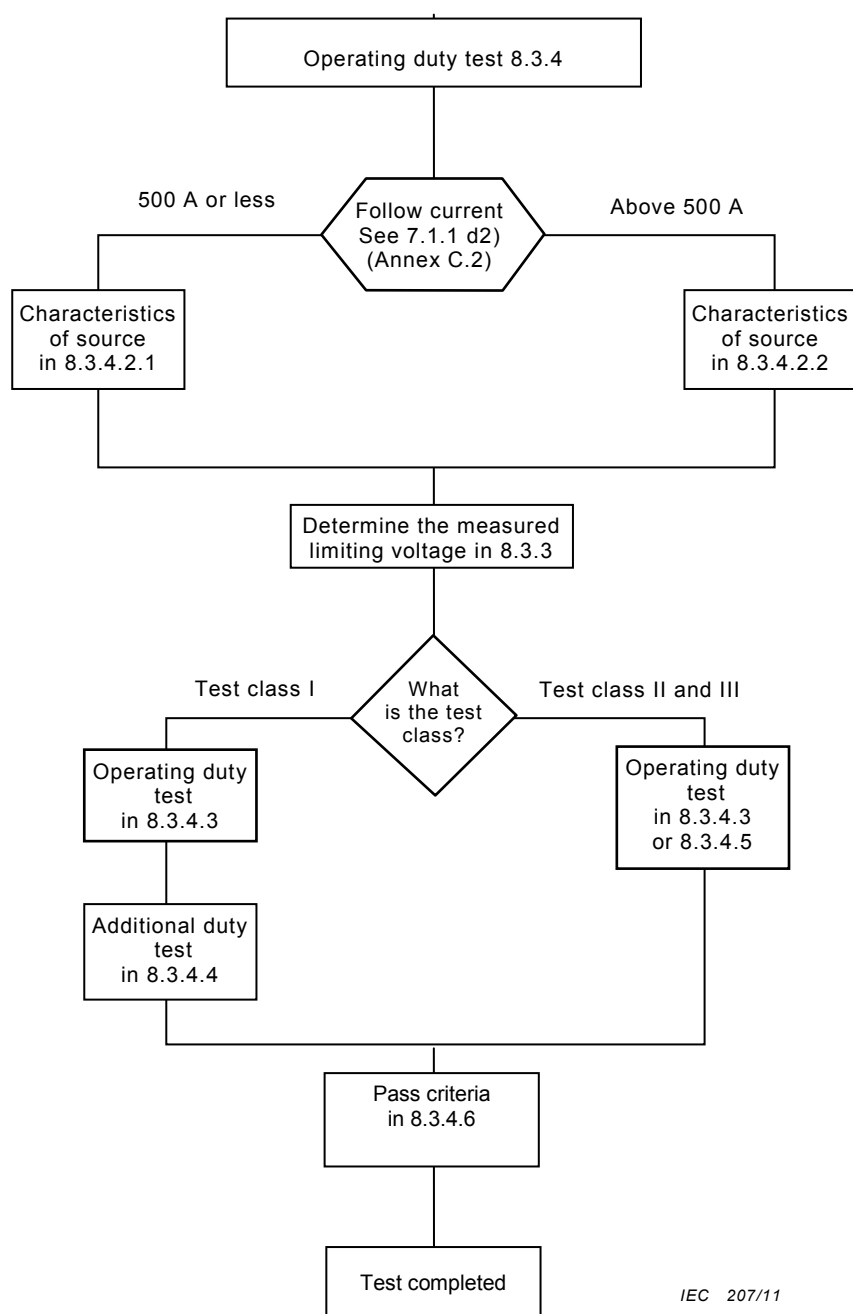
NOTE This may either be the sparkover voltage or the residual voltage depending on the SPD design.

### 8.3.3.4 Pass criteria for all measured limiting voltage tests

The pass criteria **B**, **C**, **I** and **M** according to Table 4 shall apply.

### 8.3.4 Operating duty test

An overview is given in the flow chart for the operating duty test in Figure 6.



IEC 207/11

**Figure 6 – Flow chart of the operating duty test**

### 8.3.4.1 General

This is a test in which service conditions are simulated by the application of a stipulated number of specified impulses to the SPD while it is energized at the maximum continuous operating voltage  $U_c$  via an a.c. source according to 8.3.4.2.

The test setup shall comply in with the circuit diagram given in Figure 7.

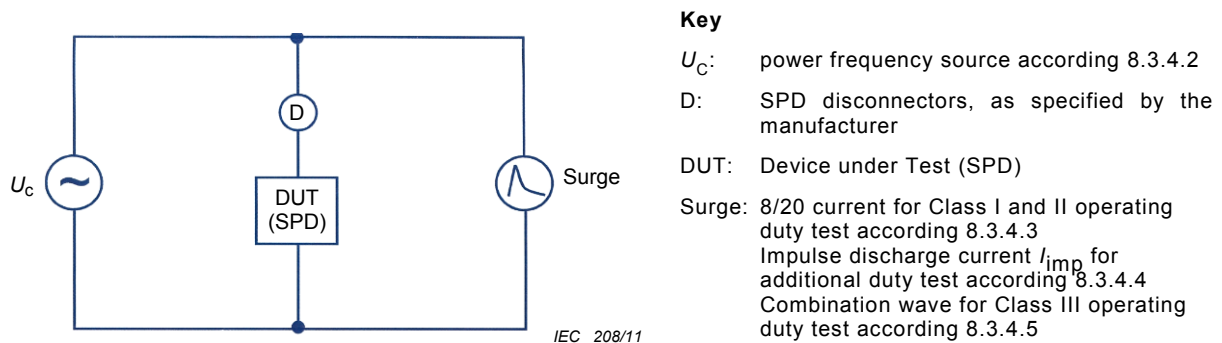
The measured limiting voltage shall be determined using the tests described in 8.3.3.

To avoid overstress of the samples, the test is performed:

- according to 8.3.3.1, but only at a crest value corresponding to  $I_{imp}$  for test class I
- according to 8.3.3.1, but only at  $I_n$  for test class II

- according to 8.3.3.3, but only at  $U_{oc}$  for test class III

with one positive and one negative surge applied.



**Figure 7 – Test set-up for operating duty test**

### 8.3.4.2 Power frequency source characteristics for the operating duty test

#### 8.3.4.2.1 SPDs with follow current 500 A or less

The test sample shall be connected to a power frequency voltage source. The impedance of the power source shall be such that during the flow of follow current the crest value of the power frequency voltage, measured at the SPD terminals, does not fall below the crest value of its  $U_C$  by more than 10 %.

#### 8.3.4.2.2 SPDs with follow current above 500 A

The test sample shall be connected to a power frequency voltage at  $U_C$  with a prospective short-circuit current being:

- either equal to the follow current interrupt rating  $I_{fi}$  declared by the manufacturer in accordance with Table 8
- or 500 A

whichever is greater, except for SPDs which are only connected between neutral and protective earth in TT- and/or TN-Systems, for which the prospective short-circuit current shall be at least 100 A.

NOTE For information on SPD follow current interrupt rating coordination with the available prospective short-circuit current of the particular power distribution system at the point of installation, refer to IEC 61643-12 and IEC 60364-5-53, Subclause 534.2.3.5.

### 8.3.4.3 Class I and II operating duty tests

Three groups of five impulses of 8/20 current impulses with positive polarity shall be applied. The test samples are connected to a power source according to 8.3.4.2. Each impulse shall be synchronized to the power frequency. Starting from  $0^\circ$  the synchronization angle shall be increased in steps of  $30^\circ$  with a tolerance of  $\pm 5^\circ$  for each synchronization angle. The tests are described in Figure 8.

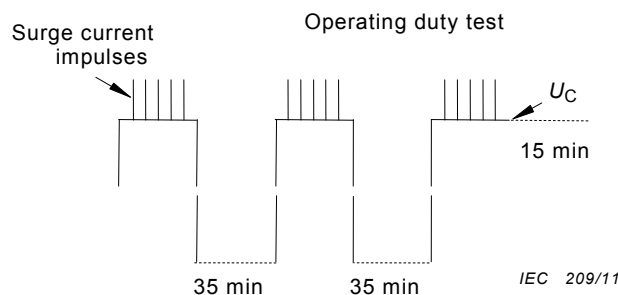
The SPD shall be energized at  $U_C$ . The prospective short-circuit current of the power source shall comply with 8.3.4.2 during the application of groups of impulses. After the application of each group of impulses and after the interruption of the last follow current (if any) the SPD shall remain energized without interruption for at least 1 min to check for reignition. After the last group of impulses and the 1 min period the SPD either remains applied or is reapplied within less than 30 s to  $U_C$  for another 15 min to check for stability. For that purpose, the short-circuit capability of the power source (at  $U_C$ ) may be reduced to 5 A.



When testing SPDs to class I, 8/20 current impulses with a crest corresponding to  $I_{imp}$  shall be applied.

When testing SPDs to class II, 8/20 current impulses with  $I_n$  shall be applied.

NOTE If an SPD is classified for test class I and test class II, this test may be performed only once, but with the most severe set of parameters of both test classes, subject to agreement by the manufacturer.



**Figure 8 – Operating duty test timing diagram for test classes I and II**

The interval between the impulses is 50 s – 60 s, the interval between the groups is 30 min – 35 min.

It is not required that the test sample is energized between the groups.

All current impulses shall be recorded and the current records shall show no sign of puncture or flashover of the samples.

#### 8.3.4.4 Additional duty test for test class I

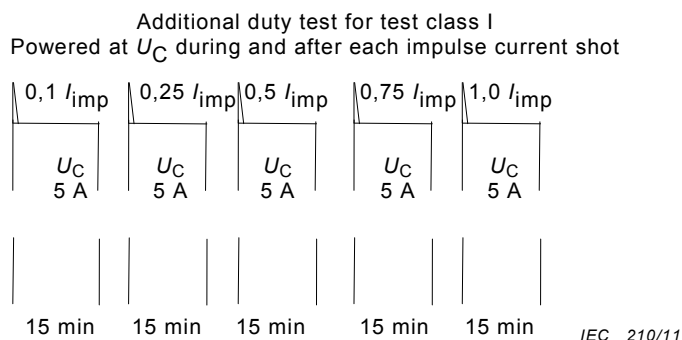
This test is carried out with current impulses in steps up to  $I_{imp}$  passing through the SPD.

The SPD shall be energized at  $U_C$ . The prospective short-circuit current of the power source shall be 5 A during the application of impulses. After the application of each impulse and after interruption of each follow current (if any) the SPD shall remain energized without interruption for at least 1 min to check for re-ignition. After that period the SPD either remains applied or is reapplied within less than 30 s to  $U_C$  for another 15 min to check for stability. For that purpose the short-circuit capability of the power source shall also be 5 A.

Current impulses of positive polarity shall be initiated in the corresponding positive crest value of the power frequency voltage source to the energized test sample as follows.

- One current impulse at 0,1  $I_{imp}$ ; check thermal stability; cool down to ambient temperature.
- One current impulse at 0,25  $I_{imp}$ ; check thermal stability; cool down to ambient temperature.
- One current impulse at 0,5  $I_{imp}$ ; check thermal stability; cool down to ambient temperature.
- One current impulse at 0,75  $I_{imp}$ ; check thermal stability; cool down to ambient temperature.
- One current impulse at 1,0  $I_{imp}$ ; check thermal stability; cool down to ambient temperature.

The timing diagram is described in Figure 9



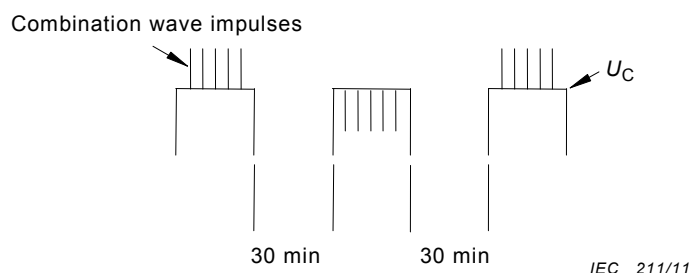
**Figure 9 – Additional duty test timing diagram for test class I**

**8.3.4.5 Class III operating duty tests**

The SPD is tested with three groups of impulses corresponding to  $U_{oc}$  with:

- five positive impulses initiated at crest value of positive half cycle ( $\pm 5^\circ$ )
- five negative impulses initiated at crest value of negative half cycle ( $\pm 5^\circ$ )
- five positive impulses initiated at crest value of positive half cycle ( $\pm 5^\circ$ )”

The timing diagram is described in Figure 10.



**Figure 10 – Operating duty test timing diagram for test class III**

**8.3.4.6 Pass criteria for all operating duty tests and for the additional duty test for test class I**

The pass criteria **A, B, C, D, E, F, G** and **M** according to Table 4 shall apply.

**8.3.5 Disconnectors and safety performance of overstressed SPDs**

**8.3.5.1 Temperature withstand test**

The SPD is kept in a heated cabinet at an ambient temperature of  $80\text{ }^\circ\text{C} \pm 5\text{ K}$  for 24 h.

The pass criteria **C** and **G** according to Table 4 shall apply.

**8.3.5.2 Thermal stability**

**Test settings**

This test procedure addresses two different designs:

- for SPDs containing only voltage limiting components the following procedure a) applies.

- for SPDs containing both voltage limiting and voltage switching components the following procedure b) applies.

### Sample preparation

For SPDs with different non-linear components connected in parallel, this test has to be performed for every current path of the SPD by disconnecting/interrupting all the remaining current paths. If components of the same type and parameters are connected in parallel, they shall be tested as one current path.

Any voltage switching component within the current path under test, which is connected in series with a voltage limiting component shall be short-circuited by a copper wire or dummy with a diameter such that it does not melt during the test.

The manufacturer shall provide samples prepared according to the above requirements.

#### a) Test procedure for SPDs having only voltage limiting components

The test samples shall be connected to a power frequency source.

The voltage shall be high enough to allow a current to flow through the SPD. For this test, the current is set to a constant value. The tolerance for the test current is  $\pm 10\%$ . The test is started at a value of 2 mA r.m.s. for the first sample, or at  $U_C$ , if the leakage current at  $U_C$  does already exceed 2 mA r.m.s.

This value of current is then increased in steps of either 2 mA or 5 % of the previously adjusted test current, whichever is greater.

For the other two samples the starting point shall be changed from 2 mA to a current corresponding to 5 steps below the current value at which the first sample disconnected.

Each step is maintained until thermal equilibrium is reached (i.e. variation of temperature at the hottest spot less than 2 K within 10 min).

The outer surface temperature on the hottest spot of the housing of the SPD (for accessible SPDs only) and the current through the SPD are monitored continuously.

NOTE 1 The hottest spot of the SPD may be determined by an initial test or alternatively many points may be monitored in order to determine the hottest spot.

This test is interrupted if all non-linear components under test are disconnected. The voltage shall not be increased further in order to avoid any malfunction of disconnectors.

NOTE 2 In case of doubt that all non-linear components are disconnected a visual inspection should be performed.

NOTE 3 Cracking of components alone is not considered as disconnection.

If the voltage across the SPD falls below  $U_{REF}$  during the test, the current regulation is discontinued and the voltage is adjusted back to  $U_{REF}$  and maintained for a duration of 15 min. Continuous current monitoring is not longer required. The source shall have a short-circuit current capability which will not limit the current before any disconnector operates. The maximum available current value shall not exceed the short-circuit current rating declared by the manufacturer.

#### b) Test procedure for SPDs having a voltage switching component in series with other components

The SPD is energized with a power frequency source at  $U_{REF}$  and having a short-circuit current capability which will not limit the current before any disconnector operates. The

maximum available current value shall not exceed the short-circuit current rating declared by the manufacturer.

If no significant current flows, test procedure a) shall be followed.

NOTE 4 The usage of “no significant current” infers that the SPD has not entered its onset of conduction transition (i.e. SPD remains thermally stable).

**Pass criteria**

The pass criteria **C, H, I, J, M** and **O** according to Table 4 shall apply.

In addition for indoor SPDs the surface temperature rise shall not exceed 120 K during and after the test. Five (5) min after disconnection of all non-linear components under test the surface temperature rise shall not exceed 80 K.

**8.3.5.3 Short-circuit current behaviour tests**

This test is not applied to SPDs which are either

- classified for outdoor use and for mounting out of reach, or
- for connection N-PE in TN and/or TT systems only.

**Table 8 – Prospective short-circuit current and power factor**

$I_p$ (kA) $\begin{matrix} +5 \\ 0 \end{matrix}$ %	$\cos \phi$ $\begin{matrix} 0 \\ -0,05 \end{matrix}$
$I_p \leq 1,5$	0,95
$1,5 < I_p \leq 3,0$	0,9
$3,0 < I_p \leq 4,5$	0,8
$4,5 < I_p \leq 6,0$	0,7
$6,0 < I_p \leq 10,0$	0,5
$10,0 < I_p \leq 20,0$	0,3
$20,0 < I_p \leq 50,0$	0,25
$50,0 < I_p$	0,2
NOTE Recovery voltage according to IEC 60947-1.	

The test sample shall be mounted in accordance with the manufacturer's published recommendations and connected with conductors of the maximum cross section according to 8.4.2, keeping the cables connecting the sample to a maximum length of 0,5 m each.

**Sample preparation**

For SPDs with non-linear components connected in parallel, separate sets of three samples shall be prepared in the manner described below for every current path of the SPD which contains one or more non-linear component described in 3.1.4 and 3.1.5.

Current paths containing voltage switching components with combined disconnecter function, having an impulse withstand voltage equal or greater than 6kV and a dielectric withstand equal or greater than 2500 V/50 Hz for 1 min in normal operating condition, are tested without any preparation and only in conjunction with other current paths prepared in the manner described below.

Voltage limiting components and voltage switching components described in 3.1.4 and 3.1.5 shall be replaced by appropriate copper blocks (dummies) ensuring that the internal connections and their cross-section and surrounding material (e.g. resins) and packaging are not changed.

Samples according to the above requirement shall be provided by the manufacturer.

### Test procedure

This test shall be performed at two different test settings with a separate set of prepared test samples for each setting a) and b):

#### a) Test at the declared short-circuit current rating

The sample is connected to a power frequency source at  $U_{REF}$ . The prospective short-circuit current as declared by the manufacturer and with the corresponding power factor as given in Table 8 are adjusted at the SPD terminals.

The test is carried out twice with  $U_{REF}$  applied at  $(45 \pm 5)$  electrical degrees and at  $(90 \pm 5)$  electrical degrees after the zero crossing of the voltage.

If a replaceable or resettable internal or external disconnecter operates, the relevant disconnecter shall be replaced or reset each time. If the disconnecter cannot be replaced or reset, the test is stopped.

#### Pass criteria

The pass criteria **C**, **H**, **I**, **J**, **K**, **M** and **N** according to Table 4 shall apply.

#### b) Test at low short-circuit current

A power frequency source at  $U_{REF}$ , having a prospective short-circuit current of five times the rated current of the maximum overcurrent protection (if declared by the manufacturer), and a power factor according to Table 8, shall be applied for  $5 \text{ s} \pm 0,5 \text{ s}$ . If no external overcurrent protection is required by the manufacturer, a prospective short-circuit current of 300 A is used.

The test is carried out once with  $U_{REF}$  applied at  $(45 \pm 5)$  electrical degrees after the zero crossing of the voltage.

#### Pass criteria

The pass criteria **C**, **I**, **M** and **N** according to Table 4 shall apply.

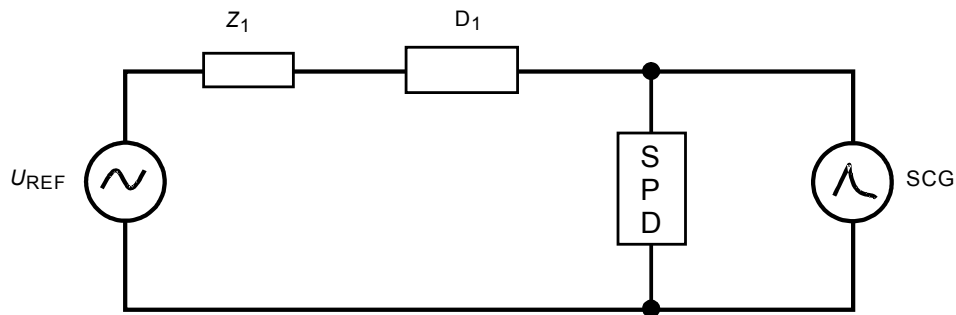
If disconnection occurs during this test, pass criteria **H**, **J**, and **K** according to Table 4 shall apply in addition.

#### 8.3.5.3.1 Additional test for SPDs with $I_{fi}$ lower than the declared short-circuit current rating ( $I_{SCCR}$ )

The test procedure according to 8.3.5.3 a) is repeated but without following the sample preparation according 8.3.5.3.

The voltage switching component(s) of the SPD is triggered with a positive surge current (8/20 or other appropriate waveshape) at  $(35 \pm 5)$  electrical degrees after the zero crossing of the voltage on the positive half wave. The surge current shall be high enough to initiate a follow current but shall in no case exceed  $I_n$ .

To ensure that no external disconnecter operates due to the trigger surge, all external disconnectors shall be placed in series with the power frequency source as shown in Figure 11.



IEC 212/11

**Key**

- $Z_1$  Impedance to adjust the prospective short-circuit current, according to Table 8
- $D_1$  External disconnector
- SCG Surge current generator with coupling device

**Figure 11 – Test circuit for SPD with  $I_{fi}$  lower than the declared short-circuit rating**

**Pass criteria**

The pass criteria **C, H, I, J, K, M** and **N** according to Table 4 shall apply.

**8.3.5.3.2 Additional test for SPD’s failure mode simulation**

**Sample preparation**

For this test any electronic indicator circuitry may be disconnected.

New samples shall be used and fitted as in normal use, according to the manufacturer's instructions and connected with conductors of the maximum cross section according to 8.4.2. The maximum length of the cables connecting the sample shall be of 0,5 m each.

External disconnectors, if recommended by the manufacturer, shall be used.

**Test procedure**

The test sample shall be connected to a power frequency voltage source at the following conditioning voltages:

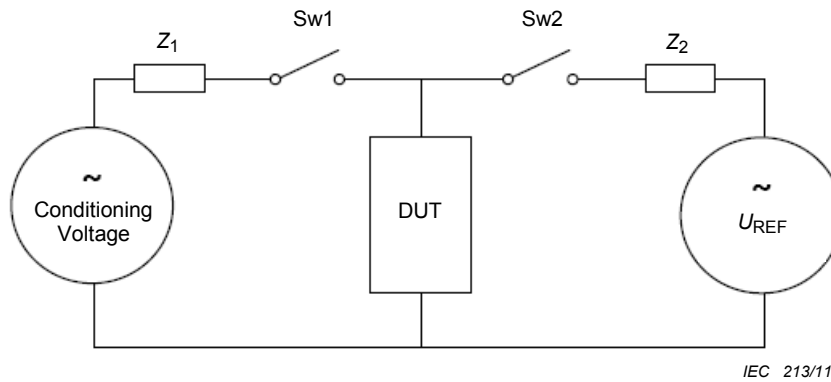
- for SPDs rated  $U_C$  up to 440 V, apply a voltage equal to  $1\,200\ V_{rms} \begin{smallmatrix} +5 \\ 0 \end{smallmatrix} \%$ ,
- for SPDs with  $U_C$  rated above 440 V, apply a voltage equal to 3 times  $U_C \begin{smallmatrix} +5 \\ 0 \end{smallmatrix} \%$ .

The conditioning voltage is applied for a duration of  $5\ s \begin{smallmatrix} +5 \\ 0 \end{smallmatrix} \%$ . The prospective short-circuit current of this power source for conditioning shall be adjusted to a value between 1A and  $20\ A_{rms} \begin{smallmatrix} +5 \\ 0 \end{smallmatrix} \%$ , as provided by the manufacturer according to 7.1.1 d5).

Following the application of the conditioning voltage a voltage equal to  $U_{REF} \begin{smallmatrix} 0 \\ -5 \end{smallmatrix} \%$  with a short-circuit current capability as given below, shall be applied to the sample for a period of 5 min  $\begin{smallmatrix} +5 \\ 0 \end{smallmatrix} \%$  or for at least 0,5s after interruption of the current by an internal or external disconnector.

The transition from conditioning voltage application to  $U_{REF}$  application shall be performed without interruption. The current flow through the SPD shall be monitored. An appropriate test circuit and timing diagram is shown in Figure 12 and Figure 13.

The prospective short-circuit current of the power source at  $U_{REF}$  shall have a tolerance of  ${}^{+5}_0$  % at the location where the SPD is connected. The power factor of the power source shall comply with Table 8.

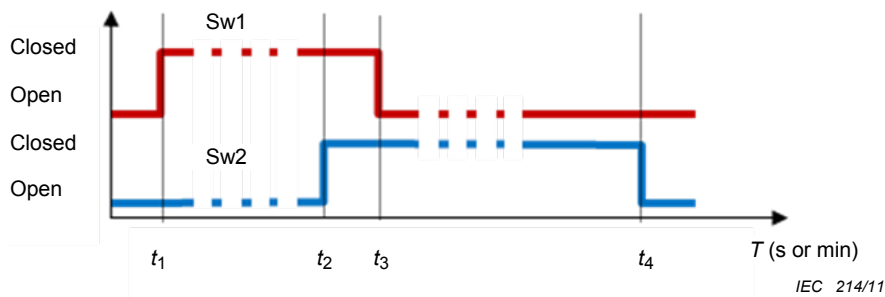


IEC 213/11

**Key**

- Z<sub>1</sub>: Impedance to adjust the prospective short-circuit current of preconditioning generator
- Z<sub>2</sub>: Impedance to adjust the prospective short-circuit current of  $U_{REF}$
- Sw1: Mechanical or static switch to apply the preconditioning stress to the SPD
- Sw2: Mechanical or static switch to apply the reference test voltage to the preconditioned DUT
- Sw1 and Sw2 can be mechanical or static
- DUT: Device under test (SPD + Disconnecter, if applicable)

**Figure 12 – Test circuit for SPD’s failure mode simulation**



IEC 214/11

**Key**

- $t_1 = 0$
- $t_3 \geq t_2 \geq 5\text{ s } -0\%$
- $t_2 \leq t_3 < 5\text{ s } +5\%$
- $t_4 = 5\text{ min } {}^{+5}_0\%$  or.  $\geq 0,5\text{ s}$  after current interruption

**Figure 13 – Timing diagram for SPD’s failure mode simulation**

Each of the following tests shall be performed on a new set of three preconditioned samples as above at  $U_{REF}$  with a short-circuit current of 100 A, 500 A and 1 000 A, respectively, unless these values exceed the declared short-circuit rating of the SPD.

A further test shall be performed on three preconditioned samples as above and at  $U_{REF}$  with a prospective short-circuit current equal to the manufacturer's declared short-circuit current rating. For this test, the time interval between the completion of the conditioning test and the application of  $U_{REF}$  shall be as short as possible and shall not exceed 100 ms.

If all oscillograms of the tests on the first set of samples (100 A test set up) show a disconnection within 5 s during the application of the conditioning voltage, no further test is performed.

### Pass criteria

The pass criteria **C**, **I**, **M** and **N** according to Table 4 shall apply. In general pass criteria **H** and **J** according to Table 4 shall apply in addition, except for

- short circuiting type SPDs
- SPDs where the current is interrupted during the application of  $U_{REF}$

where no disconnection occurs.

For this test any damage to electronic indicator circuitry during the conditioning test is not regarded as a failure.

### 8.3.6 Insulation resistance

This test is not applicable to SPDs having a metallic enclosure connected to protective earth.

#### Sample preparation

Additional entry holes for cables, if there are any, are left open. If there are any knockouts, one of them is opened. Coverings and other parts which are detachable without tools, are removed and undergo the same moisture treatment.

#### Test procedure

The moisture treatment is carried out in a humidity cabinet at a relative humidity of 93 %  $\pm$ 3 % RH. The air temperature is kept at all points, where the test sample can be positioned, within  $\pm$ 2 K at a suitable temperature  $T$  between 20 °C and 30 °C. Before putting the test samples into the humidity cabinet, they shall have a temperature between  $T$  and  $(T+4)$  in °C.

NOTE 1 In most cases the test samples can be brought to the required temperature, if they are kept at least 4 h at this temperature before the moisture treatment.

The test samples shall be kept in the humidity cabinet for 2 days (48 h).

NOTE 2 The required humidity can be achieved by putting in the humidity cabinet, a saturated hydrous solution of sodium sulphate ( $\text{Na}_2\text{SO}_4$ ) or potassium nitrate ( $\text{KNO}_3$ ), having a sufficient contact surface with the air.

After a delay of between 30 min and 60 min following the humidity treatment, the insulation resistance is measured 60 s after having applied a d.c. voltage of 500 V.

This measurement is carried out in the humidity cabinet or in the room into which the specimens were brought to reach the determined temperature, after having refitted the parts which might have been detached.



The measurement has to be performed as follows:

- a) between all interconnected live parts and the SPDs body accessible to accidental contact

The expression "body" in the sense of this test means

- all touchable metal parts and a metal foil on surfaces of insulating material, which are touchable after installation as for normal use,
- the surface on which the SPD is mounted, if necessary, covered with metal foil,
- screws and other facilities for fastening the SPD on its support.

For these measurements, the metal foil is put on in such a way, that perhaps existing casting mass is effectively tested.

Protective components connected to PE may be disconnected for this test.

- b) between the live parts of the SPD main circuit and live parts of separate isolated circuits, if there are any.

### Pass criteria

The insulation resistance shall not be lower than

- 5 M $\Omega$  for the measurements according to a),
- 2 M $\Omega$  for the measurements according to b).

### 8.3.7 Dielectric withstand

SPDs classified for outdoor use are tested between the terminals with the internal parts removed. During this test, the SPD is subjected to sprinkling according to 9.1 of IEC 60060-1.

SPDs classified for indoor are tested as indicated in a) and b) of 8.3.6.

SPDs are tested with an a.c. voltage according to Table 9. Starting with not more than half the required a.c. voltage, this voltage is increased to the full value within 30 s which is maintained for 1 min.

**Table 9 – Dielectric withstand**

SPD continuous operating voltage V	AC test voltage kV
$U_c \leq 100$	1,1
$100 < U_c \leq 200$	1,7
$200 < U_c \leq 450$	2,2
$450 < U_c \leq 600$	3,3
$600 < U_c \leq 1\ 200$	4,2
$1\ 200 < U_c \leq 1\ 500$	5,8

### Pass criteria

Arcing or puncturing shall not occur, however, partial discharges are accepted if the voltage change during the discharge is less than 5 %.

The power transformer used for testing shall be designed in such a way that after having been adjusted to the test voltage at its open terminals it will generate a short-circuit current of at least 200 mA after short-circuiting the terminals. An overcurrent relay, if any, shall only react if the test circuit current exceeds 100 mA. The device for measuring the test voltage shall have a precision of  $\pm 3$  %.

### 8.3.8 Behaviour under temporary overvoltages (TOVs)

#### 8.3.8.1 TOVs caused by faults in the low voltage system

The SPDs shall be tested using either the TOV voltages  $U_T$  given in the relevant tables of Annex B, or the TOV-voltages stated by the manufacturer according to 7.1.1 c1), whichever values are higher.

Table B.1 shall be applied to all SPDs and, depending on the information given by the manufacturer on 7.1.1 c1), the additional tables according to Clause B.1 of Annex B shall also be applied.

#### Test procedure

New samples shall be used and fitted as in normal use, according to the manufacturer's instructions.

The test sample shall be connected to a power frequency voltage of  $U_T \begin{smallmatrix} 0 \\ -5 \end{smallmatrix}$  % for a duration

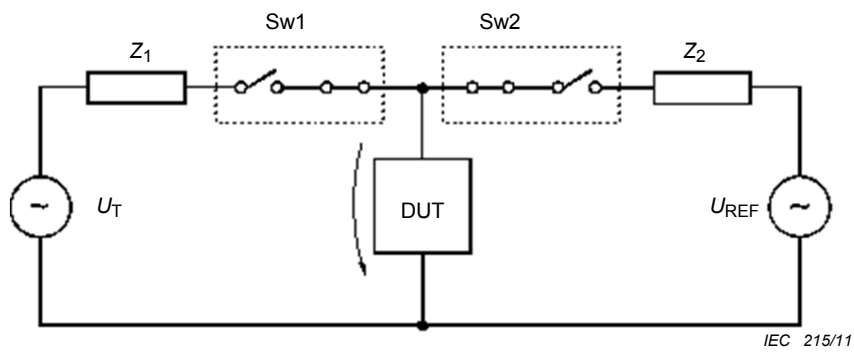
$t_T \begin{smallmatrix} +5 \\ 0 \end{smallmatrix}$  %.

Except for loss of neutral tests, this power source for  $U_T$ , shall be capable of delivering a current high enough to ensure that the voltage at the SPD terminals does not fall below  $U_T$  by more than 5 % during the test. For loss of neutral tests this voltage source shall be capable of delivering a prospective short-circuit current of 10 A.

Immediately following the application of  $U_T$ , a voltage equal to  $U_{REF} \begin{smallmatrix} 0 \\ -5 \end{smallmatrix}$  % with the same current capability, shall be applied to the test sample for a period of 15 min  $\begin{smallmatrix} +5 \\ 0 \end{smallmatrix}$  %.

For loss of neutral tests, this power source for  $U_{REF}$  shall be capable of delivering a prospective short-circuit current equal to the declared short-circuit current rating of the SPD.

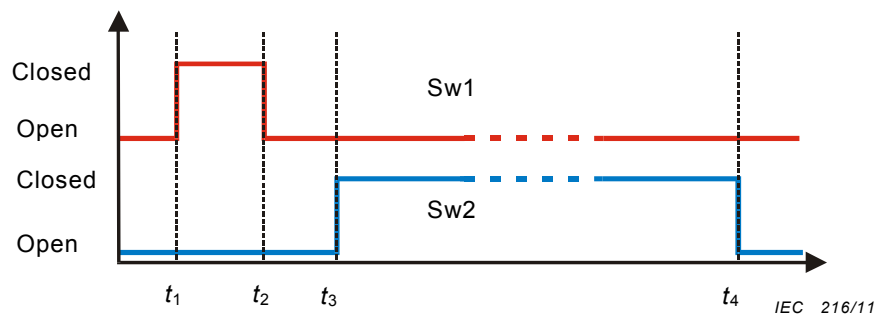
The time interval between the test periods shall be as short as possible and shall in any case not exceed 100 ms. An example of a test circuit and a corresponding timing diagram to perform this test is given in Figure 14 and Figure 15.



**Key**

- $U_T$  Temporary overvoltage according Annex B
- $U_{REF}$  Reference test voltage according Annex A
- $Z_1$  Impedance to adjust the prospective short circuit current of  $U_T$
- $Z_2$  Impedance to adjust the prospective short circuit current of  $U_{REF}$
- Sw1 Switch to apply the temporary overvoltage to the SPD
- Sw2 Switch to apply the reference test voltage to the SPD
- DUT: Device under test (SPD + Disconnecter, if applicable)

**Figure 14 – Example of a test circuit to perform the test under TOVs caused by faults in the low voltage system**



**Key**

- $t_1 = 0$
- $t_2 = t_T + 5\%$
- $t_2 \leq t_3 < (t_2 + 100\text{ ms}) + 5\%$
- $t_4 = t_T + 15\text{ min} + 5\%$

**Figure 15 – Timing diagram for the test under TOVs caused by faults in the low voltage system**

**Pass criteria**

a) TOV failure mode:

The pass criteria **C, H, I, J, K, L** and **M** according to Table 4 shall apply.

b) TOV withstand mode:

The pass criteria **A, B, C, D, E, F, G, I, L** and **M** according to Table 4 shall apply.

### 8.3.8.2 TOVs caused by faults in the high (medium) voltage system

SPDs connected to PE and for use on power distribution systems shall be tested using either the TOV voltages  $U_T$  given in Annex B, or the TOV voltages stated by the manufacturer according to 7.1.1 c1), whichever values are higher.

Table B.1 shall be applied to all SPDs and, depending on the information given by the manufacturer on 7.1.1 c1), the additional tables according to clause B.1 of Annex B shall also be applied.

New samples shall be used and fitted as in normal use, according to the manufacturer's instructions, and connected to a test circuit according to Figure 16 or equivalent.

#### Test procedure

The test voltage  $U_T \begin{smallmatrix} 0 \\ -5 \end{smallmatrix}$  % is applied to the test sample at 90 electrical degrees of phase L1 by closing switch S1.

After the TOV application time  $t_T \begin{smallmatrix} 0 \\ -5 \end{smallmatrix}$  % switch S2 is closed automatically.

This connects the SPD's PE-terminal to the neutral (via the current limiting resistor R2) by short-circuiting the TOV-transformer's (T2) secondary winding. This results in the operation of fuse F2 protecting the TOV transformer.

An example of a test circuit and a corresponding timing diagram to perform this test is given in Figure 16 and Figure 17.

Additional examples of alternative test circuits are given in Annex E.

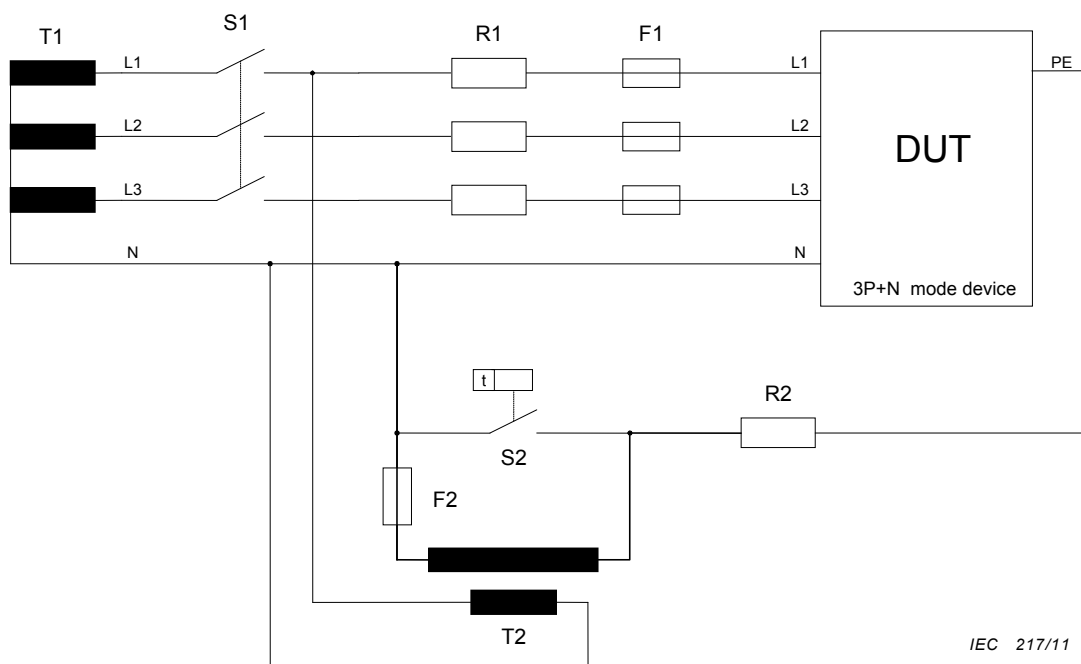
Other test circuits are permitted as long as they ensure the same stress to the SPD.

The prospective short-circuit current of the power source for  $U_{REF}$  shall be equal to five times the rated current of the maximum overcurrent protection declared by the manufacturer, or 300 A if no maximum overcurrent protection is declared. The tolerance for the current is  $\begin{smallmatrix} +10 \\ 0 \end{smallmatrix}$  %.

The prospective short-circuit current delivered by the TOV transformer shall be adjusted to

300 A  $\begin{smallmatrix} +10 \\ 0 \end{smallmatrix}$  % by R2.

With the exception of SPDs connected neutral to ground,  $U_{REF}$  remains applied to the test sample for 15 min without interruption until switch S1 is reopened.

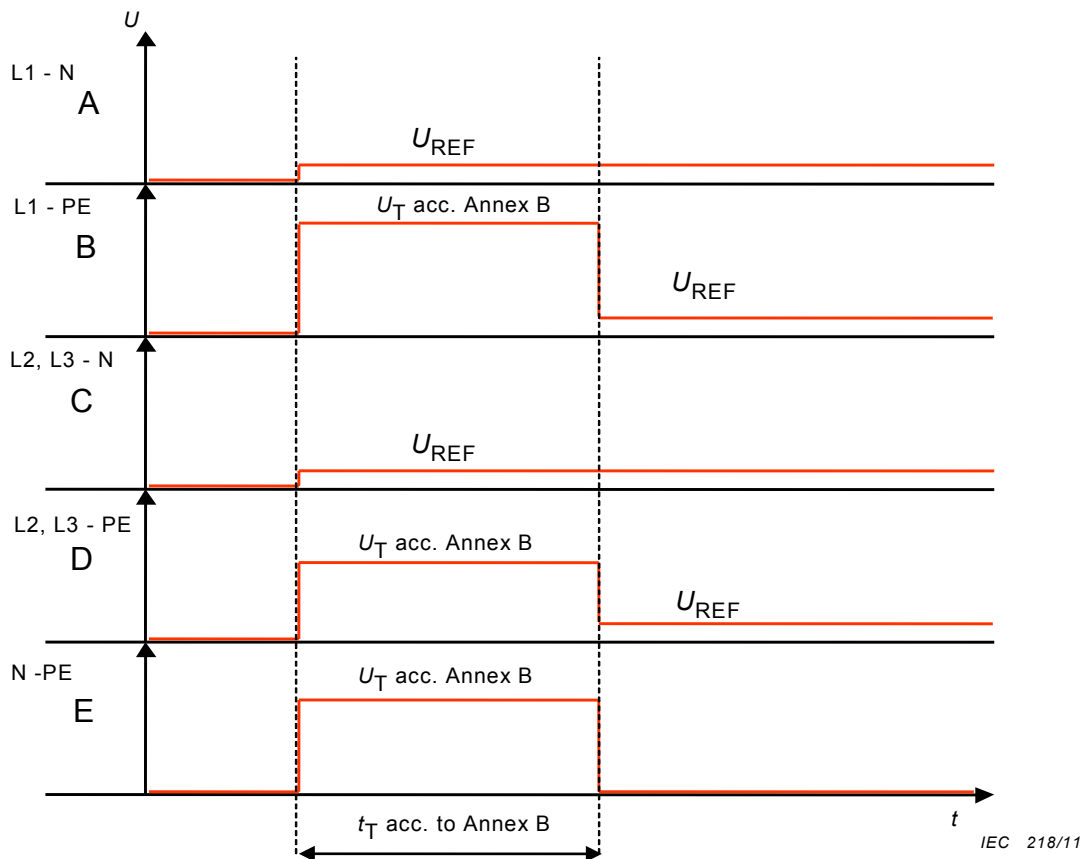


IEC 217/11

**Key**

- S1 Main switch
- S2 Timer switch – closing 200 ms after main switch
- F1 Maximum recommended overcurrent protection according to manufacturer's instructions
- F2 TOV transformer protection fuse (needs to withstand 300 A for 200 ms)
- T1 Power supply transformer with a secondary voltage at  $U_{REF}$
- T2 TOV transformer with primary voltage at  $U_{REF}$  and secondary voltage of 1 200 V
- R1 Current-limiting resistor to adjust the prospective short-circuit current of the power supply at  $U_{REF}$
- R2 Current-limiting resistor to adjust the prospective short-circuit current of the TOV circuit to 300 A (approximately 4  $\Omega$ )
- DUT Device under test

**Figure 16 – Example of circuit for testing SPDs for use in TT systems under TOVs caused by faults in high (medium) voltage systems**



**Figure 17 – Timing diagram for use in testing SPDs under TOVs caused by faults in the high (medium) voltage system using circuit of Figure 16**

**Pass criteria:**

a) TOV failure mode:

The pass criteria **C, H, I, J, K, L** and **M** according to Table 4 shall apply.

b) TOV withstand mode:

The pass criteria **A, B, C, D, E, G, I, K, L** and **M** according to Table 4 shall apply.

**8.4 Mechanical tests**

**8.4.1 Reliability of screws, current-carrying parts and connections**

Compliance is checked by inspection and for screws which are operated when connecting up the SPD by the following test.

The screws are tightened and loosened:

- ten times for screws in engagement with a thread of insulating material,
- five times in all other cases.

Screws or nuts in engagement with a thread of insulating material are completely removed and reinserted each time unless the construction of the screw prevents this.

The test is made by means of a suitable test screwdriver or spanner applying a torque as shown in Table 10 or according to the manufacturer’s specification, whichever is greater.

The screws shall not be tightened in jerks.

The conductor is moved each time the screw is loosened.

**Table 10 – Screw thread diameters and applied torques**

Nominal diameter of thread mm	Torque Nm		
	I	II	III
Up to and including 2,8	0,2	0,4	0,4
Over 2,8 up to and including 3,0	0,25	0,5	0,5
Over 3,0 up to and including 3,2	0,3	0,6	0,6
Over 3,2 up to and including 3,6	0,4	0,8	0,8
Over 3,6 up to and including 4,1	0,7	1,2	1,2
Over 4,1 up to and including 4,7	0,8	1,8	1,8
Over 4,7 up to and including 5,3	0,8	2,0	2,0
Over 5,3 up to and including 6,0	1,2	2,5	3,0
Over 6,0 up to and including 8,0	2,5	3,5	6,0
Over 8,0 up to and including 10,0	–	4,0	10,0

Column I applies to screws without heads, if the screw, when tightened, does not protrude from the hole; it also applies to other screws which cannot be tightened by means of a screwdriver with a blade wider than the diameter of the screw.

Column II applies to other screws which are tightened by means of a screwdriver.

Column III applies to screws and nuts which are tightened by means other than a screwdriver.

Where a screw has a hexagonal head with a slot for tightening with a screwdriver and the values in columns II and III are different, the test is made twice, applying the torque specified in column III to the hexagonal head and, on another sample, applying the torque specified in column II by means of a screwdriver. If the values in columns II and III are the same, only the test with the screwdriver is made.

### Pass criteria

During the test, the screwed connections shall not work loose and there shall be no damage, such as breakage of screws or damage to the head slots, threads, washers or stirrups, that will impair the further use of the SPD.

Enclosures and covers shall not be damaged. This shall be verified by visual inspection.

### 8.4.2 Terminals for external conductors

The SPD is mounted according to the manufacturer's recommendation on a dull, black-painted wood board of about 20 mm thickness, and protected against undue external heating or cooling.

Unless otherwise specified, the SPD terminals shall be wired with conductors according to:

- Table 11, for two-port devices and one-port devices with separate input/output terminals or,
- the manufacturer's instruction, for other one-port devices.

SPDs tested according to class I and one-port SPDs with a nominal discharge current  $\geq 5$  kA tested according to class II shall be capable of clamping conductors with a cross-section of at least 4 mm<sup>2</sup>.

**8.4.2.1 Terminals with screws**

**8.4.2.1.1 General**

These tests are made by means of a suitable screwdriver or spanner applying a torque as shown in Table 10.

The terminals are fitted with copper conductors of the smallest or largest cross-sectional areas specified in 8.4.2, solid or stranded, whichever is least favourable.

The conductor is inserted into the terminal for the minimum distance prescribed or, where no distance is prescribed, until it just projects from the far side, and in the position most likely to assist the wire to escape.

The clamping screws are then tightened with a torque equal to two-thirds of that shown in the appropriate column of Table 10.

Each conductor is then subjected to a pull of the value, in newtons, shown in Table 12. The pull is applied without jerks, for 1 min, in the direction of the axes of the conductor space.

During this test, the conductor shall not move noticeably in the terminal.

**Table 11 – Cross-sections of copper conductors for screw-type or screwless terminals**

Maximum continuous load current for two-port SPDs or one-port SPDs with separate input/output terminals <sup>a</sup>	Range of nominal cross-sections to be clamped (single conductor)	
	mm <sup>2</sup>	American Wire Gauge
Up to and including 13	1 to 2,5	18 to 14
Above 13 up to and including 16	1 to 4	18 to 12
Above 16 up to and including 25	1,5 to 6	16 to 10
Above 25 up to and including 32	2,5 to 10	14 to 8
Above 32 up to and including 50	4 to 16	12 to 6
Above 50 up to and including 80	10 to 25	8 to 3
Above 80 up to and including 100	16 to 35	6 to 2
Above 100 up to and including 125	25 to 50	4 to 1

<sup>a</sup> It is required that, for current ratings up to and including 50 A, terminals be designed to clamp solid conductors as well as rigid stranded conductors; the use of flexible conductors is permitted.

Nevertheless, it is permitted that terminals for conductors having cross-sections from 1 mm<sup>2</sup> up to 6 mm<sup>2</sup> be designed to clamp solid conductors only.



### 8.4.2.1.2 Pull-test for screw terminals

**Table 12 – Pulling forces (screw terminals)**

Cross-section of conductor accepted by the terminal mm <sup>2</sup>	Up to 4	Up to 6	Up to 10	Up to 16	Up to 50
Pull N	50	60	80	90	100

- a) The terminals are fitted with copper conductors (solid or stranded), of the smallest or largest cross-sectional areas as specified in 8.4.2, (whichever is the least favourable) and the terminal screws are tightened with a torque equal to two-thirds of the values shown in the appropriate column of Table 10. The terminal screws are then loosened and the part of the conductor which may have been affected by the terminal is inspected.

#### Pass criteria

The conductors shall show neither undue damage nor severed wires.

Conductors are considered to be unduly damaged if they show deep or sharp indentations.

During the test, terminals shall not work loose and there shall be no damage such as breakage of screws or damage to the head slots, threads, washers or stirrups, that will impair the further use of the terminal.

- b) The terminals are fitted with a rigid stranded copper conductor according to Table 13.

Before insertion in the terminal, the wires of the conductors are suitably reshaped.

The conductor is inserted into the terminal until the conductor reaches the bottom of the terminal or just projects from the far side of the terminal and in the position most likely to assist a wire to escape. The clamping screw or nut is then tightened with a torque equal to two-thirds of that shown in the appropriate column of Table 10.

#### Pass criteria

After the test, no wire of the conductor shall have slipped out of the SPD terminal.

**Table 13 – Conductor dimensions**

Range of nominal cross-sections to be clamped mm <sup>2</sup>	Stranded conductor
	Number of wires
1 to 2,5 <sup>a</sup>	7
1 to 4 <sup>a</sup>	7
1,5 to 6 <sup>a</sup>	7
2,5 to 10	7
4 to 16	7
10 to 25	7
16 to 35	19
25 to 50	Under consideration

<sup>a</sup> If the terminal is intended to clamp solid conductors only (see table footnote of Table 11), the test is not performed.

### 8.4.2.2 Screwless terminals

Compliance is checked by the following tests.

The terminals are fitted with new copper conductors (solid or stranded), of the smallest or largest cross-sectional areas as specified in 8.4.2, (whichever is the least favourable).

Each conductor is then subjected to a pull of the value shown in Table 14. The pull is applied without jerks for 1 min in the direction of the axis of the conductor.

#### Pass criteria

During the test, there shall be no movement of the conductor in the terminal or any indication of damage.

**Table 14 – Pulling forces (screwless terminals)**

<b>Cross-sectional area</b> mm <sup>2</sup>	0,5	0,75	1,0	1,25 1,5	2,0 2,5	3,5 4	5,5 6	8,0 10	14 16	22 25	35 38
<b>Pull force</b> N	30	30	35	40	50	60	80	90	100	135	190

### 8.4.2.3 Insulation piercing connections

#### 8.4.2.3.1 Pull test on terminals designed for single core conductors

Compliance is checked by the following tests.

The terminals are fitted with new copper conductors (solid or stranded), of the smallest or largest cross-sectional areas as specified in 8.4.2, (whichever is the least favourable). Screws, if any, are tightened according to Table 10.

The conductors are connected and disconnected five times, new conductors being used each time. After each connection the conductors are subjected to a pull, without jerks, for 1 min in the axis of the tapping conductor according to the value given in Table 14.

#### Pass criteria

During the test, there shall be no movement of the conductor in the terminal or any sign of damage.

#### 8.4.2.3.2 Pull test on terminals designed for multi-core cables or cords

The pull-out test on the SPD terminals designed for multi-core cables or cords is carried out as for single core conductors, except that the pull force is applied to the entire multi-core cable or cord instead of to the individual core.

The pull force is calculated according to the following formula:

$$F = F(x) \sqrt{n}$$

where

$F$  is the total force to apply;

$n$  is the number of cores;

$F(x)$  is the force for one core according to the cross-section of one conductor (see Table 14).

During the test, the cable or cord shall not slip out of the terminals.

#### 8.4.2.4 Flat quick connect terminations

Under consideration.

#### 8.4.2.5 Pigtail connections (flying leads)

##### 8.4.2.5.1 Pull test on flying lead conductors

Compliance of an integral flying lead, intended to be connected in the field to the power system, shall be checked by the following tests.

A flying lead and anchorages shall withstand without damage or detachment a direct pull of 89 N for one minute, applied to the lead from any angle which the construction or the device will allow.

#### Pass criteria

During the test, there shall be no movement of the conductor or any sign of damage.

#### 8.4.3 Verification of air clearances and creepage distances

SPDs for domestic and similar applications shall be designed for pollution degree 2.

SPDs for more stringent environmental applications may require special precautions, e.g. an appropriate SPD housing or an additional enclosure, which will ensure pollution degree 2 for the SPDs.

NOTE SPD-housings without ventilation openings are considered to provide adequate protection to limit the pollution sufficiently to allow the application of pollution degree 2 requirement to internal creepage distances.

For SPDs for outdoor and out of reach applications pollution degree 4 applies. This may be reduced to pollution degree 3 for internal distances, if they are covered by an adequate housing ensuring pollution degree 3 conditions.

The electrode spacing of spark gaps shall not be considered for the determination of air clearances and creepage distances.

#### Pass criteria

The air clearances and creepage distances shall not be smaller than the values indicated in Table 15 and Table 16.

NOTE For altitudes exceeding 2 000m refer to IEC 60664-1:2007, Table F.2, and use  $U_{\max}$  as input parameter to the columns for Case A – in homogeneous field conditions, to determine the required clearances. But in any case, the minimum requirements according Table 15 of this standard should be fulfilled for mechanical reasons.

**Table 15 – Air clearances for SPDs**

$U_{max}^a$	$\leq 2\ 000\ V$	$\leq 4\ 000\ V$	$>4\ 000\ V$ up to 6 000 V	$>6\ 000\ V$ up to 8 000 V
<b>Air clearances in millimetres</b>				
1) Between live parts of different polarity	1,5	3	5,5	8
2) Between live parts and				
– screws and other means to fasten a covering, having to be detached for mounting the SPD	1,5	3	5,5	8
– fastening surfaces (NOTE 2)	3	6	11	16
– screws or other means for fastening the SPD (NOTE 2)	3	6	11	16
– bodies (NOTES 1 and 2)	1,5	3	5,5	8
3) Between the metal parts of the disconnecter mechanism and				
– bodies (NOTE 1)	1,5	3	5,5	8
– screws or other means for fastening the SPD	1,5	3	5,5	8
<sup>a</sup> This column is only applicable for SPDs with $U_C$ lower or equal to 180 V.				
NOTE 1 For definition, see 8.3.6 a)				
NOTE 2 If clearances between live parts of the device and the metallic screen or the surface on which the SPD is mounted are dependent on the design of the SPD only and cannot be reduced when the SPD is mounted in the least favourable position (even in a metallic enclosure), the values of line 1) are sufficient.				

www.TeraStandard.com

Table 16 – Creepage distances for SPDs

r.m.s. voltage <i>b, c</i>	Minimum creepage distances in millimetres								
	Printed wiring material		Pollution degree						
	Pollution degree		1	2			3		
	1	2		All material groups	Material group <sup>a</sup>			Material group <sup>a</sup>	
V	All material groups	All material groups, except IIIb	All material groups	I	II	III	I	II	III <sup>d</sup>
10	0,025	0,04	0,08	0,4	0,4	0,4	1	1	1
12,5	0,025	0,04	0,09	0,42	4,42	4,42	1,0	1,05	1,05
16	0,025	0,04	0,1	0,45	0,45	0,45	1,1	1,1	1,1
20	0,025	0,04	0,11	0,48	0,48	0,48	1,2	1,2	1,2
25	0,025	0,04	0,125	0,5	0,5	0,5	1,2	1,25	1,25
32	0,025	0,04	0,14	0,53	0,53	0,53	1,3	1,3	1,3
40	0,025	0,04	0,16	0,56	0,8	1,1	1,4	1,6	1,8
50	0,025	0,04	0,18	0,6	0,85	1,2	1,5	1,7	1,9
63	0,04	0,063	0,2	0,63	0,9	1,25	1,6	1,8	2
80	0,063	0,1	0,22	0,67	0,95	1,3	1,7	1,9	2,1
100	0,1	0,16	0,25	0,71	1	1,4	1,8	2	2,2
125	0,16	0,25	0,28	0,75	1,05	1,5	1,9	2,1	2,4
160	0,25	0,4	0,32	0,8	1,1	1,6	2	2,2	2,5
200	0,4	0,63	0,42	1	1,4	2	2,5	2,8	3,2
250	0,56	1	0,56	1,25	1,8	2,5	3,2	3,6	4
320	0,75	1,6	0,75	1,6	2,2	3,2	4	4,5	5
400	1	2	1	2	2,8	4	5	5,6	6,3
500	1,3	2,5	1,3	2,5	3,6	5	6,3	7,1	8
630	1,8	3,2	1,8	3,2	4,5	6,3	8	9	10
800	2,4	4	2,4	4	5,6	8	10	11	12,5
1 000	3,2	5	3,2	5	7,1	10	12,5	14	16

<sup>a</sup> For further information on material groups refer to Table 17.

<sup>b</sup> This voltage is  
for functional insulation, the working voltage;  
for basic and supplementary insulation of the circuit energized directly from the supply mains, the voltage rationalized through Table F.3a or Table F.3b of IEC 60664-1, based on the rated voltage of the equipment, or the rated insulation voltage;  
for basic and supplementary insulation of systems, equipment and internal circuits not energized directly from the mains, the highest r.m.s. voltage which can occur in the system, equipment or internal circuit when supplied at rated voltage and under the most onerous combination of conditions of operation within equipment rating.

<sup>c</sup> For the main protection circuit, this column refers to  $U_C$ .

<sup>d</sup> Material IIIb shall not be used for application in pollution degree 3 above 630 V.

NOTE If the actual voltage differs from the values given in the table, it is allowed to interpolate values for intermediate voltages. When interpolating, linear interpolation should be used and values should be rounded to the same number of digits than the values picked from the table.

**Table 17 – Relationship between material groups and classifications**

<b>Material group I</b>	<b>600 ≤ CTI</b>
<b>Material group II</b>	<b>400 ≤ CTI &lt; 600</b>
<b>Material group IIIa</b>	<b>175 ≤ CTI &lt; 400</b>
<b>Material group IIIb</b>	<b>100 ≤ CTI &lt; 175</b>
Relationship between material groups and classifications are according to IEC 60112 (CTI values, using solution A).	

The measurements are carried out without conductors as well as with conductors of the greatest cross-sectional area indicated by the manufacturer. Nuts and screws with out-of-round heads are assumed to be in the least favourable tightening position.

If there is a partition, the air clearance is measured across the partition; where the partition consists of two parts which are not joined together, the air clearance is measured through the separating gap. Distances due to slits or holes in outer parts out of isolating material are measured against a metal foil on the touchable surface: for this purpose the foil is not pressed into the holes, but it shall be pushed into corners and similar by means of the test finger according IEC 60529.

In the case that there is a cavity in the course of the creepage distance, its profile is only considered if it is at least 1mm wide; cavities smaller than 1 mm are only considered in their width.

In the case that there is a partition made out of two parts which are not glued together, the creepage distance is measured through the separating gap. If the air gap between a live part and a partition with fitting surfaces is smaller than 1 mm, only the distance through the separating surface is considered, which is then looked upon as creepage distance. If not, the whole distance, namely the sum out of air gap and the distance through the separating surface, is taken as air clearance. If metal parts are covered with self-hardening resin of a least 2 mm thickness, or if they are covered with an insulation, withstanding a test voltage according to 8.3.7, creepage distances and air clearances are not necessary.

Casting material or resin shall not come over the rim of the cavity, it shall adhere to the walls of the cavity and the metal parts in it.

This is tested by examination and attempting to detach the casting material or resin without use of a tool.

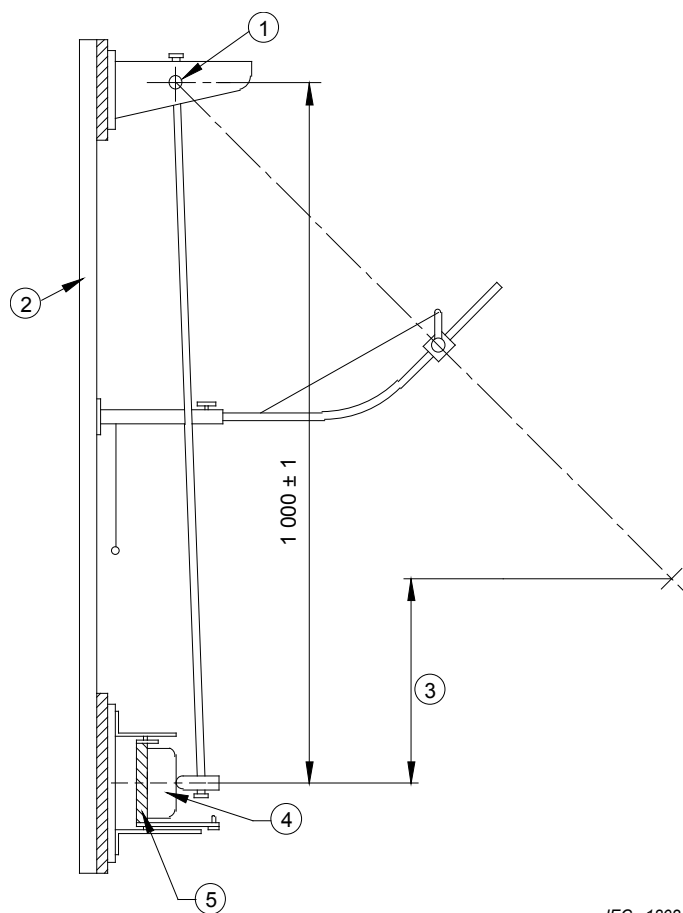
**8.4.4 Mechanical strength**

**8.4.4.1 Impact test**

SPDs shall have adequate mechanical strength so as to withstand the stresses imposed during installation and use.

Compliance is checked by the appropriate tests as follows:

The samples are subjected to strikes by means of an impact-test apparatus as shown in Figure 18 and Figure 19.

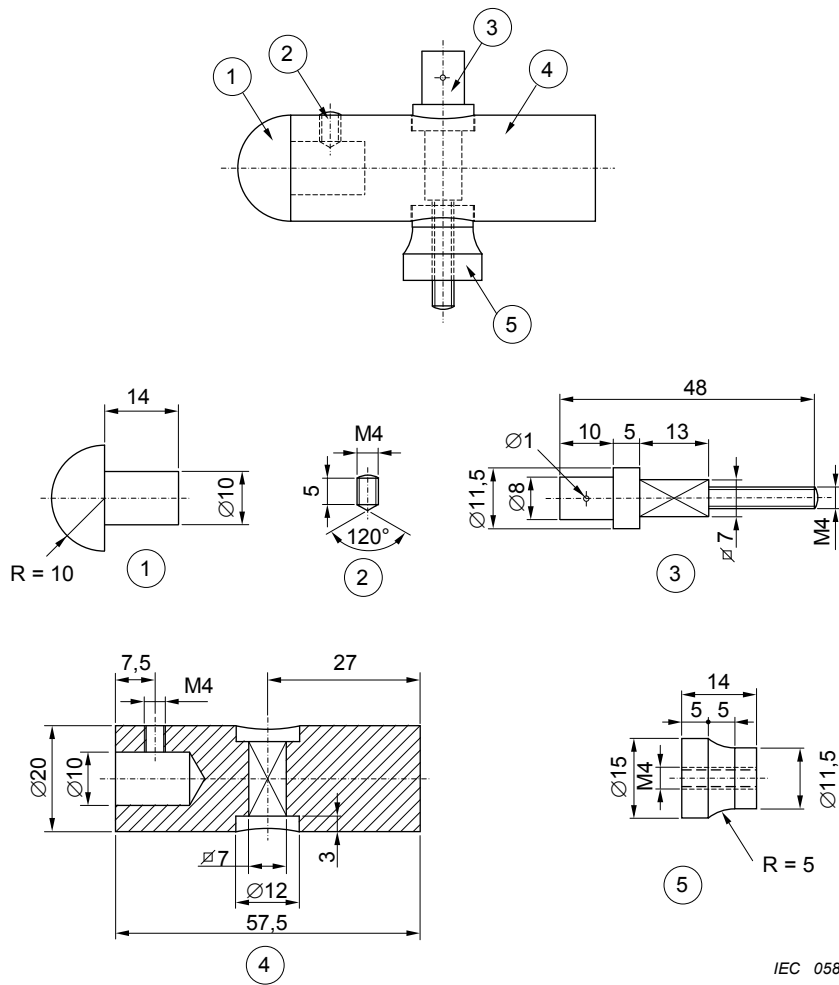


IEC 1802/01

*Dimensions in millimetres***Key**

- 1 Pendulum
- 2 Frame
- 3 Height of fall
- 4 Specimen
- 5 Mounting fixture

**Figure 18 – Test apparatus for impact test**



IEC 058/09

Dimensions in millimetres

**Key:**

1 Polyamide

2, 3, 4, 5 Steel Fe 360

**Figure 19 – Striking element of the pendulum hammer**

The striking element has a hemispherical face, 10 mm radius, made of polyamide having a Rockwell hardness of HR 100, and has a mass of 150 g ± 1 g.

It is rigidly fixed to the lower end of a steel tube with an external diameter of 9 mm and a wall thickness of 0,5 mm, which is pivoted at its upper end in such a way that it swings only in a vertical plane.

The axis of the pivot is 1 000 mm ± 1 mm above the axis of this striking element.

The Rockwell hardness of the polyamide striking element is determined by using a ball having a diameter of 12,700 mm ± 0,0025 mm, the initial load 100 N ± 2 N and the extra load 500 N ± 2,5 N.



NOTE Additional information concerning the determination of the Rockwell hardness of plastics is given in ISO 2039-2.

The design of the apparatus is such that a force of between 1,9 N and 2,0 N has to be applied to the face of the striking element to maintain the tube in a horizontal position.

The samples are mounted on a sheet of plywood, 8 mm thick and 175 mm square, secured at its top and bottom edges to a ridged bracket.

Portable SPDs are tested as fixed SPDs, but they are fixed to the plywood sheet by auxiliary means.

The mounting support shall have a mass of  $10 \text{ kg} \pm 1 \text{ kg}$  and shall be mounted on a rigid frame.

The design of the mounting is such that

- the sample can be so placed that the point of impact lies in the vertical plane through the axis of the pivot,
- the sample can be displaced horizontally and turned about an axis perpendicular to the surface of the plywood,
- the plywood can be turned around a vertical axis.

Flush-type SPDs are mounted in a recess provided in a block of hornbeam or material having similar mechanical characteristics, which is fixed to a sheet of plywood. (They are not tested in their relevant mounting boxes.)

If wood is used for the block, the direction of the wood fibres shall be perpendicular to the direction of the impact.

Flush-type screw fixing SPDs shall be fixed by means of screws to lugs recessed in the block. Flush-type claw fixing SPDs shall be fixed to the block by means of the claws.

Before applying the strikes, fixing screws of bases and covers are tightened with a torque equal to two-thirds of that specified in Table 10.

The samples are mounted so that the point of impact lies in the vertical plane through the axis of the pivot.

The striking element is allowed to fall from a height which is specified in the following Table 18.

**Table 18 – Fall distances for impact requirements**

Height of fall mm	Parts of enclosures to be subjected to the impacts	
	Ordinary accessory	Other accessories
100	A and B	A and B
150	C	C
200	D	D

A: parts on the front surface, including parts which are recessed.  
 B: parts which do not project more than 15 mm from the mounting surface (distance from the wall) after mounting as in normal use, with the exception of the above parts A.  
 C: parts which project more than 15 mm and not more than 25 mm from the mounting surface (distance from the wall) after mounting as in normal use, with the exception of the above parts A.  
 D: parts which project more than 25 mm from the mounting surface (distance from the wall) after mounting as in normal use, with the exception of the above parts A.

The heights of the fall determined by the part of the sample which projects most from the mounting surface is applied on all parts of the sample, with the exception of parts A.

The height of fall is the vertical distance between the position of a checking point when the pendulum is released, and the position of that point at the moment of impact. The checking point is marked on the surface of the striking element where the line through the point of intersection of the axes of the steel tube of the pendulum and the striking element and perpendicular to the plane through both axes, meets the surface.

The samples are subjected to strikes which are evenly distributed over the samples. The strikes are not applied to "knock-out" areas.

The following blows are applied:

- for parts A, five strikes: one in the centre. After the sample has been moved horizontally: one each on the unfavourable points between the centre and the edges; and then, after the sample has been turned 90° about its axis perpendicular to the plywood, one each on similar points;
- for parts B (as far as applicable), C and D, four blows:
  - one on one side of the sample after the plywood sheet has been turned 60° and one blow on another side of the sample after it has been turned 90° about its axis perpendicular to the plywood sheet, keeping the position of the plywood sheet unchanged;
  - one blow on each of the other two sides of the sample, with the plywood sheet turned 60° in the opposite direction.

### **Pass criteria**

After the test the sample shall show no damage within the meaning of the standard. In particular live parts shall not become accessible with the standard test finger.

Damage to the finish small dents which do not reduce creepage distances or clearances and small chips which do not adversely affect the protection against electric shock or harmful ingress of water are neglected.

Cracks not visible with the normal or corrected vision, without additional magnification, and surface cracks in fibre reinforced mouldings and the like are ignored.

## **8.5 Environmental and material tests**

### **8.5.1 Resistance to ingress of solid objects and to harmful ingress of water**

Testing shall be carried out in accordance with IEC 60529 to check the IP code.

### **8.5.2 Heat resistance**

The SPD is kept in a heated cabinet at a temperature of 100 °C ± 2 K for the duration of 1 h.

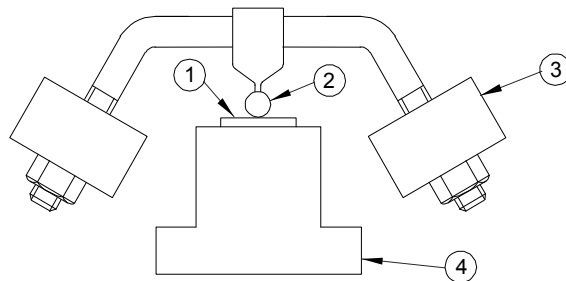
### **Pass criteria**

The pass criteria **C** and **I** according to Table 4 and the following additional pass criteria shall apply:

- any sealing compound (including potting) used in the internal assembly shall not move to such an extent as to create a problem for the functionality of the SPD
- the SPD is deemed to have passed the test even if a disconnecter has opened.

### 8.5.3 Ball pressure test

Outer parts of SPDs, consisting of insulating material, are submitted to a ball pressure test by means of a tester as shown on Figure 20 and Figure 21.

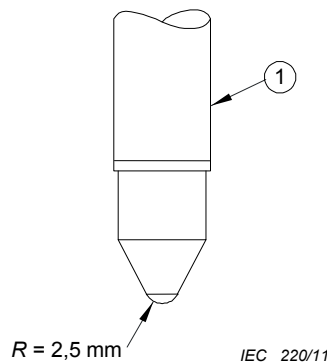


IEC 219/11

#### Key

- 1 Test specimen
- 2 Pressure ball
- 3 Weight
- 4 Specimen support

**Figure 20 – Ball thrust tester**



IEC 220/11

#### Key

- 1 Loading rod

**Figure 21 – Loading rod for ball thrust tester**

Parts of insulating material necessary to retain current carrying parts and parts of the earthing circuit in position are tested in a heating cabinet at  $125\text{ °C} \pm 2\text{ K}$ .

Parts of insulating material not necessary to retain current carrying parts and parts of the earthing circuit in position, even though they are in contact with them, are tested at  $70\text{ °C} \pm 2\text{ K}$ .

The sample to be tested is fastened accordingly, its surface being positioned horizontally; a steel ball having a diameter of 5 mm is pressed against the surface with a force of 20 N.

After 1 h, the steel ball is taken away from the sample; by dipping it into cold water, the temperature of the sample is reduced to ambient temperature within 10 s.

#### **Pass criteria**

The diameter of the ball indentation is measured and shall not exceed 2 mm.

NOTE Ceramic parts are not submitted to this test.

#### **8.5.4 Resistance to abnormal heat and fire**

The glow wire test is performed in accordance with Clauses 4 to 10 of IEC 60695-2-11 under the following conditions:

- for external parts of SPDs made of insulating material necessary to retain in position current-carrying parts and parts of the protective circuit, by the test made at a temperature of  $850\text{ °C} \pm 15\text{ K}$ ;
- for all other external parts made of insulating material, by the test made at a temperature of  $650\text{ °C} \pm 10\text{ K}$ .

The test is not made on parts of ceramic material and parts with lower size than defined in 3.1 of IEC 60695-2-11.

If the insulating parts are made of the same material, the test is carried out only on one of these parts, according to the appropriate glow-wire test temperature.

The glow-wire test is applied to ensure that an electrically heated test wire under defined test conditions does not cause ignition of insulating parts, or to ensure that a part of insulating material, which might be ignited by the heated test wire under defined conditions, has a limited time to burn without spreading fire by flame or burning parts or droplets falling down from the tested part.

The test is made on one sample.

In case of doubt, the test is repeated on two additional samples.

The test is made by applying the glow-wire once.

The sample shall be positioned during the test in the least favourable position of its intended use (with the surface tested in a vertical position).

The tip of the glow-wire shall be applied to the specified surface of the test sample taking into account the conditions of intended use under which a heated or glowing element may come into contact with the sample.

#### **Pass criteria**

The sample is regarded as having passed the glow-wire test if

- there is no visible flame and no sustained glowing, or if
- flames and glowing parts on the sample extinguish themselves within 30 s after the removal of the glow-wire.

There shall be no ignition of the tissue paper or scorching of the pinewood board.

### 8.5.5 Tracking resistance

The test is performed according to IEC 60112, solution A with a test voltage depending on the measured creepage distances and the required material group according 8.4.3.

## 8.6 Additional tests for specific SPD designs

### 8.6.1 Test for two-port SPDs and one-port SPDs with separate input/output terminals

#### 8.6.1.1 Rated load current ( $I_L$ )

The SPD shall be powered at a voltage  $U_c \begin{smallmatrix} 0 \\ -5 \end{smallmatrix}$  % at ambient temperature, using a cable with a nominal cross-section as specified in Table 19. The test shall be conducted with rated load current into a resistive load until thermal stability is reached. Additional cooling of the SPD is not permitted.

**Table 19 – Test conductors for rated load current test**

Test current [A]		Cross section	
Greater than	Less or equal	[mm <sup>2</sup> ]	AWG/MCM
0	8	1,0	18
8	12	1,5	16
12	15	2,5	14
15	20	2,5	12
20	25	4,0	10
25	32	6,0	10
32	50	10	8
50	65	16	6
65	85	25	4
85	100	35	3
100	115	35	2
115	130	50	1
130	150	50	0
150	175	70	00
175	200	95	000
200	225	95	0000
225	250	120	250
250	275	150	300
275	300	185	350
300	350	185	400
350	400	240	500

NOTE If other standardized cross-sections are used in specific countries, the next closest cross-section should be used for testing.

### Pass criteria

The pass criteria **C**, **F** and **G** according to Table 4 and the following additional pass criteria apply.

The temperature rise of surfaces which are accessible in normal use shall not exceed the values described in Annex G during the test.

**8.6.1.2 Overload behaviour**

The test is carried out at ambient temperature and the sample shall be protected against abnormal external heating or cooling.

The test circuit and procedure shall be as described in 8.6.1.1, except that circuits other than the main circuit are disregarded for this test.

The test is performed without any external disconnectors being connected (internal removable overcurrent protective devices are replaced by a link of negligible impedance).

If a maximum overcurrent protection is specified by the manufacturer, the SPD shall be loaded for 1 h with a current equal to *k* times that maximum overcurrent protection. The factor *k* shall be selected from Table 20.

**Table 20 – Current factor *k* for overload behaviour**

Protective device	Trip current factor <i>k</i>
Circuit breaker	1,45
Fuse	1,6
<p>NOTE 1 If the type of protective device (breaker or fuse) is not specified by the manufacturer, the test is performed with the higher <i>k</i> factor.</p> <p>NOTE 2 For countries using other values, these values should be declared on the SPD's data sheet according to 7.1.1 c7).</p> <p>NOTE 3 National condition for Japan: <i>k</i> is 1,25 for circuit-breaker and 1,5 for fuse.</p> <p>NOTE 4 National condition for North America: <i>k</i> is under consideration.</p>	

If no maximum overcurrent protection is specified by the manufacturer, the SPD shall be loaded with 1,1 times the rated load current for 1 h or until an internal disconnector operates. If no disconnector operates within 1 h, the test is continued by increasing the previous value of test current by a factor of 1,1 every hour, until an internal disconnector operates.

**Pass criteria**

a) Any internal disconnector has operated:

The pass criteria **C**, **H**, **I**, **J** and **M** according to Table 4 shall apply.

b) No internal disconnector has operated:

The pass criteria **C**, **D**, **E**, and **I** according to Table 4 shall apply.

In addition the temperature rise of surfaces which are accessible in normal use shall not exceed the values described in Annex G during the test.

**8.6.1.3 Load-side short-circuit current behaviour test**

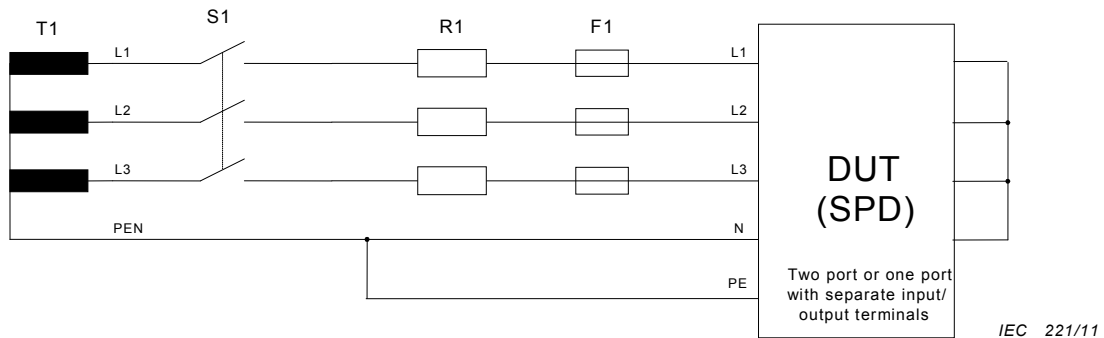
This test applies to all SPDs, except those classified for outdoor use and mounted out of reach and those connected N-PE for use in TN and/or TT systems only.

The test settings and the test procedure according to 8.3.5.3 (excluding 8.3.5.3.1) are repeated without short-circuiting any components, but with a short-circuit link connected to the following output terminals of the SPD as applicable:

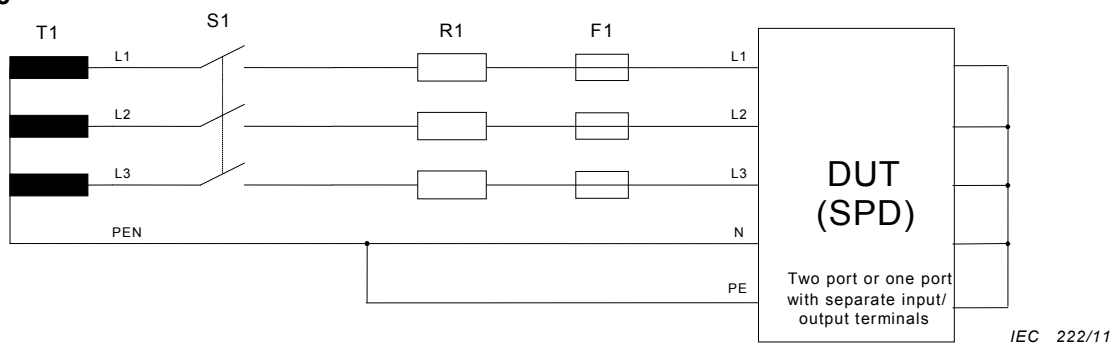
- short-circuit link across all phase terminals and the neutral terminal (if applicable) on the load side,
- short-circuit link across all terminals on the load side,

with a conductors of the largest cross-section specified under 8.4.2 and with a length of 500 mm each.

An example of appropriate test circuits is given in Figure 22



**a) Test with all phase terminals and the neutral terminal short-circuited on the load side**



**b) Test with all terminals short-circuited on the load side**

**Key**

S1	Main switch for synchronised initiation of the short-circuit
F1	All disconnectors required by the manufacturer, including the maximum recommended overcurrent protection according to manufacturers instructions
T1	Power supply transformer with a secondary voltage at $U_{REF}$
R1	Current limiting resistor to adjust the prospective short-circuit current of the power supply
DUT	Device under test

**Figure 22 – Examples for appropriate test circuits of the load side short-circuit test(s)**

**Pass criteria**

The pass criteria **C**, **E**, **H**, **I**, **J**, **K**, **M** and **N** according to Table 4 and the following additional pass criteria shall apply.

**a) Internal disconnector(s) have operated:**

- After removing the short-circuit links from output terminals and with  $U_{REF}$  applied according to the circuit shown in Figure 22, there shall be no voltage on the output terminals.
- With a power frequency voltage equal to two times  $U_C$  applied between all corresponding input and output phase terminals for 1 min there shall be no current flow in excess of 0,5 mA.

**b) No internal disconnector has operated:**

- The pass criteria **D** according to Table 4 shall apply.

## 8.6.2 Environmental tests for outdoor SPDs

See informative Annex F.

## 8.6.3 SPDs with separate isolated circuits

The isolation and dielectric withstand of the separate circuits shall be tested based on the manufacturer's declaration and in accordance with 8.3.6 and 8.3.7.

## 8.6.4 Short-circuiting type SPDs

For such SPD's a conditioning into an intentional short-circuit according 8.6.4.1 is carried out, followed by a surge withstand test according 8.6.4.2 and a short-circuit current behaviour test according 8.6.4.3.

### 8.6.4.1 Change of characteristic procedure (conditioning test)

One impulse of  $I_{trans}$  with positive polarity is applied to the de-energised SPD to change of characteristic of the SPD into an internal short-circuit. To check for the internal short-circuit an appropriate measurement shall be performed after this test.

### 8.6.4.2 Surge withstand test (in short-circuited condition)

One impulse of  $I_{trans}$  with positive polarity is applied to the de-energised SPD.

#### Pass criteria

The pass criteria **C**, **I** and **M** according to Table 4 shall apply

### 8.6.4.3 Short-circuit current behaviour test (in short-circuited condition)

#### Test settings

The test is performed according to 8.3.5.3 excluding 8.3.5.3.1 and 8.3.5.3.2, but without any sample preparation.

#### Pass criteria

The pass criteria **C**, **H**, **I**, **J**, **K**, **M** and **N** according to Table 4 shall apply

## 8.7 Additional tests for specific performance if declared by the manufacturer

### 8.7.1 Total discharge current test for multipole SPDs

#### Test settings

One side of the test generator is connected to the PE or PEN terminal of the multipole SPD. Each of the remaining SPD terminals is connected via a typical series impedance consisting of a resistance of 30 mΩ and an inductance of 25 μH, to the other side of the generator.

NOTE 1 These impedances simulate the connection to the power system and should not be increased by the measuring system, e.g. shunts.

NOTE 2 This test configuration does not represent all system configurations. Specific schemes or applications may require other testing procedures.

Smaller impedances may be used if the tolerances for the proportional surge currents according to Table 21 are met.

NOTE 3 The proportional surge current is the total discharge current divided by N, where N represents the number of live terminals (phases and neutral).



**Table 21 – Tolerances for proportional surge currents**

Test classification	Proportional currents and tolerances
Test class I	$I_{imp(1)} = I_{imp(2)} = I_{imp(N)} = I_{Total(imp)} / N \quad 10 \%$ $Q_{(1)} = Q_{(2)} = Q_{(N)} = Q_{Total} / N \quad -10/+20 \%$ $W/R_{(1)} = W/R_{(2)} = W/R_{(N)} = W/R_{Total} / N^2 \quad -10/+45 \%$
Test class II	$I_{8/20(1)} = I_{8/20(2)} = I_{8/20(N)} = I_{Total(8/20)} / N \quad \pm 10\%$

**Test procedure**

The multipole SPD shall be tested once with the total discharge current  $I_{Total}$  declared by the manufacturer.

**Pass criteria**

The pass criteria **B, C, D, E, G, I** and **M** according to Table 4 shall apply

**8.7.2 Test to determine the voltage drop**

A voltage  $U_c$  is supplied at the input port and shall be constant within  $-5 \%$ . The test shall be conducted with rated load current into a resistive load. Input and output voltage shall be measured simultaneously with load connected. Use the following formula to determine the voltage drop.

$$\Delta U \% = ((U_{in} - U_{out}) / U_{in}) 100 \%$$

where

$U_{in}$  is the input voltage and  $U_{out}$  is the output voltage measured simultaneously with a full rated resistive load connected. This parameter is only used for two-port SPDs.

Other measuring techniques are permitted provided they achieve comparable results.

**Pass criteria**

This value shall be recorded and comply with the manufacturer's declaration.

**8.7.3 Load-side surge withstand capability**

For this test:

- 15 current impulses 8/20, or
- 15 combination wave impulses with an open-circuit voltage  $U_{oc}$

with a value equal to the load-side surge withstand capability declared by the manufacturer are applied in three groups of five impulses to the output port of the test sample. The SPD is energized at  $U_c$  by means of a voltage source having a nominal current of at least 5 A. Each impulse shall be synchronized to the power frequency. Starting from  $0^\circ$  the synchronization angle shall be increased in steps of  $(30 \pm 5)^\circ$ .

The interval between the impulses is 50 s to 60 s and the interval between the groups is 30 min to 35 min.

The test sample shall be energized during the whole test sequence. The voltage on the output terminals shall be recorded.

**Pass criteria**

The pass criteria **A, B, C, D, E, F** and **G** according to Table 4 shall apply

#### 8.7.4 Measurement of voltage rate of rise $du/dt$

This test is performed on a de-energised two port SPD terminated with a resistive load, which would cause a current equal to 0,1 times the rated load current  $I_L$  at  $U_{REF}$ . A combination wave generator fulfilling the requirements of section 8.1.4 is connected to the input terminals of the two port device.

NOTE 1 During this test no power frequency source is applied to the SPD.

The generator is set to a  $U_{OC}$  of 6 kV, thereby providing an open circuit voltage rate of rise  $du/dt$  of approximately 5 kV/ $\mu$ s. A storage oscilloscope is connected to the output terminals of the two port SPD and the resultant wave shape recorded on application of the test impulse.

The maximum voltage rate of rise  $du/dt$ , is determined by measuring the difference in voltage and time between the  $t_{90}$  and the  $t_{30}$  points on the rising edge of the resultant waveform.

NOTE 2  $t_{90}$  and  $t_{30}$  are the 90 % and 30 % points on the leading edge of the waveform.

To accommodate the possibility of ringing on the wavefront, this test should be performed five times and the maximum  $du/dt$  recorded.

#### Pass criteria

The maximum voltage rate-of-rise shall be recorded and shall comply with the manufacturer's declaration.

## 9 Routine and acceptance tests

### 9.1 Routine tests

Appropriate test(s) are performed during manufacturing production to verify that the SPD is capable of meeting its performance. The manufacturer shall declare the test method(s).

### 9.2 Acceptance tests

Acceptance tests are made upon agreement between manufacturer and purchaser. When the purchaser specifies acceptance tests in the purchase agreement, the following tests shall be made on the nearest lower whole number to the cube root of the number of SPDs to be supplied. Any alteration in the number of test samples or type of test shall be negotiated between the manufacturer and the purchaser.

If not otherwise specified, the following tests are specified as acceptance tests:

- a) verification of identification by inspection as per 8.2;
- b) verification of marking by inspection as per 8.2;
- c) verification of electrical parameters (e.g. measured limiting voltage as per 8.3.3).

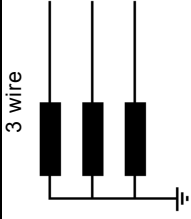
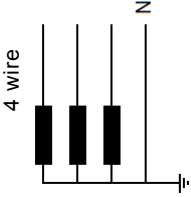
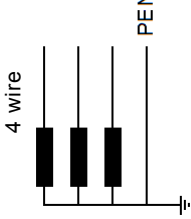
## **Annex A** (normative)

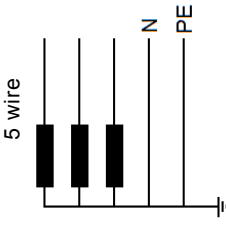
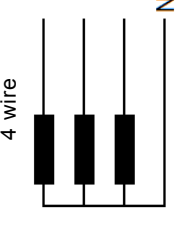
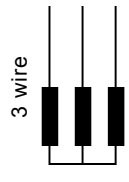
### **Reference test voltages for SPDs $U_{REF}$**

The reference test voltage  $U_{REF}$  depends on the intended application of an SPD within a low-voltage power distribution system according to the installation instructions given by the manufacturer:

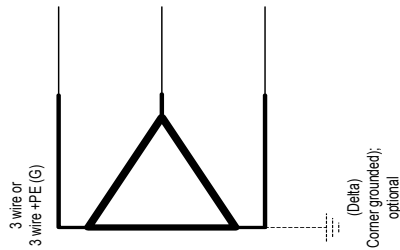
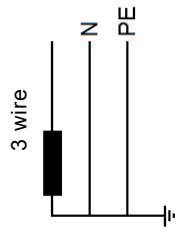
- type of LV systems (TN-system, TT-system, IT-system)
- intended connection (line to neutral, line to ground, neutral to ground, line to line)
- nominal a.c. system voltages and maximum allowed voltage regulation.

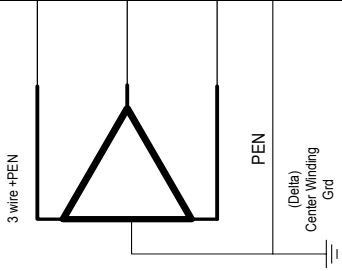
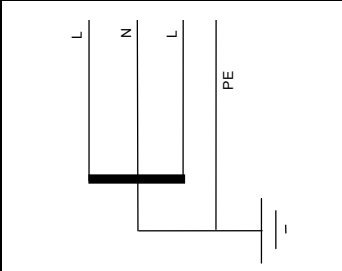
Table A.1 – Reference test voltage values

Power distribution system	Nominal AC system voltage L-PE / L-L V	Expected voltage regulation of the power distribution system max +(%)	Reference test voltage $U_{REF}$ (depending on the mode of protection) V			
			L - N (PEN)	L - PE	L - L	N - PE
Three phase TT-system Without PE and Neutral distribution 	230 / 400	10	---	440	---	
Three phase TT-system With Neutral distribution 	230 / 400	10	255	440	255	
Three phase TN-C system with PEN distribution 	230 / 400	10	255	440	---	

Power distribution system	Nominal AC system voltage L-PE / L-L V	Expected voltage regulation of the power distribution system max +(%)	Reference test voltage $U_{REF}$ (depending on the mode of protection) V			
			L - N (PEN)	L - PE	L - L	N - PE
Three phase TN-S-system with PE and neutral distribution  	230 / 400	10	255	255	440	255
	240 / 415	6	255	255	440	255
	120 / 208	10	132	132	230	50
Three phase IT-system with neutral distribution  	277 / 480	10	305	305	530	115
	230 / 400	10	440	440	255	255
Three phase IT-system without neutral distribution  	230	10	---	255	255	---

Power distribution system	Nominal AC system voltage L-PE / L-L V	Expected voltage regulation of the power distribution system max +(%)	Reference test voltage $U_{REF}$ (depending on the mode of protection) V			
			L - N (PEN)	L - PE	L - L	N - PE
Single phase TN-S-system	230	10	255	255	---	255
	120		132	132	---	132
Three phase (Delta) Corner grounded TN system or TT or IT system	230	10	---	264	264	---
	200 (202)		222	222	222	---
	460		528	528	528	---



Power distribution system	Nominal AC system voltage L-PE / L-L V	Expected voltage regulation of the power distribution system max +(%)	Reference test voltage $U_{REF}$ (depending on the mode of protection) V			
			L - N (PEN)	L - PE	L - L	N - PE
Three phase (Delta) Central winding grounded TN system or TT system 	230	10	264	264	---	
	200 (202)		129 192	222		
	460		528	528	---	
Split phase TN system 	120 / 240	10	132	264	132	

NOTE If higher voltage regulation is required for certain applications (for example +15%), subject to a special agreement between the manufacturer and the user.

## Annex B (normative)

### TOV Ratings

The test procedure depends on the intended application of an SPD in a low-voltage power distribution system according to the installation instructions given by the manufacturer.

For systems defined in IEC 60364 series, values are given below in Table B.1.

**Table B.1 – TOV test values for systems complying with IEC 60364 series**

Application	TOV test parameters		
SPDs connected to:	For $t_T=5$ s (LV-system faults in consumer installation) (requirement to 7.2.8.1 and test 8.3.8.1)	For $t_T=120$ min (LV-system faults in distribution system and loss of neutral (requirement to 7.2.8.1 and test 8.3.8.1)	For $t_T=200$ ms (HV-system faults) (requirement to 7.2.8.2 and test 8.3.8.2)
	Withstand mode required	Withstand or safe failure mode acceptable	Withstand or safe failure mode acceptable
<b>TOV test values <math>U_T</math> (V)</b>			
<b>TN-systems</b>			
Connected L-(PE)N or L-N	$1,32 \times U_{REF}$	$\sqrt{3} \times U_{REF}$	
Connected N-PE			
Connected L-L			
<b>TT-systems</b>			
Connected L-PE	$\sqrt{3} \times U_{REF}$	$1,32 \times U_{REF}$	$1\ 200 + U_{REF}$
Connected L-N	$1,32 \times U_{REF}$	$\sqrt{3} \times U_{REF}$	
Connected N-PE			1 200
Connected L-L			
<b>IT-systems</b>			
Connected L-PE			$1\ 200 + U_{REF}$
Connected L-N	$1,32 \times U_{REF}$	$\sqrt{3} \times U_{REF}$	
Connected N-PE			$1\ 200 + U_{REF}$
Connected L-L			
$U_{REF}$	reference test voltage used for testing and taking into account the maximum voltage regulation of the power system (see Annex A).		
$U_0$	in TN- and TT-systems: nominal a.c. r.m.s. line voltage to earth; in IT-systems: nominal a.c. voltage between line conductor and neutral conductor or midpoint conductor, as appropriate (see 442.1.2 of IEC 60364-4-44:2007).		
$1,32 \times$	$U_{REF}$ equals $1,45 \times U_0$ in case the voltage regulation does not exceed +10 % (see 442.5 of IEC 60364-4-44:2007).		
<b>NOTE</b> As voltage regulation exceeds 10 % in some countries, only $U_{REF}$ is used in this standard for general applicability. Further information on voltage regulation can be found in IEC 60038.			



## **B.1 Special distribution system requirements**

Some countries require additional TOV test values and testing durations as given below.

For specific applications with conditions different than the ones given in Table B.1 and different from the special distribution system requirements given below, the TOV test values  $U_T$  and the testing duration may be defined by agreement between the manufacturer and the user, depending on actual network configurations and conditions. The values of  $U_T$  and the corresponding duration(s) shall be declared on the SPDs data sheet according to 7.1.1 c1).

For North American systems the values are given below in Table B.2.

### **Table B.2 – TOV test parameters for North American systems**

Values are under consideration

For Japanese system values are given below in Table B.3.

**Table B.3 – TOV test parameters for Japanese systems**

Application	TOV test parameters			
	LV system faults	HV system faults		
SPDs connected to:	for $t_T=120$ min	Not specified duration	for $t_T=2$ s	for $t_T=1$ s
	(LV-system faults in distribution system and loss of neutral (requirement to 7.2.8.1 and test 8.3.8.1))	Withstand or safe failure mode acceptable		
<b>TOV test values <math>U_T</math> [V]</b>				
<b>TN systems</b>				
Connected L-N(PE) or L-N	$\sqrt{3} \times U_{REF}$			
Connected N-PE				
Connected L-L				
<b>TT systems</b>				
Connected L-PE	$\sqrt{3} \times U_{REF}$	$150 + U_{REF}$	$300 + U_{REF}$	$600 + U_{REF}$
Connected L-N	$\sqrt{3} \times U_{REF}$			
Connected N-PE		150	300	600
Connected L-L				
<b>IT systems</b>				
Connected L-PE				$1\,200 + U_{REF}$
Connected L-N	$\sqrt{3} \times U_{REF}$			
Connected N-PE				$1\,200 + U_{REF}$
Connected L-L				
$U_{REF}$	reference test voltage used for testing and taking into account the maximum voltage regulation of the power system (see Annex A).			
NOTE 1 These values are required by ministerial ordinance of technical standards for electrical facilities.				
NOTE 2 As voltage regulation exceeds 10 % in some countries, $U_{REF}$ is used in this standard only for general applicability. Further information on voltage regulation can be found in IEC 60038.				

## Annex C (normative)

### Tests to determine the presence of a switching component and the magnitude of the follow current

These tests should be performed by the manufacturer to provide the information required according to 7.1.1 d1) and/or 7.1.1 d2).

#### C.1 Test to determine the presence of a switching (crowbar) component

This test has to be performed only if the internal design of the SPD is not known. A new sample shall be used for this test only.

The standard 8/20 current impulse is used for class I and class II tests of SPDs with a crest value according to  $I_n$  or  $I_{imp}$  as declared by the manufacturer. For class III test of an SPD, a combination wave generator shall be used with an open-circuit voltage equal to the  $U_{oc}$  declared by the manufacturer.

One impulse shall be applied to the SPD (in the case of a two-port SPD, the impulse shall be applied to its input and output terminals).

Oscillographic record of the voltage across the SPD shall be taken (in the case of a two-port SPD, the voltage measurement shall be taken across the input terminal of the SPD).

If the waveshape of the recorded voltage shows a sudden collapse, the SPD is considered as containing a switching (crowbar) component.

#### C.2 Test to determine the magnitude of the follow current

This test is intended to determine if the crest value of the follow current is above or below 500 A.

If the internal design and the crest value of the follow current of the SPD are known, this preliminary test is not required.

- a) The test shall be made with a separate test sample.
- b) The prospective short-circuit current shall be  $I_p = 1,5 \text{ kA}$  with a power factor  $\cos \varphi = 0,95 \begin{smallmatrix} 0 \\ -0,05 \end{smallmatrix}$ .
- c) It is connected to a power frequency voltage source with sinusoidal a.c. voltage. The power frequency voltage measured at the terminals, shall be the maximum equal to the continuous maximum operating voltage  $U_{C-5}^0$  %. The frequency of the a.c. voltage source shall correspond to the rated frequency of the SPD.
- d) The follow current shall be initiated with an impulse current 8/20 or a combination wave.
- e) The crest value shall correspond to  $I_n$ ,  $I_{imp}$  or  $U_{oc}$ .
- f) The current impulse shall be initiated 60 electrical degrees before the crest of the power frequency voltage. Its polarity shall coincide with the polarity of the half wave of the power frequency voltage in which it is initiated.

- g) If at this synchronization point there is no follow current, then the impulse current 8/20 has to be initiated later in steps of 10 electrical degrees each in order to determine if a follow current is generated.

**Annex D**  
(normative)

**Reduced test procedures**

Number of samples to be submitted and test sequence to be applied for verification of conformity.

For products already tested according to IEC 61643-1:2005, the simplified test procedure according to Table D.1 may be applied.

For new products, complete type tests and samples according to Clause 7 and Table 3 are required.

**Table D.1 – Reduced test procedure for SPDs complying with IEC 61643-1:2005**

Test sequence	Test description	Subclause	Testing required
<b>1</b>	Identification and marking	7.1.1/7.1.2/8.2	Yes
	Mounting	7.3.1	No
	Terminals and connections	7.3.2/7.3.3/8.4.2	No
	Testing for protection against direct contact	7.2.1/8.3.1	No
	Environment, IP code	7.4.1 / 8.5.1	No
	Residual current	7.2.2 / 8.3.2	Yes
	Operating duty test	7.2.4/8.3.4	No
	Operating duty test for test classes I, II and III	8.3.4.2 / 8.3.4.3/ 8.3.4.5	No
	Additional duty test for test class I	8.3.4.4	No
	Thermal stability	7.2.5.2 / 8.3.5.2	Yes
	Air clearances and creepage distances	7.3.4 / 8.4.3	Yes
	Ball pressure test	7.4.2 / 8.5.3	No
	Resistance to abnormal heat and fire	7.4.3 / 8.5.4	No
Tracking resistance	7.4.4 / 8.5.5	No	
<b>2</b>	Voltage Protection level	7.2.3/8.3.3	No
	Residual voltage	8.3.3.1	No
	Front of wave sparkover voltage	8.3.3.2	No
	Limiting voltage with combination wave	8.3.3.3	No
<b>2a</b>	See below - only if applicable		
<b>2b</b>	See below - only if applicable		
<b>3</b>	Insulation resistance	7.2.6 / 8.3.6	No
	Dielectric withstand	7.2.7 / 8.3.7	No
<b>3a</b>	See below - only if applicable		
	Mechanical strength	7.3.5 / 8.4.4	No
	Temperature withstand	7.2.5 / 8.3.5.1	No
<b>3b</b>	See below - only if applicable		
<b>3c</b>	See below - only if applicable		
<b>4<sup>c</sup></b>	Heat resistance	7.4.2 / 8.5.2	No
	TOV tests	7.2.8 / 8.3.8	Yes
	TOVs caused by faults in the low voltage system	7.2.8.1 / 8.3.8.1	Yes
	TOVs caused by faults in the high voltage system	7.2.8.2 / 8.3.8.2	Yes
<b>5<sup>c</sup></b>	Short-circuit current behaviour tests	7.2.5 / 8.3.5.3	Yes

Test sequence	Test description	Subclause	Testing required
<b>3c<sup>c</sup></b>	Rated load current	7.5.1.1 / 8.6.1.1	Yes
	Overload behaviour	7.5.1.2 / 8.6.1.2	Yes
<b>2b</b>	Load side short-circuit current behaviour	7.5.1.3 / 8.6.1.3	Yes
<b>3b</b>	Voltage drop	7.6.2.1 / 8.7.2	No
<b>2a<sup>c</sup></b>	Load side surge withstand	7.6.2.2 / 8.7.3	Yes
	Load side short-circuit current behaviour test	7.5.1.3 / 8.6.1.3	Yes
<b>6</b>	Total discharge current test for multipole SPDs	7.6.1.1 / 8.7.1	Yes
<b>7</b>	For SPDs classified outdoor	7.5.2 / 8.6.2	Yes
<b>3a</b>	Isolation between separate circuits	7.5.3 / 8.3.6 / 8.3.7	No
<b>8</b>	Change of characteristic procedure (preconditioning to short-circuited condition)	7.5.4 / 8.6.4	Yes
	Surge withstand test (in short-circuited condition)	7.5.4 / 8.6.4	Yes
	Short-circuit current behaviour test (in short-circuited condition)	7.5.4 / 8.6.4	Yes

<sup>c</sup> For this test sequence more than one set of samples may be needed.

### Annex E (informative)

#### Alternative circuits for testing SPDs under TOVs caused by faults in the high (medium) voltage system

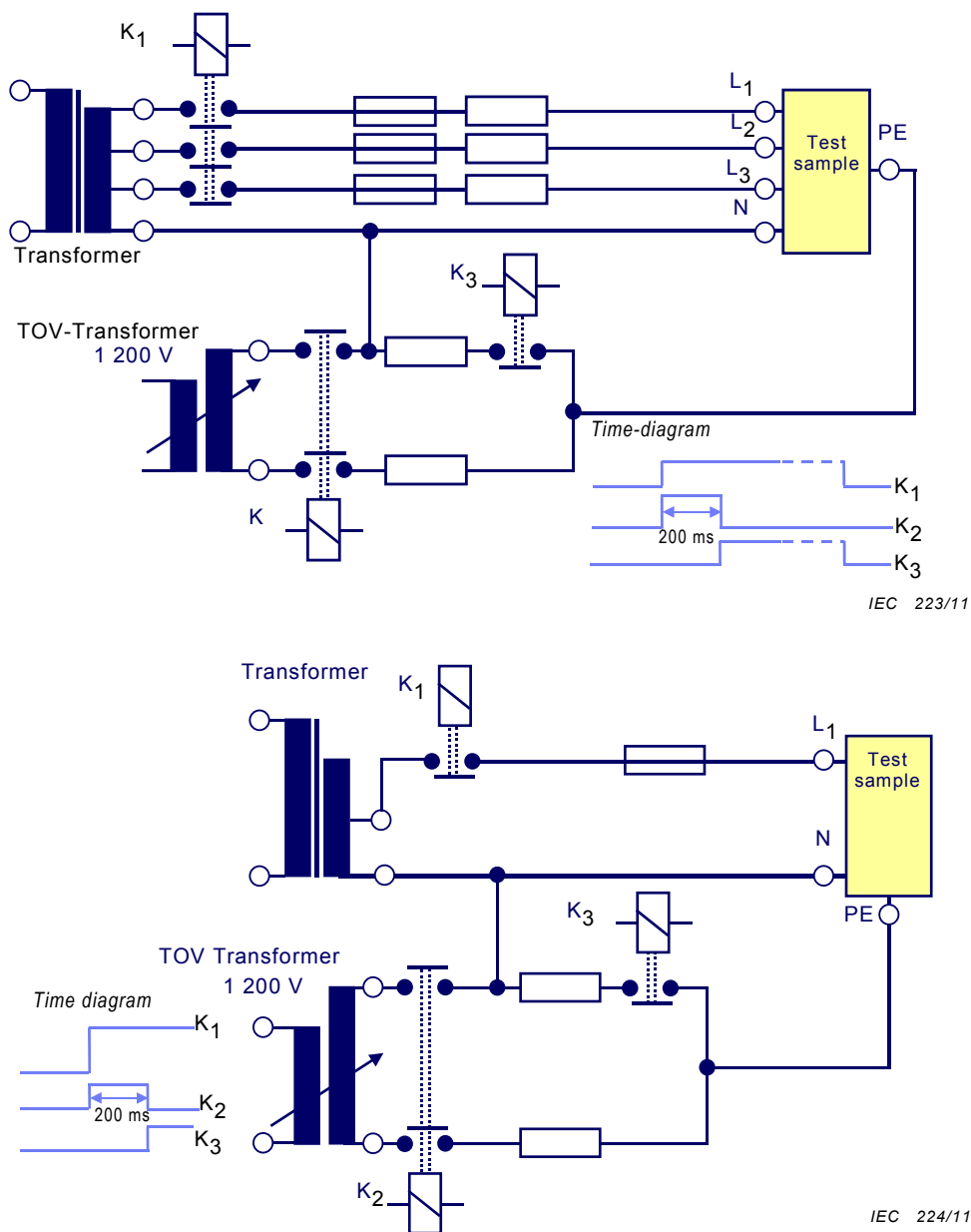


Figure E.1 – Examples of a three-phase and single-phase circuit for use in testing SPDs under TOVs caused by faults in the high (medium) voltage system

## Annex F (informative)

### Environmental tests for outdoor SPDs

#### F.1 Accelerated aging test with UV radiation

Expose three complete SPDs, as to be installed for outdoor use, to 1 000 h of UV radiation (UV-B) and water spray as follows: 500 cycles of 120 min each, consisting of 102 min of UV light at 60 °C, 18 min of UV light and water spray at 65 °C and 65 % RH. The UV radiation shall be according to ISO 4892-2, method A. ISO 4892-1 and ASTM 151 are to be used for general guidance for the test.

The samples shall be connected to a power source at  $U_c$  during the test and residual current shall be monitored at 120 min intervals. After completion of this test, the samples shall be tested according to F.2.

##### Pass criteria

During and after the test the samples shall be visually inspected for voids, cracks, tracking and surface erosion. The residual currents shall not increase by more than 10 %. The degree of tracking, surface erosion and cracking shall be assessed to determine if this will compromise the enclosure of the product to meet the other electrical and mechanical performance requirements of this standard.

#### F.2 Water immersion test

The test is performed in accordance with Figure 8 of IEC 60099-4. The test samples shall be kept immersed in a vessel, in boiling de-ionized water with 1 kg/m<sup>3</sup> of NaCl, for 42 h.

NOTE 1 The characteristics of the water described above are those measured at the beginning of the test.

NOTE 2 This temperature (boiling water) can be reduced to 80 °C (with a minimum duration of 168 h, e.g. one week) when the manufacturer claims that the material of the sealing system is not able to withstand the boiling temperature for a duration of 42 h.

At the end of boiling, the SPD shall remain in the vessel until the water has cooled down to approximately 20 °C ( $\pm 15$  °C) and shall be maintained in the water till the verification tests are performed. After the water immersion test the samples shall be subjected the dielectric test (see F.3).

#### F.3 Dielectric test

The test samples shall be subjected to a dielectric test at a power frequency sinusoidal voltage of 1 000 V plus twice the reference test voltage  $U_{REF}$  for 1 min and the leakage current shall be measured. The test voltage shall be applied as follows:

##### a) SPD with metallic housing with or without mounting bracket

The voltage shall be applied between all terminals or external leads which are not internally connected to the housing, neither directly nor through surge protective components, connected together, and the metallic housing. If all terminals and external leads are connected directly or through components to the conductive housing, this test is not performed.

##### b) SPD with non-conductive housing with non-conductive or without mounting bracket



The non-conductive housing shall be tightly wrapped in conductive foil to within 15 mm of any non-insulated lead or terminal. The voltage shall be applied between the conductive foil and all terminals or external leads connected together.

#### **c) SPD with non-conductive housing with metallic mounting bracket**

The non-conductive housing shall be tightly wrapped in conductive foil to within 15 mm of any non-insulated lead, terminal and the metallic mounting bracket. The voltage shall be applied between the conductive foil and all terminals, external leads and mounting bracket connected together.

NOTE The purpose of the dielectric test is to determine if a void has been created that allowed the sample to ingest conductive liquid during the spray or water immersion tests.

#### **Pass criteria**

The leakage current measured during this test shall not exceed 25 mA.

### **F.4 Temperature cycle test**

The test shall be performed according to IEC 60068-2-14 with 5 cycles with a lower temperature of  $-40\text{ °C}$  and with an upper temperature of  $+100\text{ °C}$ . The time duration for each half cycle is 3 h and the temperature change shall occur within 30 s.

#### **Pass criteria**

During and after the test, the samples shall be visually inspected for voids, cracks, tracking and surface erosion. The residual currents shall not increase by more than 10 %. The degree of tracking, surface erosion and cracking shall be assessed to determine if this will compromise the enclosure of the product to meet the other electrical and mechanical performance requirements of this standard.

### **F.5 Verification of resistance to corrosion**

SPDs with exposed metal parts shall be subjected to the test and shall be mounted as for normal use according to the manufacturer's instructions.

The enclosure or samples shall be new and in a clean condition. The samples shall be subjected to the following test:

- 12 cycles of 24 h, damp heat cycling test according to test Db of IEC 60068-2-30 at  $40\text{ °C}$  and relative humidity of 95 %;
- 14 cycles of 24 h, salt mist test according to test Ka of IEC 60068-2-11 at a temperature of  $(35 \pm 2)\text{ °C}$ .

After the test, the samples shall be washed in running tap water for 5 min, rinsed in distilled or demineralized water then shaken or subjected to air blast to remove water droplets. The specimen under test shall then be stored under normal service conditions for 2 h.

#### **Pass criteria**

Compliance is checked by visual inspection to ensure that:

- there is no evidence of rust, cracking or other deterioration. However, surface deterioration of any protective coating is allowed. In case of doubt, reference shall be made to ISO 4628-3 to verify that the samples conform to the specimen Ri1;
- seals are not damaged;
- any moving parts (disconnectors) work without abnormal effort.

## Annex G (normative)

### Temperature rise limits

**Table G.1 – Temperature-rise limits**

Parts of SPD	Temperature rise K
Built-in components <sup>a</sup>	In accordance with the relevant product standard requirements for the individual components or, in accordance with the component manufacturer's instructions <sup>f</sup> , taking into consideration the temperature in the SPD
Terminals for external insulated conductors	70 <sup>b</sup>
Busbars and conductors, plug-in contacts of removable or withdrawable parts which connect to busbars	Limited by: <ul style="list-style-type: none"> <li>– mechanical strength of conducting material <sup>g</sup>;</li> <li>– possible effect on adjacent equipment;</li> <li>– permissible temperature limit of the insulating materials in contact with the conductor;</li> <li>– effect of the temperature of the conductor on the apparatus connected to it;</li> <li>– for plug-in contacts, nature and surface treatment of the contact material.</li> </ul>
Manual operating means: <ul style="list-style-type: none"> <li>– of metal</li> <li>– of insulating material</li> </ul>	15 <sup>c</sup> 25 <sup>c</sup>
Accessible external enclosures and covers: <ul style="list-style-type: none"> <li>– metal surfaces</li> <li>– insulating surfaces</li> </ul>	30 <sup>d</sup> 40 <sup>d</sup>
Discrete arrangements of plug and socket-type connections	Determined by the limit for those components of the related equipment of which they form part <sup>e</sup>
<p><sup>a</sup> The term "built-in components" means:</p> <ul style="list-style-type: none"> <li>– conventional switchgear and controlgear;</li> <li>– electronic sub-assemblies (e.g. rectifier bridge, printed circuit);</li> <li>– parts of the equipment (e.g. regulator, stabilized power supply unit, operational amplifier).</li> </ul> <p><sup>b</sup> An SPD used or tested under installation conditions may have connections, the type, nature and disposition of which will not be the same as those adopted for the test, and a different temperature rise of terminals may result. Where the terminals of the built-in component are also the terminals for external insulated conductors, the lower of the corresponding temperature-rise limits shall be applied.</p> <p><sup>c</sup> Manual operating means within SPDs which are only accessible after the SPD has been opened, for example draw-out handles which are operated infrequently, are allowed to assume a 25 K increase on these temperature-rise limits.</p> <p><sup>d</sup> Unless otherwise specified, in the case of covers and enclosures, which are accessible but need not be touched during normal operation, a 10 K increase on these temperature-rise limits is permissible.</p> <p><sup>e</sup> This allows a degree of flexibility in respect of equipment (e.g. electronic devices) which is subject to temperature-rise limits different from those normally associated with switchgear and controlgear.</p> <p><sup>f</sup> For temperature-rise tests according to 8.6.1.1, the temperature-rise limits shall be specified by the manufacturer of the SPD.</p> <p><sup>g</sup> Assuming all other criteria listed are met, a maximum temperature rise of 105 K for bare copper busbars and conductors shall not be exceeded. The 105 K relates to the temperature above which annealing of copper is likely to occur.</p>	

## Bibliography

IEC 60038, *IEC standard voltages*

IEC 60050-151, *International Electrotechnical Vocabulary – Part 151: Electrical and magnetic devices*

IEC 60060-2, *High-voltage test techniques – Part 2: Measuring systems*

IEC 60068-2-11:1981, *Environmental testing – Part 2-11: Tests – Test Ka: Salt mist*

IEC 60068-2-14:2009, *Environmental testing – Part 2-14: Tests – Test N: Change of temperature*

IEC 60068-2-30, 2005, *Environmental testing – Part 2-30: Tests – Test Db: Damp heat, cyclic (12 h + 12 h cycle)*

IEC 60099-4:2004, *Surge arresters – Part 4: Metal-oxide surge arresters without gaps for a.c. systems*

IEC 60320 (all parts), *Appliance couplers for household and similar general purposes*

IEC 60364-4-44:2007, *Low-voltage electrical installations – Part 4-44: Protection for safety – Protection against voltage disturbances and electromagnetic disturbances*

IEC 60364-5-51, *Electrical installations of buildings – Part 5-51: Selection and erection of electrical equipment – Common rules*

IEC 60364-5-53:2001, *Electrical installations of buildings – Part 5-53: Selection and erection of electrical equipment – Isolation, switching and control*

IEC 60884-1, *Plugs and socket-outlets for household and similar purposes – Part 1: General requirements;*

IEC 60947-1, *Low-voltage switchgear and control gear – Part 1: General rules*

IEC 60947-5-1, *Low-voltage switchgear and control gear – Part 5-1: Control circuit devices and switching elements – Electromechanical control circuit devices*

IEC 60950-1, *Information technology equipment – Safety – Part 1: General requirements*

IEC 61008-1, *Residual current operated circuit-breakers without integral overcurrent protection for household and similar uses (RCCBs) – Part 1: General rules*

IEC 61643-1:2005, *Low-voltage surge protective devices – Part 11: Surge protective devices connected to Low-voltage power distribution systems – Performance requirements and testing methods*

IEC 61643-12, *Low-voltage surge protective devices – Part 12: Surge protective devices connected to low-voltage power distribution systems – Selection and application principles*

IEC 62305 (all parts), *Protection against lightning*

ISO 2039-2:1987, *Plastics – Determination of hardness – Part 2: Rockwell hardness*

ISO 4892-1:2006, *Plastics – Methods of exposure to laboratory light services – Part 1: General guidance*

ISO 4892-2: 2006, *Plastic – Methods of exposure to laboratory light services – Part 2: Xenon arc lamps*

ISO 4892-3: 2006, *Plastic – Methods of exposure to laboratory light services – Part 3: Fluorescent UV lamps*

IEEE C62.45:2008, *IEEE Guide on surge testing for equipment connected to low-voltage AC power circuits*

ASTM 151 – *Ultra Violet radiation test methods*





## SOMMAIRE

AVANT-PROPOS.....	105
INTRODUCTION.....	107
1 Domaine d'application .....	108
2 Références normatives.....	108
3 Termes, définitions et abréviations .....	108
3.1 Termes et définitions.....	109
3.2 Abréviations .....	114
4 Conditions de service .....	116
4.1 Fréquence.....	116
4.2 Tension .....	116
4.3 Pression atmosphérique et altitude.....	116
4.4 Températures.....	116
4.5 Humidité.....	116
5 Classification.....	116
5.1 Nombre de ports.....	116
5.1.1 Un .....	116
5.1.2 Deux.....	116
5.2 Conception du parafoudre .....	116
5.2.1 A coupure de tension.....	116
5.2.2 A limitation de tension .....	116
5.2.3 A protection combinée .....	116
5.3 Essais de classe I, II et III .....	116
5.4 Emplacement .....	117
5.4.1 En intérieur.....	117
5.4.2 En extérieur.....	117
5.5 Accessibilité .....	117
5.5.1 Accessible.....	117
5.5.2 Inaccessible .....	117
5.6 Méthode d'installation.....	118
5.6.1 Permanente.....	118
5.6.2 Mobile .....	118
5.7 Déconnecteurs (comportant une protection contre les surintensités) .....	118
5.7.1 Emplacement.....	118
5.7.2 Fonctions de protection .....	118
5.8 Degré de protection procuré par les enveloppes.....	118
5.9 Domaines de température et d'humidité.....	118
5.9.1 Normal .....	118
5.9.2 Etendu.....	118
5.10 Réseau d'alimentation électrique.....	118
5.10.1 Courant alternatif, de fréquence comprise entre 47 Hz et 63 Hz .....	118
5.10.2 Courant alternatif, de fréquence différente de la plage 47 Hz à 63 Hz.....	118
5.11 Parafoudre multipôle .....	118
5.12 Comportement des parafoudres à leur mise en défaut.....	118
5.12.1 Circuit ouvert (parafoudre de type standard).....	118
5.12.2 Court-circuit (parafoudre de type à court-circuit).....	118
6 Valeurs préférentielles pour les parafoudres.....	118

6.1	Valeurs préférentielles de courant de choc de décharge $I_{imp}$ pour des essais de classe I.....	118
6.2	Valeurs préférentielles de courant nominal de décharge $I_n$ pour des essais de classe II.....	119
6.3	Valeurs préférentielles de tension en circuit ouvert $U_{oc}$ pour des essais de classe III .....	119
6.4	Valeurs préférentielles de niveau de protection en tension $U_p$ .....	119
6.5	Valeurs préférentielles de tension maximale efficace de régime permanent $U_c$ .....	119
7	Exigences .....	119
7.1	Exigences générales .....	119
7.1.1	Identification.....	119
7.1.2	Marquage .....	121
7.2	Exigences électriques .....	121
7.2.1	Protection contre les contacts directs .....	121
7.2.2	Courant résiduel $I_{PE}$ .....	121
7.2.3	Niveau de protection en tension $U_p$ .....	121
7.2.4	Régime de fonctionnement .....	122
7.2.5	Déconnecteurs et indicateurs d'état.....	122
7.2.6	Résistance d'isolement.....	123
7.2.7	Rigidité diélectrique.....	123
7.2.8	Comportement vis à vis des surtensions temporaires .....	123
7.3	Exigences mécaniques.....	123
7.3.1	Montage .....	123
7.3.2	Vis, parties conductrices et connexions .....	124
7.3.3	Connexions externes .....	124
7.3.4	Distances dans l'air et lignes de fuite.....	125
7.3.5	Résistance mécanique.....	125
7.4	Exigences relatives à l'environnement et aux matériaux .....	126
7.4.1	Degré de protection procuré par l'enveloppe (code IP) .....	126
7.4.2	Résistance à la chaleur .....	126
7.4.3	Résistance au feu.....	126
7.4.4	Résistance au cheminement.....	126
7.4.5	Compatibilité électromagnétique.....	126
7.5	Exigences supplémentaires pour des conceptions de parafoudres spécifiques.....	127
7.5.1	Parafoudres à deux ports et parafoudres à un port avec bornes d'entrée/sortie séparées .....	127
7.5.2	Essais d'environnement des parafoudres installés à l'extérieur.....	127
7.5.3	Parafoudres à circuits isolés séparés .....	127
7.5.4	SPD de type à court-circuit.....	127
7.6	Exigences supplémentaires éventuellement déclarées par le constructeur .....	128
7.6.1	Parafoudres à un ou deux ports.....	128
7.6.2	Parafoudres à deux ports uniquement .....	128
8	Essais de type.....	128
8.1	Conditions générales des modes opératoires d'essai.....	129
8.1.1	Courant de choc de décharge utilisé pour l'essai de fonctionnement supplémentaire de classe I .....	135
8.1.2	Choc de courant utilisé pour les essais de fonctionnement et de tension résiduelle de classe I et de classe II.....	135
8.1.3	Tension de choc utilisée pour des essais d'amorçage de classe I et de classe II.....	136

8.1.4	Onde de choc combinée utilisée pour les essais de classe III .....	136
8.2	Indélébilité du marquage .....	139
8.3	Essais électriques .....	139
8.3.1	Protection contre les contacts directs .....	139
8.3.2	Courant résiduel $I_{PE}$ .....	139
8.3.3	Tension de limitation mesurée .....	140
8.3.4	Essai de fonctionnement .....	143
8.3.5	Déconnecteurs et performances de sécurité des parafoudres soumis à des contraintes de surcharge excessives .....	147
8.3.6	Résistance d'isolement .....	154
8.3.7	Rigidité diélectrique .....	156
8.3.8	Comportement vis à vis des surtensions temporaires (TOV) .....	156
8.4	Essais mécaniques .....	161
8.4.1	Fiabilité des vis, des parties conductrices et des connexions .....	161
8.4.2	Bornes pour conducteurs extérieurs .....	162
8.4.3	Vérification des distances dans l'air et des lignes de fuite .....	166
8.4.4	Résistance mécanique .....	169
8.5	Essais d'environnement et essais des matériaux .....	173
8.5.1	Résistance à la pénétration d'objets solides et aux effets nuisibles de la pénétration de l'eau .....	173
8.5.2	Résistance à la chaleur .....	173
8.5.3	Essai à la bille .....	174
8.5.4	Résistance à une chaleur anormale et au feu .....	175
8.5.5	Résistance au cheminement .....	175
8.6	Essais supplémentaires pour des conceptions de parafoudres spécifiques .....	176
8.6.1	Essais des parafoudres à deux ports et un port avec bornes d'entrée/sortie séparées .....	176
8.6.2	Essais d'environnement des parafoudres installés à l'extérieur .....	179
8.6.3	Parafoudres à circuits isolés séparés .....	179
8.6.4	SPD de type à court-circuit .....	179
8.7	Essais supplémentaires de performances spécifiques éventuellement déclarées par le constructeur .....	179
8.7.1	Essai de courant total de décharge pour des parafoudres multipôles .....	179
8.7.2	Essai de détermination de la chute de tension .....	180
8.7.3	Capacité de tenue aux chocs aval .....	180
8.7.4	Mesure du taux de croissance de la tension $du/dt$ .....	181
9	Essais de série et de réception .....	181
9.1	Essais individuels .....	181
9.2	Essais de réception .....	181
Annexe A (normative)	Tensions d'essai de référence des parafoudres $U_{REF}$ .....	183
Annexe B (normative)	Valeurs assignées de TOV .....	188
Annexe C (normative)	Essais de détermination de la présence d'un composant de coupure et de l'amplitude du courant de suite .....	191
Annexe D (normative)	Programme d'essais réduits .....	193
Annexe E (informative)	Autres circuits d'essai des surtensions temporaires (TOV) résultant de défauts du réseau haute (moyenne) tension .....	195
Annexe F (informative)	Essais d'environnement de parafoudres installés à l'extérieur .....	196
Annexe G (normative)	Limites d'échauffement .....	199
Bibliographie	.....	200



Figure 1 – Montage d'essai de l'écran métallique .....	130
Figure 2 – Exemple de réseau de découplage pour une alimentation monophasée .....	138
Figure 3 – Exemple de réseau de découplage pour une alimentation triphasée .....	138
Figure 4 – Essai alternatif de la tension de limitation mesurée .....	138
Figure 5 – Diagramme d'essai pour la vérification du niveau de protection en tension $U_p$ .....	141
Figure 6 – Diagramme d'essai de fonctionnement .....	144
Figure 7 – Schéma du circuit d'essai de fonctionnement .....	145
Figure 8 – Chronogramme d'essai de fonctionnement pour les classes I et II .....	146
Figure 9 – Chronogramme d'essai de fonctionnement supplémentaire pour la classe I.....	147
Figure 10 – Chronogramme d'essai de fonctionnement pour la classe III .....	147
Figure 11 – Circuit d'essai pour des parafoudres ayant une valeur $I_{fi}$ inférieure à la valeur déclarée de courant de court-circuit assigné .....	152
Figure 12 – Circuit d'essai pour simulation des modes de défaillance du parafoudre .....	153
Figure 13 – Chronogramme pour simulation des modes de défaillance du parafoudre.....	154
Figure 14 – Exemple de circuit d'essai à des TOV résultant de défauts du réseau basse tension .....	157
Figure 15 – Chronogramme d'essai à des TOV résultant de défauts du réseau basse tension.....	158
Figure 16 – Exemple de circuit pour d'essai des parafoudres pour utilisation en schémas TT à des TOV résultant de défauts du réseau haute (moyenne) tension.....	160
Figure 17 – Chronogramme d'essai à des TOV résultant de défauts du réseau haute (moyenne) tension lorsque le circuit de la Figure 16 est utilisé .....	161
Figure 18 – Appareil d'essai de choc.....	170
Figure 19 – Pièce de frappe du marteau pendulaire .....	171
Figure 20 – Appareil d'essai à la bille.....	174
Figure 21 – Tige d'appui pour l'appareil d'essai à la bille .....	174
Figure 22 – Exemples appropriés de circuits d'essai de court-circuit du côté charge.....	178
Figure E.1 – Exemples d'un circuit triphasé et monophasé d'essai de parafoudres à des TOV résultant de défauts du réseau haute (moyenne) tension.....	195
Tableau 1 – Liste des abréviations.....	115
Tableau 2 – Essais de classe I, II et III .....	117
Tableau 3 – Exigences d'essais de type des parafoudres .....	131
Tableau 4 – Critères d'acceptation communs pour les essais de type .....	133
Tableau 5 – Tableau croisé des critères d'acceptation avec les essais de type.....	134
Tableau 6 – Paramètres préférentiels d'essai de classe I.....	135
Tableau 7 – Essais pour la détermination de la tension de limitation mesurée .....	142
Tableau 8 – Courant de court-circuit présumé et facteur de puissance.....	149
Tableau 9 – Rigidité diélectrique.....	156
Tableau 10 – Diamètres de filetages et couples appliqués .....	162
Tableau 11 – Sections des conducteurs en cuivre pour des bornes à vis ou sans vis.....	163
Tableau 12 – Efforts de traction (bornes à vis).....	164
Tableau 13 – Dimensions des conducteurs .....	164
Tableau 14 – Efforts de traction (bornes sans vis) .....	165
Tableau 15 – Distances dans l'air pour les parafoudres .....	167
Tableau 16 – Lignes de fuite pour les parafoudres.....	168

Tableau 17 – Rapport entre groupes de matériaux et classifications .....	169
Tableau 18 – Distances de chute exigées pour les essais de choc.....	172
Tableau 19 – Conducteurs pour l'essai de courant de charge assigné .....	176
Tableau 20 – Facteur de courant $k$ pour l'essai de comportement en surcharge .....	177
Tableau 21 – Tolérances de chocs de courant proportionnels .....	180
Tableau A.1 – Valeurs de la tension d'essai de référence .....	184
Tableau B.1 – Valeur d'essai de TOV pour des réseaux conformes à la série CEI 60364 .....	188
Tableau B.2 – Paramètres d'essai TOV pour les réseaux nord-américains .....	189
Tableau B.3 – Paramètres d'essai TOV pour les réseaux japonais .....	190
Tableau D.1 – Mode opératoire d'essais réduits pour des parafoudres conformes à la CEI 61643-1:2005.....	194
Tableau G.1 – Limites d'échauffement .....	199

# COMMISSION ÉLECTROTECHNIQUE INTERNATIONALE

---

## PARAFONDRES BASSE TENSION –

### **Partie 11: Parafoudres connectés aux systèmes basse tension – Exigences et méthodes d'essai**

#### AVANT-PROPOS

- 1) La Commission Electrotechnique Internationale (CEI) est une organisation mondiale de normalisation composée de l'ensemble des comités électrotechniques nationaux (Comités nationaux de la CEI). La CEI a pour objet de favoriser la coopération internationale pour toutes les questions de normalisation dans les domaines de l'électricité et de l'électronique. A cet effet, la CEI – entre autres activités – publie des Normes internationales, des Spécifications techniques, des Rapports techniques, des Spécifications accessibles au public (PAS) et des Guides (ci-après dénommés "Publication(s) de la CEI"). Leur élaboration est confiée à des comités d'études, aux travaux desquels tout Comité national intéressé par le sujet traité peut participer. Les organisations internationales, gouvernementales et non gouvernementales, en liaison avec la CEI, participent également aux travaux. La CEI collabore étroitement avec l'Organisation Internationale de Normalisation (ISO), selon des conditions fixées par accord entre les deux organisations.
- 2) Les décisions ou accords officiels de la CEI concernant les questions techniques représentent, dans la mesure du possible, un accord international sur les sujets étudiés, étant donné que les Comités nationaux de la CEI intéressés sont représentés dans chaque comité d'études.
- 3) Les Publications de la CEI se présentent sous la forme de recommandations internationales et sont agréées comme telles par les Comités nationaux de la CEI. Tous les efforts raisonnables sont entrepris afin que la CEI s'assure de l'exactitude du contenu technique de ses publications; la CEI ne peut pas être tenue responsable de l'éventuelle mauvaise utilisation ou interprétation qui en est faite par un quelconque utilisateur final.
- 4) Dans le but d'encourager l'uniformité internationale, les Comités nationaux de la CEI s'engagent, dans toute la mesure possible, à appliquer de façon transparente les Publications de la CEI dans leurs publications nationales et régionales. Toutes divergences entre toutes Publications de la CEI et toutes publications nationales ou régionales correspondantes doivent être indiquées en termes clairs dans ces dernières.
- 5) La CEI elle-même ne fournit aucune attestation de conformité. Des organismes de certification indépendants fournissent des services d'évaluation de conformité et, dans certains secteurs, accèdent aux marques de conformité de la CEI. La CEI n'est responsable d'aucun des services effectués par les organismes de certification indépendants.
- 6) Tous les utilisateurs doivent s'assurer qu'ils sont en possession de la dernière édition de cette publication.
- 7) Aucune responsabilité ne doit être imputée à la CEI, à ses administrateurs, employés, auxiliaires ou mandataires, y compris ses experts particuliers et les membres de ses comités d'études et des Comités nationaux de la CEI, pour tout préjudice causé en cas de dommages corporels et matériels, ou de tout autre dommage de quelque nature que ce soit, directe ou indirecte, ou pour supporter les coûts (y compris les frais de justice) et les dépenses découlant de la publication ou de l'utilisation de cette Publication de la CEI ou de toute autre Publication de la CEI, ou au crédit qui lui est accordé.
- 8) L'attention est attirée sur les références normatives citées dans cette publication. L'utilisation de publications référencées est obligatoire pour une application correcte de la présente publication.
- 9) L'attention est attirée sur le fait que certains des éléments de la présente Publication de la CEI peuvent faire l'objet de droits de brevet. La CEI ne saurait être tenue pour responsable de ne pas avoir identifié de tels droits de brevets et de ne pas avoir signalé leur existence.

La Norme internationale CEI 61643-11 a été établie par le sous-comité 37A: Dispositifs de protection basse tension contre les surtensions, du comité d'études 37 de la CEI: Parafoudres.

Cette première édition de la CEI 61643-11 annule et remplace la deuxième édition de la CEI 61643-1 parue en 2005. Cette édition constitue une révision technique.

Les modifications principales par rapport à la deuxième édition de la CEI 61643-1 sont une restructuration complète et l'adaptation des procédures et séquences d'essai.

Le texte de la présente norme est issu des documents suivants:

FDIS	Rapport de vote
37A/229/FDIS	37A/232/RVD

Le rapport de vote indiqué dans le tableau ci-dessus donne toute information sur le vote ayant abouti à l'approbation de cette norme.

Cette publication a été rédigée selon les Directives ISO/CEI, Partie 2.

Une liste de toutes les parties de la série CEI 61643, présentées sous le titre général *Parafoudres basse tension*, peut être consultée sur le site web de la CEI.

Le comité a décidé que le contenu de cette publication ne sera pas modifié avant la date de stabilité indiquée sur le site web de la CEI sous "<http://webstore.iec.ch>" dans les données relatives à la publication recherchée. A cette date, la publication sera

- reconduite,
- supprimée,
- remplacée par une édition révisée, ou
- amendée.

NOTE L'attention des Comités Nationaux est attirée sur le fait que les fabricants d'appareils et les organismes d'essai peuvent avoir besoin d'une période transitoire après la publication d'une nouvelle publication CEI, ou d'une publication amendée ou révisée, pour fabriquer des produits conformes aux nouvelles exigences et pour adapter leurs équipements aux nouveaux essais ou aux essais révisés.

Le comité recommande que le contenu de cette publication soit entériné au niveau national au plus tôt 12 mois après la date de publication.

**IMPORTANT – Le logo "*colour inside*" qui se trouve sur la page de couverture de cette publication indique qu'elle contient des couleurs qui sont considérées comme utiles à une bonne compréhension de son contenu. Les utilisateurs devraient, par conséquent, imprimer cette publication en utilisant une imprimante couleur.**

## INTRODUCTION

Cette partie de la CEI 61643 décrit les essais de sécurité et de fonctionnement des parafoudres.

Il existe trois classes d'essais:

Les essais de classe I destinés à simuler des courants de foudre partiels conduits. Les parafoudres soumis aux essais de classe I sont généralement recommandés aux emplacements très exposés, par exemple aux pénétrations de lignes dans des bâtiments protégés par un paratonnerre.

Les essais de classe II ou III correspondent à des durées de choc plus courtes.

Les parafoudres sont, dans toute la mesure du possible, soumis aux essais selon le principe de la « boîte noire ».

La CEI 61643-12 traite du choix et des principes d'application des parafoudres dans des situations pratiques.

www.TeraStandard.com

## PARAFODRES BASSE TENSION –

### Partie 11: Parafoudres connectés aux systèmes basse tension – Exigences et méthodes d'essai

#### 1 Domaine d'application

La présente partie de la CEI 61643 est applicable aux dispositifs de protection contre les effets indirects et directs de la foudre ou contre les surtensions transitoires. Ces dispositifs sont conçus pour être connectés à des circuits sous tension alternative 50/60 Hz et à des équipements de tension assignée efficace allant jusqu'à 1 000 V efficace. Sont définies les caractéristiques de fonctionnement, les méthodes normalisées d'essai ainsi que les valeurs assignées applicables. Ces dispositifs comportent au moins un composant non linéaire et sont utilisés pour limiter les surtensions et écouler les courants de foudre.

#### 2 Références normatives

Les documents de référence suivants sont indispensables pour l'application du présent document. Pour les références datées, seule l'édition citée s'applique. Pour les références non datées, la dernière édition du document de référence s'applique (y compris les éventuels amendements).

CEI 60060-1:1989, *Techniques des essais à haute tension – Partie 1: Définitions et prescriptions générales relatives aux essais*

CEI 60112, *Méthode de détermination des indices de résistance et de tenue au cheminement des matériaux isolants solides*

CEI 60529, *Degrés de protection procurés par les enveloppes (Code IP)*

CEI 60664-1:2007, *Coordination de l'isolement des matériels dans les systèmes (réseaux) à basse tension – Partie 1: Principes, exigences et essais*

CEI 60695-2-11:2000, *Essais relatifs aux risques du feu – Partie 2-11: Essais au fil incandescent/chauffant – Méthode d'essai d'inflammabilité pour produits finis*

CEI 61000 (toutes les parties), *Compatibilité électromagnétique (CEM)*

CEI 61180-1, *Techniques des essais à haute tension pour matériels à basse tension – Partie 1: Définitions, prescriptions et modalités relatives aux essais*

#### 3 Termes, définitions et abréviations

Pour les besoins du présent document, les termes, définitions et abréviations suivants s'appliquent.

### 3.1 Termes et définitions

#### 3.1.1

##### **dispositif de protection contre les surtensions**

##### **parafoudre**

##### **SPD**

dispositif incluant au moins un composant non linéaire destiné à limiter les surtensions et à évacuer les courants de foudre

NOTE Un parafoudre (SPD) est un ensemble complet disposant de moyens de connexion appropriés.

#### 3.1.2

##### **parafoudre à un port**

parafoudre sans impédance série spécifique

NOTE Un parafoudre à un port peut avoir des connexions d'entrée/sortie séparées.

#### 3.1.3

##### **parafoudre à deux ports**

parafoudre ayant une impédance série spécifique connectée entre des bornes d'entrée et de sortie séparées

#### 3.1.4

##### **parafoudre de type à coupure de tension**

parafoudre présentant une impédance élevée en l'absence de choc, qui peut chuter rapidement en réponse à un choc

NOTE Les composants habituellement utilisés dans les SPD de type à coupure de tension sont les éclateurs, les tubes à gaz et les thyristors. Ces composants sont parfois dits « de type crowbar ».

#### 3.1.5

##### **SPD de type à limitation de tension**

parafoudre présentant une impédance élevée en l'absence de choc, mais qui diminue de manière continue au fur et à mesure que le courant de foudre et la tension de choc augmentent

NOTE Les composants habituellement utilisés dans les SPD de type à limitation de tension sont les varistances et les diodes à avalanche. Ces composants sont parfois dits « de type clamping ».

#### 3.1.6

##### **SPD de type combiné**

parafoudres comportant à la fois des composants à coupure de tension et des composants à limitation de tension. Le parafoudre peut avoir une fonction de coupure de tension, de limitation de tension ou les deux à la fois

#### 3.1.7

##### **SPD de type à court-circuit**

parafoudre soumis à des essais de classe II dont les caractéristiques sont volontairement modifiées, pour générer un court-circuit interne, suite à un courant de choc de valeur supérieure à son courant nominal de décharge  $I_n$

#### 3.1.8

##### **mode de protection d'un SPD**

chemin de courant entre des bornes comportant des composants de protection, par exemple entre phases, entre phase et terre, entre phase et neutre et entre neutre et terre

#### 3.1.9

##### **courant nominal de décharge pour les essais de classe II**

##### **$I_n$**

valeur de crête d'un courant de forme d'onde 8/20 s'écoulant dans le parafoudre

**3.1.10****courant de choc de décharge pour les essais de classe I** $I_{imp}$ 

valeur de crête d'un courant de décharge traversant le parafoudre ayant un transfert de charge spécifié  $Q$  et une énergie spécifiée  $W/R$  pendant une durée spécifiée

**3.1.11****tension maximale de régime permanent** $U_C$ 

tension efficace maximale, qui peut être appliquée en régime permanent au mode de protection du parafoudre

NOTE La valeur de  $U_C$  faisant l'objet de la présente norme peut dépasser 1 000 V.

**3.1.12****courant de suite** $I_f$ 

courant de crête fourni par le réseau d'alimentation électrique et s'écoulant à travers le parafoudre après un choc de courant de décharge

**3.1.13****courant de charge assigné** $I_L$ 

valeur maximale efficace du courant permanent pouvant alimenter une charge résistive connectée à la sortie protégée d'un parafoudre

**3.1.14****niveau de protection en tension** $U_p$ 

tension maximale aux bornes du parafoudre, due à une contrainte de choc à gradient de tension défini et une contrainte de choc à courant de décharge, d'amplitude et de forme d'onde données

NOTE Le niveau de protection en tension est indiqué par le constructeur; il n'est pas admis qu'il soit inférieur à:

- la tension de limitation mesurée, déterminée pour la valeur de la tension d'amorçage sur le front d'onde (le cas échéant) et la tension de limitation mesurée, déterminée à partir des mesures de tension résiduelle à des amplitudes correspondant à  $I_n$  et/ou  $I_{imp}$  respectivement pour des essais de classe II et/ou de classe I;
- la tension de limitation mesurée à  $U_{OC}$ , déterminée pour l'onde de choc combinée pour la classe d'essai III.

**3.1.15****tension de limitation mesurée**

valeur la plus élevée de la tension mesurée aux bornes du parafoudre, pendant l'application de chocs de forme d'onde et d'amplitude spécifiées

**3.1.16****tension résiduelle** $U_{res}$ 

valeur de crête de la tension qui apparaît entre les bornes d'un parafoudre pendant le passage du courant de décharge

**3.1.17****valeur d'essai de surtension temporaire** $U_T$ 

tension d'essai appliquée au parafoudre, pendant une durée spécifique  $t_T$ , afin de simuler la contrainte dans des conditions de surtension temporaire (TOV)

**3.1.18****capacité de tenue aux chocs aval pour parafoudre à deux ports**

aptitude d'un parafoudre à deux ports à résister aux chocs aux bornes de sortie issus des circuits en aval du parafoudre



**3.1.19****vitesse de croissance de la tension d'un parafoudre à deux ports**

taux de variation de la tension en fonction du temps mesuré aux bornes de sortie d'un parafoudre à deux ports dans des conditions d'essai spécifiées

**3.1.20****tension de choc 1,2/50**

tension de choc dont la durée nominale du front virtuel est de 1,2  $\mu\text{s}$  et dont la durée nominale jusqu'à mi-valeur est de 50  $\mu\text{s}$

NOTE L'Article 6 de la CEI 60060-1 (1989) fournit, pour les tensions de choc, les définitions de la durée du front, de la durée jusqu'à mi-valeur et de la tolérance de forme d'onde.

**3.1.21****courant de choc 8/20**

courant de choc dont la durée nominale du front virtuel est de 8  $\mu\text{s}$  et dont la durée nominale jusqu'à mi-valeur est de 20  $\mu\text{s}$

NOTE L'Article 8 de la CEI 60060-1 (1989) fournit, pour le courant de choc, les définitions de la durée du front, de la durée jusqu'à mi-valeur et de la tolérance de forme d'onde.

**3.1.22****forme d'onde combinée**

onde caractérisée par une amplitude définie ( $U_{OC}$ ) et une forme d'onde en circuit ouvert ainsi que par une amplitude définie ( $I_{CW}$ ) et une forme d'onde en court-circuit

NOTE L'amplitude de la tension, l'amplitude du courant et la forme d'onde délivrées au parafoudre sont déterminées par l'impédance du générateur d'ondes combinées (CWG) et par celle du dispositif en essai (DUT).

**3.1.23****tension de circuit ouvert**

$U_{OC}$

tension en circuit ouvert du générateur d'ondes combinées au point de connexion du dispositif en essai

**3.1.24****courant de court-circuit du générateur d'ondes combinées**

$I_{CW}$

valeur présumée du courant de court-circuit du générateur d'ondes combinées, au point de connexion du dispositif en essai

NOTE Lorsque le parafoudre est connecté au générateur d'ondes combinées, le courant qui passe à travers le dispositif est en général inférieur à  $I_{CW}$ .

**3.1.25****stabilité thermique**

un parafoudre est thermiquement stable si, après échauffement au cours de l'essai de fonctionnement, sa température diminue au cours du temps, alors qu'il est alimenté à la valeur maximale spécifiée de tension en régime permanent et dans les conditions de température ambiante spécifiées

**3.1.26****dégradation (des performances)**

écart permanent indésirable des performances opérationnelles d'un équipement ou d'un système par rapport à ses performances prévues

**3.1.27****courant de court-circuit assigné**

$I_{SCCR}$

valeur maximale présumée d'un courant de court-circuit du réseau d'alimentation pour lequel les caractéristiques assignées du parafoudre, associé à ses déconnecteur spécifiés, sont prévues

### 3.1.28

#### **déconnecteur de parafoudre**

dispositif assurant la déconnexion d'un parafoudre ou d'une partie de parafoudre du réseau d'alimentation

NOTE Il n'est pas exigé que ce dispositif de déconnexion dispose d'une capacité de sectionnement à des fins de sécurité. Il a pour but de prévenir un défaut permanent sur le réseau et il est utilisé pour indiquer une éventuelle défaillance du parafoudre. Les déconnecteurs peuvent être internes (intégrés) ou externes (exigés par le constructeur). Le déconnecteur peut avoir plusieurs fonctions, par exemple une fonction de protection contre les surintensités et une fonction de protection thermique. Ces fonctions peuvent être assurées par des éléments séparés.

### 3.1.29

#### **degré de protection d'une enveloppe**

##### **IP**

classification, précédée du symbole IP, indiquant le degré de protection assurée par une enveloppe contre l'accès aux parties dangereuses, contre la pénétration d'objets solides et éventuellement contre les effets nuisibles de la pénétration d'eau

### 3.1.30

#### **essai de type**

essai de conformité effectué sur une ou plusieurs entités représentatives de la production

[CEI 60050-151:2001, 151-16-16]

### 3.1.31

#### **essai individuel**

essai effectué sur chaque parafoudre ou sur des parties et des matières tel qu'il est exigé afin de s'assurer que le produit satisfait aux spécifications prévues

[CEI 60050-151:2001, 151-16-17, modifiée]

### 3.1.32

#### **essais de réception**

essai contractuel ayant pour objet de prouver au client que l'entité répond à certaines conditions de sa spécification

[CEI 60050-151:2001, 151-16-23]

### 3.1.33

#### **réseau de découplage**

circuit électrique utilisé pour empêcher la propagation de l'énergie de choc vers le réseau d'alimentation lors des essais sous tension du parafoudre

NOTE Ce circuit électrique est parfois désigné par l'expression « filtre anti-retour ».

### 3.1.34

#### **classification des essais de choc**

##### **3.1.34.1**

##### **essais de classe I**

essais effectués au courant de choc de décharge  $I_{imp}$ , avec une forme d'onde de courant de choc 8/20 d'une valeur égale à la valeur de crête de  $I_{imp}$ , et d'une forme d'onde de tension de choc de 1,2/50

##### **3.1.34.2**

##### **essais de classe II**

essais effectués au courant nominal de décharge  $I_n$ , et à une forme d'onde de tension de choc de 1,2/50

**3.1.34.3****essais de classe III**

essais effectués avec le générateur d'ondes combinées de forme d'onde de tension de choc de 1,2/50 et de forme d'onde de courant de choc 8/20

**3.1.35****dispositif de protection contre les courants résiduels****DDR**

dispositif de coupure ou association de dispositifs conçu(s) pour entraîner l'ouverture du circuit d'alimentation lorsque le courant résiduel ou le courant de déséquilibre atteint une valeur donnée dans des conditions spécifiées

**3.1.36****tension d'amorçage d'un parafoudre à coupure de tension****tension de déclenchement d'un parafoudre à coupure de tension**

valeur maximale de tension à laquelle le passage soudain d'une haute impédance à une basse impédance débute dans le cas d'un parafoudre à coupure de tension

**3.1.37****énergie spécifique pour un essai de classe I****W/R**

énergie dissipée par une résistance unitaire de 1  $\Omega$  pour un courant de choc de décharge  $I_{imp}$

NOTE Elle est égale à l'intégrale temporelle du carré du courant ( $W/R = \int i^2 dt$ ).

**3.1.38****courant de court-circuit présumé d'un circuit d'alimentation** **$I_p$** 

courant qui s'écoulerait en un point donné d'un circuit s'il était court-circuité en ce point par un conducteur d'impédance négligeable

NOTE Ce courant symétrique présumé est exprimé par sa valeur efficace.

**3.1.39****valeur assignée d'interruption d'un courant de suite** **$I_{fi}$** 

courant de court-circuit présumé qu'un parafoudre est susceptible d'interrompre sans actionnement d'un déconnecteur

**3.1.40****courant résiduel** **$I_{PE}$** 

courant s'écoulant à travers la borne du conducteur de protection du parafoudre, ce dernier étant alimenté à la tension d'essai de référence ( $U_{REF}$ ) et connecté conformément aux instructions du constructeur

**3.1.41****indicateur d'état**

dispositif indiquant l'état opérationnel d'un parafoudre ou d'une partie de parafoudre

NOTE Ces indicateurs peuvent être locaux avec des alarmes visuelles et/ou sonores et/ou peuvent avoir une signalisation à distance et/ou un contact de sortie.

**3.1.42****contact de sortie**

contact incorporé dans un circuit séparé du circuit principal d'un parafoudre et relié à un déconnecteur ou à un indicateur d'état

**3.1.43****parafoudre multipôle**

type de parafoudre comportant plusieurs modes de protection ou combinaison de parafoudres électriquement reliés entre eux et proposés comme un ensemble unitaire

**3.1.44****courant total de décharge** $I_{\text{Total}}$ 

courant qui circule à travers le conducteur PE ou PEN d'un parafoudre multipôle pendant l'essai du courant total de décharge

NOTE 1 Cet essai est utilisé pour vérifier les effets cumulés de modes de protection multiples d'un parafoudre multipôle simultanément appliqués.

NOTE 2  $I_{\text{Total}}$  est notamment pertinent pour des parafoudres soumis à des essais de classe I et utilisés pour assurer une liaison équipotentielle de protection contre la foudre conformément à la série CEI 62305.

**3.1.45****tension d'essai de référence** $U_{\text{REF}}$ 

valeur efficace de la tension utilisée pour les essais; elle dépend du mode de protection du parafoudre, de la tension nominale du réseau, de la configuration du système et de la régulation de tension au sein du système

NOTE La tension d'essai de référence est choisie à partir de l'Annexe A sur la base des informations fournies par le constructeur conformément à 7.1.1 b8).

**3.1.46****valeur assignée d'un courant de choc de transition pour un parafoudre de type à court-circuit** $I_{\text{trans}}$ 

valeur d'un courant de choc de forme d'onde 8/20, supérieure au courant nominal de décharge  $I_n$ , qui entraînera la mise en court-circuit d'un parafoudre de type à court-circuit

**3.1.47****tension pour la détermination des distances dans l'air** $U_{\text{max}}$ 

valeur la plus élevée de la tension mesurée lors des essais de choc selon 8.3.3 et utilisée pour la détermination des distances dans l'air

**3.1.48****courant maximal de décharge** $I_{\text{max}}$ 

valeur de crête d'un courant de forme d'onde 8/20 s'écoulant dans le parafoudre et d'une amplitude conforme à la spécification du constructeur.  $I_{\text{max}}$  est supérieur ou égal à  $I_n$

**3.2 Abréviations**

Le Tableau 1 ci-dessous donne la liste des abréviations utilisées dans la présente norme.

Tableau 1 – Liste des abréviations

Abréviation	Description	Définition/article
<b>Abréviations générales</b>		
ABD	diode à avalanche	7.2.5.2
CWG	générateur d'ondes combinées	3.1.22
DDR	dispositif de protection contre les courants résiduels	3.1.35
DUT	dispositif en essai	Généralités
IP	degré de protection d'une enveloppe	3.1.29
TOV	surtension temporaire	Généralités
SPD	parafoudre	3.1.1
$k$	facteur de courant de déclenchement pour l'essai de comportement en surcharge	Tableau 20
$Z_f$	impédance fictive (d'un générateur d'ondes combinées)	8.1.4 c)
$W/R$	énergie spécifique pour un essai de classe I	3.1.37
$T1$ , $T2$ , et/ou $T3$	marquage du produit pour des classes d'essai I, II et/ou III	7.1.1
$t_T$	durée d'application d'une TOV aux fins d'essai	3.1.17
<b>Abréviations relatives à la tension</b>		
$U_c$	tension maximale de régime permanent	3.1.11
$U_{REF}$	tension d'essai de référence	3.1.45
$U_{OC}$	tension de circuit ouvert du générateur d'ondes combinées	3.1.22, 3.1.23
$U_p$	niveau de protection en tension	3.1.14
$U_{res}$	tension résiduelle	3.1.16
$U_{max}$	tension mesurée la plus élevée lors d'applications de courant de foudre, conformément à 8.3.3 à des fins de détermination de la distance d'isolement	3.1.47
$U_T$	valeur d'essai de surtension temporaire	3.1.17
<b>Abréviations relatives au courant</b>		
$I_{imp}$	courant de choc de décharge pour des essais de classe I	3.1.10
$I_{max}$	courant maximal de décharge	3.1.48
$I_n$	courant nominal de décharge pour des essais de classe II	3.1.9
$I_f$	courant de suite	3.1.12
$I_{fi}$	valeur assignée d'interruption d'un courant de suite	3.1.39
$I_L$	courant de charge assigné	3.1.13
$I_{CW}$	courant de court-circuit du générateur d'ondes combinées	3.1.24
$I_{SCCR}$	courant de court-circuit assigné	3.1.27
$I_P$	courant de court-circuit présumé du circuit d'alimentation	3.1.38
$I_{PE}$	courant résiduel à $U_{REF}$	3.1.40
$I_{Total}$	courant total de décharge pour un parafoudre multipôle	3.1.44
$I_{trans}$	valeur assignée du courant de foudre de transition pour un parafoudre de type à court-circuit	3.1.46

## 4 Conditions de service

### 4.1 Fréquence

Le domaine de fréquences est de 47 Hz à 63 Hz en c.a.

### 4.2 Tension

La tension appliquée de manière continue entre les bornes du parafoudre (SPD) ne doit pas dépasser sa tension maximale de régime permanent  $U_C$ .

### 4.3 Pression atmosphérique et altitude

La pression atmosphérique est de 80 kPa à 106 kPa. Ces valeurs représentent une altitude de +2 000 m à -500 m respectivement.

### 4.4 Températures

- domaine normal: – 5 °C à +40 °C

NOTE Cette plage correspond à des parafoudres utilisés sous abri, dans des lieux protégés contre les intempéries sans contrôle de la température et de l'humidité; il s'agit des caractéristiques d'influence externe de code AB4 décrites dans la CEI 60364-5-51.

- domaine étendu: – 40 °C à +70 °C

NOTE Cette plage de températures concerne des parafoudres utilisés en extérieur en des lieux non protégés contre les intempéries.

### 4.5 Humidité

- domaine normal: 5 % à 95 %

NOTE Cette plage correspond à des parafoudres utilisés sous abri, dans des lieux protégés contre les intempéries sans contrôle de la température et de l'humidité; il s'agit des caractéristiques d'influence externe de code AB4 décrites dans la CEI 60364-5-51.

- domaine étendu: 5 % à 100 %

NOTE Cette plage de températures concerne des parafoudres utilisés en extérieur en des lieux non protégés contre les intempéries.

## 5 Classification

Le constructeur doit classer les parafoudres selon les paramètres suivants:

### 5.1 Nombre de ports

#### 5.1.1 Un

#### 5.1.2 Deux

### 5.2 Conception du parafoudre

#### 5.2.1 A coupure de tension

#### 5.2.2 A limitation de tension

#### 5.2.3 A protection combinée

### 5.3 Essais de classe I, II et III

Les informations requises pour les essais de classe I, II et III sont données dans le Tableau 2.

**Tableau 2 – Essais de classe I, II et III**

<b>Essais</b>	<b>Informations prescrites</b>	<b>Modes opératoires d'essai (voir paragraphes)</b>
Classe I	$I_{imp}$	8.1.1; 8.1.2; 8.1.3
Classe II	$I_n$	8.1.2; 8.1.3
Classe III	$U_{OC}$	8.1.4; 8.1.4.1

## **5.4 Emplacement**

### **5.4.1 En intérieur**

Parafoudres destinés à être utilisés dans des enveloppes et/ou à l'intérieur des bâtiments ou sous abri.

Les parafoudres installés à l'extérieur dans des enveloppes ou sous abri sont considérés être des parafoudres pour usage intérieur.

### **5.4.2 En extérieur**

Parafoudres destinés à être utilisés sans enveloppe et à l'extérieur des bâtiments ou des abris (par exemple sur des lignes aériennes basse tension).

## **5.5 Accessibilité**

### **5.5.1 Accessible**

Un parafoudre qui peut être totalement ou partiellement touché par une personne non qualifiée, sans utilisation d'un outil pour ouvrir d'éventuels couvercles ou enveloppes après installation.

### **5.5.2 Inaccessible**

Un parafoudre qui ne peut être touché par une personne non qualifiée, soit du fait qu'il est monté hors d'atteinte (par exemple monté sur des lignes aériennes) soit du fait qu'il se trouve dans des enveloppes qui, après installation, ne peuvent être ouvertes qu'au moyen d'outils.

## 5.6 Méthode d'installation

### 5.6.1 Permanente

### 5.6.2 Mobile

## 5.7 Déconnecteurs (comportant une protection contre les surintensités)

### 5.7.1 Emplacement

#### 5.7.1.1 Interne

#### 5.7.1.2 Externe

#### 5.7.1.3 Combiné (internal and external)

### 5.7.2 Fonctions de protection

#### 5.7.2.1 Thermique

#### 5.7.2.2 Courant de fuite

#### 5.7.2.3 Surintensité

## 5.8 Degré de protection procuré par les enveloppes

Conformément au code IP de la CEI 60529.

## 5.9 Domaines de température et d'humidité

### 5.9.1 Normal

### 5.9.2 Etendu

## 5.10 Réseau d'alimentation électrique

### 5.10.1 Courant alternatif, de fréquence comprise entre 47 Hz et 63 Hz

### 5.10.2 Courant alternatif, de fréquence différente de la plage 47 Hz à 63 Hz

Cette classification peut nécessiter des essais additionnels et/ou modifiés.

## 5.11 Parafoudre multipôle

## 5.12 Comportement des parafoudres à leur mise en défaut

### 5.12.1 Circuit ouvert (parafoudre de type standard)

### 5.12.2 Court-circuit (parafoudre de type à court-circuit)

## 6 Valeurs préférentielles pour les parafoudres

NOTE L'expression « valeurs préférentielles » signifie des valeurs souvent utilisées en pratique. Il est admis que des valeurs inférieures et dans certains cas supérieures puissent être nécessaires en fonction des conditions réelles d'utilisation.

### 6.1 Valeurs préférentielles de courant de choc de décharge $I_{imp}$ pour des essais de classe I

$I_{imp}$	1;	2;	5;	10;	12,5;	20	et 25 kA
Q	0,5;	1;	2,5;	5;	6,25;	10	et 12,5 As
W/R	0,25;	1,0;	6,25;	25;	39;	100	et 156 kJ/Ω



## 6.2 Valeurs préférentielles de courant nominal de décharge $I_n$ pour des essais de classe II

0,05 ; 0,1; 0,25; 0,5; 1,0; 1,5; 2,0; 2,5; 3,0; 5,0; 10; 15 et 20 kA

## 6.3 Valeurs préférentielles de tension en circuit ouvert $U_{oc}$ pour des essais de classe III

0,1 ; 0,2; 0,5; 1; 2; 3; 4; 5; 6; 10 et 20 kV

## 6.4 Valeurs préférentielles de niveau de protection en tension $U_p$

0,08; 0,09; 0,10; 0,12; 0,15; 0,22; 0,33; 0,4; 0,5; 0,6; 0,7; 0,8; 0,9; 1,0; 1,2; 1,5; 1,8; 2,0; 2,5; 3,0; 4,0; 5,0; 6,0; 8,0 et 10 kV

## 6.5 Valeurs préférentielles de tension maximale efficace de régime permanent $U_c$

45; 52; 63; 75; 85; 95; 110; 130; 150; 175; 220; 230; 240; 255; 260; 275; 280; 320; 335; 350; 385; 400; 420; 440; 460; 510; 530; 600; 635; 660; 690; 800; 900; 1 000; 1 500; 1 800 et 2 000 V

# 7 Exigences

## 7.1 Exigences générales

### 7.1.1 Identification

Les indications suivantes doivent être fournies par le constructeur.

**Marquages devant obligatoirement figurer ou être apposés de manière permanente sur le corps du parafoudre:**

- a1) Le nom du constructeur ou la marque de fabrique et le numéro de série
- a2) La tension maximale de régime permanent  $U_c$  (une valeur pour chaque mode de protection)
- a3) Le type de courant: a.c. ou “~” et/ou la fréquence
- a4) La classification d'essai et les paramètres de décharge pour chaque mode de protection déclaré par le constructeur, doivent être imprimés côte à côte:

Pour la classe d'essai I:

soit « classe d'essai I » et «  $I_{imp}$  » ainsi que la valeur en kA, et/ou «  $\boxed{T1}$  » (T1 encadré) et «  $I_{imp}$  » ainsi que la valeur en kA

Pour la classe d'essai II:

soit « classe d'essai II » et «  $I_n$  » ainsi que la valeur en kA, et/ou «  $\boxed{T2}$  » (T2 encadré) et «  $I_n$  » ainsi que la valeur en kA

Pour la classe d'essai III:

soit « classe d'essai III » et «  $U_{oc}$  » ainsi que la valeur en kV, et/ou «  $\boxed{T3}$  » (T3 encadré) et «  $U_{oc}$  » ainsi que la valeur en kV.

- a5) Le niveau de protection  $U_p$  (une valeur pour chaque mode de protection)
- a6) Le degré de protection procuré par l'enveloppe (IP code) si > IP20
- a7) L'identification des bornes ou des conducteurs (si non déjà identifié sur le produit)
- a8) Le courant de charge assigné  $I_L$  pour les parafoudres à deux ports et pour les parafoudres à un port avec bornes d'entrée et de sortie séparées.

Lorsque l'espace disponible ne permet pas d'insérer les marquages ci-dessus, il est suffisant d'indiquer le nom du constructeur ou la marque de fabrique ainsi que le numéro du modèle; les autres marquages exigés doivent apparaître sur les instructions d'installation.

Un parafoudre peut être classifié selon plus d'une classe d'essai (par exemple classe d'essai I (T1) et classe d'essai II (T2)). Dans ce cas, les essais requis pour chaque classes d'essai doivent être réalisés. Si dans un tel cas le constructeur déclare seulement un niveau de protection, le niveau le plus élevé doit apparaître sur le marquage.

#### Informations devant être fournies avec les produits livrés:

- b1) L'emplacement (voir 5.4)
- b2) Le nombre de ports
- b3) La méthode d'installation
- b4) Le courant de court-circuit assigné  $I_{SCCR}$  (pour les exemptions voir 8.3.5.3)
- b5) Les valeurs assignées et les caractéristiques du ou des déconnecteurs externes, le cas échéant
- b6) L'indication de fonctionnement du déconnecteur (s'il existe)
- b7) L'orientation pour une installation normale, si elle est significative
- b8) Les instructions d'installation
  - type de réseaux BT (schéma TN, schéma TT, schéma IT)
  - raccordement prévu (phase-neutre, phase-terre, neutre-terre, entre phases)
  - tension nominale du réseau alternatif et tolérance maximale admissible de tension pour lesquelles le parafoudre est conçu, dimensions mécaniques, longueurs des conducteurs, etc.
- b9) Les domaines de température et d'humidité (voir 4.4 et 4.5)
- b10) La valeur assignée d'interruption du courant de suite  $I_{fi}$  (à l'exception des parafoudres à limitation de tension)
- b11) Le courant résiduel  $I_{PE}$
- b12) La valeur assignée du courant de foudre de transition  $I_{trans}$  pour un parafoudre de type à court-circuit
- b13) La distance minimale d'installation du parafoudre par rapport à toute surface conductrice mise à la terre
- b14)  $I_{MAX}$ , (optionnel)

#### Informations devant être fournies sur la fiche technique du produit:

- c1) La valeur assignée de surtension temporaire  $U_T$  et/ou le(s) type(s) de réseau(x) d'alimentation pour le(s)quel(s) le parafoudre est conçu, conformément à l'Annexe B, ainsi que les détails de connexion correspondants
- c2) Le courant total de décharge  $I_{Total}$  pour des parafoudres multipôles (si déclaré par le constructeur) et la classe d'essai correspondante
- c3) La chute de tension pour les parafoudres à deux ports
- c4) La capacité de tenue aux chocs en aval pour les parafoudres à deux ports (si déclarés par le constructeur)
- c5) Les informations relatives aux éléments remplaçables (indicateurs, fusibles, etc., le cas échéant)
- c6) La vitesse de croissance de la tension  $du/dt$  (si déclaré par le constructeur)
- c7) Le facteur de courant  $k$ , s'il est différent de celui indiqué dans le Tableau 20
- c8) Les modes de protection (pour les parafoudres avec plus d'un mode de protection)

#### Informations devant être fournies par le constructeur pour les essais de type:

- d1) La présence éventuelle d'un ou de plusieurs composants de coupure (voir Annexe C)

- d2) Le courant de suite à prévoir lors de l'essai de pré-conditionnement ( $\leq 500$  A ou  $> 500$  A - voir Annexe C)
- d3) Si le circuit d'indication d'état n'utilise pas des composants certifiés utilisés selon leurs caractéristiques assignées, le constructeur doit fournir les normes d'essai appropriées permettant de vérifier le composant spécifique concerné.
- d4) L'isolement et la rigidité diélectrique des circuits isolés séparés
- d5) Le courant présumé de court circuit pour l'essai de conditionnement selon 8.3.5.3.2

La conformité est vérifiée par examen visuel.

### 7.1.2 Marquage

Les marquages du dispositif doivent être indélébiles et lisibles; ils ne doivent pas être apposés sur les vis et autres pièces amovibles.

NOTE Un module de parafoudre enfichable n'est pas considéré être une pièce amovible.

La conformité est vérifiée en effectuant les essais décrits en 8.2.

## 7.2 Exigences électriques

### 7.2.1 Protection contre les contacts directs

Ces exigences sont applicables aux parafoudres accessibles dont la tension maximale de régime permanent  $U_c$  est supérieure à 50 V efficaces.

En ce qui concerne la protection contre les contacts directs (inaccessibilité des parties actives), les parafoudres doivent être conçus de manière à ce que les parties actives ne puissent être touchées, lorsqu'ils sont installés conformément à l'usage prévu.

Les parafoudres, à l'exception de ceux classés pour un montage hors d'atteinte uniquement, doivent être conçus de façon à ce que, lorsqu'ils sont câblés et montés en usage normal, les parties actives soient inaccessibles même après dépose des parties amovibles sans l'aide d'un outil.

La connexion entre les bornes de terre et toutes les parties conductrices accessibles qui lui sont reliées doit présenter une faible résistance.

La conformité est vérifiée en effectuant les essais décrits dans la CEI 60529 et en 8.3.1.

### 7.2.2 Courant résiduel $I_{PE}$

Pour tous les parafoudres disposant d'une borne de raccordement du conducteur de protection, le courant résiduel  $I_{PE}$  doit être mesuré en connectant toutes les bornes du parafoudre à une alimentation à la tension d'essai de référence ( $U_{REF}$ ) conformément aux instructions du constructeur.

La conformité est vérifiée en effectuant l'essai décrit en 8.3.2

### 7.2.3 Niveau de protection en tension $U_p$

La tension de limitation mesurée des parafoudres ne doit pas être supérieure au niveau de protection en tension spécifié par le constructeur.

La conformité est vérifiée en effectuant l'essai décrit en 8.3.3.

#### 7.2.4 Régime de fonctionnement

Le parafoudre doit supporter les courants de décharge spécifiés superposés à la tension maximale de régime permanent  $U_c$ , sans modification inacceptable de ses caractéristiques.

La conformité est vérifiée en effectuant l'essai décrit en 8.3.4.

#### 7.2.5 Déconnecteurs et indicateurs d'état

##### 7.2.5.1 Déconnecteurs

Le parafoudre doit disposer de déconnecteurs (qui peuvent être internes ou externes ou les deux à la fois), à l'exception des parafoudres pour connexion N-PE en schéma TN et/ou TT uniquement. Le fonctionnement des déconnecteurs doit être signalé par un indicateur d'état correspondant.

Le comportement exigé des déconnecteurs pendant et après divers essais de type est donné dans le Tableau 3.

Le Tableau 3 fournit des informations relatives à l'inclusion des déconnecteurs au cours des divers essais de type. Le comportement exigé des déconnecteurs pendant et après les divers essais de type est indiqué par les points **F**, **G**, **H** et **J** du Tableau 4; il est vérifié en effectuant les essais décrits en 8.3.5.

##### 7.2.5.2 Protection thermique

Les parafoudres doivent être protégés contre tout échauffement dû à une dégradation ou à une surcharge.

Cet essai n'est pas effectué sur des parafoudres comportant uniquement des composants à coupure de tension et/ou des dispositifs à diodes à avalanche (ABD).

La conformité est vérifiée en effectuant l'essai décrit en 8.3.5.2.

##### 7.2.5.3 Comportement vis-à-vis des courants de court-circuit

Un parafoudre doit se mettre en défaut sans entraîner de situation dangereuse ou doit supporter les courants de court-circuit présumés du réseau d'alimentation électrique qui peuvent apparaître lors d'une défaillance du parafoudre.

La conformité est vérifiée en effectuant les essais décrits en 8.3.5.3, 8.3.5.3.1 et 8.3.5.3.2.

L'essai décrit en 8.3.5.3.1 est uniquement effectué si la valeur assignée d'interruption du courant de suite déclarée  $I_{fi}$  est inférieure au courant d'essai.

Ces essais ne sont pas effectués pour des parafoudres classifiés pour utilisation extérieure et pour montage hors d'atteinte et pour les parafoudres destinés uniquement à une connexion N-PE en schéma TN et/ou TT.

##### 7.2.5.4 Indicateurs d'état

Le constructeur doit fournir des informations concernant la fonction de l'indicateur et les actions à entreprendre après chaque changement d'état.

Un indicateur d'état peut être constitué de deux parties (dont l'une n'est pas remplacée en cas de remplacement du parafoudre) reliées par un mécanisme de couplage pouvant être mécanique, optique, sonore, électromagnétique, etc. La partie de l'indicateur d'état qui n'est pas remplacée doit pouvoir fonctionner au moins 50 fois.

NOTE L'action du mécanisme de couplage agissant sur la partie non remplacée de l'indicateur d'état peut être simulée par des moyens autres que le fonctionnement de la partie remplacée du parafoudre, par exemple un ressort ou un électro-aimant séparé.

S'il existe une norme appropriée pour le type d'indication utilisé, elle doit satisfaire à la partie non remplacée de l'indicateur d'état, sauf que l'indicateur ne doit être vérifié que 50 fois.

### **7.2.6 Résistance d'isolement**

La résistance d'isolement du parafoudre doit être suffisante en termes de courants de fuite et de protection contre les contacts directs.

La conformité est vérifiée en effectuant l'essai décrit en 8.3.6.

### **7.2.7 Rigidité diélectrique**

La rigidité diélectrique du parafoudre doit être suffisante en termes de rupture de l'isolement et de protection contre les contacts directs.

La conformité est vérifiée en effectuant l'essai décrit en 8.3.7.

### **7.2.8 Comportement vis-à-vis des surtensions temporaires**

Un parafoudre doit passer avec succès les essais TOV réalisés conformément à 8.3.8.1 et à 8.3.8.2; il doit satisfaire aux critères définis dans les tableaux pertinents de l'Annexe B ainsi qu'en 8.3.8.1 et 8.3.8.2.

NOTE 1 Les essais décrits en 8.3.8.1 et 8.3.8.2 ne tiennent pas compte d'un éventuel choc se produisant simultanément à un événement de TOV.

Les parafoudres doivent tenir les surtensions dues aux défauts ou perturbations du système haute tension ou se mettre en défaut sans créer de danger.

Les parafoudres dont le constructeur déclare dans ses instructions d'installation qu'ils peuvent être montés dans des systèmes TT entre neutre et PE, en amont du DDR principal, doivent satisfaire aux critères du mode de tenue TOV donné en 8.3.8.2.

NOTE 2 Ceci couvre également l'application décrite en 534.2.3.3 de la CEI 60364-5-53.

#### **7.2.8.1 TOV résultant de défaillances ou de perturbations du réseau basse tension**

Il n'est pas nécessaire de procéder à cet essai pour des parafoudres ayant une valeur  $U_C$  supérieure ou égale à  $U_T$ .

Cet essai doit être effectué conformément au 8.3.8.1.

#### **7.2.8.2 TOV dues à des défauts du réseau haute (moyenne) tension**

Il n'est pas nécessaire de procéder à cet essai pour des parafoudres ayant une valeur  $U_C$  supérieure ou égale à  $U_T$ .

Le parafoudre doit supporter les surtensions dues à des défauts ou à des perturbations du réseau haute tension ou tomber en panne sans générer de situation dangereuse.

La conformité est vérifiée en effectuant l'essai décrit en 8.3.8.2.

## **7.3 Exigences mécaniques**

### **7.3.1 Montage**

Les parafoudres doivent être munis de moyens assurant leur stabilité mécanique après montage

Des dispositifs mécaniques de détrompage/enclenchement doivent être prévus afin de prévenir toute combinaison incorrecte de modules de parafoudres enfichables et des embases correspondantes.

La conformité est vérifiée par examen visuel.

### **7.3.2 Vis, parties conductrices et connexions**

La conformité est vérifiée selon 8.4.1 par examen et montage d'essai.

### **7.3.3 Connexions externes**

Il doit être possible de réaliser les connexions électriques au moyen:

- de bornes à vis et assemblages boulonnés;
- de bornes sans vis;
- de connexions à perçage d'isolant;
- de bornes plates à connexion rapide;
- de conducteurs volants;
- d'autres dispositifs d'efficacité équivalente;
- ou
- de fiches et/ou embases normalisées.

Les exigences suivantes ne s'appliquent pas aux fiches et/ou embases normalisées:

Les bornes doivent être conçues pour la connexion de câbles sections minimales et maximales conformes à 8.4.2.

Les bornes doivent être fixées sur le parafoudre de manière à ce qu'elles ne deviennent pas lâches en cas de serrage ou de desserrage des vis ou écrous de blocage. Un outil doit être requis pour le desserrage des vis ou écrous de blocage.

- a) Les bornes pour les conducteurs externes doivent être telles que les conducteurs puissent être connectés pour maintenir de manière permanente la pression de contact nécessaire. Les bornes doivent être aisément accessibles pour l'usage prévu.
- b) Les moyens de fixation des conducteurs dans les bornes ne doivent pas servir à la fixation d'autres éléments, même s'ils peuvent fixer les bornes en place ou les empêcher de tourner.
- c) Les bornes doivent avoir une résistance mécanique appropriée.
- d) Les bornes doivent être conçues de manière à serrer le conducteur sans l'endommager.
- e) Les bornes doivent être conçues de manière à serrer le conducteur de manière sûre entre des surfaces métalliques.
- f) Les bornes doivent être conçues et disposées de manière que ni un conducteur massif rigide, ni un brin de conducteur toronné ne puisse s'échapper des dispositifs de serrage par vis ou écrou lors du serrage.

#### **7.3.3.1 Bornes à vis**

- a) Les vis, écrous de serrage des conducteurs doivent présenter un filetage ISO ou un pas et une tenue mécanique comparables.

NOTE Les filetages SI, BA et UN peuvent être utilisés car ils présentent des caractéristiques mécaniques et des pas pratiquement équivalents aux filetages ISO.

- b) Les bornes doivent être fixées et disposées de telle sorte que, si les vis de serrage et écrous sont serrés ou desserrés, les bornes ne doivent pas se désolidariser de leurs fixations aux parafoudres.

Ces exigences n'impliquent pas que les bornes doivent être conçues de manière que leur rotation ou leur déplacement soit empêché, mais tout mouvement doit être suffisamment limité pour éviter une non-conformité aux exigences de la présente norme.

L'utilisation de produits d'étanchéité ou de résine est considérée comme suffisante pour éviter tout desserrage si:

- le produit d'étanchéité ou la résine ne sont pas soumis à des contraintes en usage normal, et
  - l'efficacité du produit d'étanchéité ou de la résine n'est pas affectée par les températures des bornes dans les conditions les plus défavorables spécifiées dans la présente norme.
- c) Les dispositifs de serrage par vis ou écrous destinés à la connexion des conducteurs de protection doivent être fixés de façon appropriée de manière à éviter tout desserrage accidentel.
- d) Les vis ne doivent pas être réalisées en métaux mous ou susceptibles au fluage, comme le zinc ou l'aluminium.

La conformité est vérifiée par examen et par des essais réalisés conformément à 8.4.2.1.

#### **7.3.3.2 Bornes sans vis**

Les bornes doivent être conçues et construites de sorte

- a) que chaque conducteur soit serré individuellement; les conducteurs peuvent être connectés ou déconnectés soit simultanément, soit séparément;
- b) qu'il soit possible de serrer de façon sûre plusieurs conducteurs jusqu'au nombre maximal prévu.

La conformité est vérifiée par examen et par des essais réalisés conformément à 8.4.2.2.

#### **7.3.3.3 Connexions à perçage d'isolant**

La conformité est vérifiée par examen et par des essais réalisés conformément à 8.4.2.3.

#### **7.3.3.4 Bornes plates à connexion rapide**

La conformité est vérifiée par examen et par des essais réalisés conformément à 8.4.2.4 (à l'étude).

#### **7.3.3.5 Connexions par queues de cochon (conducteurs volants)**

La conformité est vérifiée par examen et par des essais réalisés conformément à 8.4.2.5.

#### **7.3.3.6 Fiches et/ou embases normalisées**

Les fiches et prises de courant doivent être conformes aux exigences des normes internationales ou nationales pertinentes (par exemple la CEI 60884-1, la série CEI 60320).

#### **7.3.4 Distances dans l'air et lignes de fuite**

Le parafoudre doit présenter des distances dans l'air et des lignes de fuite appropriées.

La conformité est vérifiée en effectuant l'essai décrit en 8.4.3.

#### **7.3.5 Résistance mécanique**

Toutes les parties du parafoudre jouant un rôle dans la protection contre les contacts directs doivent présenter une tenue mécanique suffisante.

La conformité est vérifiée en effectuant l'essai décrit en 8.4.4.

## **7.4 Exigences relatives à l'environnement et aux matériaux**

Les parafoudres doivent fonctionner de manière satisfaisante dans des conditions de service spécifiées conformément à l'Article 4.

### **7.4.1 Degré de protection procuré par l'enveloppe (code IP)**

Les parafoudres doivent être munis d'une enveloppe destinée à les protéger contre la pénétration d'objets solides et d'eau, conformément au code IP déclaré par le constructeur.

La conformité est vérifiée par examen et par des essais réalisés conformément à 8.5.1.

### **7.4.2 Résistance à la chaleur**

Les parafoudres doivent avoir une résistance suffisante à la chaleur.

La conformité est vérifiée en effectuant les essais décrits en 8.3.5.1, 8.5.2 et 8.5.3.

### **7.4.3 Résistance au feu**

Les parties isolantes des boîtiers doivent être, soit non inflammables, soit auto-extinguibles.

La conformité est vérifiée en effectuant l'essai décrit en 8.5.4.

### **7.4.4 Résistance au cheminement**

L'indice de résistance au cheminement des matériaux isolants qui peuvent générer un chemin conducteur entre connexions électriques, est vérifié par les essais réalisés conformément à 8.5.5.

Ces essais ne sont pas nécessaires si les lignes de fuite sont supérieures ou égales au double des valeurs indiquées en 8.4.3 ou lorsque les matériaux isolants sont en céramique, en mica ou matières similaires.

### **7.4.5 Compatibilité électromagnétique**

#### **7.4.5.1 Immunité aux perturbations électromagnétiques**

Les parafoudres qui ne comportent pas de circuits électroniques ou qui comportent des circuits électroniques dont tous les composants sont passifs (par exemple des diodes, des résistances, des condensateurs, des inductances, des varistances et autres composants de protection contre les surtensions) ne sont pas sensibles aux perturbations électromagnétiques dans des conditions normales de service prévues et par conséquent aucun essai d'immunité n'est exigé. Pour les parafoudres qui comportent des circuits électroniques sensibles, se reporter à la série CEI 61000.

#### **7.4.5.2 Emissions électromagnétiques**

Pour les parafoudres qui ne comportent pas de circuits électroniques ou qui comportent des circuits électroniques qui ne génèrent pas de fréquences fondamentales supérieures à 9 kHz en fonctionnement normal, les perturbations électromagnétiques ne peuvent être générées que lors des opérations de protection. Les durées de ces perturbations sont de l'ordre des microsecondes ou des millisecondes.

La fréquence, le niveau et les conséquences de ces émissions sont pris en compte dans le cadre de l'environnement électromagnétique normal des installations basse tension. De ce fait, les exigences relatives aux émissions électromagnétiques sont considérées satisfaites et aucune vérification n'est nécessaire.



Pour les parafoudres comportant des circuits électroniques réalisant une fonction de coupure et fonctionnant à une fréquence de 9 kHz ou plus, voir la série CEI 61000.

## **7.5 Exigences supplémentaires pour des conceptions de parafoudres spécifiques**

### **7.5.1 Parafoudres à deux ports et parafoudres à un port avec bornes d'entrée/sortie séparées**

#### **7.5.1.1 Courant de charge assigné $I_L$**

Le constructeur doit déclarer le courant de charge assigné.

La conformité est vérifiée en effectuant l'essai décrit en 8.6.1.1.

#### **7.5.1.2 Comportement en surcharge**

Le parafoudre ne doit pas être endommagé ou altéré par les surcharges qui peuvent se produire en usage normal.

La conformité à cette exigence est vérifiée conformément à 8.6.1.2.

#### **7.5.1.3 Comportement vis-à-vis des courants de court-circuit aval**

Le parafoudre doit pouvoir supporter les courants induits par un court-circuit de l'alimentation du côté charge jusqu'à ce qu'il y ait coupure soit par le parafoudre proprement dit, soit par un déconnecteur interne ou externe.

La conformité est vérifiée en effectuant l'essai décrit en 8.6.1.3.

### **7.5.2 Essais d'environnement des parafoudres installés à l'extérieur**

Les parafoudres installés à l'extérieur doivent avoir une résistance suffisante aux rayonnements ultraviolets et à la corrosion.

Une procédure d'essai est proposée en 8.6.2 et dans l'Annexe F.

### **7.5.3 Parafoudres à circuits isolés séparés**

Lorsqu'un parafoudre comporte un circuit électriquement séparé du circuit principal, le constructeur doit fournir des informations concernant l'isolation et les tensions de tenue diélectrique entre les circuits ainsi que les normes pertinentes avec lesquelles il revendique la conformité.

Lorsque plus de deux circuits sont présents, les informations doivent être fournies pour chaque combinaison de circuits.

L'isolation et la tenue diélectrique entre les circuits principaux et les circuits isolés séparés doivent faire l'objet des essais décrits en 8.3.6 et 8.3.7.

### **7.5.4 SPD de type à court-circuit**

Ces parafoudres doivent supporter un essai de courant de court-circuit, à leur valeur déclarée de courant de court-circuit assigné, après avoir été soumis à un courant de foudre conformément à leur valeur assignée de courant de foudre de transition  $I_{trans}$ .

La conformité est vérifiée conformément à 8.6.4.

## **7.6 Exigences supplémentaires éventuellement déclarées par le constructeur**

### **7.6.1 Parafoudres à un ou deux ports**

#### **7.6.1.1 Courant total de décharge $I_{\text{Total}}$ (de parafoudres multipôles)**

Cet essai est uniquement réalisé si le constructeur revendique un courant total de décharge. La conformité est vérifiée conformément à 8.7.1.

### **7.6.2 Parafoudres à deux ports uniquement**

#### **7.6.2.1 Chute de tension**

La chute de tension doit être vérifiée conformément à 8.7.2.

#### **7.6.2.2 Capacité de tenue aux chocs aval**

Si le constructeur déclare une capacité de tenue aux chocs du côté charge, la conformité est vérifiée conformément à 8.7.3.

#### **7.6.2.3 Vitesse de croissance de la tension $du/dt$**

Si le constructeur déclare une valeur  $du/dt$  pour un parafoudre à deux ports comportant un dispositif de filtrage, cette valeur doit être vérifiée en réalisant les essais décrits en 8.7.4.

## **8 Essais de type**

Les essais de type sont effectués comme décrit dans le Tableau 3 sur trois échantillons par séquence d'essai. Dans chaque séquence, les essais doivent être réalisés dans l'ordre indiqué dans le Tableau 3. L'ordre dans lequel les séquences d'essai sont réalisées peut être modifié. Les essais des bornes doivent être effectués sur trois échantillons de bornes pour chaque type de construction/borne. (Un parafoudre comportant au moins trois bornes identiques satisfait à cette exigence d'échantillonnage).

Un échantillon satisfait à une séquence d'essai du Tableau 3 si l'ensemble des exigences des articles d'essais pertinents et des critères applicables sont remplies.

Si tous les échantillons requis satisfont à une séquence d'essai, la conception du parafoudre est acceptable pour cette séquence d'essai particulière. Si deux ou plusieurs échantillons d'essai échouent à une séquence d'essais, le parafoudre est considéré non conforme à la présente norme.

Dans le cas où un seul échantillon ne satisfait pas à un essai donné, cet essai, ainsi que ceux le précédant dans la même séquence d'essais et qui peuvent avoir influencé le résultat de cet essai, doivent être recommencés sur trois nouveaux échantillons, mais cette fois aucune défaillance sur un quelconque échantillon n'est admise.

Un même jeu de trois échantillons peut être utilisé pour plusieurs séquences d'essais, après accord du constructeur.

NOTE Pour les essais de comportement vis-à-vis des courants de court-circuit décrits en 8.3.5.3, il est nécessaire de préparer des échantillons spéciaux.

Si le parafoudre fait partie intégrante d'un produit couvert par une autre norme, les exigences de cette autre norme doivent s'appliquer aux parties du produit qui n'appartiennent pas à la partie parafoudre du produit. La partie parafoudre doit satisfaire aux exigences générales (7.1) et électriques (7.2), ainsi qu'aux exigences relatives à l'environnement et aux matériaux (7.4) du présent document. Les exigences mécaniques des autres normes doivent également s'appliquer au parafoudre.

## 8.1 Conditions générales des modes opératoires d'essai

Sauf spécification contraire, la norme de référence pour les modes opératoires d'essai haute tension est la CEI 61180-1.

Sauf spécification contraire, les valeurs en courant alternatif mentionnées dans la présente norme sont des valeurs efficaces.

Le parafoudre doit être installé et relié électriquement conformément aux instructions du constructeur. Aucun procédé extérieur de refroidissement ou de chauffage ne doit être utilisé.

Sauf spécification contraire, l'essai doit être effectué à l'air libre et la température ambiante doit être de  $20\text{ }^{\circ}\text{C} \pm 15\text{ }^{\circ}\text{C}$ .

Sauf spécification contraire, pour tous les essais exigeant une tension d'alimentation à  $U_{REF}$  ou  $U_C$ , la tolérance sur cette tension doit être de  $U_{C-5}^0\%$  pour les essais.

Lors des essais de parafoudres équipés de câbles par le constructeur, la longueur totale de ces câbles doit faire partie du parafoudre à l'essai.

Sauf spécification contraire, aucune maintenance ni démontage du parafoudre ne sont autorisés pendant l'essai. Les déconnecteurs externes doivent être choisis conformément aux instructions du constructeur et, si nécessaire, connectés pour les essais conformément au Tableau 3.

Tous les essais doivent être effectués pour chaque mode de protection; déclaré par le constructeur, cependant, si certains modes de protection comportent des circuits identiques, un seul essai peut être réalisé sur le mode de protection qui présente la configuration la plus vulnérable, en utilisant à chaque fois de nouveaux échantillons.

Pour les dispositifs multimode (par exemple des parafoudres triphasés) dont les circuits des composants de protection sont identiques, l'essai de chacun des modes (par exemple les trois phases) peut satisfaire à l'exigence de trois échantillons.

Pour les parafoudres avec une borne marquée N, qui peuvent être utilisés dans des réseaux sans neutre distribué selon les instructions du constructeur, un essai séparé du mode de protection L-PE avec le neutre non connecté est requis.

Si, conformément au Tableau 3, l'utilisation de papier de soie est requise:

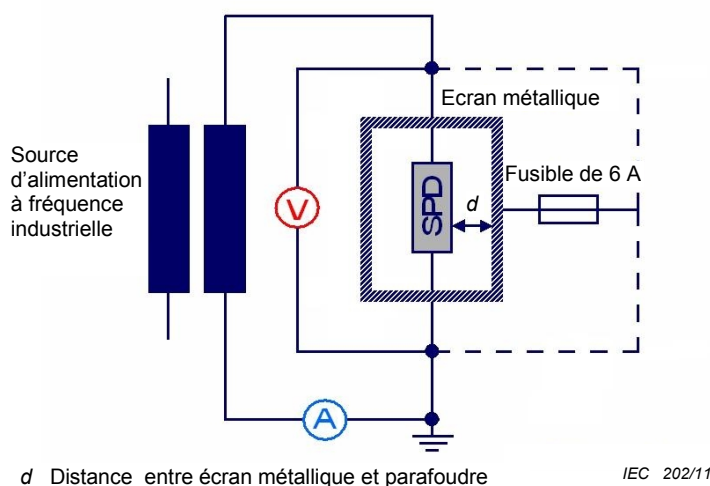
- Pour les parafoudres fixes: le papier de soie doit être fixé à une distance de 100 mm  $\pm$  20 mm dans toutes les directions de l'échantillon, à l'exception de la surface de montage.
- Pour les parafoudres mobiles: tous les côtés du parafoudre, y compris sa partie inférieure, doivent être enveloppés de manière lâche de papier de soie.

Si cela est exigé conformément au Tableau 3, un écran métallique doit être placé au voisinage de tous les côtés du parafoudre, à la distance minimale spécifiée en 7.1.1 b12). Les détails correspondants, y compris la distance entre l'écran métallique et le parafoudre, doivent être indiqués dans le rapport d'essai. L'écran métallique doit avoir les caractéristiques suivantes:

- Structure:
  - toile métallique
  - métal perforé ou déployé
- Rapport de surface des trous/surface totale: 0,45-0,65
- Dimensions maximale des trous: 30 mm<sup>2</sup>

- Finition: nue ou revêtement conducteur
- Résistance: La résistance entre le point le plus éloigné de l'écran métallique et le point de connexion de l'écran métallique, doit être suffisamment faible pour ne pas limiter le courant de court-circuit de l'écran

L'écran métallique doit être connecté par l'intermédiaire d'un fusible de 6A gL/gG à l'une des bornes du parafoudre en essai (Figure 1). L'écran doit être connecté à l'autre borne du parafoudre après chaque application du courant de court-circuit.



**Figure 1 – Montage d'essai de l'écran métallique**

Si le constructeur donne des exigences différentes pour le ou les déconnecteurs externes, en fonction du courant de court-circuit présumé du réseau, toutes les séquences d'essai appropriées doivent être réalisées pour chaque combinaison de déconnecteur(s) requis et de courants de court-circuit présumés correspondants.

Pendant toute la procédure d'essai, l'état fourni par le ou les indicateurs doit clairement signaler l'état de la partie à laquelle il est connecté. S'il existe plusieurs méthodes d'indication d'état, par exemple en local et à distance, chaque type d'indication doit être vérifié.

Il convient de noter que de bonnes techniques sont exigées pour les essais et mesures de tensions de choc, afin de s'assurer que des valeurs d'essai correctes sont mesurées et enregistrées.

Les parafoudres ne doivent pas générer de situation dangereuse lorsqu'ils sont utilisés dans les conditions d'essai conformément à la présente norme.

Tableau 3 – Exigences d'essais de type des parafoudres

Séquence d'essai	Description de l'essai	Paragraphe Exigence/essai	Déconnecteurs externes connectés <sup>a</sup>	Papier de soie utilisé	Ecran métallique utilisé	Classe d'essai I	Classe d'essai II	Classe d'essai III
1	Identification et marquage	7.1.1/7.1.2/8.2	-	-	-	A	A	A
	Montage	7.3.1	-	-	-	A	A	A
	Bornes et connexions	7.3.2/7.3.3/8.4.2	-	-	-	A	A	A
	Essai de protection contre les contacts directs	7.2.1/8.3.1	-	-	-	A	A	A
	Environnement, code IP	7.4.1/8.5.1	-	-	-	A	A	A
	Courant résiduel	7.2.2/8.3.2	-	-	-	A	A	A
	Essai de fonctionnement	7.2.4/8.3.4 <sup>b</sup>						
	Essai de fonctionnement pour les classes d'essai I, II ou III	8.3.4.2 / 8.3.4.3/ 8.3.4.5	A	-	-	A	A	A
	Essai de fonctionnement supplémentaire pour la classe d'essai I	8.3.4.4	A	-	-	A	-	-
	Stabilité thermique	7.2.5.2/ 8.3.5.2	A	-	-	A	A	A
	Distances dans l'air et lignes de fuite	7.3.4/8.4.3	-	-	-	A	A	A
	Essai à la bille	7.4.2/8.5.3	-	-	-	A	A	A
	Résistance à une chaleur anormale et au feu	7.4.3/8.5.4	-	-	-	A	A	A
	Résistance au cheminement	7.4.4/8.5.5	-	-	-	A	A	A
2	Niveau de protection en tension	7.2.3/8.3.3						
	Tension résiduelle	8.3.3.1	-	-	-	A	A	-
	Tension d'amorçage sur le front d'onde	8.3.3.2	-	-	-	A	A	-
	Tension de limitation avec onde combinée	8.3.3.3	-	-	-	-	-	A
2a	<b>Voir ci-dessous - si applicable uniquement</b>							
2b	<b>Voir ci-dessous - si applicable uniquement</b>							
3	Résistance d'isolement	7.2.6 / 8.3.6	-	-	-	A	A	A
	Rigidité diélectrique	7.2.7/8.3.7	-	-	-	A	A	A
3a	<b>Voir ci-dessous - si applicable uniquement</b>							
	Résistance mécanique	7.3.5/8.4.4	-	-	-	A	A	A
	Tenue en température	7.2.5 / 8.3.5.1 <sup>b</sup>	-	-	-	A	A	A
3b <sup>c</sup>	<b>Voir ci-dessous - si applicable uniquement</b>							
3c	<b>Voir ci-dessous - si applicable uniquement</b>							
4 <sup>c</sup>	Résistance à la chaleur	7.4.2/8.5.2	-	-	-	A	A	A
	Essais de TOV	7.2.8/8.3.8						
	TOV résultant de défaillances ou de perturbations du réseau basse tension	7.2.8.1/8.3.8.1 <sup>b</sup>	A	A	-	A	A	A

**Tableau 3 – Exigences d'essais de type des parafoudres (suite)**

Séquence d'essai	Description de l'essai	Paragraphe	Déconnecteurs externes connectés <sup>a</sup>	Papier de soie utilisé	Ecran métallique utilisé	Classe d'essai I	Classe d'essai II	Classe d'essai III
4 <sup>c</sup>	TOV dues à des défauts du réseau haute (moyenne) tension	7.2.8.2/8.3.8.2 <sup>b</sup>	A	A	-	A	A	A
5 <sup>c</sup>	Essais de comportement aux courants de court-circuit	7.2.5.3/8.3.5.3	A	-	A	A	A	A
<b>Essais supplémentaires pour des conceptions de parafoudres spécifiques</b>								
Séquence d'essai	Description de l'essai	Paragraphe	Déconnecteurs externes connectés <sup>a</sup>	Papier de soie utilisé	Ecran métallique utilisé	Classe d'essai I	Classe d'essai II	Classe d'essai III
<b>Essais supplémentaires pour parafoudres à deux ports et parafoudres à un port avec des bornes d'entrée/sortie séparées</b>								
3c <sup>c</sup>	Courant de charge assigné	7.5.1.1/8.6.1.1	A	-	-	A	A	A
	Comportement en surcharge	7.5.1.2 / 8.6.1.2 <sup>b</sup>	-	-	-	A	A	A
2b	Comportement vis-à-vis des courants de court-circuit aval	7.5.1.3 / 8.6.1.3 <sup>b</sup>	A	-	A	A	A	A
<b>Essais supplémentaires si déclarés par le constructeur</b>								
3b	Chute de tension	7.6.2.1/8.7.2	-	-	-	A	A	A
2a <sup>c</sup>	Tenue aux chocs aval	7.6.2.2 / 8.7.3 <sup>b</sup>	A	-	-	A	A	A
6	Essai de courant total de décharge pour des parafoudres multipôles	7.6.1.1 / 8.7.1 <sup>b</sup>	-	-	-	A	A	-
<b>Essais supplémentaires pour des parafoudres utilisés à l'extérieur</b>								
7	Pour des parafoudres classés « extérieur »	7.5.2 / 8.6.2	-	O	-	A	A	-
<b>Essais supplémentaires pour des parafoudres à circuits isolés séparés</b>								
3a	Isolement entre des circuits séparés	7.5.3/ 8.3.6 / 8.3.7	-	-	-	A	A	A
<b>Essais supplémentaires pour des parafoudres de type à court-circuit</b>								
8	Procédure de modification des caractéristiques (pré-conditionnement à l'état court-circuité)	7.5.4/8.6.4	-	-	-	-	A	-
	Essai de tenue aux chocs (à l'état court-circuité)	7.5.4/8.6.4	-	-	-	-	A	-
	Comportement vis-à-vis des courants de court-circuit (à l'état court-circuité)	7.5.4/8.6.4	A	-	A	-	A	-
A = Applicable - = Non applicable O = Optionnel								
<sup>a</sup> « déconnecteurs externes connectés » signifie que tous les déconnecteurs tels que spécifiés par le constructeur doivent être soumis aux essais de type avec le parafoudre, à l'exception des DDR qui ne sont pas soumis à l'essai de fonctionnement réalisé conformément à 8.3.4. <sup>b</sup> Pour ces essais, il est admis que des mesures initiales des courants de fuite soient nécessaires, conformément au Tableau 4, critère d'acceptation E. <sup>c</sup> Il est admis que plusieurs jeux d'échantillons puissent être nécessaires pour cette séquence d'essai								

**Tableau 4 – Critères d'acceptation communs pour les essais de type**

<b>A</b>	La stabilité thermique doit être atteinte. Le parafoudre est considéré stable du point de vue thermique si la crête de la composante résistive du courant traversant le parafoudre ou la puissance dissipée, soit tend à décroître, soit n'augmente pas pendant 15 min immédiatement après application de la tension $U_C$ . Si l'essai proprement dit est effectué alors que le parafoudre est alimenté à $U_C$ , la tension $U_C$ demeure appliquée pendant 15 min sans interruption ou bien est réappliquée dans les 30 s.
<b>B</b>	Les enregistrements de la tension et du courant ainsi que l'examen visuel ne doivent révéler aucune trace d'amorçage ou de perforation.
<b>C</b>	Aucun dommage visible ne doit apparaître pendant l'essai. Après l'essai, les petites empreintes et fissures qui ne remettent pas en cause la protection contre les contacts directs, sont ignorées lors de la vérification, à moins que le degré de protection (code IP) indiqué pour le parafoudre ne soit plus assuré. Après l'essai, il ne doit y avoir aucune trace visuelle de brûlure de l'échantillon.
<b>D</b>	Une fois l'essai terminé, les valeurs de tension de limitation mesurées doivent être inférieures ou égales à $U_P$ . La tension de limitation mesurée doit être déterminée au moyen des essais décrits en 8.3.3; cependant, l'essai décrit en 8.3.3.1 est réalisé uniquement avec un courant de foudre de forme d'onde 8/20 d'une valeur de crête de $I_{imp}$ pour la classe d'essai I ou $I_n$ pour la classe d'essai II, ou encore en réalisant l'essai décrit en 8.3.3.3 mais uniquement à $U_{OC}$ pour la classe d'essai III.
<b>E</b>	Il ne doit pas y avoir de courants de fuite excessifs après l'essai. Le parafoudre doit être connecté comme en utilisation normale, conformément aux instructions du constructeur, et alimenté à la tension d'essai de référence ( $U_{REF}$ ). Le courant circulant dans chaque borne est mesuré. Sa composante résistive (mesurée à la crête de l'onde sinusoïdale) ne doit pas dépasser 1 mA, ou bien le courant ne doit pas varier de plus de 20 % par rapport à la valeur initiale déterminée au début de la séquence d'essai correspondante. Tout déconnecteur réamorçable ou réarmable doit être manuellement mis en service, le cas échéant, et la tenue diélectrique doit être vérifiée par application d'une tension égale à deux fois $U_C$ ou 1 000 V a.c., selon la plus grande de ces deux valeurs. Au cours de l'essai, il ne doit pas y avoir de contournement, de claquage de l'isolation, qu'ils soient internes (perforation) ou externes (cheminement) ou une quelconque autre manifestation de décharge disruptive. En outre, pour les modes de parafoudres connectés entre N-PE, seul le courant traversant la borne PE doit être mesuré, tandis que les autres bornes sont alimentées à la tension maximale de régime permanent ( $U_C$ ). Sa composante résistive (mesurée à la crête de l'onde sinusoïdale) ne doit pas dépasser 1 mA, ou bien le courant ne doit pas varier de plus de 20 % par rapport à la valeur initiale déterminée au début de la séquence d'essai correspondante. S'il existe plusieurs dispositions possibles des connexions en utilisation normale, cette vérification doit être effectuée pour toutes les dispositions.
<b>F</b>	Les déconnecteurs externes, tels que spécifiés par le constructeur, ne doivent pas fonctionner au cours de l'essai et doivent demeurer en ordre de marche après l'essai. Pour les besoins du présent article, l'expression « ordre de marche » signifie que le déconnecteur n'a subi aucun dommage et qu'il est encore opérationnel. Le fonctionnement peut être vérifié soit manuellement (lorsque cela est possible), soit en réalisant un simple essai électrique, convenu entre le constructeur et le laboratoire.
<b>G</b>	Les déconnecteurs internes, tels que spécifiés par le constructeur, ne doivent pas fonctionner au cours de l'essai et doivent demeurer en ordre de marche après l'essai. Pour les besoins du présent article, l'expression « ordre de marche » signifie que le déconnecteur n'a subi aucun dommage et qu'il est encore opérationnel. Le fonctionnement peut être vérifié soit manuellement (lorsque cela est possible), soit en réalisant un simple essai électrique, convenu entre le constructeur et le laboratoire.
<b>H</b>	La coupure doit être assurée par un ou plusieurs déconnecteurs interne et/ou externe. Il doit être vérifié que l'indication d'état correspondante est correcte.
<b>I</b>	Les parafoudres ayant un degré de protection IP supérieur ou égal à IP20 ne doivent pas avoir de parties actives accessibles au doigt d'essai normalisé appliqué avec une force de 5 N (voir CEI 60529), sauf pour ce qui concerne les parties actives déjà accessibles avant l'essai lorsque le parafoudre est équipé comme en usage normal.
<b>J</b>	S'il y a déconnexion (interne ou externe) pendant l'essai, il doit être clairement prouvé que la coupure du(des) composant(s) de protection correspondant(s) est effectivement réalisée. En cas de déconnexion interne, l'échantillon d'essai est connecté comme en usage normal, à la tension maximale de régime permanent $U_C$ et à la fréquence assignée, pendant 1 min. La source d'essai doit avoir une tenue aux courant de court-circuit supérieure ou égale à 200 mA. Le courant circulant à travers les composants de protection concernés ne doit pas dépasser 1 mA. Les courants traversant les composants reliés en parallèle au(x) composant(s) de protection correspondant(s) ou connectés de toute autre manière (par exemple les circuits des indicateurs d'état), sont dans ce cas ignorés dans la mesure où ils ne peuvent pas générer de courant qui circulerait à travers le(s) composant(s) de protection concerné(s). En outre, le courant passant par la borne PE, y compris les circuits parallèles et les éventuels autres circuits (par exemple les circuits des indicateurs d'état) ne doit pas dépasser 1 mA. S'il existe plusieurs dispositions possibles des connexions en utilisation normale, cette vérification doit être effectuée pour toutes les dispositions.
<b>K</b>	Le courant de court-circuit de la source d'alimentation, s'il existe, doit être interrompu dans les 5 s par l'un des déconnecteurs interne et/ou externe.
<b>L</b>	Le papier de soie ne doit pas prendre feu.
<b>M</b>	Il ne doit se produire aucune explosion ou autre danger pour le personnel ou l'installation.
<b>N</b>	Il ne doit pas y avoir de contournement pour l'écran métallique et le fusible de 6 A gL/gG de connexion de l'écran ne doit pas fonctionner au cours de l'essai.
<b>O</b>	Après cet essai, les échantillons doivent revenir à la température ambiante et être connectés à une alimentation réglée à $U_C$ pendant 2 h. Le courant résiduel doit être surveillé; il ne doit pas dépasser de plus de 10 % la valeur mesurée au début de l'essai.

**Tableau 5 – Tableau croisé des critères d'acceptation avec les essais de type**

Critères Article	A	B	C	D	E	F	G	H	I	J	K	L	M	N	O
8.3.3.4		A	A						A				A		
8.3.4.6	A	A	A	A	A	A	A						A		
8.3.5.1			A				A								
8.3.5.2			A					A	A	A			A		A
8.3.5.3 a)			A					A	A	A	A		A	A	
8.3.5.3 b)			A					C	A	C	C		A	A	
8.3.5.3.1			A					A	A	A	A		A	A	
8.3.5.3.2			A					C	A	C			A	A	
8.3.8.1 a)			A					A	A	A	A	A	A		
8.3.8.1 b)	A	A	A	A	A	A	A		A			A	A		
8.3.8.2 a)			A					A	A	A	A	A	A		
8.3.8.2 b)	A	A	A	A	A		A		A		A	A	A		
8.5.2			A						A						
8.6.1.1			A			A	A								
8.6.1.2 a)			A					A	A	A			A		
8.6.1.2 b)			A	A	A				A						
8.6.1.3 a)			A		A			A	A	A	A		A	A	
8.6.1.3 b)			A	A	A			A	A	A	A		A	A	
8.6.4.2			A						A				A		
8.6.4.3			A					A	A	A	A		A	A	
8.7.1		A	A	A	A		A		A				A		
8.7.3	A	A	A	A	A	A	A								
A applicable C applicable sous condition															



### 8.1.1 Courant de choc de décharge utilisé pour l'essai de fonctionnement supplémentaire de classe I

Le courant de choc de décharge traversant le dispositif en essai (parafoudre) est défini par la valeur de crête  $I_{imp}$ , la charge  $Q$  et l'énergie spécifique  $W/R$ . Le courant de choc ne doit pas changer de polarité et doit atteindre  $I_{imp}$  dans les 50  $\mu$ s. Le transfert de la charge  $Q$  doit se produire dans les 5 ms et l'énergie spécifique  $W/R$  doit être dissipée en moins de 5 ms.

La durée du choc de courant ne doit pas dépasser 5 ms.

Le Tableau 6 donne les valeurs de  $Q$  (As) et de  $W/R$  (kJ/ $\Omega$ ), pour des exemples de valeurs de  $I_{imp}$  (kA).

La relation entre  $I_{imp}$ ,  $Q$  et  $W/R$  est la suivante:

$$Q = I_{imp} \times a \quad \text{où} \quad a = 5 \times 10^{-4} \text{ s}$$

$$W/R = I_{imp}^2 \times b \quad \text{où} \quad b = 2,5 \times 10^{-4} \text{ s}$$

**Tableau 6 – Paramètres préférentiels d'essai de classe I**

$I_{imp}$ en moins de 50 $\mu$ s kA	$Q$ en moins de 5 ms As	$W/R$ en moins de 5 ms kJ/ $\Omega$
25	12,5	156
20	10	100
12,5	6,25	39
10	5	25
5	2,5	6,25
2	1	1
1	0,5	0,25

NOTE L'une des formes d'onde de choc d'essai possible, satisfaisant les paramètres ci-dessus, est la forme d'onde 10/350 proposée dans la CEI 62305-1.

Les tolérances suivantes doivent s'appliquer:

- $I_{imp}$            –10 %/+10 %;
- $Q$                 –10 %/+20 %;
- $W/R$            –10 %/+45 %.

### 8.1.2 Choc de courant utilisé pour les essais de fonctionnement et de tension résiduelle de classe I et de classe II

La forme d'onde est 8/20. Les tolérances sur la forme d'onde de courant circulant à travers le dispositif en essai sont les suivantes:

- valeur de crête            $\pm 10$  %
- durée du front            $\pm 10$  %
- durée jusqu'à mi-valeur    $\pm 10$  %

Un léger dépassement ou des oscillations sont permises si l'amplitude de chaque oscillation ne dépasse pas la valeur de crête de plus de 5 %. Toute inversion de polarité après le passage par zéro du courant ne doit pas être supérieure à 30 % de la valeur de crête.

Dans le cas de dispositifs à deux ports, l'amplitude de l'inversion doit être inférieure à 5 % de façon à ne pas influencer sur la tension de limitation mesurée.

### 8.1.3 Tension de choc utilisée pour des essais d'amorçage de classe I et de classe II

La forme d'onde de tension normalisée est 1,2/50. Les tolérances de forme d'onde de la tension de circuit ouvert aux points où le dispositif en essai (DUT) sera connecté sont les suivantes:

- valeur de crête  $\pm 5 \%$
- durée du front  $\pm 30 \%$
- durée jusqu'à mi-valeur  $\pm 20 \%$ .

Des oscillations ou un dépassement peuvent apparaître à la valeur de crête du choc. Si la fréquence de ces oscillations est supérieure à 500 kHz ou si la durée du dépassement est inférieure à 1  $\mu\text{s}$ , une courbe moyenne doit être tracée et, pour le mesurage, l'amplitude maximale de cette courbe moyenne est celle qui définit la valeur de crête de la tension d'essai.

Les oscillations dépassant de 3 % la valeur de crête ne sont pas admises sur le front montant de la tension de choc entre 0 % et 80 % de la valeur de crête.

Les dispositifs de mesure doivent avoir une largeur de bande passante totale au moins égale à 25 MHz et le dépassement doit être inférieur à 3 %.

Le courant de court-circuit du générateur d'essai doit être inférieur à 20 % du courant nominal de décharge  $I_n$  du parafoudre.

### 8.1.4 Onde de choc combinée utilisée pour les essais de classe III

Le choc standard d'un générateur d'ondes combinées est caractérisé par la tension de sortie en circuit ouvert et par le courant de sortie en court-circuit. La tension de sortie en circuit ouvert doit présenter un temps de montée de 1,2  $\mu\text{s}$  et un temps jusqu'à mi-valeur de 50  $\mu\text{s}$ . Le courant de sortie en court-circuit doit présenter un temps de montée de 8  $\mu\text{s}$  et un temps jusqu'à mi-valeur de 20  $\mu\text{s}$ .

NOTE 1 Pour plus d'informations sur ce sujet, voir IEEE C62.45:2009.

a) Les tolérances de la tension de circuit ouvert  $U_{oc}$  aux points où le dispositif en essai (DUT) sera connecté sont les suivantes:

- valeur de crête  $\pm 5 \%$
- durée du front  $\pm 30 \%$
- durée jusqu'à mi-valeur  $\pm 20 \%$ .

Ces tolérances concernent le générateur uniquement, sans connexion d'un quelconque circuit du parafoudre ou de l'alimentation.

Des oscillations ou un dépassement peuvent apparaître à la valeur de crête du choc. Si la fréquence de ces oscillations est supérieure à 500 kHz ou si la durée du dépassement est inférieure à 1  $\mu\text{s}$ , une courbe moyenne doit être tracée et, pour le mesurage, l'amplitude maximale de cette courbe moyenne est celle qui définit la valeur de crête de la tension d'essai.

Les oscillations dépassant de 3 % la valeur de crête ne sont pas admises sur le front montant de la tension de choc entre 0 % et 80 % de la valeur de crête.

Les dispositifs de mesure doivent avoir une largeur de bande passante totale au moins égale à 25 MHz et une erreur sur la valeur absolue inférieure à 3 %.

b) Les tolérances de courant de court-circuit  $I_{SC}$  aux points où le dispositif en essai (DUT) sera connecté sont les suivantes:

- valeur de crête  $\pm 10 \%$
- durée du front  $\pm 10 \%$
- durée jusqu'à mi-valeur  $\pm 10 \%$ .

Ces tolérances applicables au générateur doivent être satisfaites, qu'un circuit d'alimentation soit ou non connecté, selon que l'essai doit être effectué sous tension ou hors-tension.

Un léger dépassement ou des oscillations sont permises si l'amplitude de chaque oscillation ne dépasse pas la valeur de crête de plus de 5 %. Toute inversion de polarité après le passage par zéro du courant ne doit pas être supérieure à 30 % de la valeur de crête.

c) Montage d'essai:

La valeur nominale de l'impédance fictive  $Z_f$  du générateur doit être de  $2 \Omega$ . Par définition, l'impédance fictive est le rapport de la valeur de crête de la tension en circuit ouvert  $U_{OC}$  sur la valeur de crête du courant de court-circuit  $I_{SC}$ .

Les exigences ci-dessus de forme d'onde et de tolérances s'appliquent uniquement à l'essai effectué à la valeur de  $U_{OC}$  déclarée par le constructeur qui, pour être obtenue, peut nécessiter un certain réglage du générateur. Pour les essais effectués à une valeur inférieure à  $U_{OC}$  en vertu de 8.3.3.3 b), aucun réglage supplémentaire du générateur n'est requis et la même configuration doit être utilisée.

L'élément de couplage du générateur doit de préférence être réalisé par une varistance de valeur assignée aussi proche que possible de la tension de régime permanent  $U_C$  du dispositif en essai, afin d'obtenir des résultats comparables entre les différents laboratoires d'essai.

NOTE 2 Ceci évite des efforts excessifs de réalisation des montages d'essai dus à la non-linéarité de l'élément de couplage du générateur qui affecte l'impédance totale du générateur à différents réglages de  $U_{OC}$ .

Les valeurs maximales de la tension de crête en circuit ouvert  $U_{OC}$  et du courant de crête en court-circuit  $I_{SC}$  sont respectivement de 20 kV et de 10 kA. Au-dessus de ces valeurs (20 kV/10 kA), il faut effectuer des essais de classe II.

La possibilité d'utiliser des réseaux de découplage pour des essais sous tension dépend de la conception interne du parafoudre:

- lorsque le parafoudre ne comporte pas de composants réactifs, le réseau de découplage n'est pas nécessaire.
- lorsque le parafoudre contient des composants réactifs mais ne comporte aucun composant à coupure de tension, de préférence ne pas utiliser de réseau de découplage; il est également possible d'exécuter l'essai de tension de limitation mesurée décrit en 8.3.3 au moyen d'un mode opératoire d'essai alternatif, conformément au 8.1.4.1.
- lorsque le parafoudre comporte à la fois des composants réactifs et des composants à coupure de tension, il ne faut utiliser aucun réseau de découplage.

Les éléments de couplage et les réseaux de découplage sont uniquement nécessaires pour les essais sous tension.

La Figure 2 et la Figure 3 fournissent des exemples de réseaux de découplage.

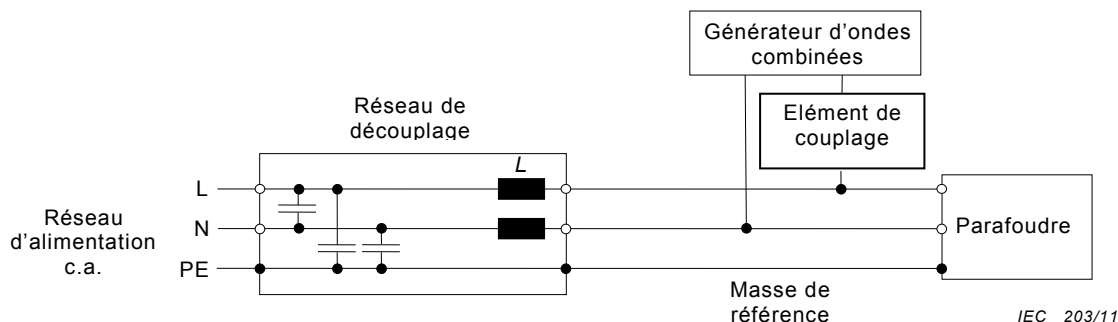


Figure 2 – Exemple de réseau de découplage pour une alimentation monophasée

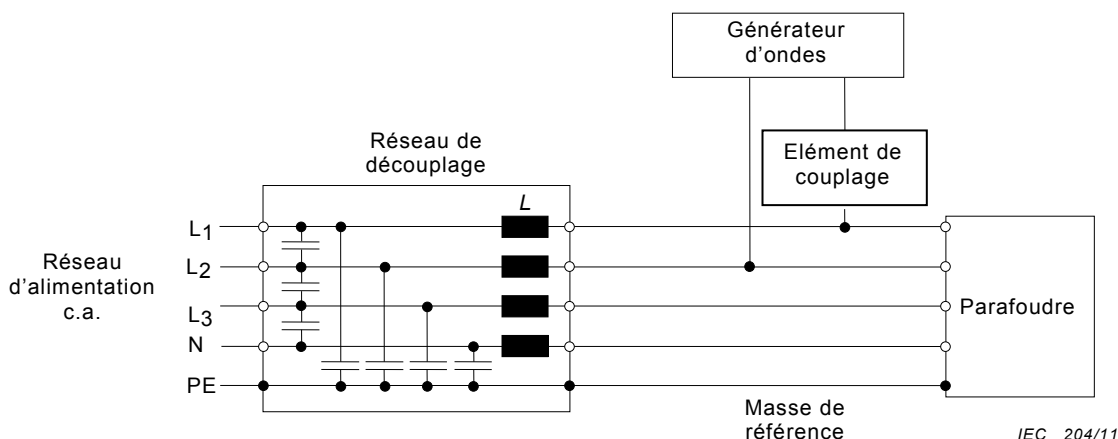


Figure 3 – Exemple de réseau de découplage pour une alimentation triphasée

**8.1.4.1 Circuit d'essai alternatif pour la détermination de la tension de limitation mesurée (8.3.3) sans réseau de découplage**

Les parafoudres à deux ports avec des éléments réactifs génèrent des interactions avec les éléments réactifs d'un filtre anti-retour. Cela peut produire des valeurs artificiellement faibles de la tension de limitation mesurée. Dans ce cas, il faut utiliser le circuit d'essai alternatif décrit en Figure 4.

- a) Pour les parafoudres à courant alternatif, une tension continue de  $U_c \cdot \sqrt{2}$ , doit être appliquée par l'intermédiaire d'une diode. Le choc doit de préférence être appliqué via une varistance.
- b) Le choc doit être appliqué à  $100 \begin{smallmatrix} +10 \\ 0 \end{smallmatrix}$  ms % après fermeture de S1. La tension continue doit être coupée dans les 10 ms qui suivent l'application du choc.
- c) Les essais de polarité inverse peuvent être réalisés en inversant la connexion du parafoudre au circuit d'essai.

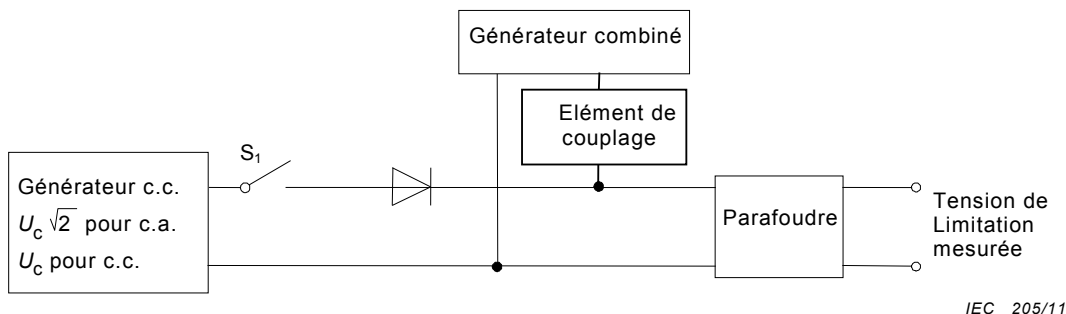


Figure 4 – Essai alternatif de la tension de limitation mesurée

## 8.2 Indélébilité du marquage

Cet essai doit être effectué pour tous types de marquages à l'exception de ceux qui sont réalisés par gaufrage, moulage ou gravure.

L'essai consiste à frotter le marquage à la main pendant 15 s avec un chiffon de coton imbibé d'eau et pendant 15 s encore avec un chiffon de coton imbibé d'hexane aliphatique (de teneur maximale en carbures aromatiques de 0,1 % en volume, d'indice de kauributanol de 29, de température initiale d'ébullition d'environ 65 °C et de masse spécifique de 0,68 g/cm<sup>3</sup>).

Après cet essai, le marquage doit être facilement lisible.

## 8.3 Essais électriques

### 8.3.1 Protection contre les contacts directs

#### 8.3.1.1 Parties isolantes

L'échantillon est monté comme en usage normal; l'essai est réalisé au moyen de conducteurs de la plus petite section et puis au moyen de conducteurs de la plus grande section, comme spécifié en 8.4.2.

Le doigt d'essai normalisé (conforme à la CEI 60529) est appliqué en tout emplacement possible.

Pour les parafoudres enfichables, (qui peuvent être remplacés sans l'aide d'un outil) le doigt d'essai est appliqué en tout emplacement possible, le dispositif étant partiellement ou totalement enfiché dans une embase.

Un indicateur de continuité électrique fonctionnant à une tension comprise entre 40 V et 50 V, dont une extrémité est connectée à toutes les bornes sous tension de l'échantillon reliées entre elles et l'autre extrémité au doigt d'essai, est utilisé pour vérifier un éventuel contact avec une quelconque partie sous tension de l'échantillon.

#### 8.3.1.2 Parties métalliques

Les parties métalliques accessibles lorsque le dispositif est câblé et monté comme en usage normal, doivent être reliées à la terre par une liaison de faible résistance, à l'exception de petites vis ou de pièces analogues, isolées des parties actives et utilisées pour la fixation des supports, couvercles ou plaques de protection des embases.

Un courant (issu d'une source alternative dont la tension à vide ne dépasse pas 12 V) d'une valeur égale à 1,5 fois le courant assigné ou 25 A, en prenant la valeur la plus élevée, est appliqué entre la borne de terre et chacune des parties métalliques accessibles, tour à tour.

La chute de tension entre la borne de terre et la partie métallique accessible est mesurée et la résistance est calculée à partir du courant et de cette chute de tension. La résistance ne doit en aucun cas dépasser 0,05 Ω.

NOTE Il convient de veiller à ce que la résistance de contact entre la pointe de la sonde de mesure et l'élément métallique soumis à l'essai n'influence pas les résultats des essais.

#### 8.3.2 Courant résiduel $I_{PE}$

Le parafoudre doit être connecté comme en utilisation normale, conformément aux instructions du constructeur. La tension doit être réglée à la tension d'essai de référence ( $U_{REF}$ ).

Le courant résiduel circulant dans la borne de terre de protection est mesuré.

NOTE 1 Si le constructeur autorise plusieurs configurations d'installation du parafoudre, il convient que cet essai soit effectué pour chaque configuration.

NOTE 2 Il convient que la valeur efficace vraie du courant soit mesurée.

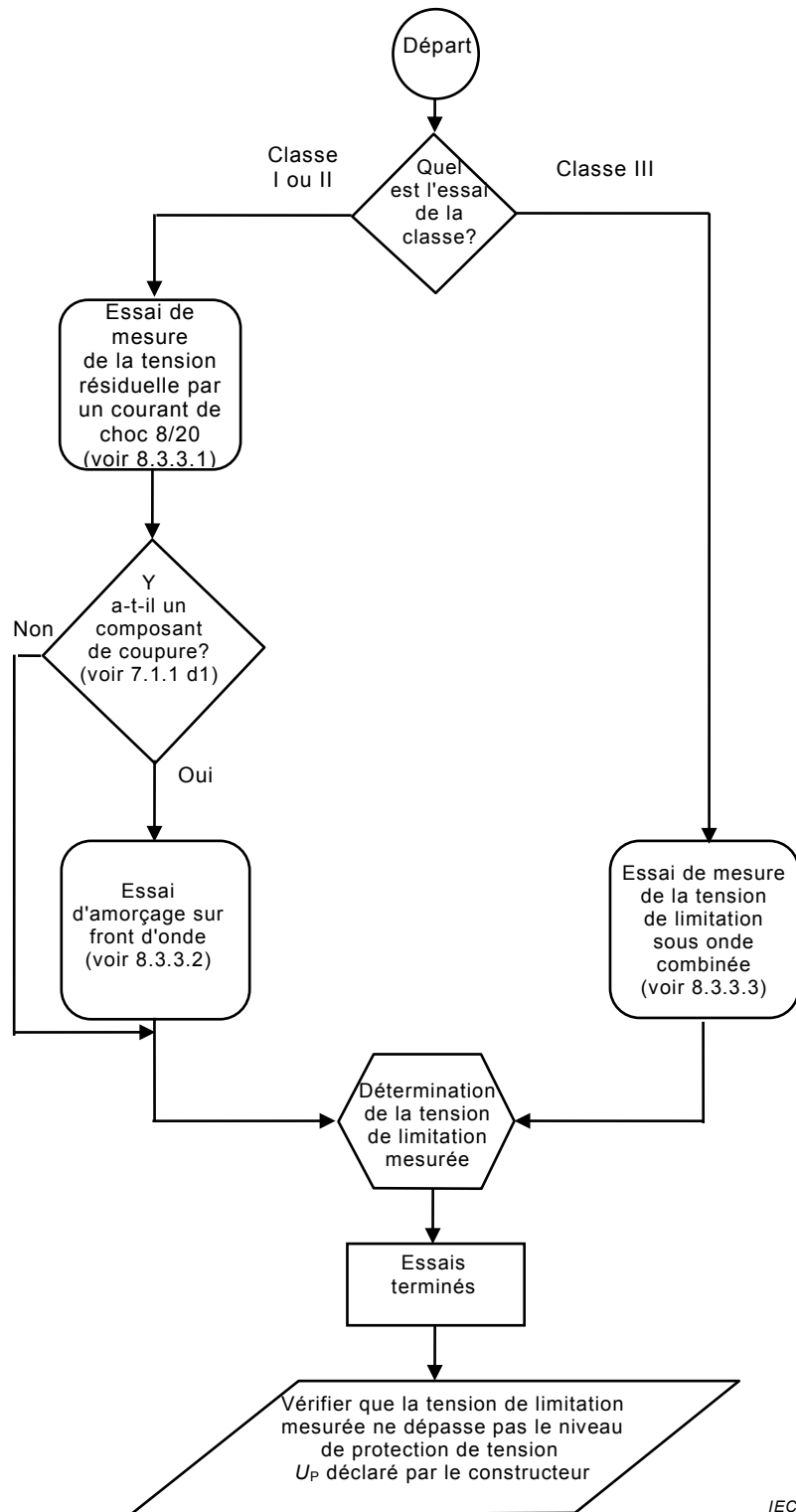
NOTE 3 Si le parafoudre comporte une borne qui est censée être connectée à un conducteur PEN uniquement, cette borne n'est pas considérée être une borne de terre de protection.

### **Critères d'acceptation**

La valeur du courant résiduel mesurée ne doit pas dépasser la valeur déclarée par le constructeur conformément à 7.1.1 b11).

### **8.3.3 Tension de limitation mesurée**

Les essais des différents types de parafoudres destinés à déterminer leur tension de limitation mesurée doivent être effectués conformément à l'organigramme de la Figure 5 et au Tableau 7 ci-après.



IEC 206/11

**Figure 5 – Diagramme d'essai pour la vérification du niveau de protection en tension  $U_p$**

**Tableau 7 – Essais pour la détermination de la tension de limitation mesurée**

	Classe I	Classe II	Classe III
Essai 8.3.3.1	X	X	
Essai 8.3.3.2	X <sup>a</sup>	X <sup>a</sup>	
Essai 8.3.3.3			X
<sup>a</sup> A effectuer seulement pour les parafoudres de type à coupure de tension et de type combiné.			

Les conditions spécifiques d'essai suivantes sont applicables:

- Tous les parafoudres à un port doivent être essayés hors tension.
- Tous les parafoudres à deux ports doivent être sous tension pour les essais réalisés conformément à 8.3.3.1 et à 8.3.3.3; la source de tension d'alimentation doit avoir un courant nominal d'au moins 5 A à  $U_C$ . Des chocs positifs sont appliqués au point  $(90 \pm 5)^\circ$  et des chocs négatifs au point  $(270 \pm 5)^\circ$  sur la forme d'onde de tension sinusoïdale.
- Pour les parafoudres à un port comportant des bornes, l'essai est effectué sans déconnecteurs externes et la tension est mesurée au niveau des bornes. Pour des parafoudres à un port ayant des conducteurs de connexion, la tension est mesurée avec des longueurs de conducteurs externes de 150 mm. Pour les parafoudres à deux ports et les parafoudres à un port ayant des bornes de charge séparées, la tension utilisée pour déterminer la tension de limitation mesurée est relevée au niveau du port de sortie/charge ou des bornes de charge du parafoudre et la tension utilisée pour déterminer  $U_{max}$  est relevée au niveau du port d'entrée/phase ou des bornes du parafoudre.
- La tension de limitation mesurée et  $U_{max}$  sont déterminées en effectuant des essais conformément à la Figure 5 et au Tableau 7, en fonction de la classe d'essai du parafoudre.

### 8.3.3.1 Tension résiduelle avec des courants de choc de forme d'onde 8/20

- Pour les essais de parafoudres de classe I, il doit être appliqué des chocs de courant de forme d'onde 8/20 avec une séquence de valeur de crête d'environ 0,1; 0,2; 0,5; et 1,0 fois la valeur de crête de  $I_{imp}$ . Pour les essais de parafoudres de classe II, il doit être appliqué des chocs de courant de forme d'onde 8/20 avec une séquence de valeur de crête d'environ 0,1; 0,2; 0,5; et 1,0 fois le courant nominal de décharge  $I_n$ . Si le parafoudre comporte uniquement des composants de limitation de tension, il n'est nécessaire d'effectuer cet essai qu'aux valeurs de crête de  $I_{imp}$  pour la classe d'essai I ou de  $I_n$  pour la classe d'essai II. Lorsque  $I_{max}$  est déclaré par le constructeur, un courant de choc supplémentaire de forme d'onde 8/20, avec une valeur de crête de  $I_{max}$ , doit être appliqué et la tension résiduelle doit être mesurée et enregistrée.
- Une séquence de polarité positive et une séquence de polarité négative sont appliquées au parafoudre.
- L'intervalle entre les chocs individuels doit être suffisamment long pour permettre à l'échantillon de refroidir et revenir à la température ambiante.
- Un oscillogramme du courant et de la tension doit être enregistré pour chaque choc. Le cas échéant, les valeurs de crête (absolues) doivent être tracées sur un schéma présentant le courant de décharge par rapport à la tension résiduelle, en fonction de  $I_n$  ou  $I_{imp}$ . Une courbe passant par les points des données obtenues doit être tracée. Il doit y avoir suffisamment de points sur la courbe pour s'assurer qu'il n'y a pas d'écarts significatifs jusqu'à  $I_n$  ou  $I_{imp}$ .
- La tension résiduelle utilisée pour déterminer la tension de limitation mesurée est la valeur de tension la plus élevée correspondant à la gamme de courants pour:
  - la classe I: jusqu'à  $I_{imp}$
  - la classe II: jusqu'à  $I_n$

NOTE La tension résiduelle est la valeur de crête la plus élevée mesurée lorsque le courant de foudre est appliqué. Les éventuelles perturbations et les pics de haute fréquence générés avant et pendant la circulation



du courant, dus à une conception de générateurs spécifique, comme par exemple les générateurs « de type crowbar », sont ignorés.

- f) La tension résiduelle pour déterminer  $U_{\max}$  est la tension résiduelle la plus élevée mesurée à  $I_n$ ,  $I_{\max}$ ,  $I_{\text{imp}}$ , selon le cas, et en fonction de la(les) classe(s) d'essai du parafoudre.

### 8.3.3.2 Tension d'amorçage sur le front d'onde

La tension de choc 1,2/50 est utilisée. Le générateur de tension est réglé pour une tension de sortie en circuit ouvert de 6 kV.

- 10 chocs sont appliqués sur le parafoudre, cinq de polarité positive et cinq de polarité négative.
- L'intervalle entre les chocs individuels doit être suffisamment long pour permettre le refroidissement de l'échantillon à la température ambiante.
- Si l'amorçage n'est pas observé pendant chacun des 10 chocs sur le front d'onde, les étapes a) et b) ci-dessus sont recommencées en augmentant la tension de sortie du générateur jusqu'à 10 kV au maximum. Ceci doit être indiqué dans le rapport d'essai.
- La tension observée au niveau du parafoudre doit être enregistrée avec un oscilloscope.
- La tension utilisée pour déterminer la tension de limitation mesurée et  $U_{\max}$  est la tension d'amorçage maximale enregistrée pendant cet essai.

### 8.3.3.3 Tension de limitation avec onde combinée

Un générateur d'ondes combinées est utilisé pour réaliser cet essai.

- L'intervalle entre les chocs individuels doit être suffisamment long pour que l'échantillon refroidisse et revienne à la température ambiante.
- Le générateur d'ondes combinées est réglé de manière à fournir une tension en circuit ouvert de 0,1; 0,2; 0,5; et 1,0 fois la valeur de  $U_{OC}$  telle que déclarée par le constructeur du parafoudre. Si le parafoudre comporte uniquement des composants à limitation de tension, cet essai n'est effectué qu'à la tension  $U_{OC}$ .
- Le générateur étant ainsi réglé, il est appliqué au parafoudre quatre chocs à chaque amplitude: deux de polarité positive et deux de polarité négative.
- Pour chaque choc, le courant délivré par le générateur dans le parafoudre et la tension au niveau du port de sortie doivent être enregistrés à l'oscilloscope.
- La tension utilisée pour déterminer la tension de limitation mesurée et  $U_{\max}$  est la tension maximale enregistrée pendant cet essai.

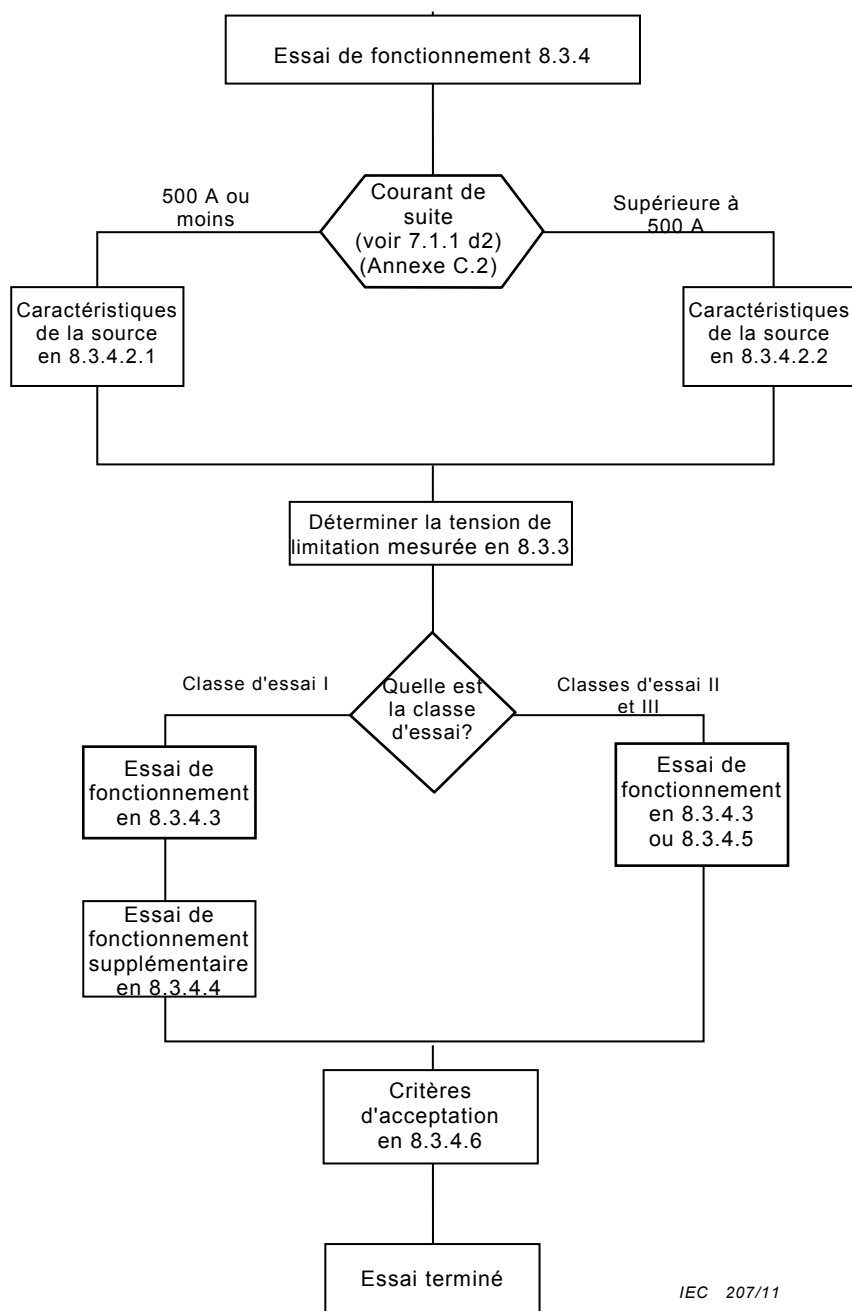
NOTE Selon la conception du parafoudre, il peut s'agir de la tension d'amorçage ou de la tension résiduelle.

### 8.3.3.4 Critères d'acceptation applicables à tous les essais de tension de limitation mesurée

Les critères d'acceptation **B**, **C**, **I** et **M** du Tableau 4 doivent s'appliquer.

### 8.3.4 Essai de fonctionnement

Un aperçu du diagramme d'essai de fonctionnement est donné en Figure 6.



IEC 207/11

Figure 6 – Diagramme d'essai de fonctionnement

### 8.3.4.1 Généralités

Cet essai est réalisé dans des conditions de service simulées en appliquant un nombre spécifique de chocs au parafoudre alimenté sous la tension maximale de régime permanent  $U_c$  par une source alternative conformément à 8.3.4.2

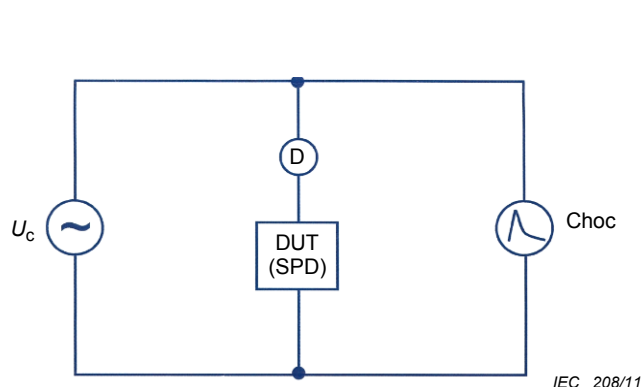
Le circuit d'essai doit se conformer aux principes du schéma donné à la Figure 7

La tension de limitation mesurée être déterminée selon les essais décrits en 8.3.3.

Pour éviter une surcharge excessive des échantillons, l'essai est effectué:

- conformément à 8.3.3.1, mais uniquement à une valeur de crête correspondant à  $I_{imp}$  pour la classe d'essai I
- conformément à 8.3.3.1, mais uniquement à  $I_n$  pour la classe d'essai II

- conformément à 8.3.3.3, mais uniquement à  $U_{oc}$  pour la classe d'essai III en appliquant un choc positif et un choc négatif.



#### Légende

$U_C$ : source à fréquence industrielle conformément à 8.3.4.2

D: déconnecteurs du parafoudre, comme spécifiés par le constructeur

DUT: Dispositif en essai (SPD)

Choc: Onde 8/20 pour essai de fonctionnement classe I et II selon 8.3.4.3

Courant de décharge  $I_{imp}$  pour essais de fonctionnement supplémentaires selon 8.3.4.4

Onde combinée pour essais de fonctionnement classe III selon 8.3.4.5

Figure 7 – Schéma du circuit d'essai de fonctionnement

### 8.3.4.2 Caractéristiques de la source à fréquence industrielle pour l'essai de fonctionnement

#### 8.3.4.2.1 Parafoudres avec courant de suite d'au maximum 500 A

L'échantillon d'essai doit être connecté à une source de tension à fréquence industrielle. L'impédance de cette source d'alimentation doit être telle que, lors du passage du courant de suite, la valeur de crête de la tension à fréquence industrielle mesurée aux bornes du parafoudre, ne chute pas de plus de 10 % en dessous de la valeur de crête de  $U_C$ .

#### 8.3.4.2.2 Parafoudres avec courant de suite supérieur à 500 A

L'échantillon d'essai doit être connecté à une source de tension à fréquence industrielle à  $U_C$ , avec un courant de court-circuit présumé:

- soit égal à la valeur assignée d'interruption du courant de suite  $I_{fi}$  déclarée par le constructeur conformément au Tableau 8
- soit égal à 500 A

en prenant la valeur la plus élevée, sauf pour les parafoudres qui sont uniquement connectés entre le neutre et la terre de protection en schéma TT- et/ou TN, auquel cas le courant de court-circuit présumé doit être d'au moins 100 A.

NOTE Pour plus d'informations sur la coordination entre la valeur assignée d'interruption du courant de suite du parafoudre et le courant de court-circuit présumé disponible du réseau spécifique de distribution d'énergie au point d'installation, se reporter à la CEI 61643-12 et à la CEI 60364-5-53, Paragraphe 534.2.3.5.

### 8.3.4.3 Essai de fonctionnement pour les classes I et II

Trois groupes de cinq courants de choc de forme d'onde 8/20 de polarité positive doivent être appliqués. Les échantillons sont connectés à une source d'alimentation conformément à 8.3.4.2. Chaque choc doit être synchronisé à la fréquence industrielle. En partant de  $0^\circ$ , l'angle de synchronisation doit être augmenté par incréments de  $30^\circ$  avec une tolérance de  $\pm 5^\circ$  pour chaque angle de synchronisation. Les essais sont décrits à la Figure 8.

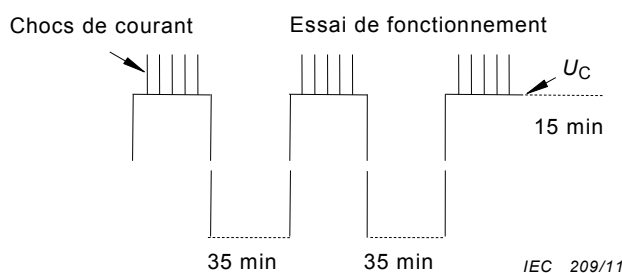
Le parafoudre doit être alimenté à  $U_C$ . Le courant de court-circuit présumé de la source d'alimentation doit être conforme aux exigences de 8.3.4.2 pendant l'application des groupes de chocs. Après application de chaque groupe de chocs et après interruption du dernier courant de suite (éventuellement) le parafoudre doit demeurer sous tension sans interruption pendant au moins 1 min afin de surveiller les éventuels réamorçages. Après application du dernier groupe de chocs et la période requise de 1 min, le parafoudre demeure sous tension

ou est remis sous tension dans les 30 s qui suivent, à la valeur  $U_C$  pendant une période supplémentaire de 15 min afin de vérifier sa stabilité. Pour cette dernière opération, la tenue aux courts-circuits de la source d'alimentation (à la tension  $U_C$ ) peut être réduite à 5 A.

Pour les essais de parafoudres de classe I, des courants de choc de forme d'onde 8/20 avec une valeur de crête correspondant à  $I_{imp}$  doivent être appliqués.

Pour les essais de parafoudres de classe II, des courants de choc de forme d'onde 8/20 avec  $I_n$  doivent être appliqués.

NOTE Si un parafoudre est de classe d'essai I et de classe d'essai II, cet essai peut être réalisé seulement une fois, mais avec les paramètres d'essais les plus sévères des deux classes d'essai, avec l'accord du constructeur.



**Figure 8 – Chronogramme d'essai de fonctionnement pour les classes I et II**

L'intervalle entre chocs est de 50 s à 60 s; l'intervalle entre chaque groupe est de 30 min à 35 min.

Il n'est pas exigé de mettre l'échantillon sous tension entre les groupes.

Tous les chocs de courant doivent être enregistrés; les enregistrements ne doivent pas révéler de signes de perforation ou de contournement des échantillons.

#### 8.3.4.4 Essai de fonctionnement supplémentaire pour la classe d'essai I

L'essai est effectué en appliquant au parafoudre des chocs de courant par incréments jusqu'à  $I_{imp}$ .

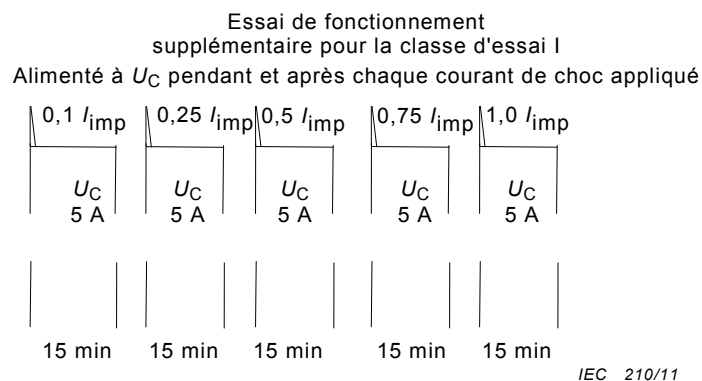
Le parafoudre doit être alimenté à  $U_C$ . Le courant de court-circuit présumé de la source d'alimentation doit être de 5 A pendant l'application des chocs. Après application de chaque choc et après interruption de chaque courant de suite (éventuellement), le parafoudre doit demeurer sous tension sans interruption pendant au moins 1 min afin de vérifier le réamorçage. Après cette période, le parafoudre doit rester sous tension ou être remis sous tension dans les 30 s, à  $U_C$ , pour une autre période de 15 min, afin de vérifier sa stabilité. A cet effet, la tenue aux courts-circuits de la source d'alimentation doit également être de 5 A.

Des chocs de courant de polarité positive doivent être appliqués à l'échantillon d'essai sous tension dans la valeur de crête positive correspondante de la source de tension à fréquence industrielle de la manière suivante.

- Un choc de courant à  $0,1 I_{imp}$ ; vérifier la stabilité thermique; laisser refroidir jusqu'à la température ambiante.
- Un choc de courant à  $0,25 I_{imp}$ ; vérifier la stabilité thermique; laisser refroidir jusqu'à la température ambiante.
- Un choc de courant à  $0,5 I_{imp}$ ; vérifier la stabilité thermique; laisser refroidir jusqu'à la température ambiante.
- Un choc de courant à  $0,75 I_{imp}$ ; vérifier la stabilité thermique; laisser refroidir jusqu'à la température ambiante.

- e) Un choc de courant à  $1,0 I_{imp}$ ; vérifier la stabilité thermique; laisser refroidir jusqu'à la température ambiante.

Le chronogramme correspondant est décrit à la Figure 9.



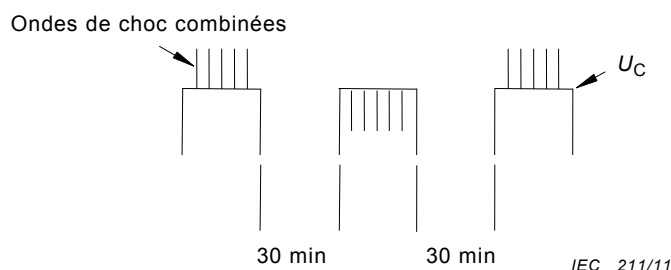
**Figure 9 – Chronogramme d'essai de fonctionnement supplémentaire pour la classe I**

#### 8.3.4.5 Essai de fonctionnement de classe III

L'essai est effectué en appliquant au parafoudre trois groupes de chocs correspondant à  $U_{oc}$  de la manière suivante:

- cinq chocs positifs initiés à la valeur de crête de demi-alternance positive ( $\pm 5^\circ$ )
- cinq chocs négatifs initiés à la valeur de crête de demi-alternance négative ( $\pm 5^\circ$ )
- cinq chocs positifs initiés à la valeur de crête de demi-alternance positive ( $\pm 5^\circ$ )

Le chronogramme correspondant est décrit à la Figure 10.



**Figure 10 – Chronogramme d'essai de fonctionnement pour la classe III**

#### 8.3.4.6 Critères d'acceptation applicables à tous les essais de fonctionnement et à l'essai de fonctionnement supplémentaire pour la classe I

Les critères d'acceptation **A**, **B**, **C**, **D**, **E**, **F**, **G** et **M** du Tableau 4 doivent s'appliquer.

#### 8.3.5 Déconnecteurs et performances de sécurité des parafoudres soumis à des contraintes de surcharge excessives

##### 8.3.5.1 Essai de tenue en température

Le parafoudre est maintenu dans une armoire chauffée à une température ambiante de  $80\text{ }^\circ\text{C} \pm 5\text{ K}$  pendant 24 h.

Les critères d'acceptation **C** et **G** du Tableau 4 doivent s'appliquer.

### 8.3.5.2 Stabilité thermique

#### Réglages d'essai

Le présent mode opératoire d'essai s'applique de deux manières différentes en fonction de la conception du parafoudre:

- pour des parafoudres comportant uniquement des composants de limitation de tension, le mode opératoire a) ci-dessous s'applique.
- pour des parafoudres comportant à la fois des composants de limitation de tension et des composants à coupure de tension, le mode opératoire b) ci-dessous s'applique.

#### Préparation des échantillons

Dans le cas de parafoudres comportant des composants non linéaires raccordés en parallèle, cet essai doit être effectué pour chaque chemin de courant du parafoudre en déconnectant/ interrompant tous les autres chemins de courant. Si des composants de même type et de paramètres identiques sont connectés en parallèle, ils doivent être soumis à l'essai comme un chemin de courant unique.

Tout composant à coupure de tension, dans le chemin de courant testé, connecté en série avec un composant à limitation de tension doit être court-circuité au moyen d'un fil de cuivre ou d'un élément factice d'un diamètre tel que celui-ci ne fonde pas pendant l'essai.

Le constructeur doit fournir les échantillons préparés selon les exigences ci-dessus.

#### a) Mode opératoire d'essai de parafoudres comportant uniquement des composants à limitation de tension

Les échantillons soumis à l'essai doivent être raccordés à la source d'alimentation à fréquence industrielle.

La tension doit être suffisamment élevée pour permettre à un courant de circuler à travers le parafoudre. Pour cet essai, le courant est réglé à une valeur constante. La tolérance pour le courant d'essai est de  $\pm 10\%$ . L'essai démarre à une valeur de 2 mA eff. pour le premier échantillon, ou à  $U_C$ , si le courant de fuite à  $U_C$  dépasse déjà 2 mA eff.

Cette valeur de courant est ensuite augmentée par incréments de 2 mA ou 5 % du courant d'essai précédemment réglé, en choisissant la valeur la plus élevée.

Pour les deux autres échantillons, le point de départ doit être modifié de 2 mA à un courant correspondant à 5 incréments sous la valeur du courant à laquelle la déconnexion du premier échantillon a eu lieu.

Chaque incrément est maintenu jusqu'à ce que l'équilibre thermique soit atteint (c'est-à-dire une variation de température inférieure à 2 K pendant 10 min).

La température de la surface extérieure au point le plus chaud du logement du parafoudre (pour les parafoudres accessibles uniquement) et le courant circulant dans le parafoudre sont contrôlés de façon continue.

NOTE 1 Le point le plus chaud du parafoudre peut être déterminé par un essai préliminaire ou, comme solution alternative, en mesurant la température de nombreux points pour déterminer le plus chaud.

Cet essai est arrêté si tous les composants non linéaires en essai sont déconnectés. La tension ne doit plus augmenter afin d'éviter tout dysfonctionnement du déconnecteur.

NOTE 2 En cas de doute de déconnexion de tous les composants non linéaires, il convient d'effectuer un examen visuel.

NOTE 3 Une simple fissuration des composants n'est pas considérée comme une déconnexion.

Si la tension appliquée au parafoudre descend en dessous de la valeur  $U_{REF}$  pendant l'essai, la régulation en courant est interrompue, la tension est ajustée pour revenir à  $U_{REF}$  et maintenue ainsi pendant 15 min. La surveillance permanente du courant n'est de ce fait plus nécessaire. La source doit avoir une tenue au court-circuit suffisante pour ne pas limiter le courant avant qu'un quelconque déconnecteur ne fonctionne. La valeur maximale de courant disponible ne doit pas excéder la valeur du courant de court-circuit assigné déclarée par le constructeur.

#### b) Mode opératoire d'essai de parafoudres comportant un composant à coupure de tension en série avec d'autres composants

Le parafoudre est alimenté sous une tension  $U_{REF}$  avec une source à fréquence industrielle présentant une tenue aux courants de court-circuit suffisante pour ne pas limiter le courant avant fonctionnement d'un déconnecteur. La valeur maximale de courant disponible ne doit pas excéder la valeur du courant de court-circuit assigné déclarée par le constructeur.

Si aucun courant significatif ne circule, le mode opératoire a) doit être appliqué.

NOTE 4 L'expression « aucun courant significatif » veut dire que le parafoudre n'a pas atteint son seuil de conduction (c'est-à-dire qu'il reste thermiquement stable).

#### Critères d'acceptation

Les critères d'acceptation **C, H, I, J, M** et **O** du Tableau 4 doivent s'appliquer.

En outre, pour les parafoudres utilisés en intérieur, l'échauffement de la surface ne doit pas dépasser 120 K pendant et après l'essai. Cinq minutes après déconnexion de tous les composants non linéaires soumis à l'essai l'échauffement de la surface ne doit pas dépasser 80 K.

#### 8.3.5.3 Essais de comportement vis-à-vis des courants de court-circuit

Le présent essai ne s'applique pas aux parafoudres qui sont soit

- classés pour un usage en extérieur et pour un montage hors d'atteinte, ou
- prévus uniquement pour connexion au neutre et au conducteur de protection dans les schémas TN- et/ou TT.

**Tableau 8 – Courant de court-circuit présumé et facteur de puissance**

$I_p$ (kA) $\begin{matrix} +5 \\ 0 \end{matrix}$ %	$\cos \varphi$ $\begin{matrix} 0 \\ -0,05 \end{matrix}$
$I_p \leq 1,5$	0,95
$1,5 < I_p \leq 3,0$	0,9
$3,0 < I_p \leq 4,5$	0,8
$4,5 < I_p \leq 6,0$	0,7
$6,0 < I_p \leq 10,0$	0,5
$10,0 < I_p \leq 20,0$	0,3
$20,0 < I_p \leq 50,0$	0,25
$50,0 < I_p$	0,2
NOTE Tension de rétablissement selon la CEI 60947-1.	

L'échantillon en essai doit être monté conformément aux recommandations publiées par le constructeur et raccordé avec des conducteurs de la section la plus élevée selon 8.4.2, chaque câble de connexion de l'échantillon étant maintenu à une longueur maximale de 0,5 m.

## Préparation des échantillons

Pour les parafoudres comportant des composants non linéaires connectés en parallèle, des jeux séparés de trois échantillons doivent être préparés comme décrit ci-dessous pour chaque chemin de courant du parafoudre comportant un ou plusieurs des composants non linéaires décrits en 3.1.4 et 3.1.5.

Les chemins de courant comportant des composants à coupure de tension avec fonction de déconnexion combinée, ayant une tension de tenue aux chocs supérieure ou égale à 6 kV et une tenue diélectrique supérieure ou égale à 2 500 V/50 Hz pendant 1 min dans des conditions normales d'essai, sont soumises aux essais sans aucune préparation et uniquement conjointement aux autres trajectoires de courant préparées comme décrit ci-dessous.

Les composants à limitation de tension et les composants à coupure de tension décrits en 3.1.4 et 3.1.5 doivent être remplacés par des blocs de cuivre appropriés (pièces factices), en s'assurant que les connexions internes, leurs sections ainsi que le matériau environnant (par exemple les résines) et l'emballage ne sont pas modifiés.

Des échantillons préparés conformément aux exigences ci-dessus doivent être fournis par le constructeur.

## Mode opératoire d'essai

Cet essai doit être effectué pour deux réglages d'essai différents avec un jeu séparé d'échantillons d'essai préparés pour chaque réglage a) et b):

### a) Essai à la valeur déclarée de courant de court-circuit assigné

L'échantillon est alimenté par une source de tension à fréquence industrielle à  $U_{REF}$ . Le courant de court-circuit présumé tel que déclaré par le constructeur et le facteur de puissance correspondant, tels qu'indiqués dans le Tableau 8, sont réglés aux bornes du parafoudre.

L'essai est effectué deux fois,  $U_{REF}$  étant appliquée à  $(45 \pm 5)$  degrés électriques et à  $(90 \pm 5)$  degrés électriques après passage de la tension par le zéro.

Si un déconnecteur réamorçable ou réarmable, interne ou externe, fonctionne, le déconnecteur concerné doit être réamorcé ou réarmé à chaque fois. Si le déconnecteur ne peut être réamorcé ou réarmé, l'essai est arrêté.

### Critères d'acceptation

Les critères d'acceptation **C**, **H**, **I**, **J**, **K**, **M** et **N** du Tableau 4 doivent s'appliquer.

### b) Essai à faible courant de court-circuit

Une source d'alimentation à fréquence industrielle, à  $U_{REF}$ , ayant un courant de court-circuit présumé égal à cinq fois le courant assigné de la protection maximale contre les surintensités (si déclaré par le constructeur), et un facteur de puissance selon le Tableau 8, doit être appliquée pendant  $5 \text{ s} \pm 0,5 \text{ s}$ . Si aucune protection interne contre les surintensités n'est exigée par le constructeur, il est utilisé un courant de court-circuit présumé de 300 A.

L'essai est effectué une fois à  $U_{REF}$  appliquée à  $(45 \pm 5)$  degrés électrique, après passage de la tension par zéro.

### Critères d'acceptation

Les critères d'acceptation **C**, **I**, **M** et **N** du Tableau 4 doivent s'appliquer.



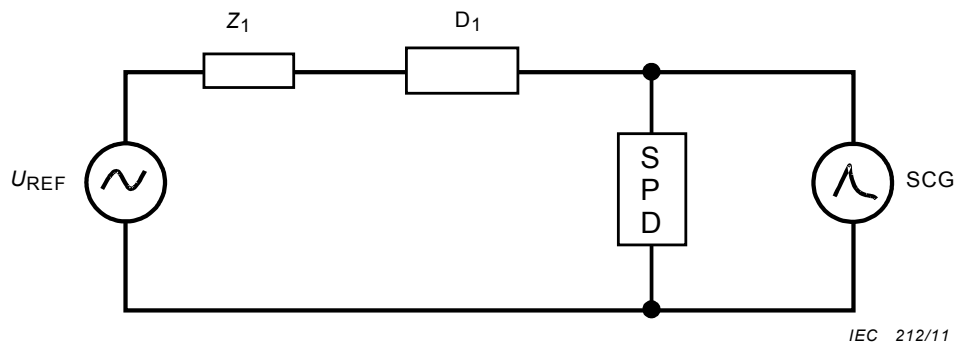
Si une déconnexion se produit pendant l'essai, les critères d'acceptation **H**, **J**, et **K** du Tableau 4 doivent être appliqués en supplément

#### **8.3.5.3.1 Essai supplémentaire pour des parafoudres ayant une valeur $I_{fi}$ inférieure à la valeur déclarée de courant de court-circuit assigné ( $I_{SCCR}$ )**

Le mode opératoire d'essai décrit en 8.3.5.3 a) est effectué mais sans la préparation de l'échantillon décrite en 8.3.5.3.

Le ou les composants à coupure de tension du parafoudre sont déclenchés par un courant de foudre positif (forme d'onde 8/20 ou autre forme d'onde appropriée) à  $(35 \pm 5)$  degrés électriques après passage de la tension par zéro sur l'alternance positive. Le courant de foudre doit être suffisamment élevé pour engendrer un courant de suite mais ne doit en aucun cas dépasser  $I_n$ .

Pour s'assurer qu'aucun déconnecteur externe ne fonctionne suite au pic de déclenchement, tous les déconnecteurs externes doivent être raccordés en série à la source d'alimentation à fréquence industrielle comme illustré à la Figure 11.



**Légende**

$Z_1$	Impédance de réglage du courant de court-circuit présumé selon le Tableau 8
$D_1$	Déconnecteur externe
SCG	Générateur de pic de courant avec dispositif de couplage

**Figure 11 – Circuit d'essai pour des parafoudres ayant une valeur  $I_{fi}$  inférieure à la valeur déclarée de courant de court-circuit assigné**

**Critères d'acceptation**

Les critères d'acceptation **C, H, I, J, K, M** et **N** du Tableau 4 doivent s'appliquer.

**8.3.5.3.2 Essai supplémentaire de simulation des modes de défaillance du parafoudre**

**Préparation des échantillons**

Pour cet essai, il est admis de déconnecter tout circuit électronique d'indicateur d'état.

De nouveaux échantillons doivent être utilisés et installés comme en usage normal, conformément aux instructions du constructeur, et connectés au moyen de conducteurs de section maximale, comme indiqué en 8.4.2. La longueur maximale des câbles de connexion de chaque échantillon doit être de 0,5 m.

Les déconnecteurs externes éventuellement recommandés par le constructeur doivent être utilisés.

**Mode opératoire d'essai**

L'échantillon d'essai doit être connecté à une source d'alimentation à fréquence industrielle, aux tensions de conditionnement suivantes:

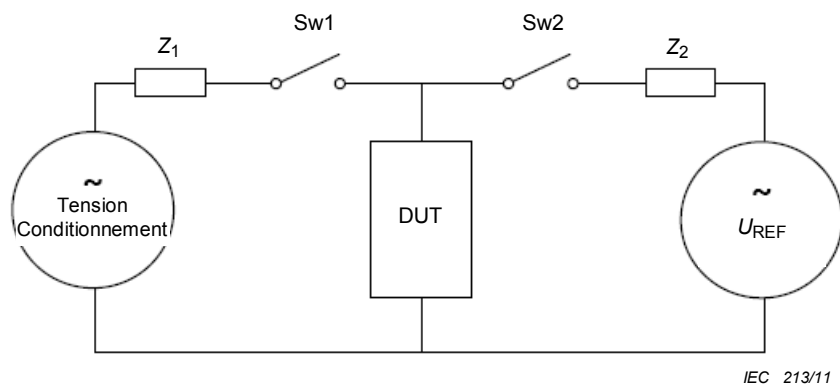
- pour les parafoudres assignée  $U_C$  allant jusqu'à 440 V, appliquer une tension égale à  $1,200 V_{eff} \begin{smallmatrix} +5 \\ 0 \end{smallmatrix} \%$ ,
- pour les parafoudres assignée  $U_C$  supérieure à 440 V, appliquer une tension égale à 3 fois  $U_C \begin{smallmatrix} +5 \\ 0 \end{smallmatrix} \%$

La tension de conditionnement est appliquée pendant 5 s  $\begin{smallmatrix} +5 \\ 0 \end{smallmatrix} \%$ . Le courant de court-circuit présumé de cette source d'alimentation pour le conditionnement doit être réglé à une valeur entre 1A et 20 A  $\begin{smallmatrix} +5 \\ 0 \end{smallmatrix} \%$ , comme indiqué par le constructeur selon 7.1.1 d5)

Après application de la tension de conditionnement, une tension égale à  $U_{REF} \begin{smallmatrix} 0 \\ -5 \end{smallmatrix} \%$  avec un courant de court-circuit tel qu'indiqué ci-dessous, doit être appliquée à l'échantillon pendant une période de  $5 \text{ min} \begin{smallmatrix} +5 \\ 0 \end{smallmatrix} \%$  ou doit être maintenue pendant au moins 0,5 s après interruption du courant par un déconnecteur interne ou externe

La transition entre la tension de conditionnement et l'application de  $U_{REF}$  doit être effectuée sans interruption. Le courant dans le parafoudre doit être surveillé. Un circuit d'essai et un chronogramme sont donnés, respectivement, à la Figure 12 et à la Figure 13.

Le courant de court-circuit présumé de la source d'alimentation à  $U_{REF}$  doit avoir une tolérance de  $\begin{smallmatrix} +5 \\ 0 \end{smallmatrix} \%$  à l'emplacement où le parafoudre est connecté. Le facteur de puissance de la source d'alimentation doit être conforme au Tableau 8.



### Légende

$Z_1$ : Impédance pour ajuster le courant de court-circuit présumé du générateur de préconditionnement

$Z_2$ : Impédance pour ajuster le courant de court-circuit présumé de  $U_{REF}$

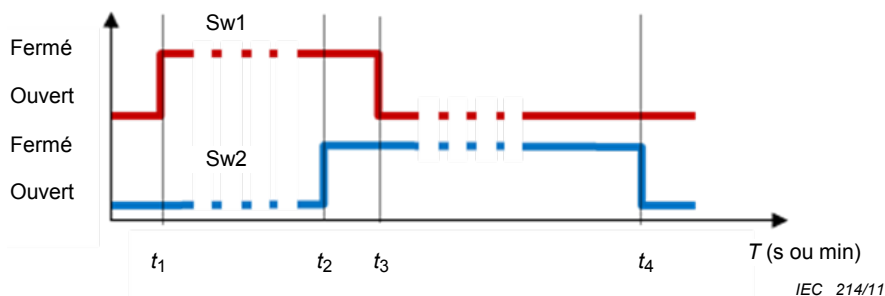
Sw1: Interrupteur mécanique ou statique pour appliquer la contrainte de préconditionnement au parafoudre

Sw2: Interrupteur mécanique ou statique pour appliquer la contrainte la tension d'essai de référence au dispositif préconditionné

Sw1 et Sw2 peuvent être mécaniques ou statiques

DUT: Dispositif en essai (Parafoudre + Déconnecteur, si applicable)

**Figure 12 – Circuit d'essai pour simulation des modes de défaillance du parafoudre**



**Légende**

- $t_1 = 0$
- $t_3 \geq t_2 \geq 5s -0\%$
- $t_2 \leq t_3 < 5 s +5\%$
- $t_4 = 5 \min \begin{matrix} +5 \\ 0 \end{matrix} \% \text{ ou. } \geq 0,5 \text{ s après interruption du courant}$

**Figure 13 – Chronogramme pour simulation des modes de défaillance du parafoudre**

Chacun des essais suivants doit être réalisé sur un nouveau jeu de trois échantillons préconditionnés comme ci-dessus, et à une tension  $U_{REF}$  avec un courant de court-circuit de 100 A, 500 A et 1 000 A, respectivement, à moins que ces valeurs ne soient supérieures à la valeur déclarée du courant de court-circuit assigné du parafoudre. La transition de l'application de la tension de conditionnement à l'application de  $U_{REF}$  doit se faire sans interruption. Le courant circulant dans le parafoudre doit être surveillé.

Un autre essai doit être réalisé sur trois échantillons préconditionnés comme ci-dessus, et à une tension  $U_{REF}$  avec un courant de court-circuit présumé égale à la valeur assignée du courant de court-circuit déclarée par le constructeur. Pour cet essai, l'intervalle de temps entre le moment où l'essai de conditionnement se termine et l'application de  $U_{REF}$  doit être aussi court que possible et ne doit pas dépasser 100 ms.

Si tous les oscillogrammes des essais sur le premier jeu d'échantillons (montage d'essai à 100 A) présentent une coupure dans les 5 s au cours de l'application de la tension de conditionnement, aucun autre essai n'est effectué.

**Critères d'acceptation**

Les critères d'acceptation **C**, **I**, **M** et **N** du Tableau 4 doivent s'appliquer. En général les critères **H** et **J** du Tableau 4 s'appliquent en supplément, sauf pour

- les parafoudres de type à court-circuit
- les parafoudres pour lesquels le courant s'interrompt pendant l'application de  $U_{ref}$

pour lesquels aucune déconnexion ne se produit.

Pour cet essai toute dégradation du circuit électronique d'indication d'état pendant l'essai de conditionnement n'est pas considérée comme un défaut.

**8.3.6 Résistance d'isolement**

Cet essai n'est pas applicable aux parafoudres comportant une enveloppe métallique raccordée à la protection de terre.

## Préparation des échantillons

Les éventuels orifices d'entrée supplémentaires des câbles sont laissés ouverts. S'il y a des parties défonçables, l'une d'entre elles est laissée ouverte. Les couvercles et autres parties amovibles sans l'aide d'outils sont retirés et soumis au même traitement à l'humidité.

## Mode opératoire d'essai

Le traitement à l'humidité est effectué dans une enceinte humide contenant de l'air d'une humidité relative maintenue  $93 \% \pm 3 \% \text{ HR}$ . En tous points où l'échantillon d'essai peut être positionné, la température de l'air ambiant est maintenue à  $\pm 2 \text{ K}$  à une valeur appropriée  $T$  comprise entre  $20 \text{ }^\circ\text{C}$  et  $30 \text{ }^\circ\text{C}$ . Avant d'être placés dans l'enceinte humide, les échantillons d'essai doivent avoir une température comprise entre  $T$  et  $(T+4)$  en  $^\circ\text{C}$ .

NOTE 1 Dans la plupart des cas, les échantillons peuvent être portés à la température requise en les maintenant à cette température pendant au moins 4 h avant le traitement à l'humidité.

Les échantillons doivent être maintenus dans l'étuve pendant deux jours (48 h).

NOTE 2 L'humidité relative exigée peut être obtenue en plaçant dans l'enceinte humide une solution saturée de sulfate de sodium ( $\text{Na}_2 \text{SO}_4$ ) ou de nitrate de potassium ( $\text{KNO}_3$ ) ayant une surface de contact avec l'air suffisamment grande.

De 30 min à 60 min après le traitement à l'humidité, une tension de 500 V en courant continu est appliquée; la résistance d'isolement est mesurée 60 s plus tard.

Cette mesure est effectuée à l'intérieur de l'enceinte humide ou dans la salle où les échantillons ont été portés à la température prescrite, après remise en place des pièces qui auraient pu être retirées.

La mesure est effectuée de la façon suivante:

- a) entre toutes les parties actives reliées entre elles et le corps du parafoudre accessible en cas de contact accidentel.

Dans cet essai, l'expression « corps » signifie

- toutes les parties métalliques accessibles et une feuille métallique appliquée sur les surfaces en matériau isolant qui sont accessibles après installation comme en usage normal;
- la surface sur laquelle est monté le parafoudre, si nécessaire, recouverte d'une feuille métallique;
- les vis et autres moyens de fixation du parafoudre sur son support.

Pour ces mesures, la feuille métallique est placée de façon à ce que la matière de remplissage éventuellement présente soit effectivement soumise à l'essai.

Les composants de protection raccordés au conducteur de protection PE peuvent être déconnectés pour cet essai.

- b) entre les parties actives du circuit principal du parafoudre et les parties sous tension des éventuels circuits isolés séparés.

## Critères d'acceptation

La résistance d'isolement ne doit pas être inférieure à

- $5 \text{ M}\Omega$  pour les mesures selon le point a),
- $2 \text{ M}\Omega$  pour les mesures selon le point b).

### 8.3.7 Rigidité diélectrique

Les parafoudres classés pour usage extérieur sont essayés entre les bornes sans les parties internes. Pendant l'essai, le parafoudre est soumis à l'aspersion selon 9.1 de la CEI 60060-1.

Les parafoudres classés pour intérieure sont essayés comme indiqué en a) et b) de 8.3.6.

Les parafoudres sont soumis aux essais sous une tension alternative conformément au Tableau 9. En partant d'au maximum la moitié de la tension alternative requise, cette tension est augmentée jusqu'à sa pleine valeur dans les 30 s et maintenue pendant 1 min.

**Tableau 9 – Rigidité diélectrique**

Tension maximale de régime permanent du parafoudre V	Tension d'essai alternative kV
$U_c \leq 100$	1,1
$100 < U_c \leq 200$	1,7
$200 < U_c \leq 450$	2,2
$450 < U_c \leq 600$	3,3
$600 < U_c \leq 1\ 200$	4,2
$1\ 200 < U_c \leq 1\ 500$	5,8

#### Critères d'acceptation

Il ne doit se produire ni formation d'arcs, ni perforation; cependant, des décharges partielles sont acceptées si les variations de tension lors de la décharge sont inférieures à 5 %.

Le transformateur utilisé pour l'essai doit être conçu de manière que, après réglage à la tension d'essai à ses bornes libres, il génère un courant de court-circuit d'au moins 200 mA après court-circuitage des bornes. L'éventuel relais à maximum de courant ne doit réagir que lorsque le courant du circuit d'essai est supérieur à 100 mA. L'appareil de mesure de la tension d'essai doit avoir une précision de  $\pm 3$  %.

### 8.3.8 Comportement vis-à-vis des surtensions temporaires (TOV)

#### 8.3.8.1 TOV résultant de défauts du réseau basse tension

Le parafoudre doit être soumis aux essais en utilisant les valeurs de tension TOV et  $U_T$  données dans les tableaux pertinents de l'Annexe B, ou les tensions TOV indiquées par le constructeur conformément à 7.1.1 c1), selon que l'une ou l'autre valeur est la plus grande.

Le Tableau B.1 doit s'appliquer à tous les parafoudres et, en fonction des informations fournies par le constructeur, comme indiqué en 7.1.1 c1), les tableaux supplémentaires de l'Article B.1 de l'Annexe B doivent également s'appliquer.

#### Mode opératoire d'essai

De nouveaux échantillons doivent être utilisés et installés comme en usage normal conformément aux instructions du constructeur.

L'échantillon d'essai doit être connecté à une tension à fréquence industrielle de  $U_{T-5}^0$  %

pendant une durée  $t_T^{+5}_0$  %.

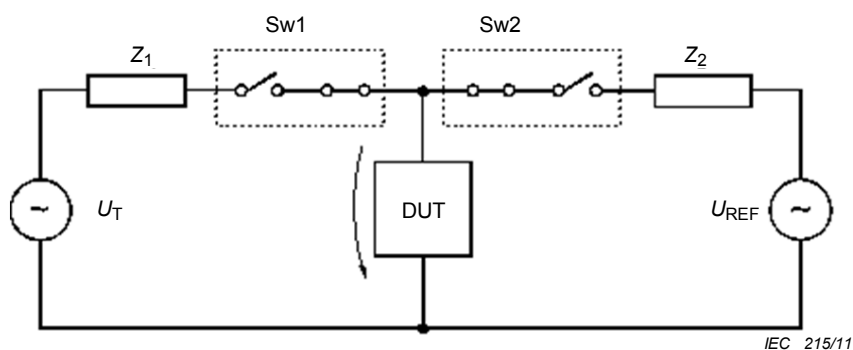
Sauf pour ce qui concerne les essais de rupture du neutre, cette source d'alimentation pour  $U_T$  doit pouvoir fournir un courant suffisamment élevé pour s'assurer que la tension aux

bornes du parafoudre ne chute pas sous  $U_T$  de plus de 5 % au cours de l'essai. Pour ces essais de rupture du neutre, cette source de tension doit pouvoir fournir un courant de court-circuit présumé de 10 A.

Immédiatement après l'application de  $U_T$ , une tension égale à  $U_{REF} \begin{smallmatrix} 0 \\ -5 \end{smallmatrix}$  % et de même tenue aux courants de court-circuit doit être appliquée à l'échantillon en essai pendant une durée de  $15 \text{ min} \begin{smallmatrix} +5 \\ 0 \end{smallmatrix}$  %.

Pour les essais de rupture du neutre, cette source d'alimentation de  $U_{REF}$  doit pouvoir fournir un courant de court-circuit présumé égal à la valeur déclarée du courant de court-circuit assigné du parafoudre.

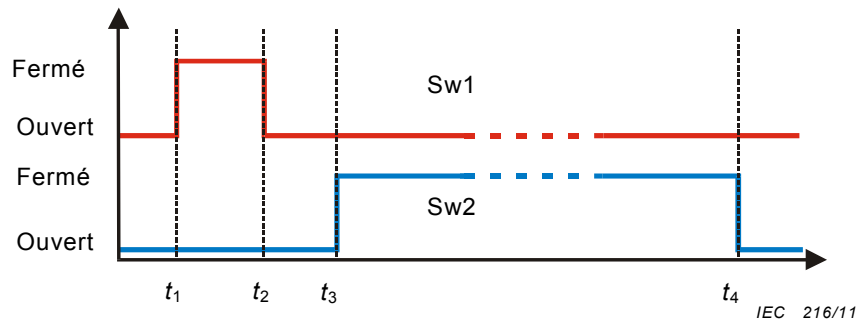
L'intervalle de temps entre les périodes d'essai doit être aussi court que possible et dans tous les cas, il ne doit pas dépasser 100 ms. Un exemple de circuit d'essai et du chronogramme correspondant pour effectuer cet essai sont donnés à la Figure 14 et à la Figure 15.



#### Légende

- $U_T$  Surtension temporaire conformément à l'Annexe B
- $U_{REF}$  Tension d'essai de référence conformément à l'Annexe A
- $Z_1$  Impédance de réglage du courant de court-circuit présumé de  $U_T$
- $Z_2$  Impédance de réglage du courant de court-circuit présumé de  $U_{REF}$
- Sw1 Interrupteur permettant d'appliquer des surtensions temporaires au parafoudre
- Sw2 Interrupteur permettant d'appliquer la tension d'essai de référence au parafoudre
- DUT: Dispositif en essai (Parafoudre + Déconnecteur, si applicable)

**Figure 14 – Exemple de circuit d'essai à des TOV résultant de défauts du réseau basse tension**



**Légende**

- $t_1 = 0$
- $t_2 = t_T +5\%_0 \%$
- $t_2 \leq t_3 < (t_2 + 100 \text{ ms}) +5\%_0 \%$
- $t_4 = t_T + 15 \text{ min} +5\%_0 \%$

**Figure 15 – Chronogramme d'essai à des TOV résultant de défauts du réseau basse tension**

**Critères d'acceptation**

a) Mode de défaillance TOV;

Les critères d'acceptation **C, H, I, J, K, L** et **M** du Tableau 4 doivent s'appliquer.

b) Mode de tenue aux TOV:

Les critères d'acceptation **A, B, C, D, E, F, G, I, L** et **M** du Tableau 4 doivent s'appliquer.

**8.3.8.2 TOV dues à des défauts du réseau haute (moyenne) tension**

Les parafoudres connectés au conducteur PE et utilisés sur des réseaux de distribution électrique doivent être soumis aux essais aux valeurs de surtension temporaire  $U_T$  données dans l'Annexe B, ou aux valeurs de surtension temporaire indiquées par le constructeur conformément à 7.1.1 c1), selon que l'une ou l'autre valeur est la plus grande.

Le Tableau B.1 doit s'appliquer à tous les parafoudres et, en fonction des informations fournies par le constructeur, comme indiqué en 7.1.1 c1), les tableaux supplémentaires de l'Article B.1 de l'Annexe B doivent également s'appliquer.

De nouveaux échantillons doivent être utilisés et installés comme en usage normal selon les instructions du constructeur, et raccordés à un circuit d'essai selon la Figure 16 ou équivalent.

**Mode opératoire d'essai**

La tension d'essai  $U_T +5\%_0 \%$  est appliquée à l'échantillon en essai et synchronisée sur la phase L1 à un angle de 90 degrés électriques par la fermeture de l'interrupteur S1.

Après la durée d'application de la surtension TOV,  $t_T +5\%_0 \%$ , l'interrupteur S2 se ferme automatiquement.



La borne PE du parafoudre est ainsi raccordée au neutre (à travers la résistance de limitation du courant R2) en court-circuitant l'enroulement secondaire du transformateur TOV (T2). Il en résulte le fonctionnement du fusible F2 protégeant le transformateur TOV.

Un exemple de circuit d'essai et du chronogramme correspondant pour effectuer cet essai sont donnés à la Figure 16 et à la Figure 17.

Des exemples supplémentaires de circuits d'essai possibles sont donnés en Annexe E.

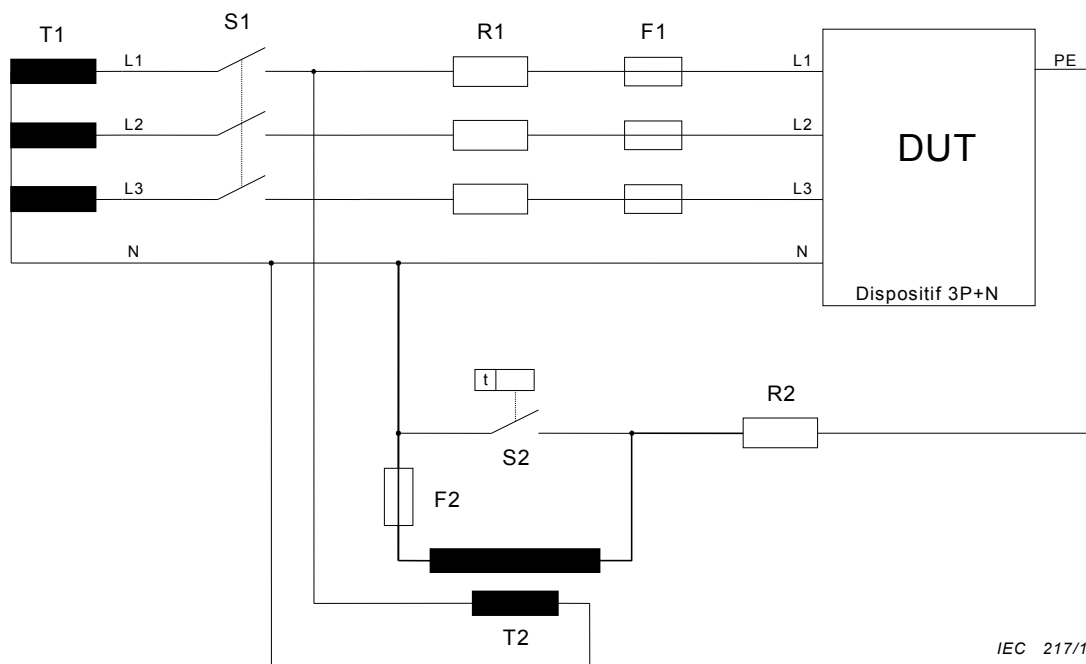
Il est admis d'utiliser d'autres circuits d'essai pour autant qu'ils assurent la même contrainte sur le parafoudre.

Le courant de court-circuit présumé de la source d'alimentation pour  $U_{REF}$  doit être égal à cinq fois le courant assigné de la protection maximale contre les surintensités déclarée par le constructeur, ou à 300 A si aucune protection maximale contre les surintensités n'est déclarée. La tolérance pour le courant est de  $^{+10}_0$  %.

Le courant de court-circuit présumé délivré par le transformateur TOV doit être réglé à:

300 A  $^{+10}_0$  % par R2.

L'échantillon en essai est maintenu alimenté sous  $U_{REF}$  sans aucune interruption pendant 15 min jusqu'à ce que l'interrupteur S1 soit réouvert, sauf dans le cas des parafoudres dont le neutre est raccordé à la terre.



**Légende**

- S1 Interrupteur principal
- S2 Interrupteur temporisé - fermeture à 200 ms après l'interrupteur principal
- F1 Protection maximale recommandée contre les surintensités selon les instructions du constructeur
- F2 Fusible de protection du transformateur TOV (doit résister à 300 A pendant 200 ms)
- T1 Transformateur d'alimentation d'une tension secondaire égale à  $U_{REF}$
- T2 Transformateur TOV d'une tension primaire égale à  $U_{REF}$  et d'une tension secondaire égale à 1 200 V
- R1 Résistance de limitation du courant permettant de régler le courant de court-circuit présumé de la source d'alimentation sous  $U_{REF}$
- R2 Résistance de limitation du courant permettant de régler le courant de court-circuit présumé du circuit TOV à 300 A (environ 4  $\Omega$ )
- DUT Dispositif en essai

**Figure 16 – Exemple de circuit pour d'essai des parafoudres pour utilisation en schémas TT à des TOV résultant de défauts du réseau haute (moyenne) tension**

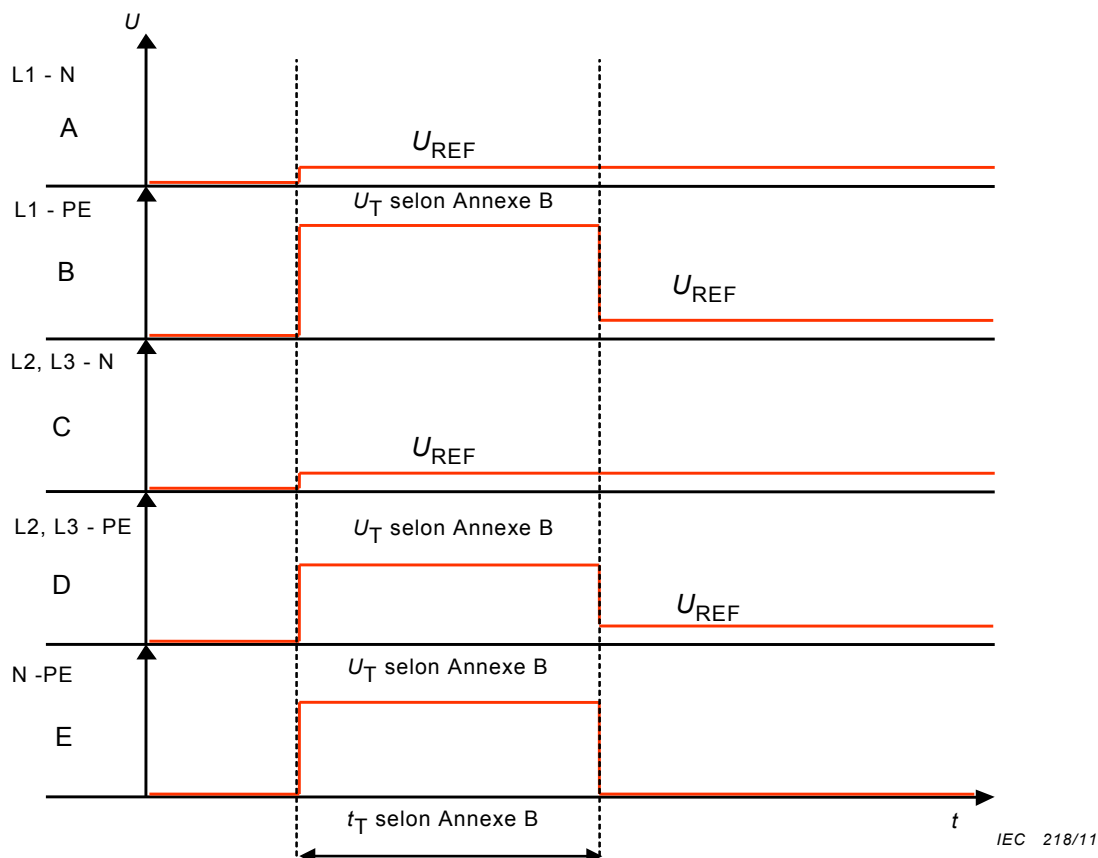


Figure 17 – Chronogramme d'essai à des TOV résultant de défauts du réseau haute (moyenne) tension lorsque le circuit de la Figure 16 est utilisé

#### Critères d'acceptation:

##### a) Mode de défaillance TOV;

Les critères d'acceptation **C, H, I, J, K, L** et **M** du Tableau 4 doivent s'appliquer.

##### b) Mode de tenue aux TOV:

Les critères d'acceptation **A, B, C, D, E, G, I, K, L** et **M** du Tableau 4 doivent s'appliquer.

## 8.4 Essais mécaniques

### 8.4.1 Fiabilité des vis, des parties conductrices et des connexions

La conformité est vérifiée par inspection et, pour les vis utilisées pour la connexion du parafoudre, par l'essai suivant:

Les vis sont serrées et desserrées

- dix fois pour les vis s'engageant dans un filetage en matériau isolant,
- cinq fois dans tous les autres cas.

Les vis ou écrous s'engageant dans un filetage en matériau isolant sont à chaque fois complètement retirées et réinsérées, sauf si la construction des vis empêche cette opération.

L'essai est réalisé au moyen d'un outil approprié (tournevis ou clé d'essai) appliquant un couple comme indiqué dans le Tableau 10 ou dans les spécifications du constructeur, en choisissant le couple le plus élevé.

Les vis ne doivent pas être serrées par à-coups.

Le conducteur est enlevé chaque fois que la vis est desserrée.

**Tableau 10 – Diamètres de filetages et couples appliqués**

Diamètre nominal du filetage mm	Couple Nm		
	I	II	III
Jusqu'à 2,8 compris	0,2	0,4	0,4
Au-dessus de 2,8 et y compris 3,0	0,25	0,5	0,5
Au-dessus de 3,0 et y compris 3,2	0,3	0,6	0,6
Au-dessus de 3,2 et y compris 3,6	0,4	0,8	0,8
Au-dessus de 3,6 et y compris 4,1	0,7	1,2	1,2
Au-dessus de 4,1 et y compris 4,7	0,8	1,8	1,8
Au-dessus de 4,7 et y compris 5,3	0,8	2,0	2,0
Au-dessus de 5,3 et y compris 6,0	1,2	2,5	3,0
Au-dessus de 6,0 et y compris 8,0	2,5	3,5	6,0
Au-dessus de 8,0 et y compris 10,0	–	4,0	10,0

La colonne I s'applique aux vis sans tête si, lorsqu'elle est serrée, la vis ne dépasse pas du trou; elle s'applique également aux autres vis qui ne peuvent pas être serrées au moyen d'un tournevis d'une largeur de lame supérieure au diamètre de la vis.

La colonne II s'applique aux autres vis serrées au moyen d'un tournevis.

La colonne III s'applique aux vis et écrous serrés par des moyens autres qu'un tournevis.

Lorsqu'une vis a une tête hexagonale à fente et que les valeurs des colonnes II et III sont différentes, l'essai est effectué deux fois, premièrement en appliquant sur la tête hexagonale le couple spécifié dans la colonne III, puis sur un autre échantillon, en appliquant le couple spécifié en colonne II au moyen d'un tournevis. Si les valeurs des colonnes II et III sont les mêmes, seul l'essai au tournevis est effectué.

### Critères d'acceptation

Pendant l'essai, les connexions vissées ne doivent pas se desserrer et il ne doit être observé aucun dommage tel que rupture des vis ou détérioration des fentes de têtes de vis, des filetages, des rondelles ou des étriers, susceptible de compromettre l'usage ultérieur du parafoudre.

Les enveloppes et couvercles ne doivent pas être endommagés. La vérification doit être effectuée par examen visuel.

#### 8.4.2 Bornes pour conducteurs extérieurs

Le parafoudre est monté conformément aux recommandations du constructeur sur un panneau en bois, peint en noir mat, d'environ 20 mm d'épaisseur et protégé contre tout échauffement ou refroidissement excessif.

Sauf spécifications contraires, les bornes du parafoudre doivent être raccordées aux conducteurs conformément

- au Tableau 11, pour les parafoudres à deux ports et les parafoudres à un port avec bornes d'entrée et de sortie séparées ou,
- aux instructions du constructeur pour les autres dispositifs à un port.

Pour les parafoudres soumis à l'essai selon la classe I et les parafoudres à un port d'un courant nominal de décharge  $\geq 5$  kA soumis à l'essai selon la classe II, la section minimale des conducteurs doit être de  $4 \text{ mm}^2$ .

#### 8.4.2.1 Bornes à vis

##### 8.4.2.1.1 Généralités

Ces essais sont effectués au moyen d'un tournevis ou d'une clef d'essai appropriée en appliquant le couple indiqué au Tableau 10.

Les bornes sont raccordées à des conducteurs en cuivre ayant les sections minimale ou maximale spécifiées en 8.4.2, massifs ou toronnés, selon le cas le plus défavorable.

Le conducteur est inséré dans la borne jusqu'à la distance minimale prescrite ou, si aucune distance n'est fixée, jusqu'à ce qu'il apparaisse de l'autre côté de la borne et dans la position la plus défavorable permettant aux brins du conducteur de s'échapper.

Les vis sont ensuite serrées à un couple égal aux deux tiers de celui indiqué dans la colonne appropriée du Tableau 10.

Chaque conducteur est ensuite soumis à une traction de la valeur (en newtons) indiquée dans le Tableau 12. La traction est exercée sans secousses pendant 1 min dans la direction des axes du logement des conducteurs.

Lors de cet essai, le conducteur ne doit pas bouger de façon perceptible dans la borne.

**Tableau 11 – Sections des conducteurs en cuivre pour des bornes à vis ou sans vis**

Courant maximal de charge permanent de parafoudres à deux ports ou à un port à des bornes d'entrées/sortie séparées <sup>a</sup>	Gamme de sections nominales à serrer (conducteur simple)	
	mm <sup>2</sup>	American Wire Gauge (calibre américain des fils)
A		
Jusqu'à 13 compris	1 à 2,5	18 à 14
Supérieur à 13 et jusqu'à 16 inclus	1 à 4	18 à 12
Supérieur à 16 et jusqu'à 25 inclus	1,5 à 6	16 à 10
Supérieur à 25 et jusqu'à 32 inclus	2,5 à 10	14 à 8
Supérieur à 32 et jusqu'à 50 inclus	4 à 16	12 à 6
Supérieur à 50 et jusqu'à 80 inclus	10 à 25	8 à 3
Supérieur à 80 et jusqu'à 100 inclus	16 à 35	6 à 2
Supérieur à 100 et jusqu'à 125 inclus	25 à 50	4 à 1

<sup>a</sup> Pour des courants jusqu'à 50 A compris, il est exigé que les bornes soient conçues pour le serrage de conducteurs massifs ainsi que de conducteurs rigides toronnés; l'usage de conducteurs souples est admis.

Toutefois, il est admis que les bornes prévues pour des conducteurs de sections de  $1 \text{ mm}^2$  à  $6 \text{ mm}^2$  ne soient conçues que pour des monoconducteurs massifs.

**8.4.2.1.2 Essai de traction de bornes à vis**

**Tableau 12 – Efforts de traction (bornes à vis)**

Section de conducteur acceptée par la borne mm <sup>2</sup>	Jusqu'à 4	Jusqu'à 6	Jusqu'à 10	Jusqu'à 16	Jusqu'à 50
Effort de traction N	50	60	80	90	100

- a) Les bornes sont connectées à des conducteurs en cuivre (massifs ou toronnés), de sections minimale ou maximale comme spécifié en 8.4.2, (en sélectionnant la section la plus défavorable) et les bornes à vis sont serrées à un couple égal à deux tiers des valeurs indiquées dans la colonne correspondante du Tableau 10. Les bornes à vis sont ensuite desserrées et la partie du conducteur qui peut avoir été affectée par la borne est vérifiée.

**Critères d'acceptation**

Les conducteurs ne doivent pas présenter de dommages excessifs ou de fils coupés.

Les conducteurs sont considérés comme endommagés s'ils présentent des marques profondes ou aiguës.

Pendant l'essai, les bornes ne doivent pas se desserrer et aucun endommagement tel que la cassure des vis ou le dommage des fentes de têtes de vis, des filetages, des rondelles ou des étriers, au point d'empêcher leur usage ultérieur, ne doit être observé.

- b) Les bornes sont connectées à un conducteur en cuivre toronné rigide conformément au Tableau 13.

Avant leur insertion dans la borne, les fils des conducteurs sont mis en forme.

Le conducteur est introduit dans la borne jusqu'à ce qu'il atteigne le fond de la borne ou qu'il ressorte du côté opposé de la borne dans la position la plus favorable à l'échappement d'un brin. La vis ou l'écrou est ensuite serré(e) à un couple égal aux deux tiers de celui indiqué dans la colonne correspondante du Tableau 10.

**Critères d'acceptation**

Après l'essai, aucun brin du conducteur ne doit avoir glissé hors de la borne du parafoudre.

**Tableau 13 – Dimensions des conducteurs**

Gamme de sections nominales à serrer mm <sup>2</sup>	Conducteur toronné
	Nombre de brins
1 à 2,5 <sup>a</sup>	7
1 à 4 <sup>a</sup>	7
1,5 à 6 <sup>a</sup>	7
2,5 à 10	7
4 à 16	7
10 à 25	7
16 à 35	19
25 à 50	A l'étude

<sup>a</sup> Si la borne est destinée au serrage de conducteurs massifs uniquement (voir note de bas de tableau du Tableau 10), l'essai n'est pas effectué.

### 8.4.2.2 Bornes sans vis

La conformité est vérifiée par les essais suivants.

Les bornes sont raccordées à des conducteurs neufs en cuivre (massifs ou toronnés), ayant les sections minimale ou maximale spécifiées en 8.4.2, (en sélectionnant la section la plus défavorable).

Chaque conducteur est ensuite soumis à un effort de traction de la valeur indiquée au Tableau 14. La traction est exercée sans secousses pendant 1 min dans la direction de l'axe du conducteur.

#### Critères d'acceptation

Lors de l'essai, le conducteur ne doit pas se déplacer dans la borne et il ne doit y avoir aucun indice de détérioration.

**Tableau 14 – Efforts de traction (bornes sans vis)**

<b>Section</b> mm <sup>2</sup>	0,5	0,75	1,0	1,25 1,5	2,0 2,5	3,5 4	5,5 6	8,0 10	14 16	22 25	35 38
<b>Force de traction</b> N	30	30	35	40	50	60	80	90	100	135	190

### 8.4.2.3 Connexions à perçage d'isolant

#### 8.4.2.3.1 Essai de traction de bornes à monoconducteurs

La conformité est vérifiée par les essais suivants:

Les bornes sont raccordées à des conducteurs neufs en cuivre (massifs ou toronnés), ayant les sections minimale ou maximale spécifiées en 8.4.2, (en sélectionnant la section la plus défavorable). Les vis éventuelles sont serrées selon le Tableau 10.

Les conducteurs sont connectés et déconnectés cinq fois, en utilisant à chaque fois des conducteurs neufs. Après chaque connexion, les conducteurs sont soumis à un effort de traction sans secousses pendant 1 min dans l'axe du conducteur, selon la valeur donnée dans le Tableau 14.

#### Critères d'acceptation

Lors de l'essai, le conducteur ne doit pas se déplacer dans la borne et il ne doit y avoir aucun signe de détérioration.

#### 8.4.2.3.2 Essai de traction de bornes pour câbles ou cordons multiconducteurs

L'essai de traction des bornes de parafoudres conçus pour des câbles ou cordons multiconducteurs est effectué comme pour les monoconducteurs, sauf que l'effort de traction est exercé sur l'ensemble du câble ou cordon multiconducteur, plutôt que sur l'âme uniquement.

L'effort de traction est calculé selon la formule suivante:

$$F = F(x) \sqrt{n}$$

où

$F$  est la force totale à appliquer;

$n$  est le nombre d'âmes de conducteurs;

$F(x)$  est la force exercée sur un brin en fonction de la section du conducteur (voir le Tableau 14).

Lors de l'essai, le câble ou cordon ne doit pas s'échapper des bornes.

#### **8.4.2.4 Bornes plates à connexion rapide**

A l'étude.

#### **8.4.2.5 Connexions par queues de cochon (conducteurs volants)**

##### **8.4.2.5.1 Essai de traction de conducteurs volants**

La conformité d'un conducteur volant incorporé, destiné à être connecté au réseau d'alimentation sur site, doit être vérifiée en effectuant les essais suivants.

Un conducteur volant et les dispositifs d'arrêt correspondants doivent supporter sans détérioration ou détachement une traction directe de 89 N, pendant une minute, appliquée au conducteur en tout angle admissible compte tenu de la construction ou de l'appareil.

#### **Critères d'acceptation**

Lors de l'essai, le conducteur ne doit pas se déplacer et il ne doit y avoir aucun signe de détérioration.

#### **8.4.3 Vérification des distances dans l'air et des lignes de fuite**

Les parafoudres pour applications domestiques et analogues doivent être conçus pour le degré de pollution 2.

Les parafoudres destinés à des applications dans des conditions d'environnement plus sévères peuvent exiger des précautions particulières, comme par exemple un boîtier de parafoudre approprié ou une enveloppe supplémentaire qui leur assurera un degré de pollution 2.

NOTE Les boîtiers de parafoudres sans ouvertures de ventilation sont considérés fournir une protection adéquate limitant suffisamment la pollution pour permettre l'application des exigences de degré de pollution 2 aux lignes de fuite internes.

Pour les parafoudres destinés à des applications en extérieur et hors d'atteinte, le degré de pollution 4 s'applique. Il est admis de réduire ces exigences au degré de pollution 3 pour les lignes de fuite internes si les parafoudres sont protégés par un boîtier approprié assurant des conditions de degré de pollution 3.

L'écart entre les électrodes d'éclateurs ne doit pas être pris en compte pour la détermination des distances dans l'air et des lignes de fuite.

#### **Critères d'acceptation**

Les lignes de fuite et les distances dans l'air ne doivent pas être inférieures aux valeurs indiquées dans le Tableau 15 et le Tableau 16.

NOTE Pour les altitudes dépassant 2 000 m, se référer à la CEI 60664-1:2007, Tableau F.2 et utiliser  $U_{\max}$  comme paramètre d'entrée pour les colonnes du cas A en conditions de champ non homogène, pour déterminer les distances dans l'air requises. Dans tous les cas, il convient que les distances minimales requises selon le Tableau 15 de la présente norme soient respectées pour des raisons mécaniques.



**Tableau 15 – Distances dans l'air pour les parafoudres**

$U_{\max}^a$	$\leq 2\,000\text{ V}$	$\leq 4\,000\text{ V}$	$>4\,000\text{ V}$ à $6\,000\text{ V}$	$>6\,000\text{ V}$ à $8\,000\text{ V}$
<b>Distances dans l'air en millimètres</b>				
1) Entre parties actives de polarité différente	1,5	3	5,5	8
2) Entre parties actives et				
– vis ou autres moyens de fixation d'un capot devant être démonté pour le montage du parafoudre	1,5	3	5,5	8
– surfaces de fixation (NOTE 2)	3	6	11	16
– vis et autres moyens de fixation du parafoudre (NOTE 2)	3	6	11	16
– corps (NOTES 1 et 2)	1,5	3	5,5	8
3) Entre parties métalliques du mécanisme du déconnecteur et				
– corps (NOTE 1)	1,5	3	5,5	8
– vis et autres moyens de fixation du parafoudre	1,5	3	5,5	8
<sup>a</sup> Cette colonne s'applique seulement pour les parafoudres avec $U_c$ inférieur ou égal à 180 V.				
NOTE 1 Pour la définition, voir 8.3.6 a)				
NOTE 2 Si les distances dans l'air entre les parties actives de l'appareil et l'écran métallique ou la surface sur laquelle le parafoudre est installé ne dépendent que de la conception du parafoudre et si elles ne peuvent pas être réduites quand le parafoudre est installé dans la position la plus défavorable (même dans une enveloppe métallique), les valeurs des lignes 1 suffisent.				

**Tableau 16 – Lignes de fuite pour les parafoudres**

Tension efficace b, c	Lignes de fuite minimales, en millimètres								
	Matériau de circuit imprimé		Degré de pollution						
	Degré de pollution		1	2			3		
	1	2		Tous groupes de matériaux <sup>a</sup>	Groupe de matériaux <sup>a</sup>		Groupe de matériaux <sup>a</sup>		
V	Tous groupes de matériaux	Tous groupes de matériaux, sauf IIIb	Tous groupes de matériaux	I	II	III	I	II	III <sup>d</sup>
10	0,025	0,04	0,08	0,4	0,4	0,4	1	1	1
12,5	0,025	0,04	0,09	0,42	4,42	4,42	1,0	1,05	1,05
16	0,025	0,04	0,1	0,45	0,45	0,45	1,1	1,1	1,1
20	0,025	0,04	0,11	0,48	0,48	0,48	1,2	1,2	1,2
25	0,025	0,04	0,125	0,5	0,5	0,5	1,2	1,25	1,25
32	0,025	0,04	0,14	0,53	0,53	0,53	1,3	1,3	1,3
40	0,025	0,04	0,16	0,56	0,8	1,1	1,4	1,6	1,8
50	0,025	0,04	0,18	0,6	0,85	1,2	1,5	1,7	1,9
63	0,04	0,063	0,2	0,63	0,9	1,25	1,6	1,8	2
80	0,063	0,1	0,22	0,67	0,95	1,3	1,7	1,9	2,1
100	0,1	0,16	0,25	0,71	1	1,4	1,8	2	2,2
125	0,16	0,25	0,28	0,75	1,05	1,5	1,9	2,1	2,4
160	0,25	0,4	0,32	0,8	1,1	1,6	2	2,2	2,5
200	0,4	0,63	0,42	1	1,4	2	2,5	2,8	3,2
250	0,56	1	0,56	1,25	1,8	2,5	3,2	3,6	4
320	0,75	1,6	0,75	1,6	2,2	3,2	4	4,5	5
400	1	2	1	2	2,8	4	5	5,6	6,3
500	1,3	2,5	1,3	2,5	3,6	5	6,3	7,1	8
630	1,8	3,2	1,8	3,2	4,5	6,3	8	9	10
800	2,4	4	2,4	4	5,6	8	10	11	12,5
1 000	3,2	5	3,2	5	7,1	10	12,5	14	16

<sup>a</sup> Pour plus d'informations sur les groupes de matériaux se reporter au Tableau 17.

<sup>b</sup> Cette tension est:  
 pour l'isolation fonctionnelle, la tension de service;  
 pour les isolations principale et supplémentaire du circuit directement alimenté par le réseau, la tension rationalisée à partir des Tableaux F.3a ou F.3b de la CEI 60664-1, en se fondant sur la tension assignée des équipements, ou la tension d'isolement assignée;  
 pour les isolations principale et supplémentaire de systèmes, équipements et circuits internes qui ne sont pas directement alimentés par le réseau, la tension efficace la plus élevée qui peut se produire dans le système, équipement ou circuit interne lorsqu'il est alimenté à la tension assignée et dans la combinaison de conditions de fonctionnement les plus contraignantes compte tenu des caractéristiques assignées des équipements.

<sup>c</sup> Pour le circuit de protection principal, cette colonne fait référence à  $U_C$ .

<sup>d</sup> Le matériau IIIb ne doit pas être utilisé pour une application de degré de pollution 3 au dessus de 630 V.

NOTE Si la tension réelle est différente des valeurs données dans le tableau, il est admis de calculer des valeurs intermédiaires par interpolation. Dans ce cas, il convient d'utiliser une interpolation linéaire et que les valeurs soient arrondies au même nombre de chiffres que les valeurs tirées du tableau.

**Tableau 17 – Rapport entre groupes de matériaux et classifications**

<b>Groupe de matériaux I</b>	<b><math>600 \leq \text{IRC}</math></b>
<b>Groupe de matériaux II</b>	<b><math>400 \leq \text{IRC} &lt; 600</math></b>
<b>Groupe de matériaux IIIa</b>	<b><math>175 \leq \text{IRC} &lt; 400</math></b>
<b>Groupe de matériaux IIIb</b>	<b><math>100 \leq \text{IRC} &lt; 175</math></b>
La relation entre les groupes de matériaux et leurs classifications est fondée sur la CEI 60112 (valeurs IRC, en utilisant la solution A).	

Les mesures sont effectuées sans conducteurs, ainsi qu'avec des conducteurs de la plus grande section indiquée par le constructeur. Il est supposé que les écrous et les vis à têtes autres que circulaires sont dans la position de serrage la plus défavorable.

S'il y a une cloison, la distance dans l'air est mesurée à travers la cloison; dans le cas où la cloison est constituée de deux parties non solidaires, la mesure est effectuée à travers l'espace de séparation. Les distances dans l'air à travers les fentes ou ouvertures ménagées dans les parties extérieures en matériau isolant sont mesurées par rapport à une feuille métallique appliquée sur la surface accessible: à cet effet la feuille n'est pas enfoncée dans les ouvertures, mais poussée dans les coins et endroits similaires à l'aide du doigt d'épreuve conformément à la CEI 60529.

Dans le cas où il y a un enfoncement le long d'une ligne de fuite, son profil n'est pris en compte que si sa largeur est d'au moins 1 mm; pour les enfoncements de moins de 1 mm, seule la largeur est prise en compte.

Dans le cas où il y a une cloison constituée de deux parties non collées l'une à l'autre, la ligne de fuite est mesurée à travers l'espace de séparation. Si la distance dans l'air entre une partie active et une cloison ayant des surfaces ajustées est inférieure à 1 mm, on ne tient compte que de la distance à travers la surface de séparation qui est alors considérée comme une ligne de fuite. Dans le cas contraire, la distance totale, c'est-à-dire la somme de la distance entre la partie active et la cloison, et la distance à travers la surface de séparation, est considérée être la distance dans l'air. Si des parties métalliques sont recouvertes d'une résine auto-durcissante d'au moins 2 mm d'épaisseur ou si elles sont recouvertes d'un matériau isolant supportant une tension d'essai selon 8.3.7, les lignes de fuite et distances dans l'air ne sont pas nécessaires.

La matière d'enrobage ou la résine ne doit pas dépasser le bord de la cavité; elle doit adhérer fortement aux parois de la cavité et aux parties métalliques qu'elle contient.

L'essai correspondant consiste à examiner la cavité et à essayer de séparer la matière d'enrobage ou la résine sans utiliser d'outillage.

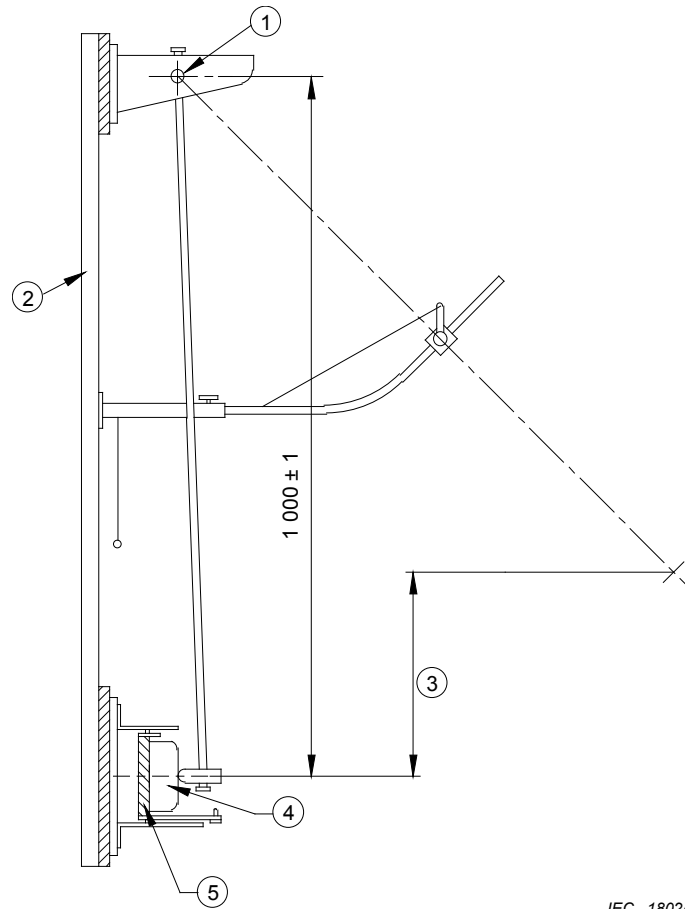
#### **8.4.4 Résistance mécanique**

##### **8.4.4.1 Essai de choc**

Les parafoudres doivent avoir une résistance mécanique suffisante pour supporter les contraintes imposées lors de l'installation et en cours d'utilisation.

La conformité est vérifiée par les essais appropriés suivants.

Les échantillons sont soumis à des impacts au moyen d'un appareil d'essai de choc tel que celui représenté à la Figure 18 et à la Figure 19.



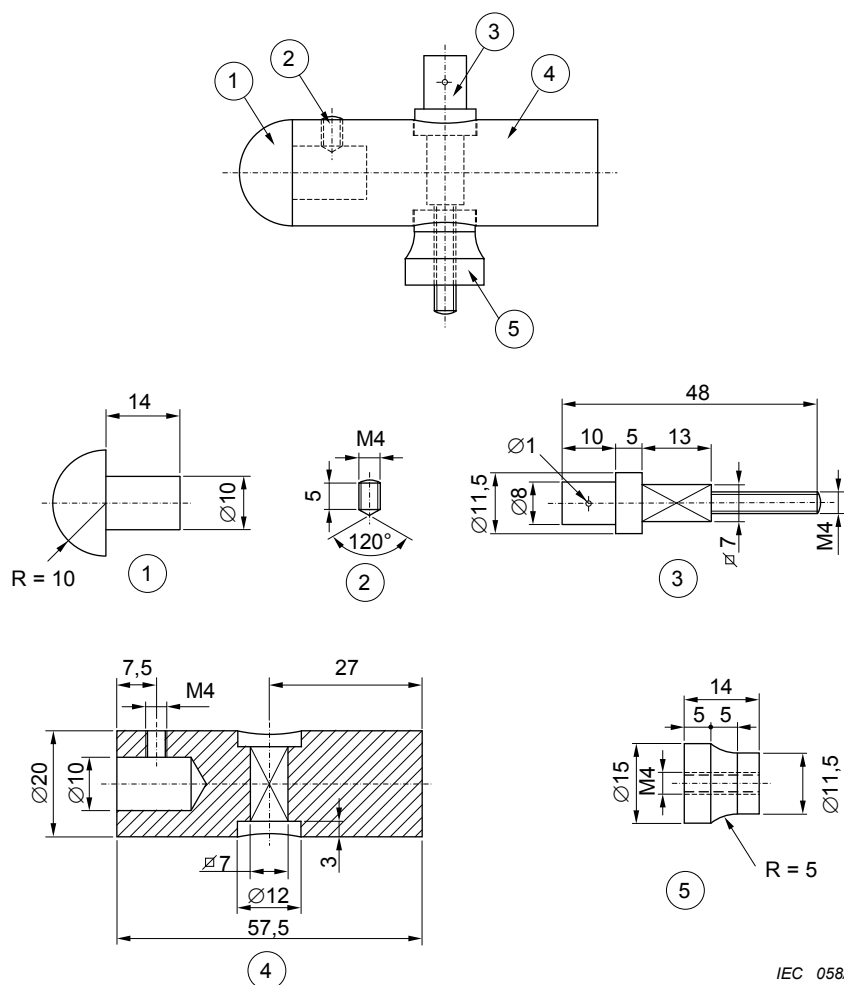
IEC 1802/01

*Dimensions en millimètres*

**Légende**

- 1 Pendule
- 2 Cadre
- 3 Hauteur de chute
- 4 Echantillon
- 5 Dispositif de montage

**Figure 18 – Appareil d'essai de choc**



IEC 058/09

Dimensions en millimètres

**Légende:**

1 Polyamide

2, 3, 4, 5 Acier Fe 360

**Figure 19 – Pièce de frappe du marteau pendulaire**

La pièce de frappe a une face hémisphérique, un rayon de 10 mm, en polyamide, d'une dureté Rockwell de HR 100 et une masse de  $150 \text{ g} \pm 1 \text{ g}$ .

Elle est fixée rigidement à l'extrémité inférieure d'un tube d'acier de 9 mm de diamètre extérieur et de 0,5 mm d'épaisseur de paroi, pivotant à son extrémité supérieure de façon à ne se balancer que dans un plan vertical.

L'axe du pivot se trouve à  $1\,000 \text{ mm} \pm 1 \text{ mm}$  au-dessus de l'axe de la pièce de frappe.

La dureté Rockwell de la pièce de frappe en polyamide est déterminée en utilisant une bille de  $12,700 \text{ mm} \pm 0,0025 \text{ mm}$  de diamètre, la charge initiale étant de  $100 \text{ N} \pm 2 \text{ N}$  et la surcharge de  $500 \text{ N} \pm 2,5 \text{ N}$ .

NOTE Des renseignements complémentaires concernant la détermination de la dureté Rockwell des matières plastiques sont fournis dans l'ISO 2039-2.

La conception de l'appareil est telle qu'une force comprise entre 1,9 N et 2,0 N doit être appliquée sur la face de la pièce de frappe pour maintenir le tube en position horizontale.

Les échantillons sont fixés sur un carré de contreplaqué de 8 mm d'épaisseur et de 175 mm de côté, le contreplaqué étant fixé, par ses arêtes supérieures et inférieures, à un cadre rigide qui fait partie du support.

Les parafoudres mobiles sont essayés comme les parafoudres fixes, mais ils sont assujettis au panneau de contreplaqué par des moyens annexes.

Le support doit avoir une masse de 10 kg ± 1 kg et doit être monté sur un châssis rigide.

Le mode de fixation est tel que

- l'échantillon puisse être placé de façon que le point d'impact se trouve dans un plan vertical de l'axe du pivot,
- l'échantillon puisse être déplacé horizontalement et puisse tourner autour d'un axe perpendiculaire à la surface du contreplaqué,
- le contreplaqué puisse être tourné autour d'un axe vertical.

Les parafoudres pour montage encastré sont placés dans un logement aménagé dans un bloc de bois de charme ou d'une matière ayant les mêmes caractéristiques mécaniques, fixé au contreplaqué. (Ils ne sont pas soumis à l'essai dans leurs boîtes de montage.)

Si du bois est utilisé pour le bloc, la direction des fibres de bois doit être perpendiculaire à la direction de l'impact.

Les parafoudres pour montage encastré à fixation à vis doivent être fixés aux tenons logés dans le bloc de bois de charme au moyen de vis. Les parafoudres pour montage encastré à fixation à griffes doivent être fixés au bloc de bois de charme au moyen de griffes.

Avant d'appliquer les impacts, les vis de fixation des embases et des capots sont serrées à un couple égal aux deux tiers de celui spécifié au Tableau 10.

Les échantillons sont montés de façon que le point d'impact se trouve dans le plan vertical de l'axe du pivot.

La hauteur de chute de la pièce de frappe est indiquée au Tableau 18 ci-après.

**Tableau 18 – Distances de chute exigées pour les essais de choc**

Hauteur de chute mm	Parties de l'enveloppe soumises au choc	
	Eléments ordinaires	Autres éléments
100	A et B	A et B
150	C	C
200	D	D

A: parties de la face avant, y compris les parties en retrait.  
 B: parties ne dépassant pas de plus de 15 mm de la surface de montage (distance du mur) après installation comme en usage normal, à l'exception des parties A ci-dessus.  
 C: parties dépassant de plus de 15 mm mais de moins de 25 mm de la surface de montage (distance du mur) après installation comme en usage normal, à l'exception des parties A ci-dessus.  
 D: parties dépassant de plus de 25 mm de la surface de montage (distance du mur) après installation comme en usage normal, à l'exception des parties A ci-dessus.

La hauteur de chute, déterminée par la partie de l'échantillon qui dépasse le plus de la surface de montage, est appliquée sur toutes les parties de l'échantillon, à l'exception des parties A.

La hauteur de chute est la distance verticale entre la position d'un point de repère au moment où le pendule est libéré et la position de ce même point au moment du choc. Ce point est repéré sur la surface de la pièce de frappe à l'emplacement où la ligne passant par le point d'intersection des axes du tube d'acier du pendule et de la pièce de frappe, perpendiculairement au plan passant par les deux axes, rencontre la surface.

Les impacts sont également répartis sur la surface des échantillons. Les impacts ne sont pas appliqués aux zones défonçables.

Les impacts suivants sont appliqués:

- pour les parties A, cinq impacts: un impact au centre. Après avoir déplacé l'échantillon horizontalement: un impact en chacun des points les plus défavorables entre le centre et les côtés, et un impact en des points similaires après rotation de l'échantillon à 90° autour d'un axe perpendiculaire au contreplaqué;
- pour les parties B (pour autant que cela soit applicable), C et D, quatre impacts:
  - un impact sur un côté de l'échantillon après rotation du panneau de contreplaqué à 60° et un impact sur un autre côté de l'échantillon après rotation de l'échantillon à 90° autour de son axe perpendiculaire au panneau de contreplaqué, la position du panneau de contreplaqué demeurant inchangée;
  - un impact sur chacun des deux autres côtés de l'échantillon, après rotation du panneau de contreplaqué de 60° dans la direction opposée.

### **Critères d'acceptation**

Après l'essai, l'échantillon ne doit pas présenter de détérioration au sens de la présente norme. En particulier, les parties sous tension ne doivent pas devenir accessibles au doigt d'épreuve normalisé.

Une détérioration de l'état de surface, de petites ébréchures qui ne réduisent pas les lignes de fuite ou les distances dans l'air et de petits éclats qui ne mettent pas en cause la protection contre les chocs électriques ou les effets nuisibles dus à la pénétration de l'eau ne sont pas retenus.

Les craquelures qui ne sont pas visibles par une vue normale ou corrigée sans grossissement supplémentaire et les craquelures superficielles dans les pièces moulées renforcées au moyen de fibres et d'autres pièces analogues ne sont pas retenues.

## **8.5 Essais d'environnement et essais des matériaux**

### **8.5.1 Résistance à la pénétration d'objets solides et aux effets nuisibles de la pénétration de l'eau**

Les essais doivent être effectués conformément à la CEI 60529 afin de vérifier le code IP.

### **8.5.2 Résistance à la chaleur**

Le parafoudre est maintenu dans une armoire chauffée à une température de 100 °C ± 2 K pendant 1 h.

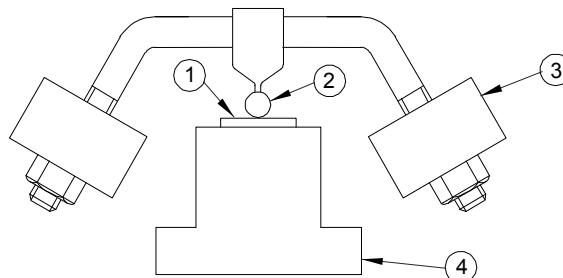
### **Critères d'acceptation**

Les critères d'acceptation **C** et **I** du Tableau 4, ainsi que les critères d'acceptation supplémentaires définis ci-dessous s'appliquent:

- il ne doit pas y avoir de coulure du produit d'étanchéité (y compris le produit d'enrobage) utilisé pour l'assemblage interne qui puisse créer un dysfonctionnement du parafoudre;
- le parafoudre est considéré comme satisfaisant à l'essai même si un déconnecteur s'est ouvert.

### 8.5.3 Essai à la bille

Les parties extérieures des parafoudres réalisées en matériau isolant sont soumises à un essai de pression à la bille au moyen d'un appareil tel que celui représenté à la Figure 20 et à la Figure 21.

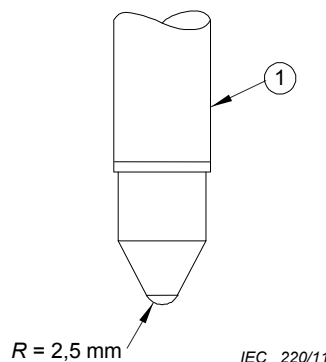


IEC 219/11

#### Légende

- 1 Echantillon en essai
- 2 Bille
- 3 Masse
- 4 Support de l'échantillon

**Figure 20 – Appareil d'essai à la bille**



IEC 220/11

#### Légende

- 1 Tige d'appui

**Figure 21 – Tige d'appui pour l'appareil d'essai à la bille**

Les parties en matériau isolant nécessaires pour maintenir en place à la fois les pièces conductrices et celles du circuit de terre sont soumises à l'essai dans une étuve à une température de  $125\text{ °C} \pm 2\text{ K}$ .

Les parties en matériau isolant qui ne sont pas nécessaires au maintien en place des pièces conductrices et celles du circuit de terre, même si elles sont en contact avec elles, sont soumises à l'essai à  $70\text{ °C} \pm 2\text{ K}$ .

L'échantillon à essayer est fixé en conséquence, sa surface étant disposée horizontalement; une bille d'acier de 5 mm de diamètre est appliquée contre cette surface avec une force de 20 N.



Au bout d'1 h, la bille d'acier est retirée de l'échantillon qui est alors refroidi en 10 s environ à la température ambiante par immersion dans de l'eau froide.

### **Critères d'acceptation**

Le diamètre de l'empreinte due à la bille est mesuré; il ne doit pas dépasser 2 mm.

NOTE Les parties en céramique ne sont pas soumises à cet essai.

### **8.5.4 Résistance à une chaleur anormale et au feu**

L'essai au fil incandescent est effectué conformément aux Articles 4 à 10 de la CEI 60695-2-11, dans les conditions suivantes:

- pour les pièces extérieures des parafoudres réalisées en matériau isolant, nécessaires au maintien en place des pièces conductrices, ainsi qu'au maintien en place de celles du circuit de protection, en effectuant l'essai à une température de  $850\text{ °C} \pm 15\text{ K}$ ;
- pour les autres pièces extérieures en matériau isolant, en effectuant l'essai à une température de  $650\text{ °C} \pm 10\text{ K}$ .

L'essai n'est pas effectué sur des pièces en céramique ainsi que sur des pièces de dimensions inférieures à celles définies en 3.1 de la CEI 60695-2-11.

Si les parties isolantes sont du même matériau, l'essai est effectué sur une seule de ces parties à la température appropriée de l'essai au fil incandescent.

L'essai au fil incandescent est effectué pour s'assurer qu'un fil d'essai chauffé électriquement dans des conditions d'essai définies n'entraîne pas l'inflammation des parties isolantes, ou pour s'assurer qu'une partie du matériau isolant qui aurait pu être enflammée par le fil d'essai chauffé dans des conditions définies ne brûle que pendant un temps limité sans propager le feu par flamme, parties incandescentes ou gouttelettes tombant de la pièce à l'essai.

L'essai est effectué sur un échantillon.

En cas de doute, l'essai est répété sur deux échantillons supplémentaires.

L'essai est effectué en appliquant le fil incandescent une fois.

Pendant l'essai, l'échantillon doit être disposé dans la position la plus défavorable susceptible d'apparaître en utilisation normale (la surface soumise à l'essai étant en position verticale).

L'extrémité du fil incandescent doit être appliquée sur la surface spécifiée de l'échantillon en tenant compte des conditions d'utilisation prévues, dans lesquelles un élément chauffé ou incandescent peut entrer en contact avec l'échantillon.

### **Critères d'acceptation**

L'échantillon est considéré comme ayant satisfait à l'essai au fil incandescent:

- s'il n'apparaît aucune flamme visible et aucune incandescence prolongée, ou
- si les flammes et l'incandescence de l'échantillon disparaissent dans les 30 s qui suivent le retrait du fil incandescent.

Le papier de soie ne doit pas s'enflammer et la planche ne doit pas être roussie.

### **8.5.5 Résistance au cheminement**

L'essai est effectué conformément à la CEI 60112, solution A, à une tension d'essai choisie en fonction des lignes de fuite mesurées et du groupe de matériaux requis conformément à 8.4.3.

## 8.6 Essais supplémentaires pour des conceptions de parafoudres spécifiques

### 8.6.1 Essais des parafoudres à deux ports et un port avec bornes d'entrée/sortie séparées

#### 8.6.1.1 Courant de charge assigné ( $I_L$ )

Le parafoudre doit être alimenté en tension  $U_c$   $^{0}_{-5}$  % à température ambiante, au moyen d'un câble ayant une section nominale telle que spécifiée dans le Tableau 19. L'essai doit être réalisé sous un courant de charge assigné circulant dans une résistance de charge, jusqu'à ce que la stabilité thermique soit atteinte. Il n'est pas admis d'effectuer un refroidissement supplémentaire du parafoudre.

**Tableau 19 – Conducteurs pour l'essai de courant de charge assigné**

Courant d'essai [A]		Section	
Supérieur à	Inférieur ou égal à	[mm <sup>2</sup> ]	AWG/MCM
0	8	1,0	18
8	12	1,5	16
12	15	2,5	14
15	20	2,5	12
20	25	4,0	10
25	32	6,0	10
32	50	10	8
50	65	16	6
65	85	25	4
85	100	35	3
100	115	35	2
115	130	50	1
130	150	50	0
150	175	70	00
175	200	95	000
200	225	95	0000
225	250	120	250
250	275	150	300
275	300	185	350
300	350	185	400
350	400	240	500

NOTE Si d'autres sections normalisées sont utilisées dans certains pays, la section supérieure la plus proche pourra être utilisée pour les essais.

#### Critères d'acceptation

Les critères d'acceptation **C**, **F** et **G** du Tableau 4, ainsi que les critères d'acceptation supplémentaires définis ci-dessous s'appliquent.

Lors de l'essai, l'échauffement des surfaces accessibles en usage normal ne doit pas dépasser les valeurs décrites dans l'Annexe G.

### 8.6.1.2 Comportement en surcharge

L'essai est effectué à température ambiante et l'échantillon doit être protégé contre les échauffements ou refroidissements externes anormaux.

Le circuit et le mode opératoire d'essai doivent être tels que décrits en 8.6.1.1, à l'exception du fait que les circuits autres que le circuit principal ne sont pas pris en compte dans l'essai.

L'essai est réalisé sans qu'aucun déconnecteur externe ne soit raccordé (les dispositifs internes démontables de protection contre les surintensités sont remplacés par une jarretière d'impédance négligeable).

Si une valeur maximale de protection contre les surintensités est spécifiée par le constructeur, le parafoudre doit être chargé pendant 1 h avec un courant égal à  $k$  fois cette valeur maximale de protection contre les surintensités. Le facteur  $k$  est choisi à partir du Tableau 20.

**Tableau 20 – Facteur de courant  $k$  pour l'essai de comportement en surcharge**

Dispositif de protection	Facteur de courant de déclenchement $k$
Disjoncteur	1,45
Fusible	1,6

NOTE 1 Si le type de dispositif de protection (disjoncteur ou fusible) n'est pas spécifié par le constructeur, l'essai sera effectué au facteur  $k$  le plus élevé.

NOTE 2 Pour les pays utilisant d'autres valeurs, il est recommandé que ces dernières soient déclarées sur la fiche technique du parafoudre, conformément à 7.1.1 c7).

NOTE 3 Conditions nationales pour le Japon:  $k$  est de 1,25 pour un disjoncteur et de 1,5 pour un fusible.

NOTE 4 Conditions nationales pour l'Amérique du Nord: le facteur  $k$  correspondant est à l'étude.

Si aucune protection maximale contre les surintensités n'est spécifiée par le constructeur, le parafoudre doit être chargé à raison de 1,1 fois le courant de charge assigné pendant une heure ou jusqu'au fonctionnement d'un déconnecteur interne. Si aucun déconnecteur ne fonctionne dans le délai d'une heure, l'essai est poursuivi en augmentant toutes les heures la valeur du courant d'essai précédente d'un facteur de 1,1 jusqu'à fonctionnement d'un déconnecteur interne.

#### Critères d'acceptation

a) Un quelconque des déconnecteurs internes a fonctionné:

Les critères d'acceptation **C, H, I, J** et **M** du Tableau 4 doivent s'appliquer.

b) Aucun déconnecteur interne n'a fonctionné:

Les critères d'acceptation **C, D, E**, et **I** du Tableau 4 doivent s'appliquer.

Par ailleurs, lors de l'essai, l'échauffement des surfaces accessibles en usage normal ne doit pas dépasser les valeurs décrites dans l'Annexe G.

### 8.6.1.3 Essai de comportement vis-à-vis des courants de court-circuit aval

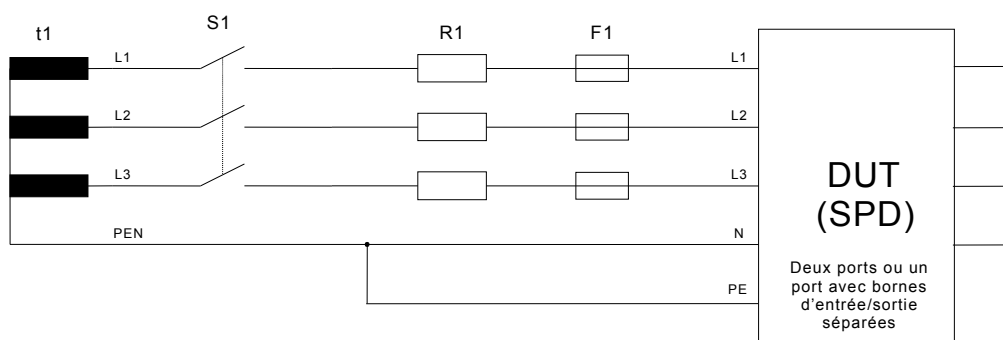
Le présent essai s'applique à tous les parafoudres, à l'exception de ceux qui sont classés pour utilisation extérieure et montés hors d'atteinte, ainsi que ceux qui sont connectés en N-PE pour utilisation en schémas TN et/ou TT uniquement.

Les réglages d'essai et le mode opératoire sont décrits en 8.3.5.3 (à l'exception de 8.3.5.3.1); ils sont répétés sans court-circuiter un quelconque composant, mais en établissant une jarretière de court-circuit connectée, le cas échéant, à l'une des bornes de sortie suivantes du parafoudre:

- jarretière de court-circuit entre toutes les bornes de phase et la borne de neutre (le cas échéant) du côté charge (aval),
- jarretière de court-circuit entre toutes les bornes du côté charge,

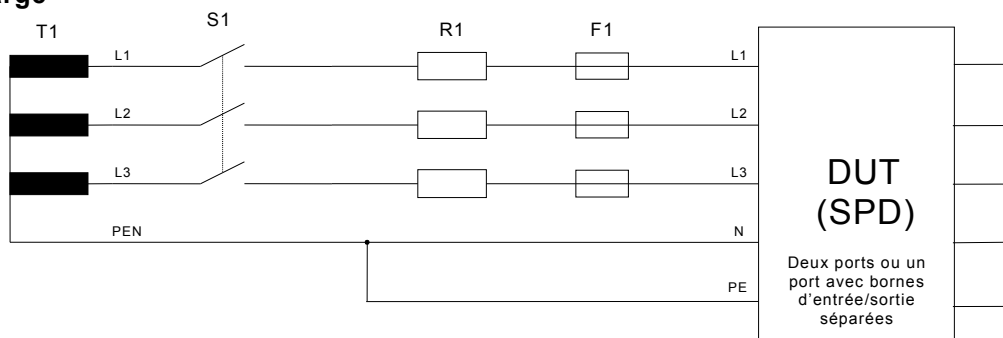
au moyen de conducteurs de la section maximale spécifiée en 8.4.2, d'une longueur de 500 mm chacun.

Un exemple de circuits d'essai appropriés est donné à la Figure 22.



IEC 221/11

**a) Essai avec toutes les bornes de phase et la borne de neutre court-circuitée du côté charge**



IEC 222/11

**b) Essai avec toutes les bornes court-circuitées du côté charge**

**Légende**

- |     |   |
|-----|---|
| S1  | Interrupteur principal d'amorçage synchronisé du court-circuit  |
| F1  | Tous les déconnecteurs exigés par le constructeur, y compris le dispositif de protection maximal contre les surintensités recommandé, conformément aux instructions du constructeur |
| T1  | Transformateur d'alimentation avec une tension secondaire égale à $U_{REF}$   |
| R1  | Résistance de limitation du courant pour réglage du courant de court-circuit présumé de la source d'alimentation  |
| DUT | Dispositif en essai   |

**Figure 22 – Exemples appropriés de circuits d'essai de court-circuit du côté charge**

**Critères d'acceptation**

Les critères d'acceptation **C, E, H, I, J, K, M** et **N** du Tableau 4 ainsi que les critères d'acceptation supplémentaires définis ci-dessous doivent s'appliquer.

a) Le(s) déconnecteur(s) interne(s) a(ont) fonctionné:

- Après avoir retiré les jarretières de court-circuit des bornes de sortie et  $U_{REF}$  étant appliquée conformément au circuit représenté à la Figure 22, il n'y a aucune tension aux bornes de sortie.
- Une tension à fréquence industrielle égale à deux fois  $U_C$  étant appliquée entre toutes les bornes de phases d'entrée et de sortie correspondantes pendant 1 min, il ne doit y avoir aucune circulation de courant supérieure à 0,5 mA.

b) Aucun déconnecteur interne n'a fonctionné:

- Les critères d'acceptation **D** du Tableau 4 doivent s'appliquer.

## 8.6.2 Essais d'environnement des parafoudres installés à l'extérieur

Voir l'Annexe F informative.

### 8.6.3 Parafoudres à circuits isolés séparés

L'isolation et la tenue diélectrique des circuits séparés doit faire l'objet d'essais en se fondant sur la déclaration du constructeur et conformément au 8.3.6 et au 8.3.7.

### 8.6.4 SPD de type à court-circuit

Pour ces parafoudres, un conditionnement de mise en court-circuit volontaire, conformément au 8.6.4.1, est effectué; il est suivi d'un essai de tenue aux chocs conformément au 8.6.4.2 et d'un essai de comportement vis-à-vis des courants de court-circuit conformément au 8.6.4.3.

#### 8.6.4.1 Procédure de modification des caractéristiques (conditionnement)

Un choc de valeur  $I_{trans}$ , de polarité positive, est appliqué au parafoudre non alimenté afin de modifier ses caractéristiques en générant un court-circuit interne. Afin de vérifier le court-circuit interne, il doit être effectué une mesure appropriée après cet essai.

#### 8.6.4.2 Essai de tenue aux chocs (à l'état court-circuité)

Un choc de valeur  $I_{trans}$  de polarité positive est appliqué au parafoudre non alimenté.

#### Critères d'acceptation

Les critères d'acceptation **C**, **I** et **M** du Tableau 4 doivent s'appliquer.

#### 8.6.4.3 Essai de comportement vis-à-vis des courants de court-circuit (à l'état court-circuité)

#### Réglages d'essai

L'essai est effectué conformément à 8.3.5.3, à l'exclusion de 8.3.5.3.1 et 8.3.5.3.2, mais sans aucune préparation de l'échantillon.

#### Critères d'acceptation

Les critères d'acceptation **C**, **H**, **I**, **J**, **K**, **M** et **N** du Tableau 4 doivent s'appliquer.

## 8.7 Essais supplémentaires de performances spécifiques éventuellement déclarées par le constructeur

### 8.7.1 Essai de courant total de décharge pour des parafoudres multipôles

#### Réglages d'essai

Une extrémité du générateur d'essai est raccordée à la borne PE ou PEN du parafoudre multipôle. Chacune des bornes restantes du parafoudre est raccordée à l'autre extrémité du

générateur par le biais d'une série d'impédances types constituées d'une résistance de 30 mΩ et d'une inductance de 25μH.

NOTE 1 Ces impédances simulent la connexion au réseau d'alimentation et il convient que leurs valeurs ne soient pas augmentées par le système de mesure, par exemple par des shunts.

NOTE 2 Cette configuration d'essai ne représente pas toutes les configurations de systèmes. Des schémas ou applications particuliers peuvent nécessiter d'autres modes opératoires.

Des impédances de plus faibles valeurs peuvent être utilisées si les tolérances de chocs de courant proportionnels (voir le Tableau 21) sont satisfaites.

NOTE 3 Le choc de courant proportionnel est le courant total de décharge divisé par N, où N représente le nombre de bornes sous tension (phases et neutre).

**Tableau 21 – Tolérances de chocs de courant proportionnels**

Classes d'essai	Courants proportionnels et tolérances
Classe d'essai I	$I_{imp(1)} = I_{imp(2)} = I_{imp(N)} = I_{Total(imp)} / N \quad 10 \%$ $Q_{(1)} = Q_{(2)} = Q_{(N)} = Q_{Total} / N \quad -10/+20 \%$ $W/R_{(1)} = W/R_{(2)} = W/R_{(N)} = W/R_{Total} / N^2 \quad -10/+45 \%$
Classe d'essai II	$I_{8/20(1)} = I_{8/20(2)} = I_{8/20(N)} = I_{Total(8/20)} / N \quad \pm 10\%$

**Mode opératoire d'essai**

Le parafoudre multipôle doit être soumis à l'essai une fois au courant total de décharge  $I_{Total}$  déclaré par le constructeur.

**Critères d'acceptation**

Les critères d'acceptation **B, C, D, E, G, I** et **M** du Tableau 4 doivent s'appliquer.

**8.7.2 Essai de détermination de la chute de tension**

Une tension  $U_c$  est appliquée au port d'entrée et doit être constante à -5%. L'essai doit être réalisé sous un courant de charge assigné circulant dans une résistance de charge. La mesure des tensions d'entrée et de sortie doit être effectuée simultanément et en charge. La formule suivante est utilisée pour déterminer la chute de tension.

$$\Delta U \% = ((U_{in} - U_{out}) / U_{in}) 100 \%$$

où

$U_{in}$  est la tension d'entrée et  $U_{out}$  la tension de sortie, mesurées de manière simultanée, lorsque toute la charge résistive assignée est connectée. Ce paramètre n'est utilisé que pour les parafoudres à deux ports

D'autres techniques de mesure sont admises à condition qu'elles permettent d'obtenir des résultats comparables.

**Critères d'acceptation**

Cette valeur doit être enregistrée et correspondre à la déclaration du constructeur.

**8.7.3 Capacité de tenue aux chocs aval**

Pour cet essai:

- 15 chocs de courant 8/20, ou
- 15 ondes de choc combinées à une tension en circuit ouvert  $U_{oc}$

d'une valeur égale à la capacité de tenue aux chocs aval déclarée par le constructeur, sont appliqués en trois groupes de cinq chocs sur le port de sortie de l'échantillon d'essai. Le

parafoudre est alimenté à  $U_C$  au moyen d'une source de tension d'une intensité nominale d'au moins 5 A. Chaque choc doit être synchronisé sur la fréquence industrielle. En partant de  $0^\circ$ , l'angle de synchronisation doit être augmenté par incréments de  $(30 \pm 5)^\circ$ .

L'intervalle entre les chocs est de 50 s à 60 s et l'intervalle entre les groupes de chocs est de 30 min à 35 min.

L'échantillon doit être alimenté pendant toute la séquence d'essai. La tension sur les bornes de sortie doit être enregistrée.

### **Critères d'acceptation**

Les critères d'acceptation **A**, **B**, **C**, **D**, **E**, **F** et **G** du Tableau 4 doivent s'appliquer.

#### **8.7.4 Mesure du taux de croissance de la tension $du/dt$**

Cet essai est effectué sur un parafoudre à deux ports non alimenté, terminé par une charge résistive qui pourrait donner un courant égal à 0,1 fois le courant de charge assigné  $I_L$  à la tension de référence  $U_{REF}$ . Un générateur d'ondes combinées satisfaisant aux exigences de 8.1.4 est connecté aux bornes d'entrée du dispositif à deux ports.

NOTE 1 Aucune source à fréquence industrielle n'est appliquée au parafoudre pendant l'essai.

Le générateur est réglé à une tension  $U_{OC}$  de 6 kV, assurant ainsi une vitesse de croissance de la tension en circuit ouvert  $du/dt$  d'environ 5 kV/ $\mu$ s. Un oscilloscope à mémoire est connecté aux bornes de sortie du parafoudre à deux ports et la forme d'onde résultante est enregistrée lorsque le choc d'essai est appliqué.

La vitesse maximale de croissance de la tension  $du/dt$  est déterminée en mesurant la différence de tension et de durée entre les points  $t_{90}$  et  $t_{30}$  sur le front montant de la forme d'onde résultante.

NOTE 2  $t_{90}$  et  $t_{30}$  sont les points à 90 % et 30 % du front avant de la forme d'onde.

Afin de tenir compte des éventuelles suroscillations sur le front d'onde, il convient d'effectuer cet essai cinq fois et d'enregistrer la tension maximale  $du/dt$  correspondante.

### **Critères d'acceptation**

La vitesse maximale de croissance de la tension doit être enregistrée et doit être conforme à la déclaration du constructeur.

## **9 Essais de série et de réception**

### **9.1 Essais individuels**

Un ou plusieurs essais appropriés sont effectués en cours de production afin de vérifier que le parafoudre est en mesure de satisfaire à ses performances. Le constructeur doit déclarer la ou les méthodes d'essai.

### **9.2 Essais de réception**

Les essais de réception sont réalisés après accord entre le constructeur et l'acheteur. Si l'acheteur définit des essais d'acceptation dans le contrat d'achat, les essais suivants doivent être effectués sur le nombre entier situé immédiatement en dessous de la racine cubique du nombre de parafoudres à fournir. Tout changement dans la fourniture, en nombre ou types, doit être négocié entre le constructeur et l'acheteur.

Sauf spécification contraire, les essais suivants sont reconnus comme essais de réception:

- a) la vérification de l'identification par inspection (voir 8.2);
- b) la vérification du marquage par inspection selon (voir 8.2);
- c) la vérification des paramètres électriques (par exemple, la tension de limitation mesurée selon 8.3.3).

.....



## **Annexe A** (normative)

### **Tensions d'essai de référence des parafoudres $U_{REF}$**

La tension d'essai de référence  $U_{REF}$  dépend de l'utilisation prévue du parafoudre dans un réseau de distribution d'énergie basse tension, conformément aux instructions d'installation fournies par le constructeur:

- schéma de liaison à la terre (TN, TT, IT)
- raccordement prévu (phase-neutre, phase-terre, neutre-terre, entre phases)
- tension nominale du réseau alternatif et valeur maximale des fluctuations de tension du réseau.

Tableau A.1 – Valeurs de la tension d'essai de référence

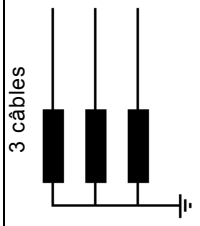
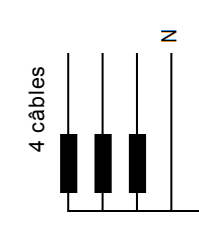
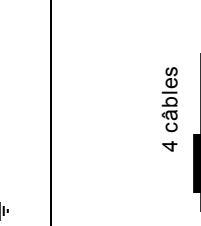
Schéma de distribution électrique	Tension nominale du réseau alternatif L-PE / L-L V	Valeur maximale des fluctuations de tension du réseau +(%)	Tension d'essai de référence $U_{REF}$ V (selon les modes de protection)			
			L-N (PEN)	L-PE	L-L	N-PE
Système triphasé TT sans PE ni neutre distribué 	230 / 400	10	---	255	440	---
Système triphasé TT avec neutre distribué 	230 / 400	10	255	255	440	255
Système triphasé TN-C avec PEN distribué 	230 / 400	10	255	255	440	---

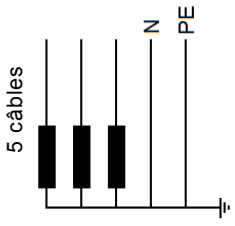
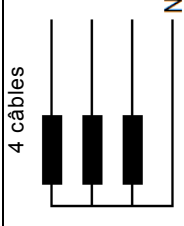

Schéma de distribution électrique	Tension nominale du réseau alternatif L-PE / L-L V	Valeur maximale des fluctuations de tension du réseau + (%)	Tension d'essai de référence $U_{REF}$ (selon les modes de protection) V			
			L-N (PEN)	L-PE	L-L	N-PE
Système triphasé TN-S Avec PE et neutre distribué 	230 / 400	10	255	440	255	
	240 / 415	6	255	440	255	
	120 / 208	10	132	230	50	
Système triphasé IT avec neutre distribué 	277 / 480	10	305	530	115	
Système triphasé IT sans neutre distribué 	230 / 400	10	440	255		
	230	10	255	255	---	


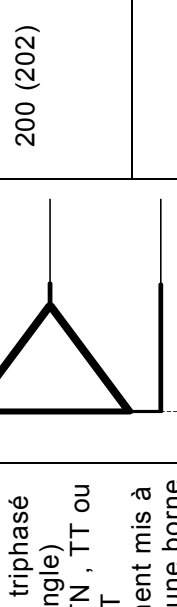
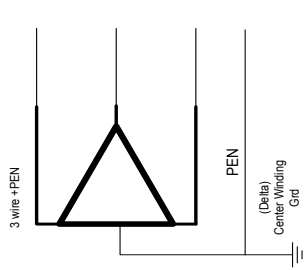
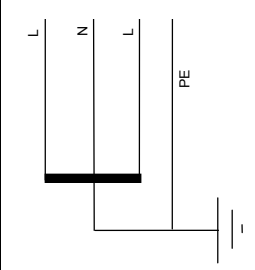
Schéma de distribution électrique	Tension nominale du réseau alternatif L-PE / L-L V	Valeur maximale des fluctuations de tension du réseau + (%)	Tension d'essai de référence $U_{REF}$ (selon les modes de protection) V			
			L-N (PEN)	L-PE	L-L	N-PE
Système monophasé TN-S 	230	10	255	255	---	255
	120		132	132	---	132
Système triphasé (Triangle) schéma TN, TT ou IT Enroulement mis à la terre à une borne 	230	10	---	264	---	---
	200 (202)		264	222	222	---
	460		528	528	---	---

Schéma de distribution électrique	Tension nominale du réseau alternatif L-PE / L-L V	Valeur maximale des fluctuations de tension du réseau + (%)	Tension d'essai de référence $U_{REF}$ (selon les modes de protection) V			
			L-N (PEN)	L-PE	L-L	N-PE
Système triphasé (Triangle) Entoulement à point milieu mis à la terre 	230	10	132	264	264	---
	200 (202)		---	129 192	222	
	460		---	528	528	
Système biphasé en schéma TN 	120 / 240	10	132	132	264	132

NOTE Des valeurs plus élevées des fluctuations de la tension du réseau peuvent être requises pour certaines applications (par exemple + 15%), elles seront sujettes à un accord particulier entre le constructeur et l'utilisateur.

## Annexe B (normative)

### Valeurs assignées de TOV

La méthode d'essai dépend de l'utilisation du parafoudre dans un réseau de distribution basse tension conformément aux instructions d'installation déclarées par le constructeur.

Pour les réseaux définis dans la série CEI 60364, les valeurs sont indiquées ci-dessous dans le Tableau B.1.

**Tableau B.1 – Valeur d'essai de TOV pour des réseaux conformes à la série CEI 60364**

Application	Paramètres d'essais de TOV		
Parafoudres connectés entre:	Pour $t_T=5$ s (Défauts dans l'installation BT du client) (exigence en 7.2.8.1 et essai en 8.3.8.1)	Pour $t_T=120$ s (Défauts dans réseau de distribution BT et rupture du neutre) (exigence en 7.2.8.1 et essai en 8.3.8.1)	Pour $t_T=200$ ms (Défauts dans réseau HT) (exigence en 7.2.8.2 et essai en 8.3.8.2)
	Mode de tenue exigé	Mode de tenue ou défaillance en sécurité acceptable	Mode de tenue ou défaillance en sécurité acceptable
<b>Valeurs d'essai de TOV à <math>U_T</math> (V)</b>			
<b>Schéma TN</b>			
L-(PE)N ou L-N	$1,32 \times U_{REF}$	$\sqrt{3} \times U_{REF}$	
N-PE			
L-L			
<b>Schéma TT</b>			
L-PE	$\sqrt{3} \times U_{REF}$	$1,32 \times U_{REF}$	$1\ 200 + U_{REF}$
L-N	$1,32 \times U_{REF}$	$\sqrt{3} \times U_{REF}$	
N-PE			1 200
L-L			
<b>Schéma IT</b>			
L-PE			$1\ 200 + U_{REF}$
L-N	$1,32 \times U_{REF}$	$\sqrt{3} \times U_{REF}$	
N-PE			$1\ 200 + U_{REF}$
L-L			
$U_{REF}$	tension d'essai de référence utilisée pour les essais et tenant compte de la valeur maximale des fluctuations de tension du réseau (voir l'Annexe A).		
$U_0$	dans des systèmes TN et TT: valeur nominale de la tension alternative efficace de ligne à la terre; dans des systèmes IT: valeur nominale de la tension alternative entre le conducteur de phase et le conducteur neutre ou le conducteur de point milieu, selon le cas (voir 442.1.2 de la CEI 60364-4-44:2007).		
1,32 x	$U_{REF}$ est égale à $1,45 \times U_0$ si les fluctuations de tension ne dépassent pas +10 % (voir 442.5 de la CEI 60364-4-44:2007).		
NOTE Sachant que les fluctuations de tension du réseau dépassent 10 % dans certains pays, la valeur $U_{REF}$ est utilisée dans la présente norme pour application générale uniquement. Pour plus d'informations sur la régulation en tension, voir la CEI 60038.			

## B.1 Exigences particulières des réseaux de distribution

Certains pays exigent des valeurs et des durées d'essai TOV supplémentaires comme indiqué ci-après.

Pour des applications spécifiques et dans des conditions différentes de celles indiquées dans le Tableau B.1 et autres que les exigences particulières relatives au réseau de distribution, comme décrit ci-après, les valeurs d'essai TOV à  $U_T$  et la durée des essais peuvent être définis par accord entre le constructeur et l'utilisateur, en fonction des configurations et conditions réelles des réseaux. Les valeurs de  $U_T$  et la(les) durée(s) correspondante(s) doivent être déclarées sur la fiche technique du parafoudre conformément à 7.1.1 c1).

Les valeurs applicables au réseau nord-américain sont données dans le Tableau B.2 ci-dessous.

### Tableau B.2 – Paramètres d'essai TOV pour les réseaux nord-américains

Les valeurs correspondantes sont à l'étude.

.....

Les valeurs applicables au réseau japonais sont indiquées dans le Tableau B.3 ci-dessous.

**Tableau B.3 – Paramètres d'essai TOV pour les réseaux japonais**

Application	Paramètres d'essais de TOV			
	Défauts du réseau BT	Défauts du réseau HT		
Parafoudres connectés à:	pour $t_T=120$ min	Durée non spécifiée	pour $t_T=2$ s	pour $t_T=1$ s
	(Défauts dans réseau de distribution BT et rupture du neutre) (exigence en 7.2.8.1 et essai en 8.3.8.1)	Mode de tenue ou de défaillance en sécurité acceptable		
<b>Valeurs d'essai de TOV à <math>U_T</math> [V]</b>				
<b>Schéma TN</b>				
L-N(PE) ou L-N connectés	$\sqrt{3} \times U_{REF}$			
N-PE connectés				
L-L connectés				
<b>Schéma TT</b>				
L-PE connectés	$\sqrt{3} \times U_{REF}$	$150 + U_{REF}$	$300 + U_{REF}$	$600 + U_{REF}$
L-N connectés	$\sqrt{3} \times U_{REF}$			
N-PE connectés		150	300	600
L-L connectés				
<b>Schéma IT</b>				
L-PE connectés				$1\ 200 + U_{REF}$
L-N connectés	$\sqrt{3} \times U_{REF}$			
N-PE connectés				$1\ 200 + U_{REF}$
L-L connectés				
$U_{REF}$	tension d'essai de référence utilisée pour les essais et tenant compte de la valeur maximale des fluctuations de tension du réseau (voir Annexe A).			
NOTE 1 Ces valeurs sont exigées par décret du ministère de la normalisation et des installations électriques.				
NOTE 2 Sachant que les fluctuations de tension du réseau dépassent 10 % dans certains pays, la valeur $U_{REF}$ est utilisée dans la présente norme pour application générale uniquement. Pour plus d'informations sur la régulation en tension, voir la CEI 60038.				



## Annexe C (normative)

### Essais de détermination de la présence d'un composant de coupure et de l'amplitude du courant de suite

Il convient que le constructeur effectue ces essais pour fournir les informations exigées en 7.1.1 d1) et/ou 7.1.1 d2).

#### C.1 Essai de détermination de la présence d'un composant de coupure (crowbar)

Cet essai doit être uniquement effectué si la conception interne du parafoudre n'est pas connue. Un nouvel échantillon doit être utilisé uniquement pour cet essai.

Le courant de choc normalisé 8/20 est utilisé pour les essais de classe I et de classe II des parafoudres à une valeur de crête selon  $I_n$  ou  $I_{imp}$  comme déclaré par le constructeur. Pour les essais de classe III des parafoudres, un générateur d'ondes combinées doit être utilisé à la tension  $U_{oc}$  déclarée par le constructeur.

Une tension de choc doit être appliquée au parafoudre (si le parafoudre comporte deux ports, le choc doit être appliqué sur les ports d'entrée et de sortie.)

La tension dans le parafoudre doit être enregistrée à l'oscilloscope (si le parafoudre comporte deux ports, la tension doit être mesurée à la borne d'entrée).

Si la forme d'onde de la tension enregistrée présente une chute brutale, le parafoudre est considéré comme comportant un composant de coupure (crowbar).

#### C.2 Essai de détermination de l'amplitude du courant de suite

Cet essai est destiné à déterminer si la valeur de crête du courant de suite est supérieure ou inférieure à 500 A.

Si la conception interne et la valeur de crête du courant de suite du parafoudre sont connues, cet essai préliminaire n'est pas exigé.

- a) L'essai doit être effectué sur un échantillon d'essai séparé.
- b) Le courant de court-circuit présumé doit être  $I_p = 1,5$  kA avec un facteur de puissance  $\cos \varphi = 0,95_{-0,05}^0$ .
- c) Le parafoudre est connecté à une source de tension alternative à fréquence industrielle de forme d'onde sinusoïdale. La tension à fréquence industrielle mesurée aux bornes doit être la tension maximale de régime permanent  $U_C$   $_{-5}^0$  %. La fréquence de cette source de tension alternative doit correspondre à la fréquence assignée du parafoudre.
- d) Le courant de suite doit être généré par un choc de courant 8/20 ou par une onde combinée.
- e) La valeur de crête doit correspondre à  $I_n$ ,  $I_{imp}$  ou  $U_{oc}$ .
- f) Le choc de courant doit être appliqué à 60 degrés électriques avant la crête de la tension à fréquence industrielle. Sa polarité doit coïncider avec celle de la demi-sinusoïde de la tension à fréquence industrielle dont elle est issue.

- g) Si, à ce point de synchronisation, aucun courant de suite n'apparaît, le courant de choc 8/20 doit ensuite être appliqué par incréments de 10 degrés électriques afin de déterminer si un courant de suite est généré.

## **Annexe D** (normative)

### **Programme d'essais réduits**

Nombre d'échantillons à soumettre et de séquences d'essai à appliquer pour la vérification de la conformité.

Pour les produits déjà soumis aux essais conformément à la CEI 61643-1:2005, il est admis d'appliquer le programme d'essai simplifié conformément au Tableau D.1.

Pour des produits nouveaux, des essais de type complets et des échantillons prélevés conformément à l'Article 7 et au Tableau 3 sont exigés.

**Tableau D.1 – Mode opératoire d'essais réduits pour des parafoudres conformes à la CEI 61643-1:2005**

Séquence d'essai	Description de l'essai	Paragraphe	Essai requis
<b>1</b>	Identification et marquage	7.1.1/7.1.2/8.2	Oui
	Montage	7.3.1	Non
	Bornes et connexions	7.3.2/7.3.3/8.4.2	Non
	Essai de protection contre les contacts directs	7.2.1/8.3.1	Non
	Environnement, code IP	7.4.1/8.5.1	Non
	Courant résiduel	7.2.2/8.3.2	Oui
	Essai de fonctionnement	7.2.4/8.3.4	Non
	Essai de fonctionnement pour les classes d'essai I, II et III	8.3.4.2 / 8.3.4.3/ 8.3.4.5	Non
	Essai de fonctionnement supplémentaire pour la classe d'essai I	8.3.4.4	Non
	Stabilité thermique	7.2.5.2 / 8.3.5.2	Oui
	Distances dans l'air et lignes de fuite	7.3.4/8.4.3	Oui
	Essai à la bille	7.4.2 / 8.5.3	Non
	Résistance à une chaleur anormale et au feu	7.4.3/8.5.4	Non
	Résistance au cheminement	7.4.4/8.5.5	Non
<b>2</b>	Niveau de protection en tension	7.2.3/8.3.3	Non
	Tension résiduelle	8.3.3.1	Non
	Tension d'amorçage sur le front d'onde	8.3.3.2	Non
	Tension de limitation avec onde combinée	8.3.3.3	Non
<b>2a</b>	Voir ci-dessous - si applicable uniquement		
<b>2b</b>	Voir ci-dessous - si applicable uniquement		
<b>3</b>	Résistance d'isolement	7.2.6 / 8.3.6	Non
	Rigidité diélectrique	7.2.7/8.3.7	Non
<b>3a</b>	Voir ci-dessous - si applicable uniquement		
	Résistance mécanique	7.3.5/8.4.4	Non
	Tenue en température	7.2.5/8.3.5.1	Non
<b>3b</b>	Voir ci-dessous - si applicable uniquement		
<b>3c</b>	Voir ci-dessous - si applicable uniquement		
<b>4<sup>c</sup></b>	Résistance à la chaleur	7.4.2/8.5.2	Non
	Essais de TOV	7.2.8/8.3.8	Oui
	TOV résultant de défauts du réseau basse tension	7.2.8.1 / 8.3.8.1	Oui
	TOV résultant de défauts du réseau haute tension	7.2.8.2 / 8.3.8.2	Oui
<b>5<sup>c</sup></b>	Essais de comportement vis-à-vis des courants de court-circuit	7.2.5/8.3.5.3	Oui

Séquence d'essai	Description de l'essai	Paragraphe	Essai requis
<b>3c<sup>c</sup></b>	Courant de charge assigné	7.5.1.1/8.6.1.1	Oui
	Comportement en surcharge	7.5.1.2/8.6.1.2	Oui
<b>2b</b>	Comportement vis-à-vis des courants de court-circuit aval	7.5.1.3/8.6.1.3	Oui
<b>3b</b>	Chute de tension	7.6.2.1/8.7.2	Non
<b>2a<sup>c</sup></b>	Tenue aux chocs aval	7.6.2.2/8.7.3	Oui
<b>6</b>	Essai de courant total de décharge pour des parafoudres multipôles	7.6.1.1/8.7.1	Oui
<b>7</b>	Pour des parafoudres classés « extérieur »	7.5.2 / 8.6.2	Oui
<b>3a</b>	Isolement entre des circuits séparés	7.5.3 / 8.3.6 / 8.3.7	Non
<b>8</b>	Procédure de modification des caractéristiques (préconditionnement à l'état court-circuité)	7.5.4/8.6.4	Oui
	Essai de tenue aux chocs (à l'état court-circuité)	7.5.4/8.6.4	Oui
	Essai de comportement vis-à-vis des courants de court-circuit (à l'état court-circuité)	7.5.4/8.6.4	Oui
<b>c</b>	Pour cette séquence d'essai plus d'un ensemble d'échantillons peut-être être nécessaires		

## Annexe E (informative)

### Autres circuits d'essai des parafoudres à des surtensions temporaires (TOV) résultant de défauts du réseau haute (moyenne) tension

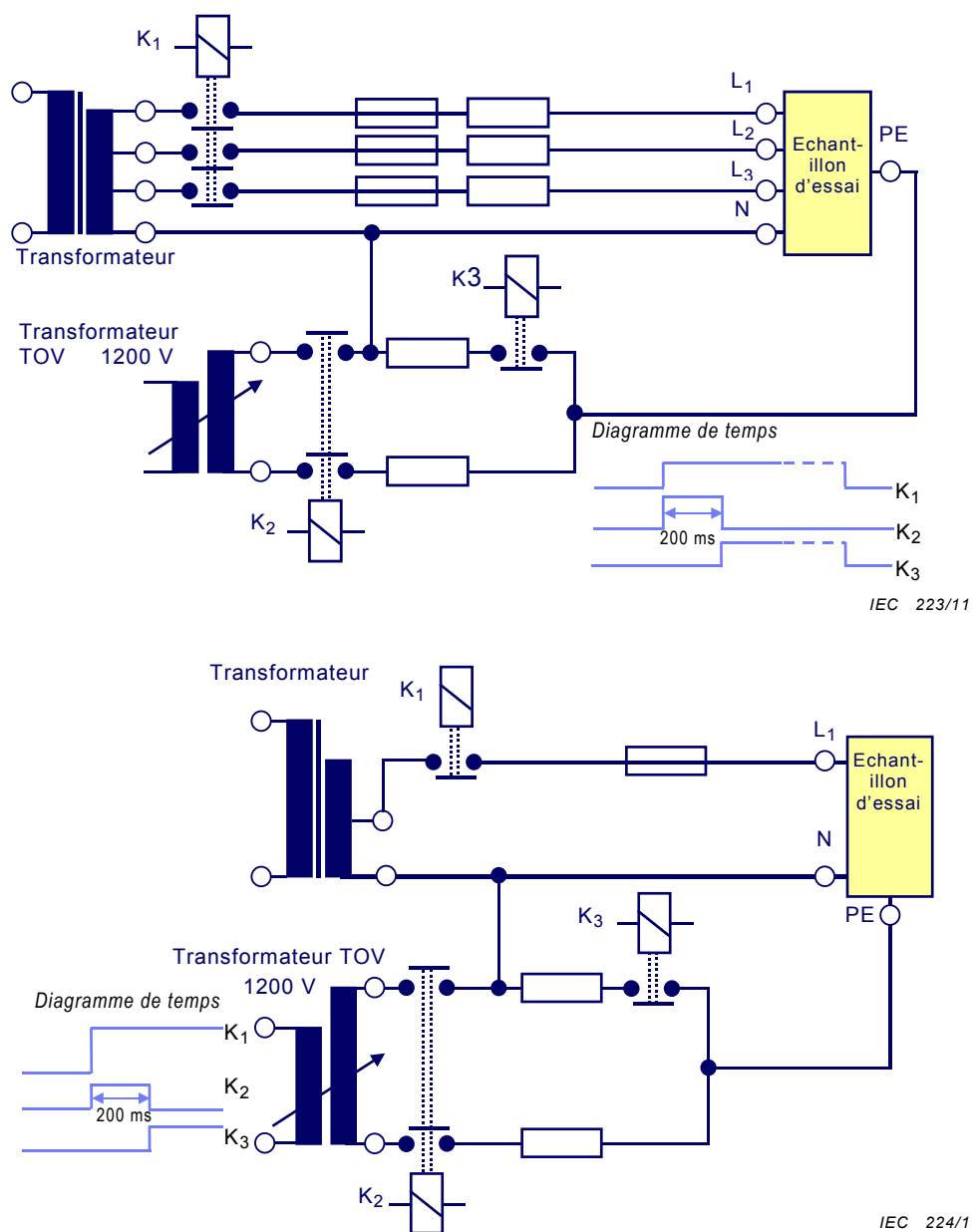


Figure E.1 – Exemples d'un circuit triphasé et monophasé d'essai de parafoudres à des TOV résultant de défauts du réseau haute (moyenne) tension

## Annexe F (informative)

### Essais d'environnement de parafoudres installés à l'extérieur

#### F.1 Essai de vieillissement accéléré par exposition au rayonnement UV

Exposer trois parafoudres complets, en configuration installation extérieure, à 1 000 h de rayonnement UV (UV-B) et d'aspersion d'eau de la manière suivante: 500 cycles de 120 min chacun, comportant 102 min de lumière UV à 60 °C, 18 min de lumière UV et de pulvérisation d'eau à 65 °C et 65 % d'humidité relative. Le rayonnement UV doit être conforme à la méthode A de l'ISO 4892-2. L'ISO 4892-1 doit être utilisée comme lignes directrices générales de réalisation des essais.

Au cours de l'essai, les échantillons sont connectés à la source d'alimentation à  $U_C$  et le courant résiduel doit être surveillé à 120 min d'intervalle. Une fois l'essai terminé, les échantillons doivent être vérifiés conformément à F.2. Après l'essai d'immersion dans l'eau, les échantillons doivent être soumis à l'essai diélectrique (voir F.3).

#### Critères d'acceptation

Pendant et après l'essai, les échantillons doivent être examinés visuellement afin de déceler les éventuels vides, fissures, cheminements et érosions de surface. Les valeurs de courant résiduel ne doivent pas augmenter de plus de 10 %. Le degré de cheminement, l'érosion de surface et la fissuration doivent être évalués afin de déterminer s'ils risquent de compromettre l'enveloppe du produit et sa conformité aux autres exigences de performances électriques et mécaniques établies dans la présente norme.

#### F.2 Essai d'immersion dans l'eau

L'essai est effectué conformément à la Figure 8 de la CEI 60099-4. Les échantillons d'essai doivent rester immergés pendant 42 h dans un récipient contenant de l'eau déminéralisée en ébullition, additionnée de 1 kg/m<sup>3</sup> de NaCl.

NOTE 1 Les caractéristiques de l'eau décrites ci-dessus sont celles mesurées en début d'essai.

NOTE 2 Cette température (eau en ébullition) peut être réduite à 80 °C (avec une durée minimale de 168 h, une semaine par exemple) si le constructeur déclare que le matériau du système d'étanchéité utilisé est incapable de résister à la température d'ébullition pendant 42 h.

À l'issue de l'ébullition, le parafoudre doit rester dans le récipient jusqu'à ce que l'eau se soit refroidie à environ 20 °C ( $\pm 15$  °C) et il doit être maintenu dans l'eau à cette température jusqu'à ce que les essais de vérification soient effectués.

#### F.3 Essai diélectrique

Les échantillons d'essai doivent être soumis à un essai diélectrique, à la tension sinusoïdale, à fréquence industrielle de 1 000 V plus deux fois la tension d'essai de référence  $U_{REF}$  pendant 1 min; le courant de fuite doit être ensuite mesuré. La tension d'essai doit être appliquée comme suit:

##### a) Parafoudre à boîtier métallique, avec ou sans console de montage

La tension doit être appliquée entre toutes les bornes ou conducteurs externes qui ne sont pas raccordés au boîtier en interne – soit directement soit par l'intermédiaire de composants de protection contre les surtensions reliés ensemble – et le boîtier métallique. Si toutes les bornes et conducteurs externes sont connectés directement ou par l'intermédiaire de composants au boîtier conducteur, cet essai n'est pas effectué.

**b) Parafoudre à boîtier non conducteur, avec console de montage non conductrice ou sans console de montage**

Le boîtier non conducteur doit être étroitement enveloppé dans une feuille en matériau conducteur, à une distance de 15 mm de tout fil ou borne non isolée. La tension doit être appliquée entre la feuille conductrice et l'ensemble des bornes ou fils extérieurs reliés ensemble.

**c) Parafoudre à boîtier non conducteur avec console de montage métallique**

Le boîtier non conducteur doit être étroitement enveloppé dans une feuille en métal conducteur, à une distance de 15 mm de tout fil ou borne non isolée et de la console de montage métallique. La tension doit être appliquée entre la feuille conductrice et l'ensemble des bornes, fils extérieurs et consoles de montage reliés ensemble.

NOTE L'essai diélectrique a pour objectif de déterminer s'il a été généré un vide qui a permis l'infiltration de liquide conducteur dans l'échantillon au cours des essais de pulvérisation ou d'immersion dans l'eau.

**Critères d'acceptation**

Le courant de fuite mesuré au cours de cet essai ne doit pas dépasser 25 mA.

**F.4 Essai de cycle thermique**

Cet essai est réalisé conformément à la CEI 60068-2-14 avec 5 cycles à une température inférieure à -40 °C et à une température supérieure de +100 °C. La durée totale de chaque demi-cycle est de 3 h et la variation de température doit avoir lieu dans les 30 s.

**Critères d'acceptation**

Pendant et après l'essai, les échantillons doivent être examinés visuellement afin de détecter les éventuels vides, fissures, cheminements et érosions de surface. Les valeurs de courant résiduel ne doivent pas augmenter de plus de 10 %. Le degré de cheminement, l'érosion de surface et la fissuration doivent être évalués afin de déterminer s'ils risquent de compromettre l'enveloppe du produit et sa conformité aux autres exigences de performances électriques et mécaniques établies dans la présente norme.

**F.5 Vérification de la résistance à la corrosion**

Les parafoudres ayant des parties métalliques exposées doivent être soumis à l'essai et doivent être montés comme en usage normal, conformément aux instructions du constructeur.

L'enveloppe ou les échantillons doivent être neufs et à l'état propre. Les échantillons doivent être soumis à l'essai suivant:

- 12 cycles de 24 h, essai cyclique de chaleur humide, selon l'essai Db de la CEI 60068-2-30 à une température de 40 °C et une humidité relative de 95 %;
- 14 cycles de 24 h, essai au brouillard salin selon l'essai Ka de la CEI 60068-2-11 à une température de  $(35 \pm 2)$  °C.

Après l'essai, les échantillons doivent être lavés à l'eau courante pendant 5 min, rincés dans de l'eau distillée ou déminéralisée puis secoués ou soumis à un jet d'air pour éliminer les gouttelettes d'eau. L'échantillon soumis à l'essai doit ensuite être placé dans des conditions normales de service pendant 2 h.

**Critères d'acceptation**

La conformité est vérifiée par examen visuel afin de s'assurer que:

- il n'y a aucune trace de rouille, de fissuration ou autre détérioration. Cependant, une détérioration de surface d'un éventuel revêtement protecteur est admise. En cas de doute, se reporter à l'ISO 4628-3 afin de vérifier que les échantillons sont conformes à l'éprouvette Ri1;
- les joints d'étanchéité ne sont pas endommagés;
- les éventuelles parties mobiles (déconnecteurs) fonctionnent sans effort anormal.



## Annexe G (normative)

### Limites d'échauffement

**Tableau G.1 – Limites d'échauffement**

Parties du parafoudre	Echauffement K
Composants intégrés <sup>a</sup>	Conformément aux exigences de la norme de produit applicable aux divers composants ou conformément aux instructions du constructeur du composant <sup>f</sup> , en tenant compte de la température de l'ensemble
Bornes pour conducteurs externes isolés	70 <sup>b</sup>
Jeux de barres et conducteurs, contacts enfichables de pièces démontables ou extractibles qui se connectent aux jeux de barres	Limité par: <ul style="list-style-type: none"> <li>– la résistance mécanique du matériau conducteur <sup>g</sup>;</li> <li>– les éventuels effets sur les équipements adjacents;</li> <li>– la limite de température admissible des matériaux isolants en contact avec le conducteur;</li> <li>– les effets de la température du conducteur sur l'appareil qui lui est connecté;</li> <li>– pour les contacts enfichables, la nature et le traitement de surface du matériau de contact</li> </ul>
Moyens de fonctionnement manuels: <ul style="list-style-type: none"> <li>– en métal</li> <li>– en matériau isolant</li> </ul>	15 <sup>c</sup> 25 <sup>c)</sup>
Enveloppes extérieures accessibles et couvercles: <ul style="list-style-type: none"> <li>– surfaces métalliques</li> <li>– surfaces isolantes</li> </ul>	30 <sup>d</sup> 40 <sup>d</sup>
Dispositifs discrets de connexion de type mâle-femelle (fiche-prise)	Déterminé par la limite des composants des équipements concernés dont ils font partie <sup>e</sup>
<p><sup>a</sup> L'expression « composants intégrés » signifie:</p> <ul style="list-style-type: none"> <li>– l'appareillage conventionnel;</li> <li>– les sous-ensembles électroniques (par exemple pont à redresseur, circuit imprimé);</li> <li>– des parties d'équipements (par exemple régulateur, unité d'alimentation stabilisée, amplificateur opérationnel).</li> </ul> <p><sup>b</sup> La limite d'échauffement de 70 K est une valeur basée sur l'essai conventionnel de 8.6.1.1. Un parafoudre utilisé ou soumis à l'essai dans des conditions d'installation peut avoir des connexions dont le type, la nature et la disposition ne seront pas les mêmes que ceux adoptés pour l'essai; dans ce cas il peut en résulter un échauffement différent des bornes. Lorsque les bornes du composant intégré sont également celles utilisées pour les conducteurs externes isolés, la valeur inférieure des limites d'échauffement correspondantes doit être appliquée.</p> <p><sup>c</sup> Moyens de fonctionnement manuels du parafoudre uniquement accessibles une fois le parafoudre ouvert; il est par exemple admis que des poignées d'extraction rarement utilisées supportent une augmentation de 25 K de ces limites d'échauffement.</p> <p><sup>d</sup> Sauf spécification contraire, dans le cas de couvercles et enveloppes qui sont accessibles mais qu'il n'est pas nécessaire de toucher en fonctionnement normal, une augmentation de 10 K de ces limites d'échauffement est admissible.</p> <p><sup>e</sup> Ceci permet une certaine souplesse vis-à-vis d'équipements (par exemple des dispositifs électroniques) soumis à des limites d'échauffement différentes de celles qui sont normalement associées à l'appareillage.</p> <p><sup>f</sup> Pour les essais d'échauffement de 8.6.1.1, les limites d'échauffement doivent être spécifiées par le constructeur du parafoudre.</p> <p><sup>g</sup> En supposant que tous les autres critères énumérés sont remplis, il ne faut pas dépasser un échauffement maximal de 105 K pour les jeux de barres et conducteurs en cuivre nu. Cette limite de 105 K correspond à la température au-dessus de laquelle le cuivre peut recuire.</p>	

## Bibliographie

CEI 60038, *Tensions normales de la CEI*

CEI 60050-151, *Vocabulaire électrotechnique international – Partie 151: Dispositifs électriques et magnétiques*

CEI 60060-2, *Techniques des essais à haute tension – Partie 2: Systèmes de mesure*

CEI 60068-2-11:1981, *Essais d'environnement – Partie 2-11: Essais – Essais KA: Brouillard salin*

CEI 60068-2-14:2009, *Essais d'environnement – Partie 2-14: Essais – Essai N: Variation de température*

CEI 60068-2-30, 2005, *Essais d'environnement – Partie 2-30: Essais – Essai Db: Essai cycliques de chaleur humide (cycle de 12 h + 12 h)*

CEI 60099-4:2004, *Parafoudres – Partie 4: Parafoudres à oxyde métallique sans éclateurs pour réseaux à courant alternatif*

CEI 60320 (toutes les parties), *Connecteurs pour usages domestiques et usages généraux analogues*

CEI 60364-4-44:2007, *Installations électriques à basse tension – Partie 4-44: Protection pour assurer la sécurité – Protection contre les perturbations de tension et les perturbations électromagnétiques*

CEI 60364-5-51, *Installations électriques des bâtiments – Partie 5-51: Choix et mise en œuvre des matériels électriques – Règles communes*

CEI 60364-5-53: 2001, *Installations électriques des bâtiments – Partie 5-53: Choix et mise en œuvre des matériels électriques – Sectionnement, coupure et commande*

CEI 60884-1, *Prises de courant pour usages domestiques et analogues – Partie 1: Règles générales*

CEI 60947-1, *Appareillage à basse tension – Partie 1: Règles générales*

CEI 60947-5-1, *Appareillage à basse tension – Partie 5-1: Appareils et éléments de commutation pour circuits de commande – Appareils électromécaniques pour circuits de commande*

CEI 60950-1, *Matériels de traitement de l'information – Sécurité – Partie 1: Exigences générales*

CEI 61008-1, *Interrupteurs automatiques à courant différentiel résiduel pour usages domestiques et analogues sans dispositif de protection contre les surintensités incorporé (ID) – Partie 1: Règles générales*

CEI 61643-1:2005, *Parafoudres basse tension – Partie 1: Parafoudres connectés aux réseaux de distribution basse tension – Exigences et essais*

CEI 61643-12, *Parafoudres basse tension – Partie 12: Parafoudres connectés aux réseaux de distribution basse tension – Principes de choix et d'application*

CEI 62305 (toutes les parties), *Protection contre la foudre*

CEI 62305, (toutes les parties) *Protection contre la foudre*

ISO 2039-2:1987, *Plastiques – Détermination de la dureté – Partie 2: Dureté Rockwell*

ISO 4892-1:2006, *Méthodes d'exposition à des sources lumineuses de laboratoire – Plastiques – Partie 1: Guide général*

ISO 4893-2:2006, *Méthodes d'exposition à des sources lumineuses de laboratoire – Plastiques – Partie 2: Lampes à arc au xénon*

ISO 4892-3:2006, *Méthodes d'exposition à des sources lumineuses de laboratoire – Plastiques – Partie 3: Lampes fluorescentes UV*

IEEE C62.45:2008, *IEEE Guide on surge testing for equipment connected to low-voltage AC power circuits*

ASTM 151 – *Ultra Violent radiation test methods*

---

www.TeraStandard.com



INTERNATIONAL  
ELECTROTECHNICAL  
COMMISSION

3, rue de Varembé  
PO Box 131  
CH-1211 Geneva 20  
Switzerland

Tel: + 41 22 919 02 11  
Fax: + 41 22 919 03 00  
[info@iec.ch](mailto:info@iec.ch)  
[www.iec.ch](http://www.iec.ch)