

# INTERNATIONAL STANDARD

# NORME INTERNATIONALE



---

**Protection against lightning –  
Part 3: Physical damage to structures and life hazard**

**Protection contre la foudre –  
Partie 3: Dommages physiques sur les structures et risques humains**



## THIS PUBLICATION IS COPYRIGHT PROTECTED

Copyright © 2010 IEC, Geneva, Switzerland

All rights reserved. Unless otherwise specified, no part of this publication may be reproduced or utilized in any form or by any means, electronic or mechanical, including photocopying and microfilm, without permission in writing from either IEC or IEC's member National Committee in the country of the requester.

If you have any questions about IEC copyright or have an enquiry about obtaining additional rights to this publication, please contact the address below or your local IEC member National Committee for further information.

Droits de reproduction réservés. Sauf indication contraire, aucune partie de cette publication ne peut être reproduite ni utilisée sous quelque forme que ce soit et par aucun procédé, électronique ou mécanique, y compris la photocopie et les microfilms, sans l'accord écrit de la CEI ou du Comité national de la CEI du pays du demandeur.

Si vous avez des questions sur le copyright de la CEI ou si vous désirez obtenir des droits supplémentaires sur cette publication, utilisez les coordonnées ci-après ou contactez le Comité national de la CEI de votre pays de résidence.

IEC Central Office  
3, rue de Varembe  
CH-1211 Geneva 20  
Switzerland

Tel.: +41 22 919 02 11  
Fax: +41 22 919 03 00  
[info@iec.ch](mailto:info@iec.ch)  
[www.iec.ch](http://www.iec.ch)

### About the IEC

The International Electrotechnical Commission (IEC) is the leading global organization that prepares and publishes International Standards for all electrical, electronic and related technologies.

### About IEC publications

The technical content of IEC publications is kept under constant review by the IEC. Please make sure that you have the latest edition, a corrigenda or an amendment might have been published.

#### Useful links:

IEC publications search - [www.iec.ch/searchpub](http://www.iec.ch/searchpub)

The advanced search enables you to find IEC publications by a variety of criteria (reference number, text, technical committee,...).

It also gives information on projects, replaced and withdrawn publications.

IEC Just Published - [webstore.iec.ch/justpublished](http://webstore.iec.ch/justpublished)

Stay up to date on all new IEC publications. Just Published details all new publications released. Available on-line and also once a month by email.

Electropedia - [www.electropedia.org](http://www.electropedia.org)

The world's leading online dictionary of electronic and electrical terms containing more than 30 000 terms and definitions in English and French, with equivalent terms in additional languages. Also known as the International Electrotechnical Vocabulary (IEV) on-line.

Customer Service Centre - [webstore.iec.ch/csc](http://webstore.iec.ch/csc)

If you wish to give us your feedback on this publication or need further assistance, please contact the Customer Service Centre: [csc@iec.ch](mailto:csc@iec.ch).

---

### A propos de la CEI

La Commission Electrotechnique Internationale (CEI) est la première organisation mondiale qui élabore et publie des Normes internationales pour tout ce qui a trait à l'électricité, à l'électronique et aux technologies apparentées.

### A propos des publications CEI

Le contenu technique des publications de la CEI est constamment revu. Veuillez vous assurer que vous possédez l'édition la plus récente, un corrigendum ou amendement peut avoir été publié.

#### Liens utiles:

Recherche de publications CEI - [www.iec.ch/searchpub](http://www.iec.ch/searchpub)

La recherche avancée vous permet de trouver des publications CEI en utilisant différents critères (numéro de référence, texte, comité d'études,...).

Elle donne aussi des informations sur les projets et les publications remplacées ou retirées.

Just Published CEI - [webstore.iec.ch/justpublished](http://webstore.iec.ch/justpublished)

Restez informé sur les nouvelles publications de la CEI. Just Published détaille les nouvelles publications parues. Disponible en ligne et aussi une fois par mois par email.

Electropedia - [www.electropedia.org](http://www.electropedia.org)

Le premier dictionnaire en ligne au monde de termes électroniques et électriques. Il contient plus de 30 000 termes et définitions en anglais et en français, ainsi que les termes équivalents dans les langues additionnelles. Egalement appelé Vocabulaire Electrotechnique International (VEI) en ligne.

Service Clients - [webstore.iec.ch/csc](http://webstore.iec.ch/csc)

Si vous désirez nous donner des commentaires sur cette publication ou si vous avez des questions contactez-nous: [csc@iec.ch](mailto:csc@iec.ch).



IEC 62305-3

Edition 2.0 2010-12

# INTERNATIONAL STANDARD

# NORME INTERNATIONALE



---

**Protection against lightning –  
Part 3: Physical damage to structures and life hazard**

**Protection contre la foudre –  
Partie 3: Dommages physiques sur les structures et risques humains**

INTERNATIONAL  
ELECTROTECHNICAL  
COMMISSION

COMMISSION  
ELECTROTECHNIQUE  
INTERNATIONALE

PRICE CODE **XG**  
CODE PRIX

ICS 29.020; 91.120.40

ISBN 978-2-83220-129-9

**Warning! Make sure that you obtained this publication from an authorized distributor.  
Attention! Veuillez vous assurer que vous avez obtenu cette publication via un distributeur agréé.**

## CONTENTS

FOREWORD.....	7
INTRODUCTION.....	10
1 Scope.....	11
2 Normative references .....	11
3 Terms and definitions .....	12
4 Lightning protection system (LPS) .....	15
4.1 Class of LPS .....	15
4.2 Design of the LPS .....	16
4.3 Continuity of steelwork in reinforced concrete structures .....	16
5 External lightning protection system .....	17
5.1 General.....	17
5.1.1 Application of an external LPS.....	17
5.1.2 Choice of external LPS.....	17
5.1.3 Use of natural components .....	17
5.2 Air-termination systems .....	18
5.2.1 General .....	18
5.2.2 Positioning .....	18
5.2.3 Air-terminations against flashes to the side of tall structures.....	19
5.2.4 Construction .....	20
5.2.5 Natural components.....	20
5.3 Down-conductor systems.....	21
5.3.1 General .....	21
5.3.2 Positioning for an isolated LPS.....	22
5.3.3 Positioning for a non-isolated LPS.....	22
5.3.4 Construction .....	23
5.3.5 Natural components.....	23
5.3.6 Test joints.....	24
5.4 Earth-termination system.....	24
5.4.1 General .....	24
5.4.2 Earthing arrangement in general conditions .....	25
5.4.3 Installation of earth electrodes.....	26
5.4.4 Natural earth electrodes .....	27
5.5 Components .....	27
5.5.1 General .....	27
5.5.2 Fixing .....	28
5.5.3 Connections .....	28
5.6 Materials and dimensions .....	28
5.6.1 Materials .....	28
5.6.2 Dimensions .....	28
6 Internal lightning protection system .....	30
6.1 General.....	30
6.2 Lightning equipotential bonding .....	31
6.2.1 General .....	31
6.2.2 Lightning equipotential bonding for metal installations .....	31
6.2.3 Lightning equipotential bonding for external conductive parts .....	32
6.2.4 Lightning equipotential bonding for internal systems.....	33

6.2.5	Lightning equipotential bonding for lines connected to the structure to be protected .....	33
6.3	Electrical insulation of the external LPS .....	34
6.3.1	General .....	34
6.3.2	Simplified approach .....	35
6.3.3	Detailed approach .....	35
7	Maintenance and inspection of an LPS .....	35
7.1	General .....	35
7.2	Application of inspections .....	36
7.3	Order of inspections .....	36
7.4	Maintenance .....	36
8	Protection measures against injury to living beings due to touch and step voltages .....	36
8.1	Protection measures against touch voltages .....	36
8.2	Protection measures against step voltages .....	37
Annex A (normative)	Positioning the air-termination system .....	38
Annex B (normative)	Minimum cross-section of the entering cable screen in order to avoid dangerous sparking .....	43
Annex C (informative)	Evaluation of the separation distance $s$ .....	44
Annex D (normative)	Additional information for LPS in the case of structures with a risk of explosion .....	50
Annex E (informative)	Guidelines for the design, construction, maintenance and inspection of lightning protection systems .....	57
Bibliography	.....	154
Figure 1	– Protection angle corresponding to the class of LPS .....	19
Figure 2	– Loop in a down-conductor .....	23
Figure 3	– Minimum length $l_1$ of each earth electrode according to the class of LPS .....	25
Figure A.1	– Volume protected by a vertical air-termination rod .....	38
Figure A.2	– Volume protected by a vertical air-termination rod .....	39
Figure A.3	– Volume protected by a wire air-termination system .....	39
Figure A.4	– Volume protected by isolated wires combined in a mesh according to the protection angle method and rolling sphere method .....	40
Figure A.5	– Volume protected by non-isolated wires combined in a mesh according to the mesh method and the protection angle method .....	41
Figure A.6	– Design of an air-termination system according to the rolling sphere method .....	42
Figure C.1	– Values of coefficient $k_C$ in the case of a wire air-termination system .....	44
Figure C.2	– Values of coefficient $k_C$ in the case of multiple down-conductors system .....	45
Figure C.3	– Values of coefficient $k_C$ in the case of a sloped roof with air-termination on the ridge .....	47
Figure C.4	– Examples of calculation of the separation distance in the case of multiple down-conductors with an interconnecting ring of the down-conductors at each level .....	48
Figure C.5	– Values of coefficient $k_C$ in the case of a meshed air-termination system, with a multiple down-conductors system .....	49
Figure E.1	– LPS design flow diagram .....	59
Figure E.2	– LPS design for a cantilevered part of a structure .....	65
Figure E.3	– Measuring the overall electrical resistance .....	66

Figure E.4 – Equipotential bonding in a structure with a steel reinforcement .....	68
Figure E.5 – Typical methods of joining reinforcing rods in concrete (where permitted).....	69
Figure E.6 – Example of clamps used as joints between reinforcing rods and conductors .....	70
Figure E.7 – Examples for connection points to the reinforcement in a reinforced concrete wall .....	71
Figure E.8 – Use of metallic facade as natural down-conductor system and connection of facade supports .....	75
Figure E.9 – Connection of the continuous strip windows to a metal facade covering.....	76
Figure E.10 – Internal down-conductors in industrial structures.....	79
Figure E.11 – Installation of bonding conductors in reinforced concrete structures and flexible bonds between two reinforced concrete parts .....	81
Figure E.12 – Protection angle method air-termination design for different heights according to Table 2 .....	85
Figure E.13 – Isolated external LPS using two isolated air-termination masts designed according to the protection angle air-termination design method .....	86
Figure E.14 – Isolated external LPS using two isolated air-termination masts, interconnected by horizontal catenary wire .....	87
Figure E.15 – Example of design of an air-termination of a non-isolated LPS by air- termination rods.....	88
Figure E.16 – Example of design of an air-termination of a non isolated LPS by a horizontal wire according to the protection angle air-termination design method .....	89
Figure E.17 – Protected volume of an air- termination rod on a sloped surface using the protection angle design method .....	90
Figure E.18 – Design of an LPS air-termination conductor network on a structure with complicated shape.....	91
Figure E.19 – Design of an LPS air-termination according to the protection angle method, mesh method and general arrangement of air-termination elements .....	92
Figure E.20 – Space protected by two parallel air-termination horizontal wires or two air-termination rods ( $r > h_t$ ) .....	93
Figure E.21 – Three examples of design of non-isolated LPS air-termination according to the mesh method air-termination design .....	95
Figure E.22 – Four examples of details of an LPS on a structure with sloped tiled roofs .....	98
Figure E.23 – Air-termination and visually concealed conductors for buildings less than 20 m high, with sloping roofs.....	99
Figure E.24 – Construction of an LPS using natural components on the roof of the structure .....	101
Figure E.25 – Positioning of the external LPS on a structure made of isolating material e.g. wood or bricks with a height up to 60 m with flat roof and with roof fixtures .....	102
Figure E.26 – Construction of air-termination network on a roof with conductive covering where puncturing of the covering is not acceptable.....	103
Figure E.27 – Construction of external LPS on a structure of steel-reinforced concrete using the reinforcement of the outer walls as natural components.....	104
Figure E.28 – Example of an air-termination stud used on car park roofs.....	105
Figure E.29 – Air-termination rod used for protection of a metallic roof fixture with electric power installations which are not bonded to the air-termination system .....	106
Figure E.30 – Method of achieving electrical continuity on metallic parapet capping .....	107
Figure E.31 – Metallic roof fixture protected against direct lightning interception, connected to air-termination system.....	110

Figure E.32 – Examples of lightning protection of a house with a TV antenna .....	113
Figure E.33 – Installation of lightning protection of metallic equipment on a roof against a direct lightning flash .....	114
Figure E.34 – Connection of natural air-termination rod to air-termination conductor .....	116
Figure E.35 – Construction of the bridging between the segments of the metallic facade plates .....	117
Figure E.36 – Installation of external LPS on a structure of insulating material with different roof levels .....	120
Figure E.37 – Five examples of geometry of LPS conductors .....	121
Figure E.38 – Construction of an LPS using only two down-conductors and foundation earth electrodes .....	122
Figure E.39 – Four examples of connection of earth-termination to the LPS of structures using natural down-conductors (girders) and detail of a test joint .....	126
Figure E.40 – Construction of foundation earth ring for structures of different foundation design .....	130
Figure E.41 – Two examples of vertical electrodes in type A earthing arrangement .....	131
Figure E.42 – Meshed earth-termination system of a plant .....	135
Figure E.43 – Example of an equipotential bonding arrangement .....	142
Figure E.44 – Example of bonding arrangement in a structure with multiple point entries of external conductive parts using a ring electrode for interconnection of bonding bars .....	143
Figure E.45 – Example of bonding in the case of multiple point entries of external conductive parts and an electric power or communication line using an internal ring conductor for interconnection of the bonding bars .....	144
Figure E.46 – Example of bonding arrangement in a structure with multiple point entries of external conductive parts entering the structure above ground level .....	145
Figure E.47 – Directions for calculations of the separation distance, $s$ , for a worst case lightning interception point at a distance $l$ from the reference point according to 6.3 .....	147
Table 1 – Relation between lightning protection levels (LPL) and class of LPS (see IEC 62305-1) .....	16
Table 2 – Maximum values of rolling sphere radius, mesh size and protection angle corresponding to the class of LPS .....	19
Table 3 – Minimum thickness of metal sheets or metal pipes in air-termination systems .....	21
Table 4 – Typical preferred values of the distance between down-conductors according to the class of LPS .....	22
Table 5 – LPS materials and conditions of use .....	27
Table 6 – Material, configuration and minimum cross-sectional area of air-termination conductors, air-termination rods, earth lead-in rods and down-conductors .....	29
Table 7 – Material, configuration and minimum dimensions of earth electrodes .....	30
Table 8 – Minimum dimensions of conductors connecting different bonding bars or connecting bonding bars to the earth-termination system .....	32
Table 9 – Minimum dimensions of conductors connecting internal metal installations to the bonding bar .....	32
Table 10 – Isolation of external LPS – Values of coefficient $k_i$ .....	34
Table 11 – Isolation of external LPS – Values of coefficient $k_m$ .....	34
Table 12 – Isolation of external LPS – Approximated values of coefficient $k_c$ .....	35
Table B.1 – Cable length to be considered according to the condition of the screen .....	43
Table E.1 – Suggested fixing centres .....	96

Table E.2 – Maximum period between inspections of an LPS..... 149

www.TeraStandard.com



## INTERNATIONAL ELECTROTECHNICAL COMMISSION

---

**PROTECTION AGAINST LIGHTNING –****Part 3: Physical damage to structures and life hazard**

## FOREWORD

- 1) The International Electrotechnical Commission (IEC) is a worldwide organization for standardization comprising all national electrotechnical committees (IEC National Committees). The object of IEC is to promote international co-operation on all questions concerning standardization in the electrical and electronic fields. To this end and in addition to other activities, IEC publishes International Standards, Technical Specifications, Technical Reports, Publicly Available Specifications (PAS) and Guides (hereafter referred to as "IEC Publication(s)"). Their preparation is entrusted to technical committees; any IEC National Committee interested in the subject dealt with may participate in this preparatory work. International, governmental and non-governmental organizations liaising with the IEC also participate in this preparation. IEC collaborates closely with the International Organization for Standardization (ISO) in accordance with conditions determined by agreement between the two organizations.
- 2) The formal decisions or agreements of IEC on technical matters express, as nearly as possible, an international consensus of opinion on the relevant subjects since each technical committee has representation from all interested IEC National Committees.
- 3) IEC Publications have the form of recommendations for international use and are accepted by IEC National Committees in that sense. While all reasonable efforts are made to ensure that the technical content of IEC Publications is accurate, IEC cannot be held responsible for the way in which they are used or for any misinterpretation by any end user.
- 4) In order to promote international uniformity, IEC National Committees undertake to apply IEC Publications transparently to the maximum extent possible in their national and regional publications. Any divergence between any IEC Publication and the corresponding national or regional publication shall be clearly indicated in the latter.
- 5) IEC itself does not provide any attestation of conformity. Independent certification bodies provide conformity assessment services and, in some areas, access to IEC marks of conformity. IEC is not responsible for any services carried out by independent certification bodies.
- 6) All users should ensure that they have the latest edition of this publication.
- 7) No liability shall attach to IEC or its directors, employees, servants or agents including individual experts and members of its technical committees and IEC National Committees for any personal injury, property damage or other damage of any nature whatsoever, whether direct or indirect, or for costs (including legal fees) and expenses arising out of the publication, use of, or reliance upon, this IEC Publication or any other IEC Publications.
- 8) Attention is drawn to the Normative references cited in this publication. Use of the referenced publications is indispensable for the correct application of this publication.
- 9) Attention is drawn to the possibility that some of the elements of this IEC Publication may be the subject of patent rights. IEC shall not be held responsible for identifying any or all such patent rights.

International Standard IEC 62305-3 has been prepared by IEC technical committee 81: Lightning protection.

This second edition cancels and replaces the first edition, published in 2006, and constitutes a technical revision.

This edition includes the following significant technical changes with respect to the previous edition:

- 1) Minimum thicknesses of metal sheets or metal pipes given in Table 3 for air-termination systems are assumed as not able to prevent hot-spot problems.
- 2) Steel with electro-deposited copper is introduced as material suitable for LPS.
- 3) Some cross-sectional areas of LPS conductors were slightly modified.
- 4) For bonding purposes, isolating spark gaps are used for metal installations and SPD for internal systems.

- 5) Two methods – simplified and detailed – are provided for evaluation of separation distance.
- 6) Protection measures against injuries of living beings due to electric shock are considered also inside the structure.
- 7) Improved information for LPS in the case of structures with a risk of explosion are given in Annex D (normative).

This bilingual version (2012-06) corresponds to the monolingual English version, published in 2010-12.

The text of this standard is based on the following documents:

FDIS	Report on voting
81/372/FDIS	81/382/RVD

Full information on the voting for the approval of this standard can be found in the report on voting indicated in the above table.

The French version of this standard has not been voted upon.

This publication has been drafted, as closely as possible, in accordance with the ISO/IEC Directives, Part 2.

A list of all the parts in the IEC 62305 series, under the general title *Protection against lightning*, can be found on the IEC website.

The committee has decided that the contents of this publication will remain unchanged until the stability date indicated on the IEC web site under "<http://webstore.iec.ch>" in the data related to the specific publication. At this date, the publication will be

- reconfirmed,
- withdrawn,
- replaced by a revised edition, or
- amended.

In the United States, based on the requirements of NFPA 780: Standard for the Installation of Lightning Protection Systems:2008 <sup>[1]</sup> 1 and practical experience in the use of horizontal earth electrodes, the minimum length of horizontal earth electrodes is not required to be twice that required for vertical electrodes.

In France and Portugal:

- natural components cannot substitute as lightning protection components but may be used to complete/enhance the LPS;
- aluminium solid round diameters should be increased from 8 mm to 10 mm;
- stranded conductors cannot be used as down-conductors;
- diameter of solid round conductors should be increased from 16 mm to 18 mm;
- hot dip galvanized steel solid tape thickness should be increased from 2 mm to 3,5 mm.

In Russia the use of piping carrying and tanks containing readily-combustible or explosive materials as air-termination natural components or down-conductor natural components are not allowed in any case.

In Japan the minimum values of the cross-section are reduced from:

- 16 mm<sup>2</sup> to 14 mm<sup>2</sup> for copper and 25 mm<sup>2</sup> to 22 mm<sup>2</sup> for aluminium, for bonding conductors connecting different bonding bars and conductors connecting the bars to the earth-termination system;
- 6 mm<sup>2</sup> to 5 mm<sup>2</sup> for copper, 10 mm<sup>2</sup> to 8 mm<sup>2</sup> for aluminium and 16 mm<sup>2</sup> to 14 mm<sup>2</sup> for steel, for bonding conductors connecting internal metal installations to the bonding bars.

---

<sup>1</sup> References in square brackets refer to the bibliography.

**IMPORTANT – The 'colour inside' logo on the cover page of this publication indicates that it contains colours which are considered to be useful for the correct understanding of its contents. Users should therefore print this document using a colour printer.**

## INTRODUCTION

This part of IEC 62305 deals with the protection, in and around a structure, against physical damage and injury to living beings due to touch and step voltages.

The main and most effective measure for protection of structures against physical damage is considered to be the lightning protection system (LPS). It usually consists of both external and internal lightning protection systems.

An external LPS is intended to

- a) intercept a lightning flash to the structure (with an air-termination system),
- b) conduct the lightning current safely towards earth (using a down-conductor system),
- c) disperse the lightning current into the earth (using an earth-termination system).

An internal LPS prevents dangerous sparking within the structure using either equipotential bonding or a separation distance (and hence electrical insulation) between the external LPS (as defined in 3.2) components and other electrically conducting elements internal to the structure.

Main protection measures against injury to living beings due to touch and step voltages are intended to:

- 1) reduce the dangerous current flowing through bodies by insulating exposed conductive parts, and/or by increasing the surface soil resistivity,
- 2) reduce the occurrence of dangerous touch and step voltages by physical restrictions and/or warning notices.

The type and location of an LPS should be carefully considered in the initial design of a new structure, thereby enabling maximum advantage to be taken of the electrically conductive parts of the structure. By doing so, design and construction of an integrated installation is made easier, the overall aesthetic aspects can be improved, and the effectiveness of the LPS can be increased at minimum cost and effort.

Access to the ground and the proper use of foundation steelwork for the purpose of forming an effective earth-termination may well be impossible once construction work on a site has commenced. Therefore, soil resistivity and the nature of the earth should be considered at the earliest possible stage of a project. This information is fundamental to the design of an earth-termination system and may influence the foundation design work for the structure.

Regular consultation between LPS designers and installers, architects and builders is essential in order to achieve the best result at minimum cost.

If lightning protection is to be added to an existing structure, every effort should be made to ensure that it conforms to the principles of this standard. The design of the type and location of an LPS should take into account the features of the existing structure.

## PROTECTION AGAINST LIGHTNING –

### Part 3: Physical damage to structures and life hazard

#### 1 Scope

This part of IEC 62305 provides the requirements for protection of a structure against physical damage by means of a lightning protection system (LPS), and for protection against injury to living beings due to touch and step voltages in the vicinity of an LPS (see IEC 62305-1).

This standard is applicable to:

- a) design, installation, inspection and maintenance of an LPS for structures without limitation of their height,
- b) establishment of measures for protection against injury to living beings due to touch and step voltages.

NOTE 1 Specific requirements for an LPS in structures dangerous to their surroundings due to the risk of explosion are under consideration. Additional information is provided in Annex D for use in the interim.

NOTE 2 This part of IEC 62305 is not intended to provide protection against failures of electrical and electronic systems due to overvoltages. Specific requirements for such cases are provided in IEC 62305-4.

NOTE 3 Specific requirements for protection against lightning of wind turbines are reported in IEC 61400-24<sup>[2]</sup>.

#### 2 Normative references

The following referenced documents are indispensable for the application of this document. For dated references, only the edition cited applies. For undated references, the latest edition of the referenced document (including any amendments) applies.

IEC 60079-10-1:2008, *Explosive atmospheres – Part 10-1: Classification of areas – Explosive gas atmospheres*

IEC 60079-10-2:2009, *Explosive atmospheres – Part 10-2: Classification of areas – Combustible dust atmospheres*

IEC 60079-14:2007, *Explosive atmospheres – Part 14: Electrical installations design, selection and erection*

IEC 61557-4, *Electrical safety in low-voltage distribution systems up to 1 000 V a.c. and 1 500 V d.c. – Equipment for testing, measuring or monitoring of protective measures – Part 4: Resistance of earth connection and equipotential bonding*

IEC 61643-1, *Low-voltage surge protective devices – Part 1: Surge protective devices connected to low-voltage power distribution systems – Requirements and tests*

IEC 61643-21, *Low-voltage surge protective devices – Part 21: Surge protective devices connected to telecommunications and signalling networks – Performance requirements and testing methods*

IEC 62305-1, *Protection against lightning – Part 1: General principles*

IEC 62305-2, *Protection against lightning – Part 2: Risk management*

IEC 62305-4, *Protection against lightning – Part 4: Electrical and electronic systems within structures*

IEC 62561 (all parts)<sup>2</sup>, *Lightning protection system components (LPSC)*

IEC 62561-1<sup>2</sup>, *Lightning protection system components (LPSC) – Part 1: Requirements for connection components*

IEC 62561-3<sup>2</sup>, *Lightning protection system components (LPSC) – Part 3: Requirements for isolating spark gaps*

ISO 3864-1, *Graphical symbols – Safety colours and safety signs – Part 1: Design principles for safety signs in workplaces and public areas*

### 3 Terms and definitions

For the purposes of this document, the following terms and definitions, some of which have already been cited in Part 1 but are repeated here for ease of reference, as well as those given in other parts of IEC 62305, apply.

#### 3.1

##### **lightning protection system**

LPS

complete system used to reduce physical damage due to lightning flashes to a structure

NOTE It consists of both external and internal lightning protection systems.

#### 3.2

##### **external lightning protection system**

part of the LPS consisting of an air-termination system, a down-conductor system and an earth-termination system

#### 3.3

##### **external LPS isolated from the structure to be protected**

LPS with an air-termination system and down-conductor system positioned in such a way that the path of the lightning current has no contact with the structure to be protected

NOTE In an isolated LPS, dangerous sparks between the LPS and the structure are avoided.

#### 3.4

##### **external LPS not isolated from the structure to be protected**

LPS with an air-termination system and down-conductor system positioned in such a way that the path of the lightning current can be in contact with the structure to be protected

#### 3.5

##### **internal lightning protection system**

part of the LPS consisting of lightning equipotential bonding and/or electrical insulation of external LPS

#### 3.6

##### **air-termination system**

part of an external LPS using metallic elements such as rods, mesh conductors or catenary wires intended to intercept lightning flashes

---

<sup>2</sup> In preparation.

**3.7****down-conductor system**

part of an external LPS intended to conduct lightning current between the air-termination system and the earth-termination system

**3.8****ring conductor**

conductor forming a loop around the structure and interconnecting the down-conductors for distribution of lightning current among them

**3.9****earth-termination system**

part of an external LPS which is intended to conduct and disperse lightning current into the earth

**3.10****earth electrode**

part or a group of parts of the earth-termination system which provides direct electrical contact with the earth and disperses lightning current to the earth

**3.11****ring earth electrode**

earth electrode forming a closed loop around the structure below or on the surface of the earth

**3.12****foundation earth electrode**

conductive part buried in the soil under a building foundation or, preferably, embedded in concrete of a building foundation, generally in form of a closed loop

[IEC 60050-826:2004, 826-13-08] <sup>[3]</sup>

**3.13****conventional earth impedance**

ratio of the peak values of the earth-termination voltage and the earth-termination current which, in general, do not occur simultaneously

**3.14****earth-termination voltage**

potential difference between the earth-termination system and the remote earth

**3.15****natural component of LPS**

conductive component installed not specifically for lightning protection which can be used in addition to the LPS or in some cases could provide the function of one or more parts of the LPS

NOTE Examples of the use of this term include:

- natural air-termination;
- natural down-conductor;
- natural earth electrode.

**3.16****connecting component**

part of an LPS which is used for the connection of conductors to each other or to metallic installations

NOTE This also includes bridging component and expansion piece.

**3.17**

**fixing component**

part of an LPS which is used to fix the elements of the LPS to the structure to be protected

**3.18**

**metal installations**

extended metal items in the structure to be protected which may form a path for lightning current, such as pipework, staircases, elevator guide rails, ventilation, heating and air-conditioning ducts, interconnected reinforcing steel, structural metal parts

**3.19**

**external conductive parts**

extended metal items entering or leaving the structure to be protected such as pipework, metallic cable elements, metal ducts, etc. which may carry a part of the lightning current

**3.20**

**electrical system**

system incorporating low-voltage power supply components

**3.21**

**electronic system**

system incorporating sensitive electronic components such as telecommunication equipment, computer, control and instrumentation systems, radio systems, power electronic installations

**3.22**

**internal systems**

electrical and electronic systems within a structure

**3.23**

**lightning equipotential bonding**

EB

bonding to the LPS of separated conductive parts, by direct connections or via surge protective devices, to reduce potential differences caused by lightning current

**3.24**

**bonding bar**

metal bar on which metal installations, external conductive parts, electric power and telecommunication lines and other cables can be bonded to an LPS

**3.25**

**bonding conductor**

conductor connecting separated conductive parts to LPS

**3.26**

**interconnected reinforcing steel**

steelwork within a concrete structure which is considered electrically continuous

**3.27**

**dangerous sparking**

electrical discharge due to lightning which causes physical damage in the structure to be protected

**3.28**

**separation distance**

distance between two conductive parts at which no dangerous sparking can occur



**3.29****surge protective device**

SPD

device intended to limit transient overvoltages and divert surge currents; contains at least one non linear component

**3.30****test joint**

joint designed to facilitate electrical testing and measurement of LPS components

**3.31****class of LPS**

number denoting the classification of an LPS according to the lightning protection level for which it is designed

**3.32****lightning protection designer**

specialist competent and skilled in the design of the LPS

**3.33****lightning protection installer**

person competent and skilled in the installation of the LPS

**3.34****structures with risk of explosion**

structures containing solid explosives materials or hazardous zones as determined in accordance with IEC 60079-10-1 and IEC 60079-10-2

**3.35****isolating spark gap**

ISG

component with discharge distance for isolating electrically conductive installation sections

NOTE In the event of a lightning strike, the installation sections are temporarily connected conductively as the result of response to the discharge.

**3.36****isolating interfaces**

devices which are capable of reducing conducted surges on lines entering the LPZ

NOTE 1 These include isolation transformers with earthed screen between windings, metal-free fibre optic cables and opto-isolators.

NOTE 2 Insulation withstand characteristics of these devices are suitable for this application intrinsically or via SPD.

**4 Lightning protection system (LPS)****4.1 Class of LPS**

The characteristics of an LPS are determined by the characteristics of the structure to be protected and by the considered lightning protection level.

Four classes of LPS (I to IV), as shown in Table 1, are defined in this standard corresponding to lightning protection levels defined in IEC 62305-1.

**Table 1 – Relation between lightning protection levels (LPL) and class of LPS (see IEC 62305-1)**

LPL	Class of LPS
I	I
II	II
III	III
IV	IV

Each class of LPS is characterized by the following:

- a) Data dependent upon the class of LPS:
- lightning parameters (see Tables 3 and 4 in IEC 62305-1:2010);
  - rolling sphere radius, mesh size and protection angle (see 5.2.2);
  - typical preferred distances between down-conductors (see 5.3.3);
  - separation distance against dangerous sparking (see 6.3);
  - minimum length of earth electrodes (see 5.4.2).
- b) Factors not dependent upon the class of LPS:
- lightning equipotential bonding (see 6.2);
  - minimum thickness of metal sheets or metal pipes in air-termination systems (see 5.2.5);
  - LPS materials and conditions of use (see 5.5.1);
  - material, configuration and minimum dimensions for air-terminations, down-conductors and earth-terminations (see 5.6);
  - minimum dimensions of connecting conductors (see 6.2.2).

Performance of each class of LPS is given in Annex B of IEC 62305-2:2010.

The class of required LPS shall be selected on the basis of a risk assessment (see IEC 62305-2).

## 4.2 Design of the LPS

A technically and economically optimized design of an LPS is possible, especially if the steps in the design and construction of the LPS are coordinated with the steps in the design and construction of the structure to be protected. In particular, the design of the structure itself should utilize the metal parts of the structure as parts of the LPS.

The design of the class and location of the LPS for existing structures shall take into account the constraints of the existing situation.

The design documentation of an LPS shall contain all the information necessary to ensure correct and complete installation. For detailed information, see Annex E.

The LPS should be designed and installed by well-trained and expert LPS designers and installers (see E.4.2)

## 4.3 Continuity of steelwork in reinforced concrete structures

Steelwork within reinforced concrete structures is considered to be electrically continuous provided that the major part of interconnections of vertical and horizontal bars are welded or otherwise securely connected. Connections of vertical bars shall be welded, clamped or overlapped a minimum of 20 times their diameters and bound or otherwise securely connected (see Figure E.5). For new structures, the connections between reinforcement

elements shall be specified by the designer or installer, in cooperation with the builder and the civil engineer.

For structures utilizing steel-reinforced concrete (including pre-cast, pre-stressed reinforced units), the electrical continuity of the reinforcing bars shall be determined by electrical testing between the uppermost part and ground level. The overall electrical resistance should not be greater than  $0,2 \Omega$ , measured using test equipment suitable for this purpose. If this value is not achieved, or it is not practical to conduct such testing, the reinforcing steel shall not be used as a natural down-conductor as discussed in 5.3.5. In this case, it is recommended that an external down-conductor system be installed. In the case of structures of pre-cast reinforced concrete, the electrical continuity of the reinforcing steel shall be established between individual adjacent pre-cast concrete units.

NOTE 1 For further information on the continuity of steelwork in reinforced concrete structures, see Annex E.

NOTE 2 In several countries, the use of reinforced concrete as a part of the LPS is not allowed.

NOTE 3 Clamps to establish the continuity of steelwork in reinforced concrete should comply with IEC 62561-1.

## **5 External lightning protection system**

### **5.1 General**

#### **5.1.1 Application of an external LPS**

The external LPS is intended to intercept direct lightning flashes to the structure, including flashes to the side of the structure, and conduct the lightning current from the point of strike to ground. The external LPS is also intended to disperse this current into the earth without causing thermal or mechanical damage, or dangerous sparking which may trigger fire or explosions.

#### **5.1.2 Choice of external LPS**

In most cases, the external LPS may be attached to the structure to be protected.

An isolated external LPS should be considered when the thermal and explosive effects at the point of strike, or on the conductors carrying the lightning current, may cause damage to the structure or to the contents (see Annex E). Typical examples include structures with combustible covering, structures with combustible walls and areas at risk of explosion and fire.

NOTE The use of an isolated LPS may be convenient where it is predicted that changes in the structure, its contents or its use will require modifications to the LPS.

An isolated external LPS may also be considered when the susceptibility of the contents warrants the reduction of the radiated electromagnetic field associated with the lightning current pulse in the down-conductor.

#### **5.1.3 Use of natural components**

Natural components made of conductive materials, which will always remain in/on the structure and will not be modified (e.g. interconnected steel-reinforcement, metal framework of the structure, etc.) may be used as parts of an LPS.

Other natural components can only be considered as being additional to an LPS.

NOTE For further information, see Annex E.

## **5.2 Air-termination systems**

### **5.2.1 General**

The probability of structure penetration by a lightning current is considerably decreased by the presence of a properly designed air-termination system.

Air-termination systems can be composed of any combination of the following elements:

- a) rods (including free-standing masts);
- b) catenary wires;
- c) meshed conductors.

To conform to this standard, all types of air-termination systems shall be positioned in accordance with 5.2.2, 5.2.3 and Annex A. All types of air terminals shall comply in full with this standard.

For all types of air terminals only the real physical dimensions of the metal air-termination systems shall be used for the determination of the volume protected.

The individual air-termination rods should be connected together at roof level to ensure current division.

Radioactive air terminals are not allowed.

### **5.2.2 Positioning**

Air-termination components installed on a structure shall be located at corners, exposed points and edges (especially on the upper level of any facades) in accordance with one or more of the following methods.

Acceptable methods to be used in determining the position of the air-termination system include:

- the protection angle method;
- the rolling sphere method;
- the mesh method.

The rolling sphere method is suitable in all cases.

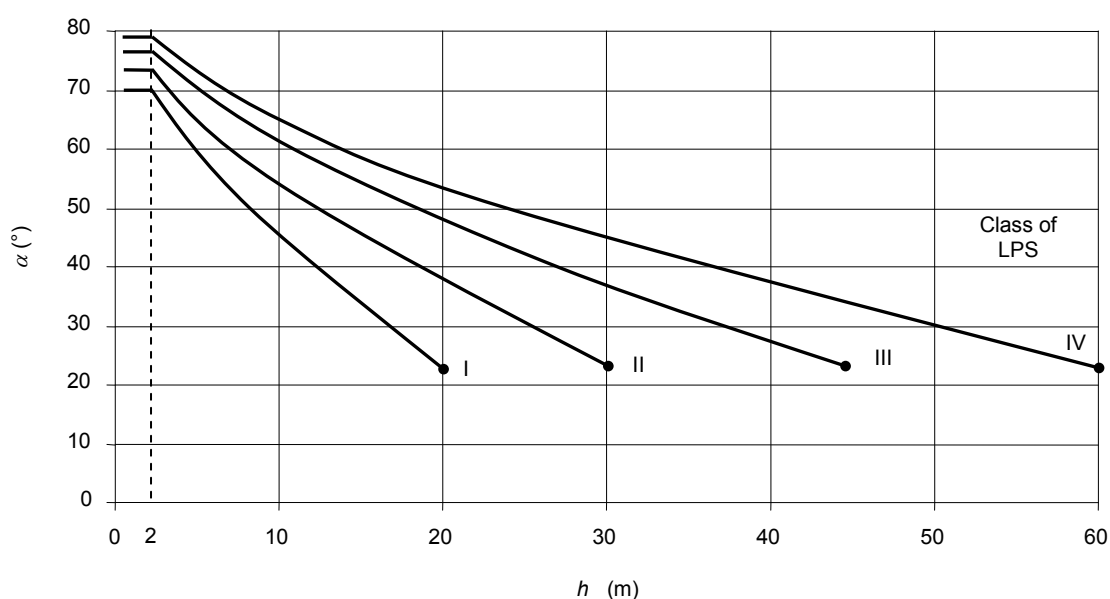
The protection angle method is suitable for simple-shaped buildings but it is subject to limits of air-termination height indicated in Table 2.

The mesh method is a suitable form of protection where plane surfaces are to be protected.

The values for the protection angle, rolling sphere radius and mesh size for each class of LPS are given in Table 2 and Figure 1. Detailed information on the positioning of the air-termination system is given in Annex A.

**Table 2 – Maximum values of rolling sphere radius, mesh size and protection angle corresponding to the class of LPS**

Class of LPS	Protection method		
	Rolling sphere radius $r$ m	Mesh size $w_m$ m	Protection angle $\alpha^\circ$
I	20	5 × 5	See Figure 1 below
II	30	10 × 10	
III	45	15 × 15	
IV	60	20 × 20	



IEC 2646/10

NOTE 1 Not applicable beyond the values marked with •. Only rolling sphere and mesh methods apply in these cases.

NOTE 2  $h$  is the height of air-termination above the reference plane of the area to be protected.

NOTE 3 The angle will not change for values of  $h$  below 2 m.

**Figure 1 – Protection angle corresponding to the class of LPS**

### 5.2.3 Air-terminations against flashes to the side of tall structures

#### 5.2.3.1 Structures less than 60 m tall

Research indicates that the probability of low amplitude strikes to the vertical side of a structure of less than 60 m in height are low enough that they need not be considered. Roofs and horizontal protrusions shall be protected in accordance with the class of LPS determined by the risk calculations of IEC 62305-2.

#### 5.2.3.2 Structures 60 m in height or more

On structures taller than 60 m, flashes to the side may occur, especially to points, corners and edges of surfaces.

NOTE 1 In general, the risk due to these flashes is low because only a few per cent of all flashes to tall structures will be to the side and moreover their parameters are significantly lower than those of flashes to the top of structures. However, electrical and electronic equipment on walls outside structures may be destroyed even by lightning flashes with low current peak values.

An air-termination system shall be installed to protect the upper part of tall structures (i.e. typically the topmost 20 % of the height of the structure as far as this part exceeds 60 m in height) and the equipment installed on it (see Annex A).

The rules for positioning the air-termination systems on these upper parts of a structure shall meet at least the requirements for LPL IV with emphasis on the location of air-termination devices on corners, edges, and significant protrusions (such as balconies, viewing platforms, etc.).

The air-termination requirement for the side of a tall structure may be satisfied by the presence of external metallic materials such as metal cladding or metallic curtain walls provided they meet the minimum size requirements of Table 3. The air-termination requirement may also include the use of external down-conductors located on the vertical edges of the structure when not provided by natural external metallic conductors.

The installed or naturally occurring air-terminations meeting these requirements may utilize installed down-conductors or be suitably interconnected with natural down-conductors such as the steel frame of the structure or the metal of electrically-continuous reinforced concrete meeting the requirements of 5.3.5.

NOTE 2 Use of suitable earth-termination and natural down-conductors is encouraged.

#### 5.2.4 Construction

Air-terminations of an LPS not isolated from the structure to be protected may be installed as follows:

- if the roof is made of non-combustible material, the air-termination conductors may be positioned on the surface of the roof;
- if the roof is made of readily-combustible material, due care needs to be taken with regard to the distance between the air-termination conductors and the material. For thatched roofs, where no steel bars are used for mounting of the reed, a distance of at least 0,15 m is adequate. For other combustible materials a distance not lower than 0,10 m is considered adequate;
- easily-combustible parts of the structure to be protected shall not remain in direct contact with the components of an external LPS and shall not remain directly under any metallic roofing membrane that might be punctured by a lightning flash (see 5.2.5).

Account shall also be taken of less combustible membranes such as wooden sheets.

NOTE If it is likely that water may accumulate on a flat roof, air-terminations should be installed above the highest probable water level.

#### 5.2.5 Natural components

The following parts of a structure should be considered and may be used as natural air-termination components and part of an LPS in accordance with 5.1.3.

- a) Metal sheets covering the structure to be protected provided that
  - the electrical continuity between the various parts is made durable (e.g. by means of brazing, welding, crimping, seaming, screwing or bolting),
  - the thickness of the metal sheet is not less than the value  $t'$  given in Table 3 if it is not important to prevent puncture of the sheeting or to consider ignition of any readily-combustible materials underneath,

- the thickness of the metal sheet is not less than the value  $t$  given in Table 3 if it is necessary to take precautions against puncture or to consider hot spot problems,

NOTE 1 Where hot spot or ignition problems may arise, it should be verified that the temperature rise of the inner surface at the point of strike does not constitute a danger. Hot spot or ignition problems can be disregarded when the metal sheets lies inside an LPZ0<sub>B</sub> or higher.

- they are not clad with insulating material.

**Table 3 – Minimum thickness of metal sheets or metal pipes in air-termination systems**

Class of LPS	Material	Thickness <sup>a</sup> $t$ mm	Thickness <sup>b</sup> $t'$ mm
I to IV	Lead	–	2,0
	Steel (stainless, galvanized)	4	0,5
	Titanium	4	0,5
	Copper	5	0,5
	Aluminium	7	0,65
	Zinc	–	0,7
<sup>a</sup> $t$ prevents puncture. <sup>b</sup> $t'$ only for metal sheets if it is not important to prevent puncture, hot spot or ignition problems.			

- Metal components of roof construction (trusses, interconnected reinforcing steel, etc.), underneath non-metallic roofing, provided that damage to this non-metallic roofing is acceptable.
- Metal parts such as ornamentation, railings, pipes, coverings of parapets, etc., with cross-sections not less than that specified for standard air-termination components.
- Metal pipes and tanks on the roof, provided that they are constructed of material with thicknesses and cross-sections in accordance with Table 6.
- Metal pipes and tanks carrying readily-combustible or explosive mixtures, provided that they are constructed of material with thickness not less than the appropriate value of  $t$  given in Table 3 and that the temperature rise of the inner surface at the point of strike does not constitute a danger (for detailed information, see Annex D).

If the conditions for thickness are not fulfilled, the pipes and tanks shall be included into the structure to be protected.

Piping carrying readily-combustible or explosive mixtures shall not be considered as an air-termination natural component if the gasket in the flange couplings is not metallic or if the flange-sides are not otherwise properly bonded.

NOTE 2 A thin coating of protective paint or about 1 mm asphalt or 0,5 mm PVC is not regarded as an insulator. Detailed information is given in E.5.3.4.1 and in E.5.3.4.2.

## 5.3 Down-conductor systems

### 5.3.1 General

In order to reduce the probability of damage due to lightning current flowing in the LPS, the down-conductors shall be arranged in such a way that from the point of strike to earth:

- several parallel current paths exist;
- the length of the current paths is kept to a minimum;

- c) equipotential bonding to conducting parts of the structure is performed according to the requirements of 6.2.

NOTE 1 Lateral connection of down-conductors is considered to be good practice.

The geometry of the down-conductors and of the ring conductors affects the separation distance (see 6.3).

NOTE 2 The installation of as many down-conductors as possible, at equal spacing around the perimeter interconnected by ring conductors, reduces the probability of dangerous sparking and facilitates the protection of internal installations (see IEC 62305-4). This condition is fulfilled in metal framework structures and in reinforced concrete structures in which the interconnected steel is electrically continuous.

Typical values of the preferred distance between down-conductors are given in Table 4.

More information on partitioning of the lightning current amongst down-conductors is given in Annex C.

### 5.3.2 Positioning for an isolated LPS

The positioning shall be as follows:

- a) If the air-termination consists of rods on separate masts (or one mast) not made of metal or interconnected reinforcing steel, at least one down-conductor is needed for each mast. No additional down-conductors are required for masts made of metal or interconnected reinforcing steel.

NOTE In several countries, the use of reinforced concrete as a part of the LPS is not allowed.

- b) If the air-termination consists of catenary wires (or one wire), at least one down-conductor is needed at each supporting structure.
- c) If the air-termination forms a network of conductors, one down-conductor is needed at least at each supporting wire end.

### 5.3.3 Positioning for a non-isolated LPS

For each non-isolated LPS the number of down-conductors shall be not less than two and should be distributed around the perimeter of the structure to be protected, subject to architectural and practical constraints.

An equal spacing of the down-conductors is preferred around the perimeter. Typical preferred values of the distance between down-conductors are given in Table 4.

NOTE The value of the distance between down-conductors is correlated with the separation distance given in 6.3.

**Table 4 – Typical preferred values of the distance between down-conductors according to the class of LPS**

Class of LPS	Typical distances m
I	10
II	10
III	15
IV	20

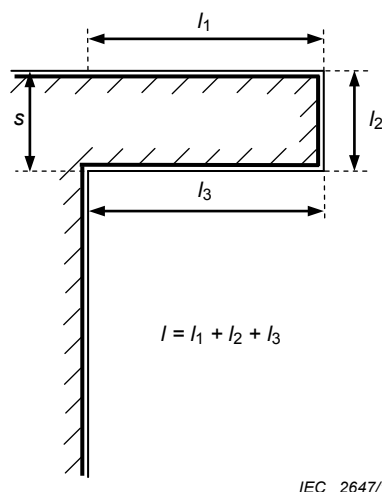
A down-conductor should be installed at each exposed corner of the structure, where this is possible.



### 5.3.4 Construction

The down-conductors shall be installed so that, as far as practicable, they form a direct continuation of the air-termination conductors.

Down-conductors shall be installed straight and vertical such that they provide the shortest and most direct path to earth. The formation of loops shall be avoided, but where this is not possible, the distance,  $s$ , measured across the gap between two points on the conductor and the length,  $l$ , of the conductor between those points (see Figure 2) shall conform to 6.3.



**Figure 2 – Loop in a down-conductor**

Down-conductors, even if covered in insulating material, shall not be installed in gutters or water spouts.

NOTE The effects of moisture in the gutters lead to intensive corrosion of the down-conductor.

It is recommended that the down-conductors be positioned such that a separation distance in accordance with 6.3 is provided between them and any doors and windows.

Down-conductors of an LPS not isolated from the structure to be protected may be installed as follows:

- if the wall is made of non-combustible material, the down-conductors may be positioned on the surface or in the wall;
- if the wall is made of readily-combustible material the down-conductors may be positioned on the surface of the wall, provided that their temperature rise due to the passage of lightning current is not dangerous for the material of the wall;
- if the wall is made of readily-combustible material and the temperature rise of down-conductors is dangerous, the down-conductors shall be placed in such a way that the distance between them and the wall is always greater than 0,1 m. Mounting brackets may be in contact with the wall.

When the distance from down-conductor to a combustible material cannot be assured, the cross-section of the steel or thermal equivalent conductor shall be not less than 100 mm<sup>2</sup>.

### 5.3.5 Natural components

The following parts of the structure may be used as natural down-conductors:

- a) the metal installations provided that

- the electrical continuity between the various parts is made durable in accordance with 5.5.3,
- their dimensions are at least equal to that specified in Table 6 for standard down-conductors.

Piping carrying readily-combustible or explosive mixtures shall not be considered as a down-conductor natural component if the gasket in the flange couplings is not metallic or if the flange-sides are not otherwise properly bonded.

NOTE 1 Metal installations may be clad with insulating material.

- b) the metal of the electrically-continuous reinforced concrete framework of the structure;

NOTE 2 With prefabricated reinforced concrete, it is important to establish interconnection points between the reinforcing elements. It is also important that reinforced concrete contains a conductive connection between the interconnection points. The individual parts should be connected on-site during assembly (see Annex E).

NOTE 3 In the case of pre-stressed concrete, attention should be paid to the risk of causing unacceptable mechanical consequences, due either to lightning current or as a result of the connection to the lightning protection system.

- c) the interconnected steel framework of the structure;

NOTE 4 Ring conductors are not necessary if the metal framework of steel structures or the interconnected reinforcing steel of the structure is used as down-conductors.

- d) the facade elements, profile rails and metallic sub-constructions of facades, provided that
- their dimensions conform to the requirements for down-conductors (see 5.6.2) and that for metal sheets or metal pipes thicknesses shall be not less than 0,5 mm,
  - their electrical continuity in a vertical direction conforms to the requirements of 5.5.3.

NOTE 5 For more information, see Annex E.

### 5.3.6 Test joints

At the connection of the earth-termination, a test joint should be fitted on each down-conductor, except in the case of natural down-conductors combined with foundation earth electrodes.

For measuring purposes, the joint shall be capable of being opened with the aid of a tool. In normal use it shall remain closed.

## 5.4 Earth-termination system

### 5.4.1 General

When dealing with the dispersion of the lightning current (high frequency behaviour) into the ground, whilst minimizing any potentially dangerous overvoltages, the shape and dimensions of the earth-termination system are the important criteria. In general, a low earthing resistance (if possible lower than 10  $\Omega$  when measured at low frequency) is recommended.

From the viewpoint of lightning protection, a single integrated structure earth-termination system is preferable and is suitable for all purposes (i.e. lightning protection, power systems and telecommunication systems).

Earth-termination systems shall be bonded in accordance with the requirements of 6.2.

NOTE 1 The conditions of separation and bonding of other earth-termination systems are usually determined by the appropriate national authorities.

NOTE 2 Serious corrosion problems can occur when earthing systems made of different materials are connected to each other.

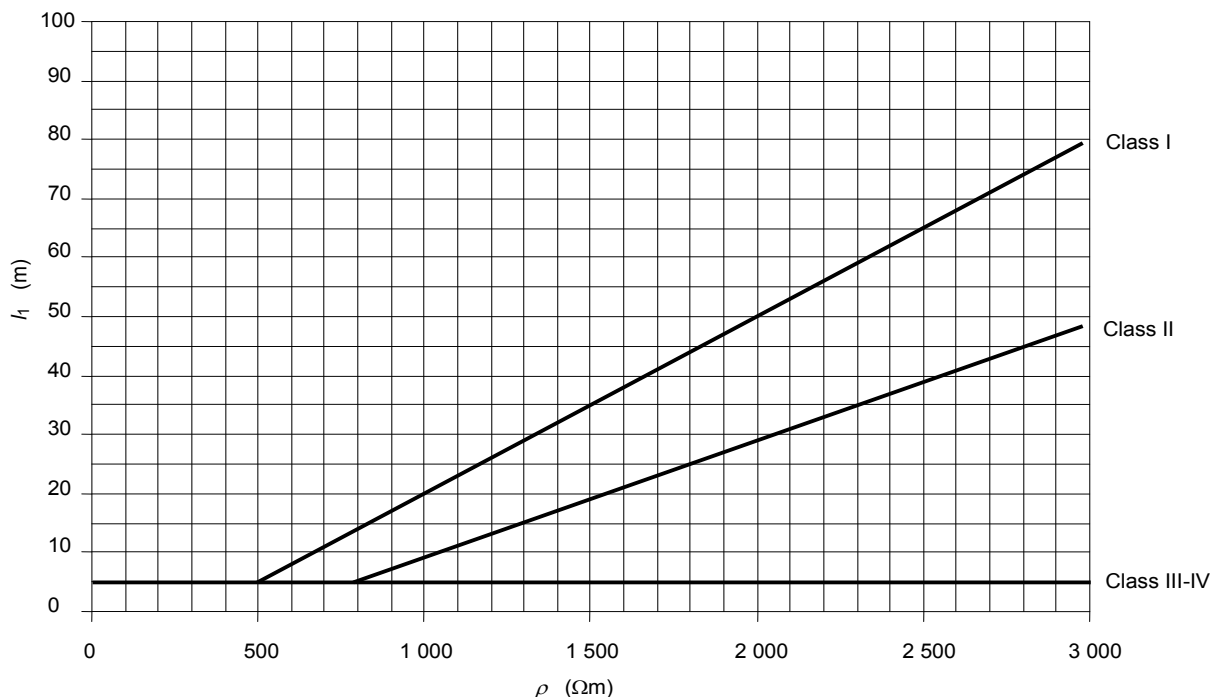
## 5.4.2 Earthing arrangement in general conditions

For earth-termination systems, two basic types of earth electrode arrangements apply.

### 5.4.2.1 Type A arrangement

This type of arrangement comprises horizontal or vertical earth electrodes installed outside the structure to be protected connected to each down-conductor or foundation earth electrodes not forming a closed loop.

In type A arrangements, the total number of earth electrodes shall be not less than two.



IEC 2648/10

NOTE Classes III and IV are independent of soil resistivity.

**Figure 3 – Minimum length  $l_1$  of each earth electrode according to the class of LPS**

The minimum length of each earth electrode at the base of each down-conductor is

- $l_1$  for horizontal electrodes, or
- $0,5 l_1$  for vertical (or inclined) electrodes,

where  $l_1$  is the minimum length of horizontal electrodes shown in the relevant part of Figure 3.

For combined (vertical or horizontal) electrodes, the total length shall be considered.

The minimum lengths stated in Figure 3 may be disregarded provided that an earthing resistance of the earth-termination system less than  $10 \Omega$  (measured at a frequency different from the power frequency and its multiple in order to avoid interference) is achieved.

NOTE 1 When the above-mentioned requirements cannot be met, a type B earth arrangement shall be used.

NOTE 2 Reduction of earthing resistance by the extension of earth electrodes is practically convenient up to 60 m. In soil with resistivity higher than 3 000  $\Omega\text{m}$ , the use of type B earth electrodes or earthing enhancing compounds is recommended.

NOTE 3 For further information, refer to Annex E.

#### 5.4.2.2 Type B arrangement

This type of arrangement comprises either a ring conductor external to the structure to be protected, in contact with the soil for at least 80 % of its total length, or a foundation earth electrode forming a closed loop. Such earth electrodes may also be meshed.

NOTE Although 20 % may not be in contact with the soil, the ring conductor must always be completely connected throughout its total length.

For the ring earth electrode (or foundation earth electrode), the mean radius  $r_e$  of the area enclosed by the ring earth electrode (or foundation earth electrode) shall be not less than the value  $l_1$ :

$$r_e \geq l_1 \quad (1)$$

where  $l_1$  is represented in Figure 3 according to LPS class I, II, III and IV.

When the required value of  $l_1$  is larger than the convenient value of  $r_e$ , additional horizontal or vertical (or inclined) electrodes shall be added with individual lengths  $l_r$  (horizontal) and  $l_v$  (vertical) given by the following equations:

$$l_r = l_1 - r_e \quad (2)$$

and

$$l_v = (l_1 - r_e) / 2 \quad (3)$$

It is recommended that the number of electrodes shall be not less than the number of the down-conductors, with a minimum of two.

The additional electrodes should be connected to the ring earth electrode at points where the down-conductors are connected and, for as many as possible, equidistantly.

#### 5.4.3 Installation of earth electrodes

The ring earth electrode (type B arrangement) should preferably be buried at a depth of at least 0,5 m and at a distance of about 1 m away from the external walls.

The earth electrodes (type A arrangement) shall be installed at a depth of upper end at least 0,5 m and distributed as uniformly as possible to minimize electrical coupling effects in the earth.

NOTE 1 If the type A earth electrode is positioned within an inspection housing which, in turn, is located in high resistance paving or adjoining concrete, then the 0,5 m requirement can be disregarded.

Earth electrodes shall be installed in such a way as to allow inspection during construction.

The embedded depth and the type of earth electrodes shall be such as to minimize the effects of corrosion, soil drying and freezing and thereby stabilize the conventional earth resistance. It is recommended that the upper part of a vertical earth electrode equal to the depth of freezing soil should not be regarded as being effective under frost conditions.

NOTE 2 Hence, for every vertical electrode, 0,5 m should be added to the value of the length  $l_1$ , calculated in 5.4.2.1 and 5.4.2.2.

For bare solid rock, a type B earthing arrangement is recommended.

For structures with extensive electronic systems or with high risk of fire, type B earthing arrangement is preferable.

#### 5.4.4 Natural earth electrodes

Interconnected reinforcing steel in concrete foundations in accordance with 5.6, or other suitable underground metal structures, should preferably be used as an earth electrode. When the metallic reinforcement in concrete is used as an earth electrode, special care shall be exercised at the interconnections to prevent mechanical splitting of the concrete.

NOTE 1 In the case of pre-stressed concrete, consideration should be given to the consequences of the passage of lightning discharge currents which may produce unacceptable mechanical stresses.

NOTE 2 If a foundation earth electrode is used, a long-term increase in earthing resistance is possible.

NOTE 3 More extensive information on this topic is reported in Annex E.

### 5.5 Components

#### 5.5.1 General

Components of LPS shall withstand the electromagnetic effects of lightning current and predictable accidental stresses without being damaged. This can be achieved by choosing components that have successfully been tested in accordance with the future IEC 62561 series.

Components of an LPS shall be manufactured from the materials listed in Table 5 or from other materials with equivalent mechanical, electrical and chemical (corrosion) performance characteristics.

NOTE Components made of material other than metal may be used for fixing.

**Table 5 – LPS materials and conditions of use <sup>a</sup>**

Material	Use			Corrosion		
	In open air	In earth	In concrete	Resistance	Increased by	May be destroyed by galvanic coupling with
Copper	Solid Stranded	Solid Stranded As coating	Solid Stranded As coating	Good in many environments	Sulphur compounds Organic materials	–
Hot galvanized steel <sup>c, d, e</sup>	Solid Stranded <sup>b</sup>	Solid	Solid Stranded <sup>b</sup>	Acceptable in air, in concrete and in benign soil	High chlorides content	Copper
Steel with electro-deposited copper	Solid	Solid	Solid	Good in many environments	Sulphur compounds	
Stainless steel	Solid Stranded	Solid Stranded	Solid Stranded	Good in many environments	High chlorides content	–
Aluminium	Solid Stranded	Unsuitable	Unsuitable	Good in atmospheres containing low concentrations of sulphur and chloride	Alkaline solutions	Copper

Lead <sup>f</sup>	Solid As coating	Solid As coating	Unsuitable	Good in atmosphere with high concentration of sulphates	Acid soils	Copper Stainless steel
<p><sup>a</sup> This table gives general guidance only. In special circumstances, more careful corrosion immunity considerations are required (see Annex E).</p> <p><sup>b</sup> Stranded conductors are more vulnerable to corrosion than solid conductors. Stranded conductors are also vulnerable where they enter or exit earth/concrete positions. This is the reason why stranded galvanized steel is not recommended in earth.</p> <p><sup>c</sup> Galvanized steel may be corroded in clay soil or moist soil.</p> <p><sup>d</sup> Galvanized steel in concrete should not extend into the soil due to possible corrosion of the steel just outside the concrete.</p> <p><sup>e</sup> Galvanized steel in contact with reinforcement steel in concrete should not be used in coastal areas where there may be salt in the ground water.</p> <p><sup>f</sup> Use of lead in the earth is often banned or restricted due to environmental concerns.</p>						

### 5.5.2 Fixing

Air-terminations and down-conductors shall be firmly fixed so that the electrodynamic or accidental mechanical forces (for instance vibrations, slipping of slabs of snow, thermal expansion, etc.) will not cause conductors to break or loosen (see Annex D of IEC 62305-1:2010).

NOTE Recommended distances between fixings are reported in Table E.1.

### 5.5.3 Connections

The number of connections along the conductors shall be kept to a minimum. Connections shall be made secure by such means as brazing, welding, clamping, crimping, seaming, screwing or bolting.

To achieve this, connections of steelwork within reinforced concrete structures shall conform to 4.3 and shall comply with the requirements and tests according to IEC 62561-1.

## 5.6 Materials and dimensions

### 5.6.1 Materials

Material and its dimensions shall be chosen bearing in mind the possibility of corrosion either of the structure to be protected or of the LPS.

### 5.6.2 Dimensions

Configurations and minimum cross-sectional areas of air-termination conductors, air-termination rods and down-conductors are given in Table 6 and shall comply with the requirements and tests according to the future IEC 62561 series.

Configurations and minimum dimensions of earth electrodes are given in Table 7 and shall comply with the requirements and tests according to the future IEC 62561 series.

**Table 6 – Material, configuration and minimum cross-sectional area of air-termination conductors, air-termination rods, earth lead-in rods and down-conductors <sup>a</sup>**

Material	Configuration	Cross-sectional area mm <sup>2</sup>
Copper, Tin plated copper	Solid tape	50
	Solid round <sup>b</sup>	50
	Stranded <sup>b</sup>	50
	Solid round <sup>c</sup>	176
Aluminium	Solid tape	70
	Solid round	50
	Stranded	50
Aluminium alloy	Solid tape	50
	Solid round	50
	Stranded	50
	Solid round <sup>c</sup>	176
Copper coated aluminium alloy	Solid round	50
Hot dipped galvanized steel	Solid tape	50
	Solid round	50
	Stranded	50
	Solid round <sup>c</sup>	176
Copper coated steel	Solid round	50
	Solid tape	50
Stainless steel	Solid tape <sup>d</sup>	50
	Solid round <sup>d</sup>	50
	Stranded	70
	Solid round <sup>c</sup>	176
<sup>a</sup> Mechanical and electrical characteristics as well as corrosion resistance properties shall meet the requirements of the future IEC 62561 series. <sup>b</sup> 50 mm <sup>2</sup> (8 mm diameter) may be reduced to 25 mm <sup>2</sup> in certain applications where mechanical strength is not an essential requirement. Consideration should in this case, be given to reducing the spacing between the fasteners. <sup>c</sup> Applicable for air-termination rods and earth lead-in rods. For air-termination rods where mechanical stress such as wind loading is not critical, a 9,5 mm diameter, 1 m long rod may be used. <sup>d</sup> If thermal and mechanical considerations are important then these values should be increased to 75 mm <sup>2</sup> .		

**Table 7 – Material, configuration and minimum dimensions of earth electrodes <sup>a, e</sup>**

Material	Configuration	Dimensions		
		Earth rod diameter mm	Earth conductor mm <sup>2</sup>	Earth plate mm
Copper Tin plated copper	Stranded		50	
	Solid round	15	50	
	Solid tape		50	
	Pipe	20		
	Solid plate			500 × 500
	Lattice plate <sup>c</sup>			600 × 600
Hot dipped galvanized steel	Solid round	14	78	
	Pipe	25		
	Solid tape		90	
	Solid plate			500 × 500
	Lattice plate <sup>c</sup>			600 × 600
	Profile	<sup>d</sup>		
Bare steel <sup>b</sup>	Stranded		70	
	Solid round		78	
	Solid tape		75	
Copper coated steel	Solid round	14 <sup>f</sup>	50	
	Solid tape		90	
Stainless steel	Solid round	15 <sup>f</sup>	78	
	Solid tape		100	
<p><sup>a</sup> Mechanical and electrical characteristics as well as corrosion resistance properties shall meet the requirements of the future IEC 62561 series.</p> <p><sup>b</sup> Shall be embedded in concrete for a minimum depth of 50 mm.</p> <p><sup>c</sup> Lattice plate constructed with a minimum total length of the conductor of 4,8 m.</p> <p><sup>d</sup> Different profiles are permitted with a cross-section of 290 mm<sup>2</sup> and a minimum thickness of 3 mm, e.g. cross profile.</p> <p><sup>e</sup> In case of a type B arrangement foundation earthing system, the earth electrode shall be correctly connected at least every 5 m with the reinforcement steel.</p> <p><sup>f</sup> In some countries the diameter may be reduced to 12,7 mm.</p>				

## 6 Internal lightning protection system

### 6.1 General

The internal LPS shall prevent the occurrence of dangerous sparking within the structure to be protected due to lightning current flowing in the external LPS or in other conductive parts of the structure.

Dangerous sparking may occur between the external LPS and other components such as:

- metal installations;
- internal systems;
- external conductive parts and lines connected to the structure.



NOTE 1 Sparking occurring within the structure with danger of explosion is always dangerous. In this case additional protective measures are required which are under consideration (see Annex D).

NOTE 2 For protection against overvoltages of internal systems, refer to IEC 62305-4.

Dangerous sparking between different parts can be avoided by means of

- equipotential bonding in accordance with 6.2, or
- electrical insulation between the parts in accordance with 6.3.

## **6.2 Lightning equipotential bonding**

### **6.2.1 General**

Equipotentialization is achieved by interconnecting the LPS with

- metal installations,
- internal systems,
- external conductive parts and lines connected to the structure.

When lightning equipotential bonding is established to internal systems, part of the lightning current may flow into such systems and this effect shall be taken into account.

Interconnecting means can be

- bonding conductors, where the electrical continuity is not provided by natural bonding,
- surge protective devices (SPDs), where direct connections with bonding conductors are not feasible,
- isolating spark gaps (ISGs), where direct connections with bonding conductors are not allowed.

The manner in which lightning equipotential bonding is achieved is important and shall be discussed with the operator of the telecommunication network, the electric power, gas pipes operator, and other operators or authorities concerned, as there may be conflicting requirements.

SPDs shall be installed in such a way that they can be inspected.

NOTE 1 When an LPS is installed, metalwork external to the structure to be protected may be affected. This should be considered when designing such systems. Lightning equipotential bonding for external metalwork may also be necessary.

NOTE 2 Lightning equipotential bonding should be integrated and coordinated with other equipotential bonding in the structure.

### **6.2.2 Lightning equipotential bonding for metal installations**

In the case of an isolated external LPS, lightning equipotential bonding shall be established at ground level only.

For an external LPS which is not isolated, lightning equipotential bonding shall be installed at the following locations:

- a) in the basement or approximately at ground level. Bonding conductors shall be connected to a bonding bar constructed and installed in such a way that it allows easy access for inspection. The bonding bar shall be connected to the earth-termination system. For large structures (typically more than 20 m in length), a ring bonding bar may be used or more than one bonding bar can be installed, provided that they are interconnected;
- b) where insulation requirements are not fulfilled (see 6.3).

Lightning equipotential bonding connections shall be made as direct and straight as possible.

NOTE When lightning equipotential bonding is established to conducting parts of the structure, part of the lightning current may flow into the structure and this effect should be taken into account.

The minimum values of the cross-section of the bonding conductors connecting different bonding bars and of the conductors connecting the bars to the earth-termination system are listed in Table 8.

The minimum values of the cross-section of the bonding conductors connecting internal metal installations to the bonding bars are listed in Table 9.

**Table 8 – Minimum dimensions of conductors connecting different bonding bars or connecting bonding bars to the earth-termination system**

Class of LPS	Material	Cross-section mm <sup>2</sup>
I to IV	Copper	16
	Aluminium	25
	Steel	50

**Table 9 – Minimum dimensions of conductors connecting internal metal installations to the bonding bar**

Class of LPS	Material	Cross-section mm <sup>2</sup>
I to IV	Copper	6
	Aluminium	10
	Steel	16

If insulating pieces are inserted into gas lines or water pipes, inside the structure to be protected they shall, with the agreement of the water and gas supplier, be bridged by ISGs designed for such an operation.

ISGs shall be tested according to IEC 62561-3 and shall have the following characteristics:

- $I_{imp} \geq k_c I$  where  $k_c I$  is the lightning current flowing along the relevant part of the external LPS (see Annex C);
- rated impulse sparkover voltage  $U_{RIMP}$  lower than the impulse withstand level of insulation between parts.

### 6.2.3 Lightning equipotential bonding for external conductive parts

For external conductive parts, lightning equipotential bonding shall be established as near as possible to the point of entry into the structure to be protected.

Bonding conductors shall be capable of withstanding the part  $I_F$  of the lightning current flowing through them evaluated in accordance with Annex E of IEC 62305-1:2010.

If direct bonding is not acceptable, ISGs with the following characteristics shall be used.

ISGs shall be tested according to IEC 62561-3 and shall have the following characteristics:

- $I_{imp} \geq I_F$  where  $I_F$  is the lightning current flowing along the considered external conductive part (see Annex E of IEC 62305-1:2010);
- the rated impulse sparkover voltage  $U_{RIMP}$  lower than the impulse withstand level of insulation between parts.

NOTE When equipotential bonding is required, but an LPS is not required, the earth-termination of the low-voltage electrical installation can be used for this purpose. IEC 62305-2 provides information on the conditions where an LPS is not required.

#### 6.2.4 Lightning equipotential bonding for internal systems

It is imperative that lightning equipotential bonding is installed in accordance with 6.2.2 a) and 6.2.2 b).

If cables of internal systems are screened or located in metal conduits, it may be sufficient to bond only these screens and conduits (see Annex B).

NOTE Bonding of screens and conduits may not avoid failure due to overvoltages of equipment connected to the cables. For protection of such equipment refer to IEC 62305-4.

If cables of internal systems are neither screened nor located in metal conduits, they shall be bonded via SPDs. In TN systems, PE and PEN conductors shall be bonded to the LPS directly or with an SPD.

Bonding conductors shall have the same current withstand as indicated in 6.2.2 for ISGs.

SPDs shall comply with IEC 61643-1 and IEC 61643-21 and shall have the following characteristics:

- tested with  $I_{imp} \geq k_c I$  where  $k_c I$  is the lightning current flowing along the relevant part of the external LPS (see Annex C);
- the protection level  $U_P$  lower than the impulse withstand level of insulation between parts.

If protection of internal systems against surges is required, a coordinated SPD system conforming to the requirements of Clause 7 of IEC 62305-4:2010 shall be used.

#### 6.2.5 Lightning equipotential bonding for lines connected to the structure to be protected

Lightning equipotential bonding for electrical and telecommunication lines shall be installed in accordance with 6.2.3.

All the conductors of each line should be bonded directly or with an SPD. Live conductors shall only be bonded to the bonding bar via an SPD. In TN systems, PE or PEN conductors shall be bonded directly or via an SPD to the bonding bar.

If lines are screened or routed into metal conduits, these screens and conduits shall be bonded. Lightning equipotential bonding for conductors is not necessary, provided that the cross-section  $S_C$  of these screens or conduits is not lower than the minimum value  $S_{C_{MIN}}$  evaluated in accordance with Annex B.

Lightning equipotential bonding of the cable screens or of the conduits shall be performed near the point where they enter the structure.

Bonding conductors shall have the same current withstand as indicated in 6.2.3 for ISGs.

SPDs shall comply with IEC 61643-1 and IEC 61643-21 and shall have the following characteristics:

- tested with  $I_{imp} \geq I_F$  where  $I_F$  is the lightning current flowing along the lines (see Annex E of IEC 62305-1:2010);
- the protection level  $U_P$  lower than the impulse withstand level of insulation between parts.

If protection against surges of internal systems connected to lines entering the structure is required, a coordinated SPD system conforming to the requirements of Clause 7 of IEC 62305-4:2010 shall be used.

NOTE When equipotential bonding is required, but an LPS is not required, the earth-termination of the low-voltage electrical installation can be used for this purpose. IEC 62305-2 provides information on the conditions where an LPS is not required.

**6.3 Electrical insulation of the external LPS**

**6.3.1 General**

Electrical insulation between the air-termination or the down-conductor and the structural metal parts, the metal installations and the internal systems can be achieved by providing a separation distance, *s*, between the parts. The general equation for the calculation of *s* is given by:

$$s = \frac{k_i}{k_m} \times k_c \times l \quad (\text{m}) \tag{4}$$

where

- k<sub>i</sub>* depends on the selected class of LPS (see Table 10);
- k<sub>m</sub>* depends on the electrical insulation material (see Table 11);
- k<sub>c</sub>* depends on the (partial) lightning current flowing on the air-termination and the down-conductor(see Table 12 and Annex C);
- l* is the length, in metres, along the air-termination and the down-conductor from the point where the separation distance is to be considered, to the nearest equipotential bonding point or the earth termination (see E.6.3 of Annex E).

NOTE The length *l* along the air-termination can be disregarded in structures with continuous metal roof acting as natural air-termination system.

**Table 10 – Isolation of external LPS – Values of coefficient *k<sub>i</sub>***

Class of LPS	<i>k<sub>i</sub></i>
I	0,08
II	0,06
III and IV	0,04

**Table 11 – Isolation of external LPS – Values of coefficient *k<sub>m</sub>***

Material	<i>k<sub>m</sub></i>
Air	1
Concrete, bricks, wood	0,5
NOTE 1 When there are several insulating materials in series, it is a good practice to use the lower value for <i>k<sub>m</sub></i> .	
NOTE 2 In using other insulating materials, construction guidance and the value of <i>k<sub>m</sub></i> should be provided by the manufacturer.	

In the case of the lines or external conductive parts entering the structure, it is always necessary to ensure lightning equipotential bonding (by direct connection or connection by SPD) at their point of entry into the structure.

In structures with metallic or electrically continuous connected reinforced concrete framework a separation distance is not required.

The coefficient  $k_c$  of the lightning current amongst the air-terminations/down-conductors depends on the class of LPS, on the overall number  $n$ , on the position of the down-conductors, on the interconnecting ring conductors and on the type of earth-termination system. The necessary separation distance depends on the voltage drop of the shortest path from the point where the separation distance is to be considered, to the ground electrode or the nearest equipotential bonding point.

### 6.3.2 Simplified approach

In typical structures for the application of Equation (4), the following conditions have to be considered:

$k_c$  depends on the (partial) lightning current flowing on the down-conductor arrangement (see Table 12 and Annex C);

$l$  is the vertical length, in metres, along the down-conductor, from the point where the separation distance is to be considered, to the nearest equipotential bonding point.

**Table 12 – Isolation of external LPS – Approximated values of coefficient  $k_c$**

Number of down-conductors $n$	$k_c$
1 (only in case of an isolated LPS)	1
2	0,66
3 and more	0,44
NOTE Values of Table 12 apply for all type B earthing arrangements and for type A earthing arrangements, provided that the earth resistance of neighbouring earth electrodes do not differ by more than a factor of 2. If the earth resistances of single earth electrodes differ by more than a factor of 2, $k_c = 1$ is to be assumed.	

Further information on partitioning of the lightning current amongst down-conductors is given in Annex C.

NOTE The simplified approach usually leads to results being on the safe side.

### 6.3.3 Detailed approach

In an LPS with a meshed air-termination system or interconnected ring conductors, the air-terminations or down-conductors have different values of current flowing down their lengths due to current division. In these cases a more accurate evaluation of the separation distance,  $s$ , may be performed by the following relationship:

$$s = \frac{k_i}{k_m} \times (k_{c1} \times l_1 + k_{c2} \times l_2 + \dots + k_{cn} \times l_n) \quad (5)$$

When the air-terminations or down-conductors have different values of current flowing down their lengths due to interconnecting ring conductors, Figures C.4 and C.5 apply.

NOTE 1 This approach is suitable for evaluation of the separation distance in very large structures or in structures with complex shape.

NOTE 2 For the calculation of the coefficients,  $k_c$  on the individual conductors, numerical network programs may be used.

## 7 Maintenance and inspection of an LPS

### 7.1 General

The effectiveness of any LPS depends on its installation, maintenance, and testing methods used.

Inspections, testing and maintenance shall not be conducted during threat of thunderstorms.

NOTE Detailed information on the inspection and maintenance of LPS are provided in Clause E.7.

## **7.2 Application of inspections**

The objective of the inspections is to ascertain that

- a) the LPS conforms to the design based on this standard,
- b) all components of the LPS are in good condition and capable of performing their designed functions, and that there is no corrosion,
- c) any recently added services or constructions are incorporated into the LPS.

## **7.3 Order of inspections**

Inspections should be made according to 7.2 as follows:

- during the construction of the structure, in order to check the embedded electrodes;
- after the installation of the LPS;
- periodically at such intervals as determined with regard to the nature of the structure to be protected, i.e. corrosion problems and the class of LPS;  
NOTE For detailed information see Clause E.7.
- after alterations or repairs, or when it is known that the structure has been struck by lightning.

During the periodic inspection, it is particularly important to check the following:

- deterioration and corrosion of air-termination elements, conductors and connections;
- corrosion of earth electrodes;
- earthing resistance value for the earth-termination system;
- condition of connections, equipotential bonding and fixings.

## **7.4 Maintenance**

Regular inspections are among the fundamental conditions for reliable maintenance of an LPS. The property owner shall be informed of all observed faults and they shall be repaired without delay.

# **8 Protection measures against injury to living beings due to touch and step voltages**

## **8.1 Protection measures against touch voltages**

In certain conditions, the vicinity of the down-conductors of an LPS, may be hazardous to life even if the LPS has been designed and constructed according to the above-mentioned requirements.

The hazard is reduced to a tolerable level if one of the following conditions is fulfilled:

- a) under normal operation conditions there are no persons within 3 m from the down-conductors;
- b) a system of at least 10 down-conductors complying with 5.3.5 is employed;
- c) the contact resistance of the surface layer of the soil, within 3 m of the down-conductor, is not less than 100 k $\Omega$ .

NOTE A layer of insulating material, e.g. asphalt, of 5 cm thickness (or a layer of gravel 15 cm thick) generally reduces the hazard to a tolerable level.

If none of these conditions is fulfilled, protection measures shall be adopted against injury to living beings due to touch voltages as follows:

- insulation of the exposed down-conductor is provided giving a 100 kV, 1,2/50  $\mu$ s impulse withstand voltage, e.g. at least 3 mm cross-linked polyethylene;
- physical restrictions and/or warning notices to minimize the probability of down-conductors being touched.

Protection measures shall conform to the relevant standards (see ISO 3864-1).

## **8.2 Protection measures against step voltages**

In certain conditions, the vicinity of the down-conductors may be hazardous to life even if the LPS has been designed and constructed according to the above-mentioned rules.

The hazard is reduced to a tolerable level if one of the following conditions is fulfilled:

- a) under normal operation conditions there are no persons within 3 m from the down-conductors;
- b) a system of at least 10 down-conductors complying with 5.3.5 is employed;
- c) the contact resistance of the surface layer of the soil, within 3 m of the down-conductor, is not less than 100 k $\Omega$ .

NOTE A layer of insulating material, e.g. asphalt, of 5 cm thickness (or a layer of gravel 15 cm thick) generally reduces the hazard to a tolerable level.

If none of these conditions is fulfilled, protection measures shall be adopted against injury to living beings due to step voltages as follows:

- equipotentialization by means of a meshed earth-termination system;
- physical restrictions and/or warning notices to minimize the probability of access to the dangerous area, within 3 m of the down-conductor.

Protection measures shall conform to the relevant standards (see ISO 3864-1).

## Annex A (normative)

### Positioning the air-termination system

#### A.1 Positioning the air-termination system when utilizing the protection angle method

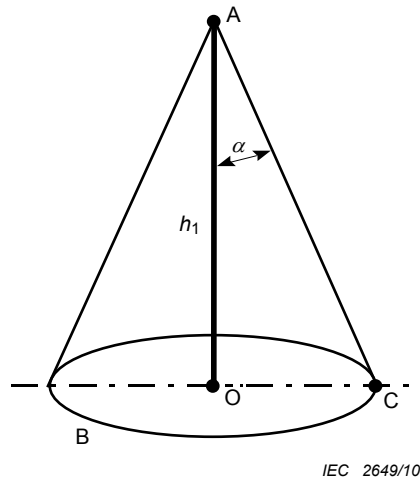
##### A.1.1 General

The position of the air-termination system is considered to be adequate if the structure to be protected is fully situated within the protected volume provided by the air-termination system.

For the determination of the volume protected, only the real physical dimensions of the metal air-termination systems shall be considered.

##### A.1.2 Volume protected by a vertical rod air-termination system

The volume protected by a vertical rod is assumed to have the shape of a right circular cone with the vertex placed on the air-termination axis, semi-apex angle  $\alpha$ , depending on the class of LPS, and on the height of the air-termination system as given in Table 2. Examples of the protected volume are given in Figures A.1 and A.2.

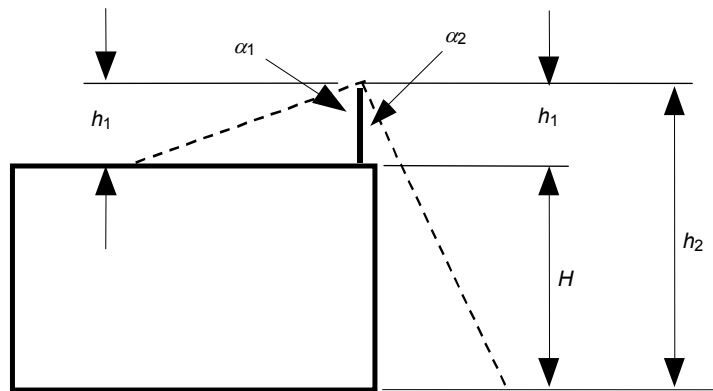


#### Key

- A tip of an air-termination rod
- B reference plane
- OC radius of protected area
- $h_1$  height of an air-termination rod above the reference plane of the area to be protected
- $\alpha$  protection angle according to Table 2

**Figure A.1 – Volume protected by a vertical air-termination rod**





IEC 2650/10

**Key**

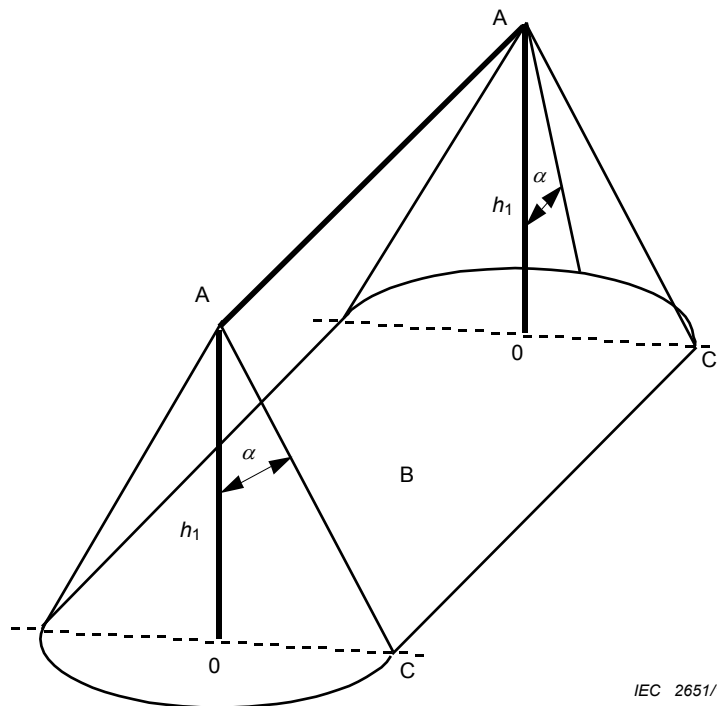
$h_1$  physical height of an air-termination rod

NOTE The protection angle  $\alpha_1$  corresponds to the air-termination height  $h_1$ , being the height above the roof surface to be protected; the protection angle  $\alpha_2$  corresponds to the height  $h_2 = h_1 + H$  the ground being the reference plane;  $\alpha_1$  is related to  $h_1$  and  $\alpha_2$  is related to  $h_2$ .

**Figure A.2 – Volume protected by a vertical air-termination rod**

**A.1.3 Volume protected by a wire air-termination system**

The volume protected by a wire is defined by the composition of the volume protected by virtual vertical rods having vertexes on the wire. Examples of the protected volume are given in Figure A.3.



IEC 2651/10

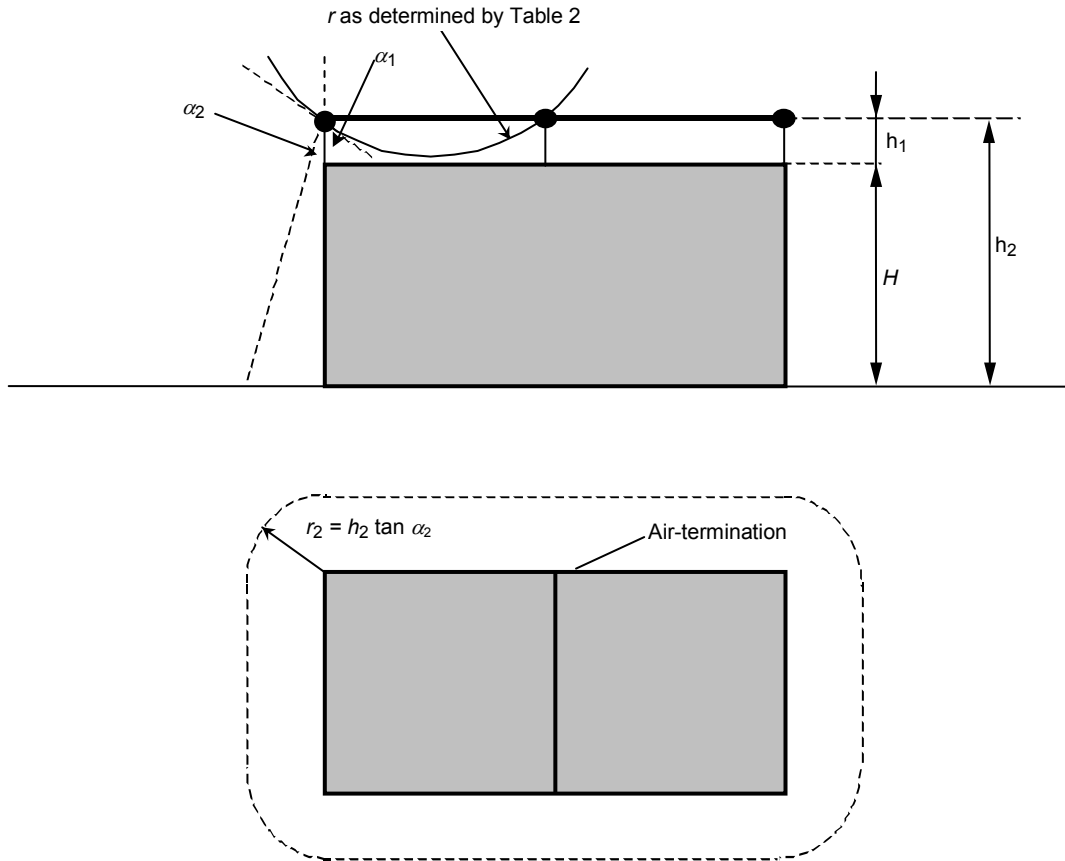
NOTE See Figure A.1 for key.

**Figure A.3 – Volume protected by a wire air-termination system**

### A.1.4 Volume protected by wires combined in a mesh

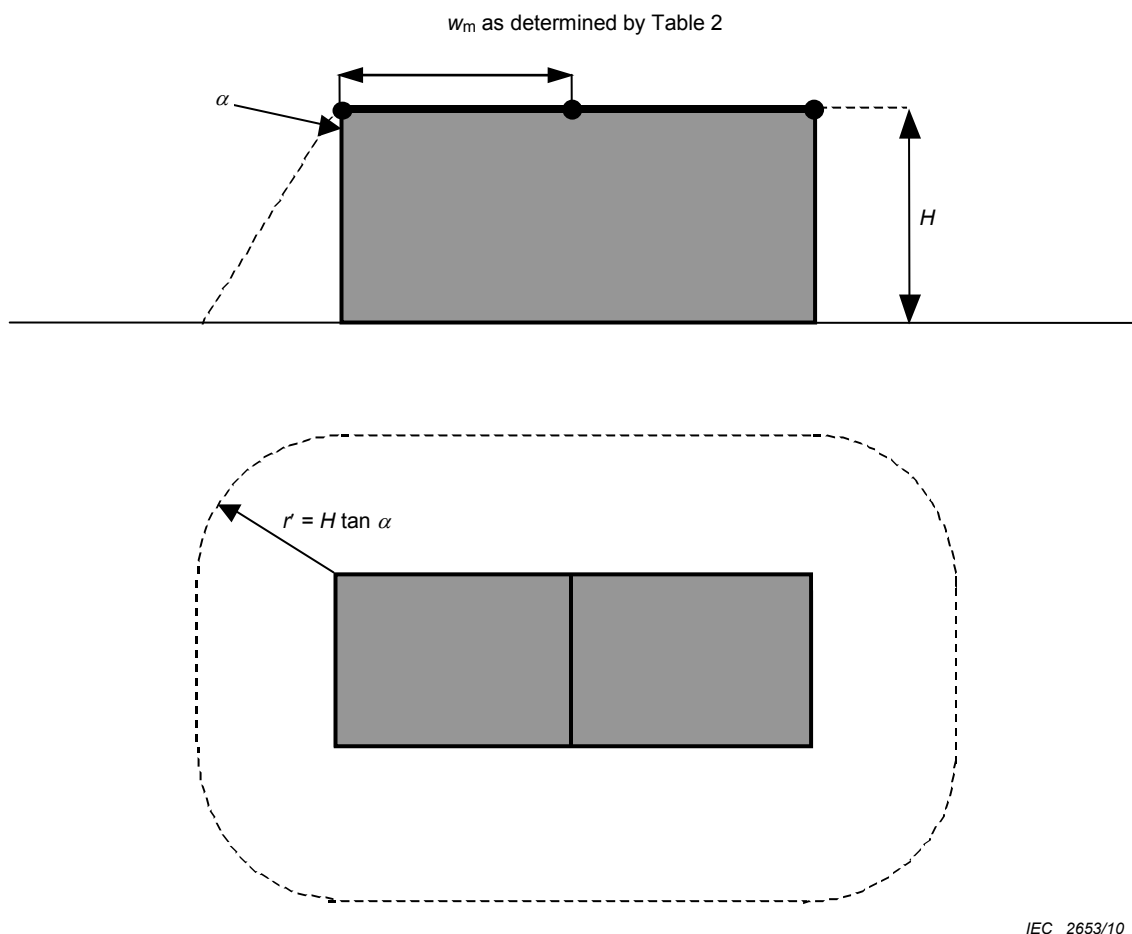
The volume protected by wires combined in a mesh is defined by a combination of the protected volume determined by the single conductors forming the mesh.

Examples of the volume protected by wires combined in a mesh is given in Figures A.4 and A.5.



IEC 2652/10

**Figure A.4 – Volume protected by isolated wires combined in a mesh according to the protection angle method and rolling sphere method**



IEC 2653/10

**Figure A.5 – Volume protected by non-isolated wires combined in a mesh according to the mesh method and the protection angle method**

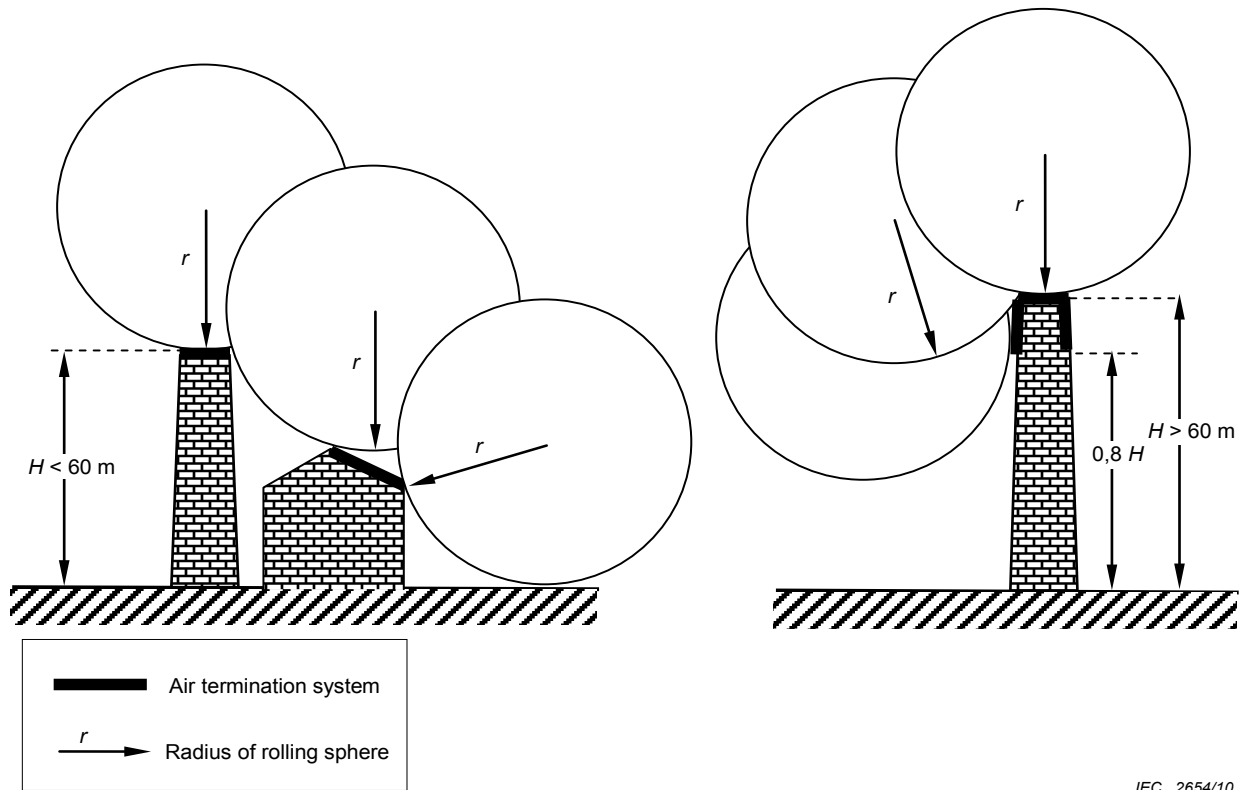
## A.2 Positioning of the air-termination system utilizing the rolling sphere method

Applying this method, the positioning of the air-termination system is adequate if no point of the structure to be protected comes into contact with a sphere with radius,  $r$ , depending on the class of LPS (see Table 2), rolling around and on top of the structure in all possible directions. In this way, the sphere only touches the air-termination system (see Figure A.6).

On all structures higher than the rolling sphere radius,  $r$ , flashes to the side of structure may occur. Each lateral point of the structure touched by the rolling sphere is a possible point of strike. However, the probability for flashes to the sides is generally negligible for structures lower than 60 m.

For taller structures, the major part of all flashes will hit the top, horizontal leading edges and corners of the structure. Only a few per cent of all flashes will be to the side of the structure.

Moreover, observation data show that the probability of flashes to the sides decreases rapidly as the height of the point of strike on tall structures when measured from the ground. Therefore consideration should be given to install a lateral air-termination system on the upper part of tall structures (typically the top 20 % of the height of the structure). In this case the rolling sphere method will be applied only to the positioning of the air-termination system of the upper part of the structure.



IEC 2654/10

NOTE The rolling sphere radius,  $r$ , should comply with the selected class of LPS (see Table 2).

**Figure A.6 – Design of an air-termination system according to the rolling sphere method**

### A.3 Positioning of the air-termination system utilizing the mesh method

For the purposes of protecting flat surfaces, a mesh is considered to protect the whole surface, dependent upon all of the following conditions being fulfilled:

- a) Air-termination conductors are positioned
  - on roof edge lines,
  - on roof overhangs,
  - on roof ridge lines, if the slope of the roof exceeds 1/10.

NOTE 1 The mesh method is suitable for horizontal and inclined roofs with no curvature.

NOTE 2 The mesh method is suitable for flat lateral surfaces to protect against side flashes.

NOTE 3 If the slope of the roof exceeds 1/10, parallel air-termination conductors, instead of a mesh, may be used provided the distance between the conductors is not greater than the required mesh width.

- b) The mesh dimensions of the air-termination network are not greater than the values given in Table 2.
- c) The network of the air-termination system is constructed in such a way that the lightning current will always encounter at least two distinct metal routes to earth-termination.
- d) No metal installation protrudes outside the volume protected by air-termination systems.

NOTE 4 Further information can be found in Annex E.

- e) The air-termination conductors follow, as far as possible, the shortest and most direct route.

## Annex B (normative)

### Minimum cross-section of the entering cable screen in order to avoid dangerous sparking

The overvoltages between the active conductors and the screen of a cable may cause dangerous sparking due to the lightning current carried by the screen. The overvoltages depend on the material, the dimensions of the screen, and the length and positioning of the cable.

The minimum value  $S_{\text{CMIN}}$  (in mm<sup>2</sup>) of the cross-sectional area of the screen to avoid dangerous sparking is given by:

$$S_{\text{CMIN}} = (I_{\text{F}} \times \rho_{\text{C}} \times L_{\text{C}} \times 10^6) / U_{\text{W}} \quad (\text{mm}^2) \quad (\text{B.1})$$

where

$I_{\text{F}}$  is the current flowing on the screen, in kA;

$\rho_{\text{C}}$  is the resistivity of the screen, in  $\Omega\text{m}$ ;

$L_{\text{C}}$  is the cable length, in m (see Table B.1);

$U_{\text{W}}$  is the impulse withstand voltage of the electrical/electronic system fed by the cable, in kV.

**Table B.1 – Cable length to be considered according to the condition of the screen**

Condition of the screen	$L_{\text{C}}$
In contact with a soil with resistivity $\rho$ ( $\Omega\text{m}$ )	$L_{\text{C}} \leq 8 \times \sqrt{\rho}$
Insulated from the soil or in air	$L_{\text{C}}$ is the distance between the structure and the closest earthing point of the screen

NOTE It should be ascertained whether an unacceptable temperature rise for the insulation of the line could occur when the lightning current flows along the line shield or the line conductors. For detailed information, see IEC 62305-4.

The limits of the current are given:

– for copper shielded cables, by  $I_{\text{F}} = 8 \times S_{\text{C}}$ ; and

– for unshielded cables, by  $I_{\text{F}} = 8 \times n' \times S'_{\text{C}}$

where

$I_{\text{F}}$  is the current on the screen, in kA;

$n'$  is the number of conductors;

$S_{\text{C}}$  is the cross-section of the screen, in mm<sup>2</sup>;

$S'_{\text{C}}$  is the cross-section of each conductor, in mm<sup>2</sup>.

**Annex C**  
(informative)

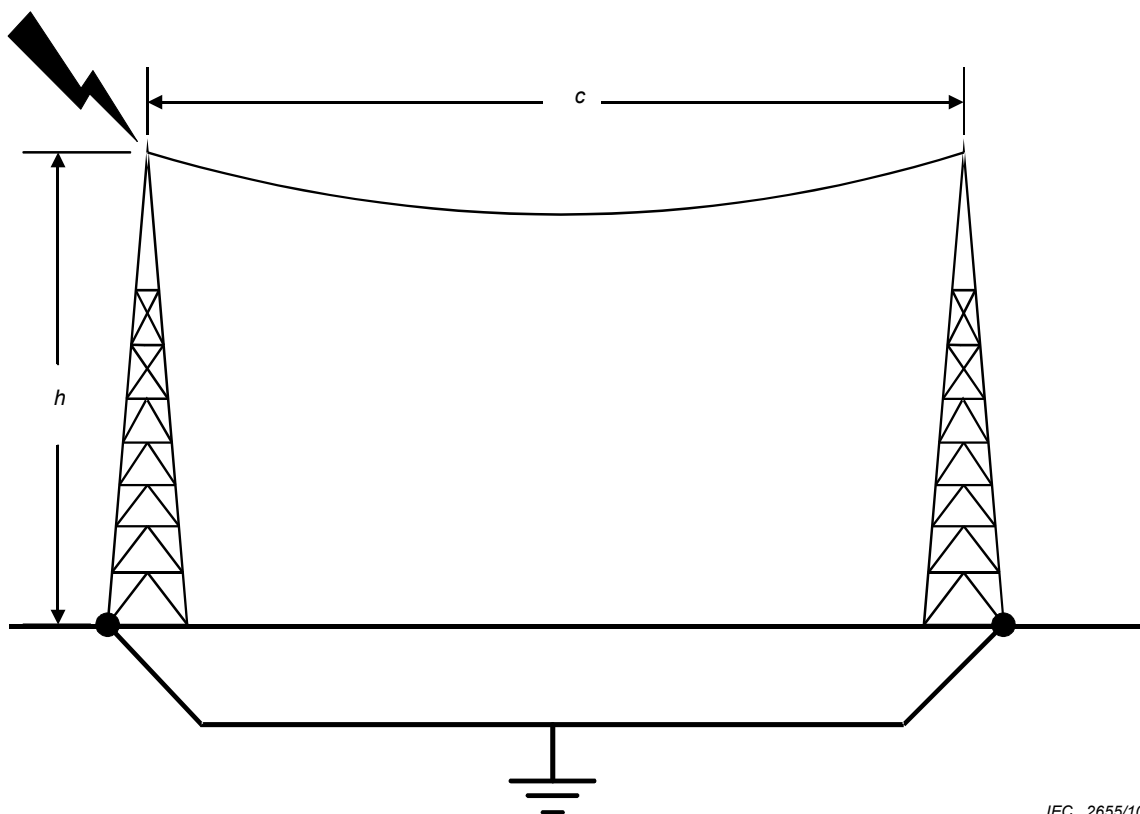
**Evaluation of the separation distance  $s$**

The partitioning coefficient  $k_c$  of the lightning current amongst the air-terminations/down-conductors depends on the type of air-termination system, on the overall number,  $n$ , and on the position of the down-conductors and on the interconnecting ring conductors, and on the type of earth-termination system.

NOTE 1 The necessary separation distance depends on the voltage drop of the shortest path from the point where the separation distance is to be considered, to the nearest equipotential bonding point.

NOTE 2 The information in this annex applies for all type B earthing arrangements and for type A earthing arrangements, provided that the earth resistance of neighbouring earth electrodes do not differ by more than a factor of 2. If the earth resistances of single earth electrodes differ by more than a factor of 2,  $k_c = 1$  is to be assumed.

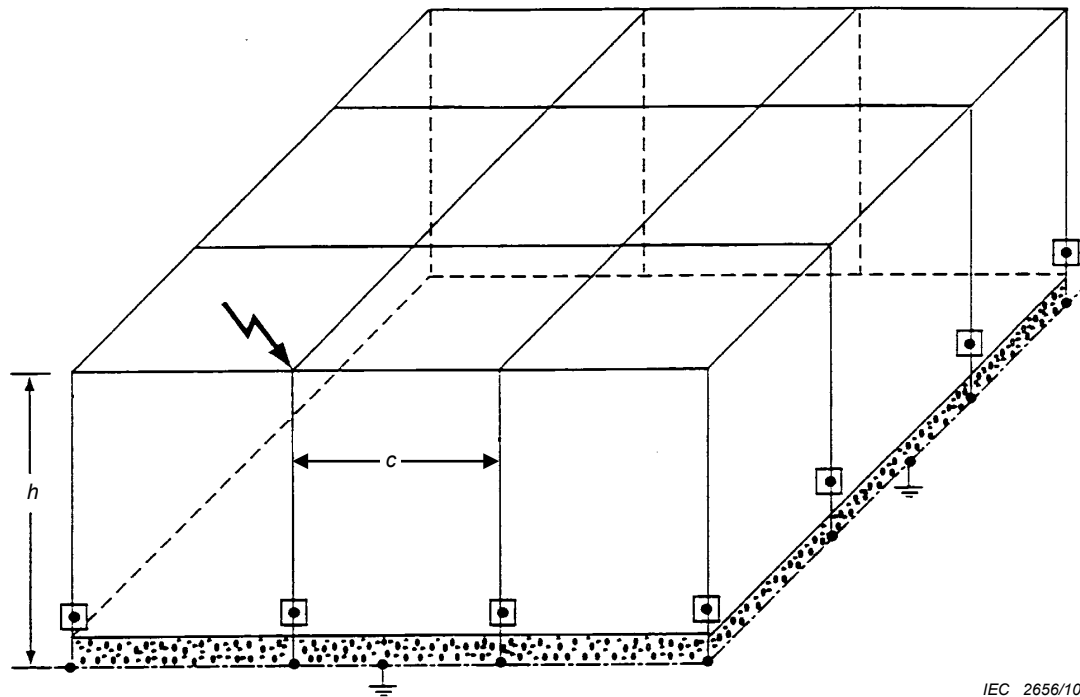
When the air-terminations or down-conductors have the constant value of current flowing over the lengths of the conductors, Figures C.1, C.2 and C.3 apply (see 6.3.2: Simplified approach).



IEC 2655/10

$$k_c = \frac{h + c}{2h + c}$$

**Figure C.1 – Values of coefficient  $k_c$  in the case of a wire air-termination system**



$$k_c = \frac{1}{2n} + 0,1 + 0,2 \times 3 \sqrt{\frac{c}{h}}$$

#### Key

- $n$  total number of down-conductors  
 $c$  distance of a down-conductor to the next down-conductor  
 $h$  spacing (or height) between ring conductors

NOTE 1 The equation for  $k_c$  is an approximation for cubic structures and for  $n \geq 4$ . The values of  $h$  and  $c$  are assumed to be in the range of 3 m to 20 m.

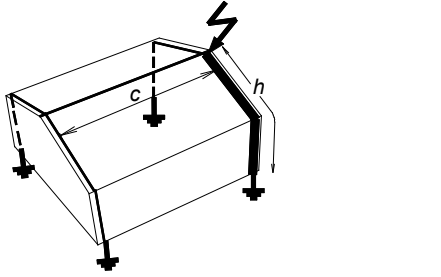
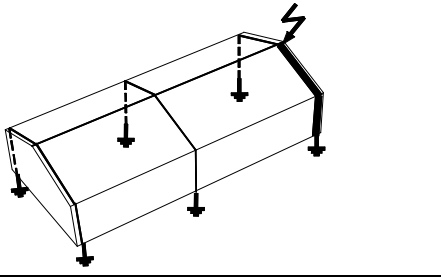
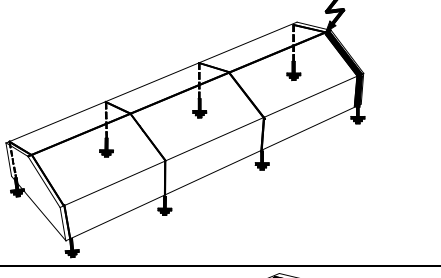
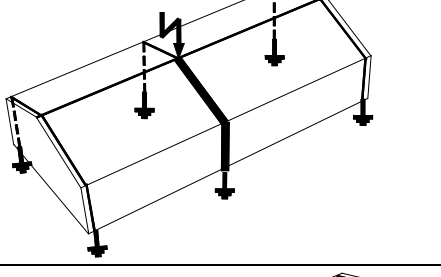
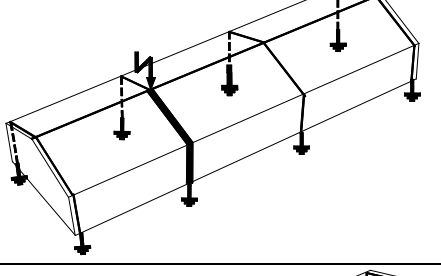
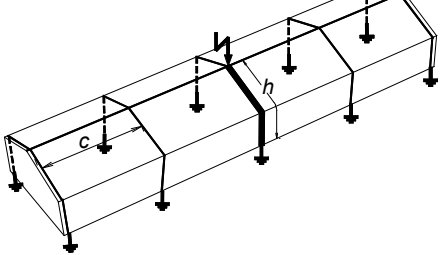
NOTE 2 If internal down-conductors exist, they should be taken into account in the number  $n$ .

**Figure C.2 – Values of coefficient  $k_c$  in the case of multiple down-conductors system**

	$\frac{c}{h}$	0,33	0,50	1,00	2,00	
	$k_c$	0,57	0,60	0,66	0,75	<p><i>c</i> Distance from the nearest down-conductor along the ridge</p> <p><i>h</i> Length of the down-conductor from the ridge to the next equipotential bonding point or to the earth-termination system</p> <p>The values of <math>k_c</math>, shown in the table, refer to the down-conductors represented by a thick line and a strike point</p> <p>The location of the down-conductor (to be considered for <math>k_c</math>) is to be compared with the figure representative for that down-conductor</p> <p>The actual relation <math>c/h</math> is to be determined. If this relation ranges between two values in the columns, <math>k_c</math> may be found by interpolation</p> <p>NOTE 1 Additional down-conductors with more distance than illustrated in the figures are of insignificant influence</p> <p>NOTE 2 In case of inter-connecting ring-conductors below the ridge see Figure C.4</p> <p>NOTE 3 The values are determined by simple calculation of parallel impedances following the formula of Figure C.1</p>
	$k_c$	0,47	0,52	0,62	0,73	
	$k_c$	0,44	0,50	0,62	0,73	
	$k_c$	0,40	0,43	0,50	0,60	
	$k_c$	0,35	0,39	0,47	0,59	
	$k_c$	0,31	0,35	0,45	0,58	

Figure C.3 (continued overleaf)



	$k_c$	0,31	0,33	0,37	0,41
	$k_c$	0,28	0,33	0,37	0,41
	$k_c$	0,27	0,33	0,37	0,41
	$k_c$	0,23	0,25	0,30	0,35
	$k_c$	0,21	0,24	0,29	0,35
	$k_c$	0,20	0,23	0,29	0,35

IEC 2108/05

Figure C.3 – Values of coefficient  $k_c$  in the case of a sloped roof with air-termination on the ridge

$$d_a \geq s_a = \frac{k_i}{k_m} \times k_{c1} \times l_a$$

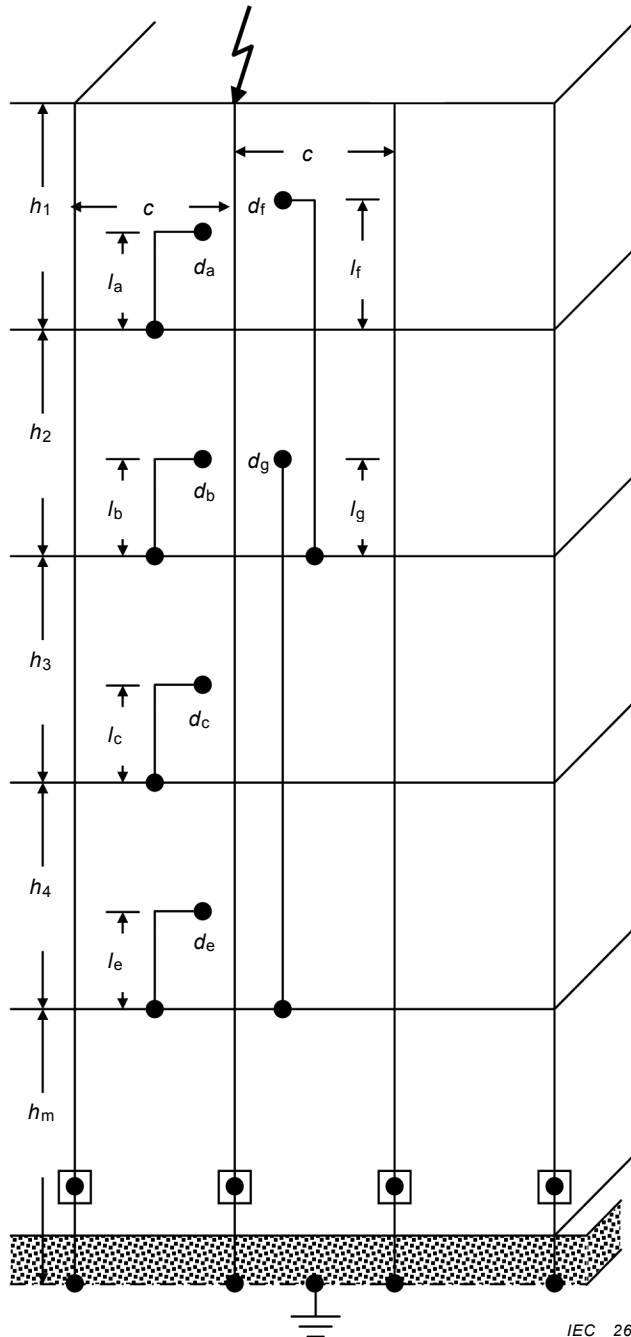
$$d_b \geq s_b = \frac{k_i}{k_m} \times k_{c2} \times l_b$$

$$d_c \geq s_c = \frac{k_i}{k_m} \times k_{c3} \times l_c$$

$$d_e \geq s_e = \frac{k_i}{k_m} \times k_{c4} \times l_e$$

$$d_f \geq s_f = \frac{k_i}{k_m} \times (k_{c1} \times l_f + k_{c2} \times h_2)$$

$$d_g \geq s_g = \frac{k_i}{k_m} \times (k_{c2} \times l_g + k_{c3} \times h_3 + k_{c4} \times h_4)$$



$$k_{c1} = \frac{1}{2n} + 0,1 + 0,2 \times 3 \sqrt{\frac{c}{h_1}}$$

$$k_{c2} = \frac{1}{n} + 0,1$$

$$k_{c3} = \frac{1}{n} + 0,01$$

$$k_{c4} = \frac{1}{n}$$

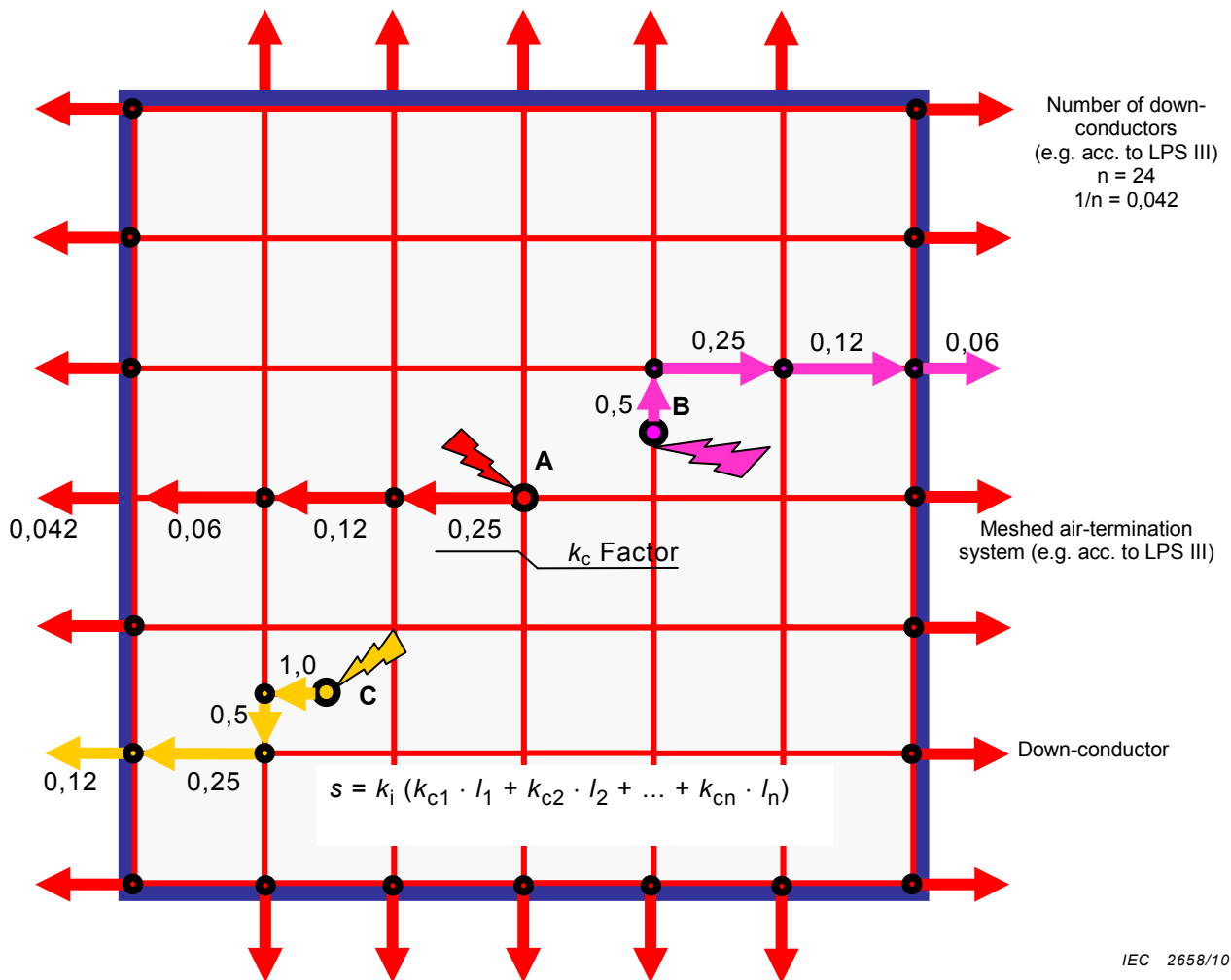
$$k_{cm} = k_{c4} = \frac{1}{n}$$

**Key**

- n* total number of down-conductors
- c* spacing between down-conductors
- h* spacing (height) between ring conductors
- m* total number of levels
- d* distance to the nearest down-conductor
- l* height above the bonding point

NOTE If internal down-conductors exist, they should be taken into account in the number *n*.

**Figure C.4 – Examples of calculation of the separation distance in the case of multiple down-conductors with an interconnecting ring of the down-conductors at each level**



### Key

A, B, C injection points

NOTE 1 Rules for current partitioning:

a) Injection point

Current is divided by the number of possible current paths at the injection point into the meshed air-termination system.

b) Further junctions (joints)

Current is reduced by 50 % at any further joint of the air-termination mesh.

c) Down-conductor

Current is again reduced by 50 %, but the value of  $k_c$  must not be less than  $1/n$ .

(n ... total number of down-conductors)

NOTE 2 Values of  $k_c$  have to be considered from the point of strike to the edge of the roof. The path along the roof edge to the down-conductor does not need to be considered. The values of  $k_c$  along the down-conductors depend on the value of  $k_c$  of the connected air-termination at the edge of the roof.

NOTE 3 As shown above, if there are fewer meshes from the point of strike to the edge of the roof, only the relevant values of  $k_c$ , beginning from the point where the proximity distance is to be considered, have to be used.

NOTE 4 If internal down-conductors exist, they should be taken into account in evaluating the number n.

**Figure C.5 – Values of coefficient  $k_c$  in the case of a meshed air-termination system, with a multiple down-conductors system**

## **Annex D** (normative)

### **Additional information for LPS in the case of structures with a risk of explosion**

#### **D.1 General**

This annex supplies additional requirements for the design, construction, extension and modification of lightning protection systems for structures with a risk of explosion.

NOTE Information provided in this annex is based on practically proven configurations of lightning protection systems installed in applications where a danger of explosion exists. The authority having jurisdiction may give other requirements.

#### **D.2 Additional terms and definitions**

In addition to the terms and definitions of Clause 3, the terms and definitions of IEC 60079-14:2007, as well as the following terms and definitions, are applicable to this annex.

##### **D.2.1**

##### **solid explosive material**

solid chemical compound, mixture, or device with explosion as its primary or common purpose

##### **D.2.2**

##### **zone 0**

place in which an explosive atmosphere consisting of a mixture of air and flammable substances in the form of gas, vapour or mist is present continuously or for long periods or frequently

[IEC 60050-426:2008, 426-03-03, modified] <sup>[4]</sup>

##### **D.2.3**

##### **zone 1**

place in which an explosive atmosphere consisting of a mixture of air and flammable substances in the form of gas, vapour or mist is likely to occur in normal operation occasionally

[IEC 60050-426:2008, 426-03-04, modified] <sup>[4]</sup>

##### **D.2.4**

##### **zone 2**

place in which an explosive atmosphere consisting of a mixture of air and flammable substances in the form of gas, vapour or mist is not likely to occur in normal operation but, if it does occur, will persist for a short period only

NOTE 1 In this definition, the word "persist" means the total time for which the flammable atmosphere will exist. This will normally comprise the total of the duration of the release, plus the time taken for the flammable atmosphere to disperse after the release has stopped.

NOTE 2 Indications of the frequency of the occurrence and duration may be taken from codes relating to specific industries or applications.

[IEC 60050-426:2008, 426-03-05, modified] <sup>[4]</sup>

**D.2.5  
zone 20**

place in which an explosive atmosphere, in the form of a cloud of combustible dust in air, is present continuously, or for long periods, or frequently

[IEC 60079-10-2:2009, 6.2, modified]

**D.2.6  
zone 21**

place in which an explosive atmosphere in the form of a cloud of combustible dust in air, is likely to occur in normal operation occasionally

[IEC 60079-10-2:2009, 6.2, modified]

**D.2.7  
zone 22**

place in which an explosive atmosphere in the form of a cloud of combustible dust in air is not likely to occur in normal operation but, if it does occur, will persist for a short period only

[IEC 60079-10-2:2009, 6.2, modified]

**D.3 Basic requirements****D.3.1 General**

The lightning protection system shall be designed and installed in such a manner that, in case of a direct lightning flash, there are no melting or spraying effects except at the striking point.

NOTE 1 Sparks or damaging impact at the striking point may also be experienced. This should be taken into consideration in the determination of air-termination device locations. Down-conductors should be installed in such a way that the auto-ignition temperature given by the source of the relative hazardous area are not exceeded in those applications where it is not possible to install down-conductors outside of the hazardous area.

NOTE 2 Due to a lightning stroke, an impact on electrical equipment cannot be avoided in every case.

**D.3.2 Required information**

The lightning protection system installer/designer shall be provided with drawings of the plant(s) to be protected, with the areas in which solid explosive material will be handled or stored or hazardous areas according to IEC 60079-10-1 and IEC 60079-10-2 appropriately marked.

**D.3.3 Earthing**

A type B arrangement for the earth-termination system, according to 5.4.2.2, is preferred for all lightning protection systems for structures with danger of explosion.

NOTE The construction of a structure may provide the effective equivalent of the ring conductor of type B arrangement (for example metallic storage tanks).

The earthing resistance of earth-termination systems for structures containing solid explosive materials and explosive mixtures shall be as low as possible and not greater than 10  $\Omega$ .

**D.3.4 Equipotential bonding**

Common equipotential bonding shall be provided for the lightning protection system according to 6.2 and for installations in explosion endangered areas according to IEC 60079-10-1 and IEC 60079-10-2.

## **D.4 Structures containing solid explosive material**

The design of lightning protection for structures containing solid explosive material shall take into consideration the sensitivity of the material in the configuration in which it is used or stored. For instance, some insensitive bulk explosive material may not require any additional consideration other than those contained within this annex. However, there are some configurations of sensitive explosive materials that may be sensitive to rapidly changing electrical fields and/or radiated by lightning impulsive electromagnetic field. It may be necessary to establish additional bonding or shielding requirements for such applications.

For structures containing solid explosive materials, an isolated external LPS (as defined in 5.1.2) is encouraged. Structures totally contained within a metallic shell of at least 5 mm thickness steel or equivalent (7 mm for aluminium structures) may be considered protected by a natural air-termination system as defined by 5.2.5. The earthing requirements of 5.4 are applicable for such structures.

**NOTE** Where hot spot or ignition problems may arise, it should be verified that the temperature rise of the inner surface at the point of strike does not constitute a danger.

Surge protective devices (SPDs) shall be provided as part of the LPS for all locations where explosive material is present. Where practicable, SPDs shall be positioned outside locations where solid explosive material is present. SPDs positioned inside locations where exposed explosives or explosive dust is present shall be of explosion-proof type.

## **D.5 Structures containing hazardous areas**

### **D.5.1 General**

All parts of the external LPS (air-termination and down-conductors) shall be at least 1 m away from a hazardous area, where possible. Where this is not possible, conductors passing within a hazardous zone should preferably be continuous or connections shall be made in accordance with 5.5.3.

Accidental loosening of connections in hazardous areas shall be prevented.

Where a hazardous area is located directly under a metal sheet that may be punctured by lightning (see 5.2.5) air-termination shall be provided in accordance with the requirements of 5.2.

#### **D.5.1.1 Surge suppression**

Surge protective devices shall be positioned outside the hazardous area where practicable. Surge protective devices positioned inside the hazardous area shall be approved for the hazardous area in which they are installed.

#### **D.5.1.2 Equipotential bonding**

Beside connections according to Tables 7 and 8, piping, which is connected so that it is electrically conductive according to 5.3.5, may also be used as connections.

Above ground metal piping outside process units shall be earthed at least every 30 m. Connections to piping shall be of such a kind that, in the instance of a lightning current passage, there is no sparking. Suitable connections to piping are welded-on lugs or bolts or tap holes in the flanges for taking up screws. Connections by means of clips are only allowed if, in the instance of lightning currents, ignition protection is proved by tests and procedures are utilized to ensure the reliability of the connection. Junctions shall be provided for the joining of connections and earthing leads to containers, metal construction parts, drums and tanks.

Lightning equipotential bonding connections between the lightning protection system and other installations/structures/equipment will be carried out with the agreement of the system operator. Lightning equipotential bonding connections utilizing spark gaps may not be made without the agreement of the system operator. Such devices shall be suitable for the environment in which they are installed.

#### **D.5.2 Structures containing zones 2 and 22**

Structures where areas defined as zones 2 and 22 exist may not require supplemental protection measures.

For outdoor facilities made of metal (e.g. columns, reactors, containers with areas containing zones 2 and 22) of thickness and material meeting the requirements of Table 3, the following applies:

- air-termination devices and down-conductors are not required;
- facilities shall be earthed according to Clause 5.

#### **D.5.3 Structures containing zones 1 and 21**

For structures where areas defined as zones 1 and 21 exist, the requirements for zones 2 and 22 apply with the following additions:

- if there are insulation pieces in piping, the operator shall determine the protective measures. For instance, a disruptive discharge can be avoided by the use of explosion-protected, isolating spark gaps;
- the isolating spark gaps and the insulation pieces shall be inserted outside the hazardous areas.

#### **D.5.4 Structures containing zones 0 and 20**

For structures where areas defined as zones 0 and 20 exist, the requirements of D.5.3 apply, supplemented by the recommendations given in this clause, as applicable.

For outdoor facilities with areas defined as zones 0 and 20, the requirements for zones 1, 2, 21 and 22 apply with the following additions:

- electrical equipment inside tanks containing flammable liquids shall be suitable for this use. Measures for lightning protection shall be taken according to the type of construction;
- closed metal containers with areas defined as zones 0 and 20 inside shall have a wall thickness in accordance with Table 3 at the possible lightning striking points provided that the temperature rise of the inner surface at the point of strike does not constitute a danger. In the case of thinner walls, air-termination devices shall be installed.

#### **D.5.5 Specific applications**

##### **D.5.5.1 Filling stations**

At filling stations for cars, ships, etc., with hazardous areas, the metal piping shall be earthed according to Clause 5. Piping shall be connected with steel constructions and rails, where existing (if necessary via isolating spark gaps approved for the hazardous area in which it is installed), to take into account railway currents, stray currents, electrical train fuses, cathodic-corrosion-protected systems and the like.

##### **D.5.5.2 Storage tanks**

Certain types of structures used for the storage of liquids that can produce flammable vapours or used to store flammable gases are essentially self-protecting (contained totally within

continuous metallic containers having a thickness of not less than 5 mm of steel or 7 mm of aluminium, with no spark gaps) and require no additional protection provided that the temperature rise of the inner surface at the point of strike does not constitute a danger.

Similarly, soil-covered tanks and piping do not require the installation of air-termination devices. Instrumentation or electrics used inside this equipment shall be approved for this service. Measures for lightning protection shall be taken according to the type of construction.

The tanks in tank farms (for example refineries and tank stores) the earthing of every tank at one point only is sufficient. The tanks shall be connected with each other. Besides connections according to Tables 8 and 9, piping which is connected so that it is electrically conductive according to 5.3.5, may also be used as connections.

NOTE In some countries additional requirements may exist.

Isolated tanks or containers shall be earthed according to Clause 5, depending on the greatest horizontal dimension ( diameter or length):

- up to 20 m, once;
- over 20 m, twice.

In the case of floating-roof tanks, the floating-roof shall be effectively bonded to the main tank shell. The design of the seals and shunts and their relative locations needs to be carefully considered so that the risk of any ignition of a possible explosive mixture by incendiary sparking is reduced to the lowest level practicable. When a rolling ladder is fitted, a flexible bonding conductor of 35 mm width and minimum thickness of 3 mm shall be applied across the ladder hinges, between the ladder and the top of the tank and between the ladder and the floating roof. When a rolling ladder is not fitted to the floating-roof tank, one or more, (depending on the size of the tank), flexible bonding conductors of 35 mm width and minimum thickness of 3 mm, or equivalent, shall be applied between the tank shell and the floating roof. The bonding conductors shall be arranged so that they cannot form a re-entrant loop. On floating roof tanks, multiple shunt connections shall be provided between the floating-roof and the tank shell at about 1,5 m intervals around the roof periphery. Material selection is decided by product and/or environmental requirements. Alternative means of providing an adequate conductive connection between the floating roof and tank shell for impulse currents associated with lightning discharges are only allowed if proved by tests and if procedures are utilized to ensure the reliability of the connection.

#### **D.5.5.3 Piping network**

Above-ground metal piping network inside a production facility but outside the process units should be connected every 30 m with the earthing system, or should be earthed by a surface earth electrode or an earth rod. Isolating supports of the piping should not be considered.

### **D.6 Maintenance and inspection**

#### **D.6.1 General**

All installed LPS used to protect structures with risk of explosion shall be properly maintained and inspected. Additional requirements to those reported in Clause 7 are needed for the inspection and maintenance of LPS in structures with a risk of explosion.

#### **D.6.2 General requirements**

A maintenance and inspection plan shall be developed for the installed protection systems. Maintenance guidelines of the LPS shall be provided or added to the existing schedule at the completion of LPS installation.



### **D.6.3 Qualifications**

Only qualified personnel having the necessary training and expertise shall be permitted to maintain, inspect and test the LPS system of explosives facilities.

Inspection requires personnel who

- a) have technical knowledge and understanding of the theoretical and practical requirements for installation in hazardous areas and for LPS equipment and installations,
- b) understand the requirements of visual and complete inspections as they relate to the installed LPS equipment and installations.

NOTE Competencies and training may be identified in relevant national training and assessment frameworks.

### **D.6.4 Inspection requirements**

To ensure that the installations are maintained in a satisfactory condition for continued use, either

- a) regular periodic inspections, and/or
- b) continuous supervision by skilled personnel,

and, where necessary, maintenance shall be carried out.

Following any adjustment, maintenance, repair, reclamation, modification or replacement, the equipment or relevant parts of equipment concerned shall be inspected.

#### **D.6.4.1 Regular periodic inspections**

The personnel who carry out the regular periodic inspections will need to be sufficiently independent of the demands of the maintenance activities, for example, so as not to prejudice their ability to reliably report the findings of the inspection.

NOTE It is not a requirement that such personnel are members of an external independent organization.

#### **D.6.4.2 Concept of continuous supervision by skilled personnel**

The objective of continuous supervision is to enable the early detection of arising faults and their subsequent repair. It makes use of existing skilled personnel who are in attendance at the installation in the course of their normal work (e.g. erection work, alterations, inspections, maintenance work, checking for faults, cleaning work, control operations, making terminal connections and disconnections, functional tests, measurements) and who use their skill to detect faults and changes at an early stage.

Where an installation is visited on a regular basis, in the normal course of work, by skilled personnel who, in addition to satisfying the requirements of a) and b) of D.6.3, are

- a) aware of the process and the environmental implications on the deterioration of the specific equipment in the installation, and
- b) required to carry out visual and/or complete inspections as part of their normal work schedule as well as detailed inspections,

then it may be possible to dispense with regular periodic inspection and utilize the frequent presence of the skilled personnel to ensure the on-going integrity of the equipment.

The use of continuous supervision by skilled personnel does not remove the requirement for initial and sample inspections.

#### **D.6.5 Electrical testing requirements**

The lightning protection system shall be tested electrically

- a) every 12 (+ 2) months, or
- b) to predict accurately an appropriate periodic inspection interval is a complex issue. The grade of inspection and the interval between periodic inspections shall be determined taking account of the type of equipment, manufacturer's guidance, if any, the factors governing its deterioration and the results of previous inspections.

Where inspection grades and intervals have been established for similar equipment, plants and environments, this experience shall be used in determining the inspection strategy.

Intervals between periodic inspections exceeding three years should be based on an assessment including relevant information.

Maintenance and inspection of the LPS should be carried out together with maintenance and inspection of all other electrical installations in hazardous areas and shall be incorporated into the maintenance schedule.

Instruments used for testing shall be in accordance with IEC 61557-4.

The DC resistance of any single object bonded to the lightning protection system shall not exceed 0,2  $\Omega$ .

The test shall be conducted in accordance with the appropriate test equipment manufacturer's instructions.

#### **D.6.6 Earthing resistance test methods**

Only those instruments designed specifically for earth resistance testing shall be permitted for use in this application.

Test instruments shall be properly maintained and calibrated in accordance with manufacturer's instructions.

If possible, a three-point earth resistance test method shall be used to measure the resistance to earth for explosives facilities.

#### **D.6.7 Surge protection**

Lightning surge protection devices (and their means of isolation, if provided) shall be inspected in accordance with manufacturer's instruction at intervals not exceeding 12 months or whenever electrical testing of the LPS is performed. SPDs shall also be inspected after any suspected lightning strike to the structure.

#### **D.6.8 Repairs**

Maintenance personnel shall ensure that repairs of all discrepancies found during inspections are made in an acceptable time frame.

#### **D.6.9 Records and documentation**

Any indication of damage produced by a lightning strike to a structure or its LPS shall be immediately documented and reported.

Historical records of maintenance and inspections shall be maintained for each facility for the purpose of trend analysis.

## **Annex E** (informative)

### **Guidelines for the design, construction, maintenance and inspection of lightning protection systems**

#### **E.1 General**

This annex provides guidance on the physical design and construction, maintenance and inspection of an LPS conforming to this standard.

This annex should be used and is only valid together with other parts of this standard.

Examples are given of protection techniques which have the approval of international experts.

NOTE The examples given in this annex illustrate one possible method of achieving protection. Other methods may be equally valid.

#### **E.2 Structure of this annex**

In this annex the main clause numbers mirror the clause numbers of the main document. This gives an easy reference between the two parts. Not all clauses are necessarily mirrored.

To achieve this goal, Clause E.3 is not used in this annex.

#### **E.3 Vacant**

#### **E.4 Design of lightning protection systems (LPS)**

##### **E.4.1 General remarks**

The construction of an LPS for an existing structure should always be weighed against other measures of lightning protection conforming to this standard which give the same protection level for reduced costs. For selection of the most suitable protection measures, IEC 62305-2 applies.

The LPS should be designed and installed by LPS designers and installers.

The designer and installer of an LPS should be capable of assessing both the electrical and mechanical effects of the lightning discharge and be familiar with the general principles of electromagnetic compatibility (EMC).

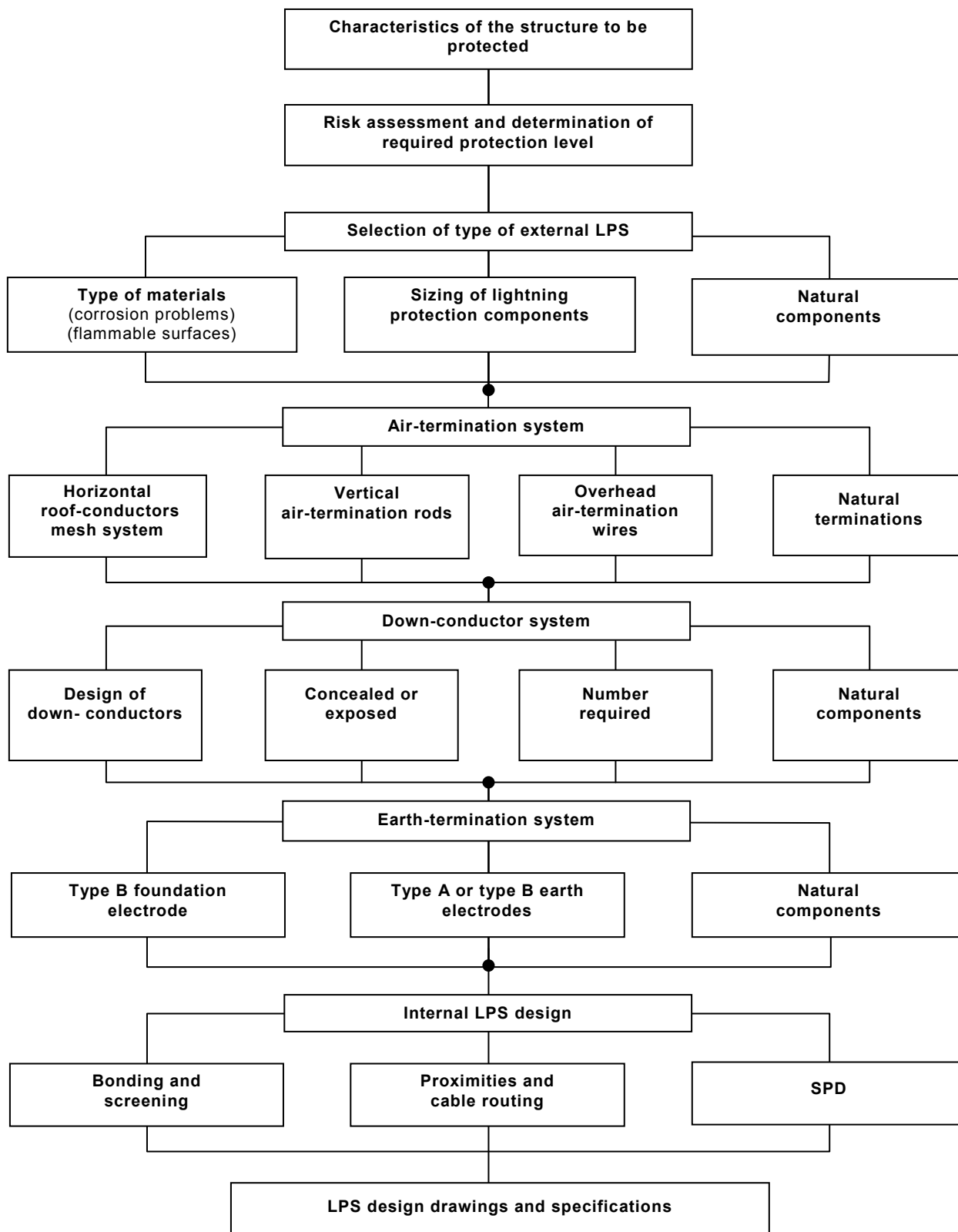
Furthermore, the lightning protection designer should be capable of assessing corrosion effects and judging when it is necessary to seek expert assistance.

The lightning protection designer and installer should be trained in the proper design and installation of the LPS components in accordance with the requirements of this standard and the national rules regulating construction work and the building of structures.

The functions of an LPS designer and installer may be performed by the same person. A thorough knowledge of the relevant standards and several years of experience is required to become a specialized designer or installer.

Planning, implementation and testing of an LPS encompasses a number of technical fields and makes demands for coordination by all parties involved with the structure to ensure the achievement of the selected lightning protection level with minimum cost and lowest possible effort. The management of the LPS should be efficient if the steps in Figure E.1 are followed. Quality assurance measures are of great importance; in particular for structures including extensive electrical and electronic installations.

www.TeraStandard.com



IEC 2659/10

NOTE Interfaces ● require the full cooperation of the architect, engineer and lightning protection designer.

**Figure E.1 – LPS design flow diagram**

The quality assurance measures extend from the planning stage, in which all drawings should be approved, through the LPS construction stage during which all essential parts of the LPS inaccessible for inspection after the construction works have been finished should be checked. Quality assurance measures continue through the acceptance stage, when final measurements on the LPS should be performed together with the completion of the final test documentation and finally through the entire lifetime of the LPS, by specifying careful periodic inspections in accordance with the maintenance programme.

Where modifications are made to a structure or its installations, a check should be made to determine whether the existing lightning protection still conforms to this standard. If it is found that the protection is inadequate, improvements should be implemented without delay.

It is recommended that the materials, extent and dimensions of the air-termination system, down-conductors, earth-termination system, bonding, components, etc. should conform to this standard.

## **E.4.2 Design of the LPS**

### **E.4.2.1 Planning procedure**

Before any detailed design work on the LPS is commenced, the lightning protection designer should, where reasonably practical, obtain basic information regarding the function, general design, construction and location of the structure.

Where the LPS has not already been specified by the licensing authority, insurer or purchaser, the lightning protection designer should determine whether or not to protect the structure with an LPS by following the procedures for risk assessment given in IEC 62305-2.

### **E.4.2.2 Consultation**

#### **E.4.2.2.1 General information**

In the design and construction stages of a new structure, the LPS designer, LPS installer and all other persons responsible for installations in the structure or for regulations pertaining to the use of the structure (e.g. purchaser, architect and builder) should be in consultation regularly.

The flow diagram given in Figure E.1 will facilitate the rational design of an LPS.

In the design and construction stages of an LPS for an existing structure, consultations should be held as far as reasonably practical with the persons responsible for the structure, its use, installations and incoming services.

The consultations may have to be arranged through the owner, the building contractor of the structure or their appointed representative. For existing structures, the LPS designer should provide drawings which should be modified by the LPS installer, where necessary.

Regular consultations between the involved parties should result in an effective LPS at the lowest possible cost. For example, the coordination of LPS design work with construction work will often do away with the need for some bonding conductors and reduce the length of those which are necessary. Building costs are often reduced substantially by the provision of common routes for various installations within a structure.

Consultation is important throughout all stages of the construction of a structure as modifications to the LPS may be required due to changes in the structure design. Consultation is also necessary so that arrangements can be agreed to facilitate inspection of the parts of the LPS which will become inaccessible for visual control after the structure is completed. In these consultations, the location of all connections between natural

components and the LPS should be determined. Architects are normally available to arrange and coordinate consultation meetings for new building projects.

#### **E.4.2.2.2 The principal consulting parties**

The lightning protection designer should hold relevant technical consultations with all parties involved in the design and construction of the structure, including the owner of the structure.

Particular areas of responsibility for the total installation of the LPS should be defined by the LPS designer in conjunction with the architect, electrical contractor, building contractor, the LPS installer (LPS supplier) and, where relevant, an historical adviser and the owner or owner's representative.

The clarification of responsibility for the various parties involved in the management of the design and construction of the LPS is of particular importance. An example might be where the waterproofing of the structure is punctured by roof-mounted LPS components or by earth electrode connection conductors made below the structure foundation.

##### **E.4.2.2.2.1 Architect**

Agreement should be reached with the architect on the following items:

- a) routing of all LPS conductors;
- b) materials for LPS components;
- c) details of all metal pipes, gutters, rails and similar items;
- d) details of any equipment, apparatus, plant installations, etc. to be installed on, within or near the structure which may require the moving of installations or may require bonding to the LPS because of the separation distance. Examples of installations are alarm systems, security systems, internal telecommunication systems, signal and data processing systems, radio and TV circuits;
- e) the extent of any buried conductive service which could affect the positioning of the earth-termination network and be required to be placed at a safe distance from the LPS;
- f) the general area available for the earth-termination network;
- g) the extent of the work and the division of responsibility for primary fixings of the LPS to the structure. For example, those affecting the water tightness of the fabric (chiefly roofing), etc;
- h) conductive materials to be used in the structure, especially any continuous metal which may have to be bonded to the LPS, for example stanchions, reinforcing steel and metal services either entering, leaving, or within the structure;
- i) the visual impact of the LPS;
- j) the impact of the LPS on the fabric of the structure;
- k) the location of the connection points to the reinforcing steel, especially where they penetrate external conductive parts (pipes, cable shields, etc.);
- l) the connection of the LPS to the LPS of adjacent buildings.

##### **E.4.2.2.2.2 Public utilities**

Bonding of incoming services to the LPS directly or, if this is not possible, through isolating spark gaps or SPD, should be discussed with the operator or authorities concerned, as there may be conflicting requirements.

##### **E.4.2.2.2.3 Fire and safety authorities**

Agreement should be reached with the fire and safety authorities on the following items:

- the positioning of alarm and fire extinguishing system components;

- routes, construction material and sealing of ducts;
- the method of protection to be used in the case of a structure with a flammable roof.

#### **E.4.2.2.2.4 Electronic system and external antenna installers**

Agreement with the electronic system and antenna installer should be reached on the following items:

- the isolating or bonding of aerial supports and conductive shields of cables to the LPS;
- the routing of aerial cables and internal network;
- installation of surge protective devices.

#### **E.4.2.2.2.5 Builder and installer**

Agreement on the following items should be reached between the builder, installer and those responsible for construction of the structure and its technical equipment:

- a) the form, position and number of primary fixings of the LPS to be provided by the builder;
- b) any fixings provided by the LPS designer (or the LPS contractor or the LPS supplier) to be installed by the builder;
- c) the position of LPS conductors to be placed beneath the structure;
- d) whether any components of the LPS are to be used during the construction phase, for example the permanent earth-termination network could be used for earthing cranes, hoists and other metallic items during construction work on the site;
- e) for steel-framed structures, the number and position of stanchions and the form of fixing to be made for the connection of earth-terminations and other components of the LPS;
- f) whether metal coverings, where used, are suitable as components of the LPS;
- g) the method of ensuring the electrical continuity of the individual parts of the coverings and their method of connecting them to the rest of the LPS where metal coverings are suitable as components of the LPS;
- h) the nature and location of services entering the structure above and below ground including conveyor systems, television and radio aerials and their metal supports, metal flues and window cleaning gear;
- i) coordination of the structure's LPS earth-termination system with the bonding of power and communication services;
- j) the position and number of flag masts, roof-level plant rooms, for example lift motor rooms, ventilation, heating and air-conditioning plant rooms, water tanks and other salient features;
- k) the construction to be employed for roofs and walls in order to determine appropriate methods of fixing LPS conductors, specifically with a view to maintaining the water-tightness of the structure;
- l) the provision of holes through the structure to allow free passage of LPS down-conductors;
- m) the provision of bonding connections to steel frames, reinforcement bars and other conductive parts of the structure;
- n) the frequency of inspection of LPS components which will become inaccessible, for example steel reinforcing bars encapsulated in concrete;
- o) the most suitable choice of metal for the conductors taking account of corrosion, especially at the point of contact between dissimilar metals;
- p) accessibility of test joints, provision of protection by non-metallic casings against mechanical damage or pilferage, lowering of flag masts or other movable objects, facilities for periodic inspection especially for chimneys;



- q) the preparation of drawings incorporating the above details and showing the positions of all conductors and main components;
- r) the location of the connection points to the reinforcing steel.

### **E.4.2.3 Electrical and mechanical requirements**

#### **E.4.2.3.1 Electrical design**

The LPS designer should select the appropriate LPS to obtain the most efficient construction. This means consideration of the architectural design of the structure to determine whether an isolated or non-isolated LPS, or a combination of both types of lightning protection, should be used.

Soil resistivity tests should be performed preferably prior to finalizing the design of an LPS and should take into consideration the seasonal variations of soil resistivity.

During the completion of the basic electrical design of the LPS, the use of suitable conductive parts of the structure should be considered as natural components of the LPS to enhance or act as essential components of the LPS.

It is the responsibility of the LPS designer to evaluate the electrical and physical properties of natural components of the LPS and to ensure that they conform to the minimum requirements of this standard.

The use of metal reinforcing, such as steel-reinforced concrete, as lightning protection conductors requires careful consideration, and knowledge of the national construction standards applicable to the structure to be protected. The steel skeleton of reinforced concrete may be used as LPS conductors or may be used as a conductive shielding layer to reduce the electromagnetic fields generated by lightning in the structure as the lightning currents are conducted through an isolated LPS. This LPS design makes protection easier, in particular for special structures containing extensive electrical and electronic installations.

A stringent construction specification for down-conductors is required in order to meet the minimum requirements for natural components given in 5.3.5.

#### **E.4.2.3.2 Mechanical design**

The lightning protection designer should consult with the persons responsible for the structure on mechanical design matters following the completion of the electrical design.

Aesthetic considerations are particularly important as well as the correct selection of materials to limit the risk of corrosion.

The minimum size of lightning protection components for the various parts of the LPS are listed in Tables 3, 6, 7, 8 and 9.

The materials used for the LPS components are listed in Table 5.

NOTE For selection of other components, such as rods and clamps, reference may be made to the future IEC 62561 series. This will ensure that temperature rise and mechanical strength of such components are taken into account.

Where deviations are made from the dimensions and materials specified in Tables 5, 6 and 7, using the lightning discharge electrical parameters specified for the selected class of LPS given in Table 1, the lightning protection designer or installer should predict the temperature rise of lightning conductors under discharge conditions and dimension the conductors accordingly.

When excessive temperature rise is a concern for the surface on which the components are to be attached (because it is flammable or has a low melting point), either larger conductor cross-sections should be specified or other safety precautions should be considered, such as the use of stand-off fittings or the insertion of fire-resistant layers.

The LPS designer should identify all corrosion problem areas and specify appropriate measures.

The corrosion effects on the LPS may be reduced either by increases in material size, by using corrosion resistive components, or by taking other corrosion protection measures.

The LPS designer and LPS installer should specify conductor fasteners and fixtures which will withstand the electrodynamic forces of lightning current in the conductors and also allow for the expansion and contraction of conductors due to the increase in temperature that occurs.

This could be achieved by using components tested according to the future IEC 62561 series.

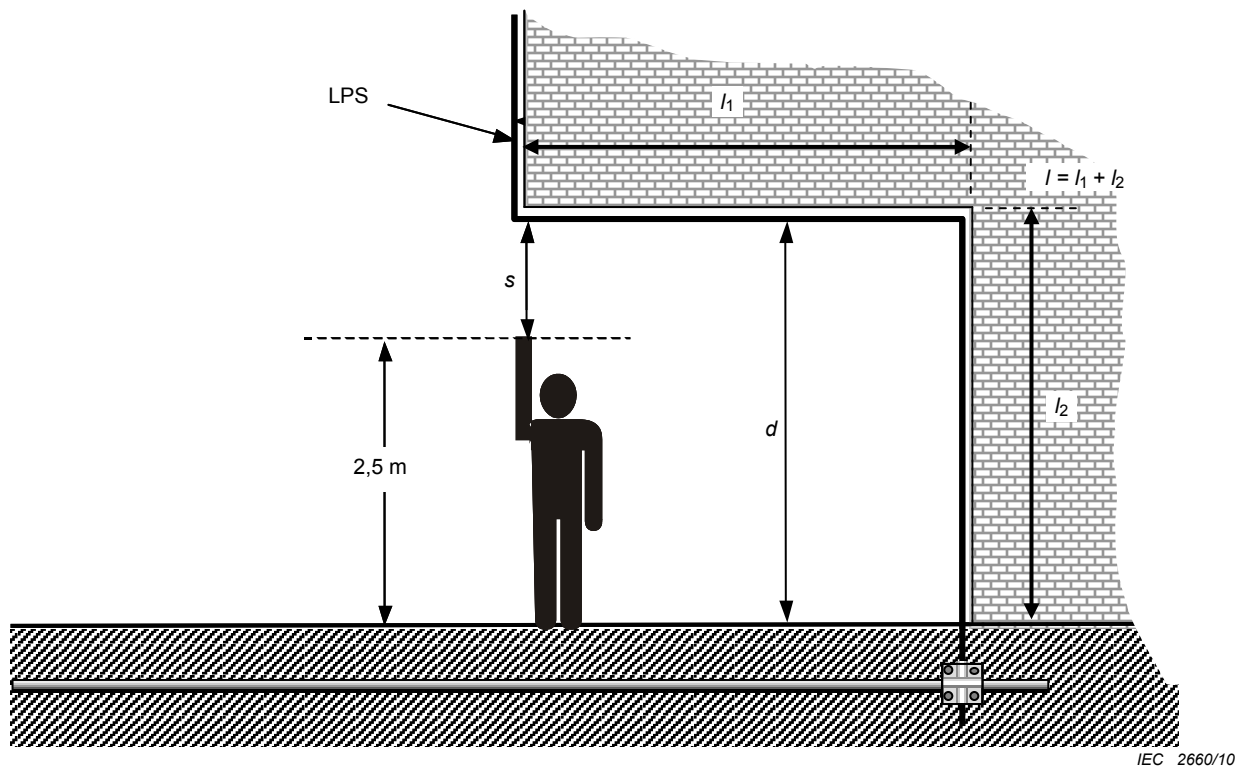
#### **E.4.2.3.3 Structure with a cantilevered part**

To reduce the probability of a person standing under a cantilevered construction from becoming an alternate path for lightning current flowing in the down-conductor running on the cantilevered wall, the actual distance,  $d$ , in metres should satisfy the following condition:

$$d > 2,5 + s \quad (\text{E.1})$$

where  $s$  is the separation distance in metres calculated in accordance with 6.3.

The value 2,5 is representative of the height at the tips of a man's fingers when he stretches his arm vertically (see Figure E.2).



IEC 2660/10

**Key**

- d* actual distance > *s*  
*s* separation distance according to 6.3  
*l* length for the evaluation of separation distance *s*

NOTE The height of the person with raised hand is taken to be 2,5 m.

**Figure E.2 – LPS design for a cantilevered part of a structure**

Loops in a conductor as shown in Figure E.2 can produce high inductive voltage drops, which can cause a lightning discharge to pass through a structure wall thereby causing damage.

If the conditions in 6.3 are not met, arrangements should be made for direct routing through the structure at the points of re-entrant lightning conductor loops for those conditions shown in Figure E.2.

### E.4.3 Reinforced concrete structures

#### E.4.3.1 General

Industrial structures frequently comprise sections of reinforced concrete which are produced on site. In many other cases, parts of the structure may consist of prefabricated concrete units or steel parts.

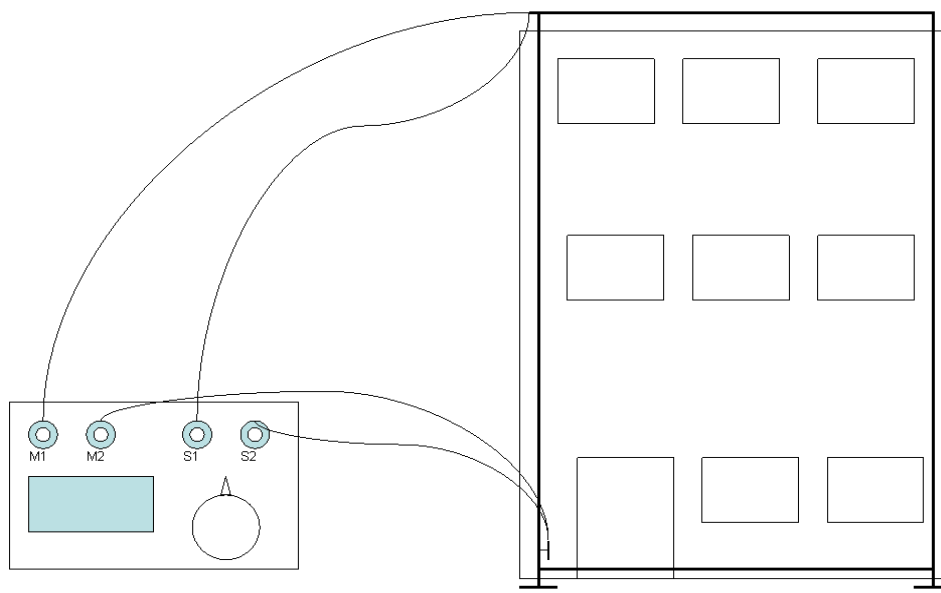
Steel reinforcement in reinforced concrete structures conforming to 4.3 may be used as a natural component of the LPS.

Such natural components must fulfil the requirements of:

- down-conductors according to 5.3;
- earth-termination networks according to 5.4.

The requirement of a maximum overall resistance of  $0,2 \Omega$  can be checked by measuring the resistance between the air-termination system and a ground plate at ground level using testing equipment suitable for the application capable of measuring in a four lead configuration (two measuring leads and two sensing leads) as illustrated in Figure E.3. The injected measuring current should be in the order of about 10 A.

NOTE 1 When access to test areas or routing of test cables are difficult, dedicated bar from high to low may be provided in order to carry out testing at each point. The total resistance of joints plus the resistance of down-conductor can then be calculated.



IEC 2661/10

**Figure E.3 – Measuring the overall electrical resistance**

Moreover, the conductive steel reinforcement in concrete, when properly used, should form the cage for potential equalization of the internal LPS according to 6.2.

Furthermore, the steel reinforcement of the structure, if adequate, may serve as an electromagnetic shield, which assists in protecting electrical and electronic equipment from interference caused by lightning electromagnetic fields according to IEC 62305-4.

If the reinforcement of the concrete and any other steel constructions of a structure are connected both externally and internally so that the electrical continuity conforms to 4.3, effective protection may be achieved against physical damage.

The current injected into the reinforcing rods is assumed to flow through a large number of parallel paths. The impedance of the resulting mesh is thus low and, as a consequence, the voltage drop due to the lightning current is also low. The magnetic field generated by the current in the reinforcing steel mesh is weak due to the low current density and the parallel current paths generating opposing electromagnetic fields. Interference with neighbouring internal electrical conductors is correspondingly reduced.

NOTE 2 For protection against electromagnetic interference, see IEC 62305-4 and IEC/TR 61000-5-2 <sup>[5]</sup>.

When a room is totally enclosed by steel-reinforced concrete walls whose electrical continuity conforms to 4.3, the magnetic field due to lightning current flowing through the reinforcement in the vicinity of the walls is lower than that in a room of a structure protected with conventional down-conductors. Owing to the lower induced voltages in conductor loops

installed inside the room, protection against failures of internal systems may be easily improved.

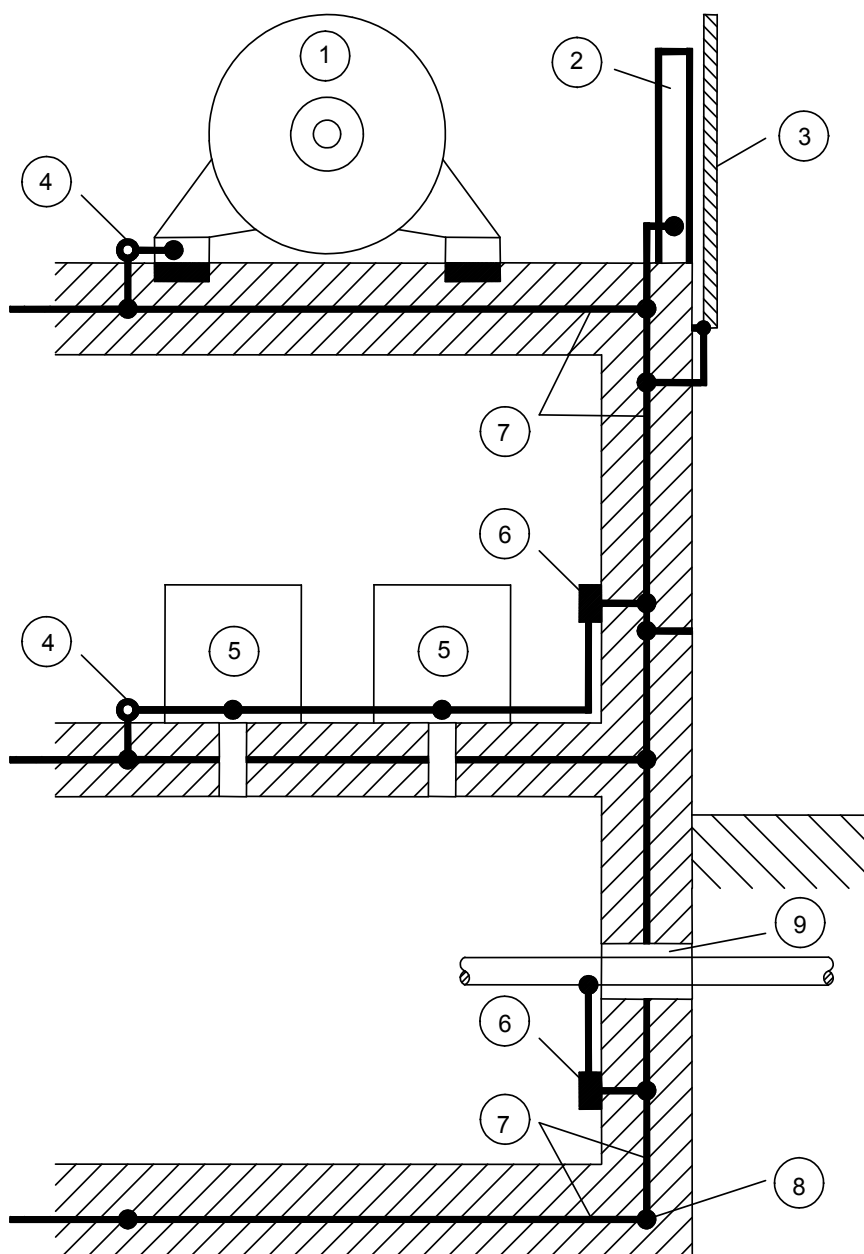
After the construction phase, it is nearly impossible to determine the layout and construction of the reinforcement steel. Therefore, the layout of the reinforcement steel for the purpose of lightning protection should be very well documented. This can be done utilizing drawings, descriptions and photographs taken during the construction.

#### **E.4.3.2 Utilization of reinforcement in concrete**

Bonding conductors or grounding plates should be furnished in order to provide reliable electrical connection to the reinforcement steel.

Conductive frames that, for example, are attached to the structure may be used as natural LPS conductors and as connection points for the internal equipotential bonding system.

A practical example is the use of foundation anchors or foundation rails of machines, apparatus or housings, to achieve potential equalization. Figure E.4 illustrates the arrangement of the reinforcement and the bonding bars in an industrial structure.



IEC 2662/10

**Key**

- |                                      |   |
|--------------------------------------|---|
| 1 electrical power equipment         | 6 bonding bar   |
| 2 steel girder                       | 7 steel reinforcement in concrete (with superimposed mesh conductors) |
| 3 metal covering of the facade       | 8 foundation earth electrode  |
| 4 bonding joint                      | 9 common inlet for different services                                 |
| 5 electrical or electronic equipment |   |

**Figure E.4 – Equipotential bonding in a structure with a steel reinforcement**

The location of bonding terminations in the structure should be specified at an early planning stage in the design of the LPS and should be made known to the civil works contractor.

The building contractor should be consulted to determine whether welding to the reinforcing rods is permitted, whether clamping is possible or whether additional conductors should be installed. All necessary work should be performed and inspected prior to pouring of the concrete (i.e. planning of the LPS should be carried out in conjunction with the design of the structure).

### E.4.3.3 Welding or clamping to the steel-reinforcing rods

The continuity of the reinforcing rods should be established by clamping or welding.

NOTE Clamps conforming to the future IEC 62561 series are suitable.

Welding to the reinforcing rods is only permitted if the civil works designer consents. The reinforcing rods should be welded over a length not less than 50 mm (see Figure E.5).

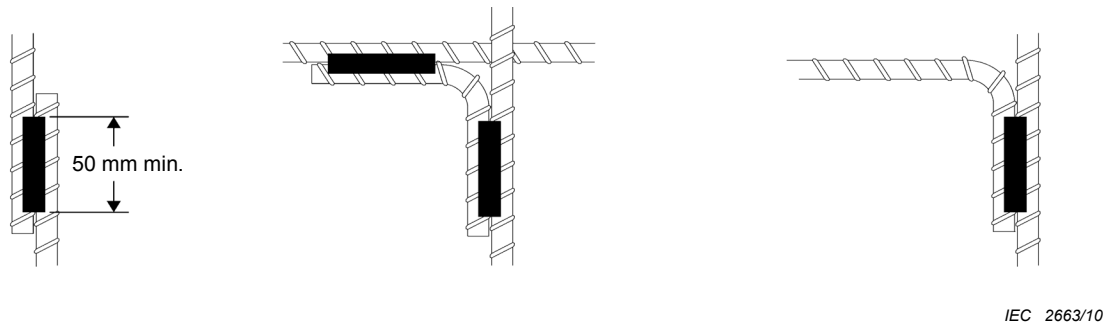


Figure E.5a – Welded joints (suitable for lightning current and EMC purposes)

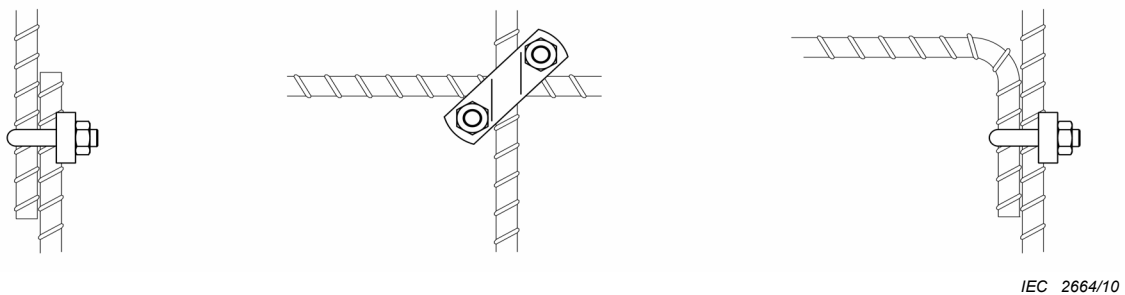


Figure E.5b – Clamped joints to future IEC 62561 (suitable for lightning current and EMC purposes)

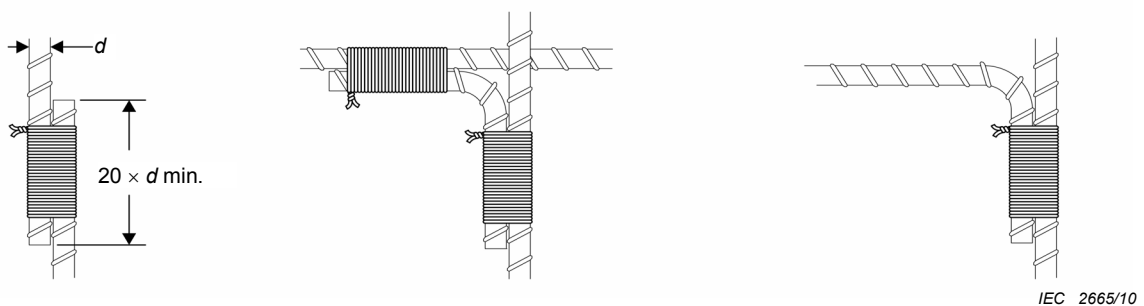


Figure E.5c – Bound joints (suitable for lightning current and EMC purposes)

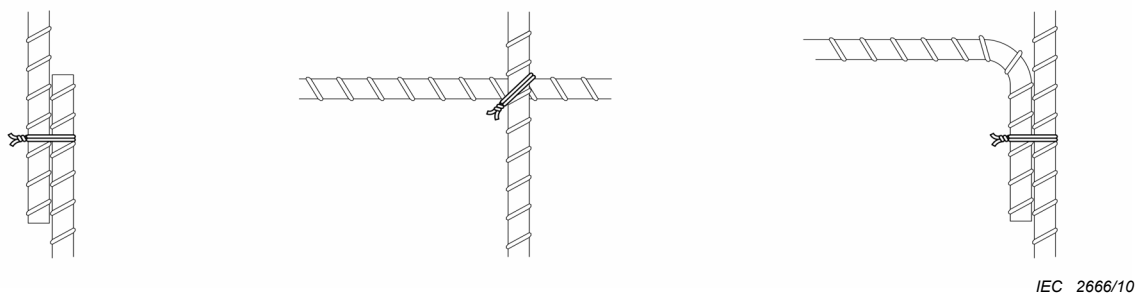


Figure E.5d – Lashed joints (suitable for EMC purposes only)

Figure E.5 – Typical methods of joining reinforcing rods in concrete (where permitted)

The connection to outside components of the lightning protection system should be established by a reinforcement rod brought out through the concrete at a designated location or by a connecting rod or ground plate passing through the concrete which is welded or clamped to the reinforcing rods.

Where joints between the reinforcing rods in concrete and the bonding conductor are made by means of clamping, two bonding conductors (or one bonding conductor with two clamps to different reinforcing bars) should always be used for safety, since the joints cannot be inspected after the concrete has set. If the bonding conductor and reinforcing rod are dissimilar metals, then the joint area should be completely sealed with a moisture inhibiting compound.

Figure E.6 shows clamps used for joints for reinforcing rods and solid tape conductors. Figure E.7 shows details for connection of an external system to reinforcing rods.

The bonding conductors should be dimensioned for the proportion of lightning current flowing at the bonding point (see Tables 8 and 9).

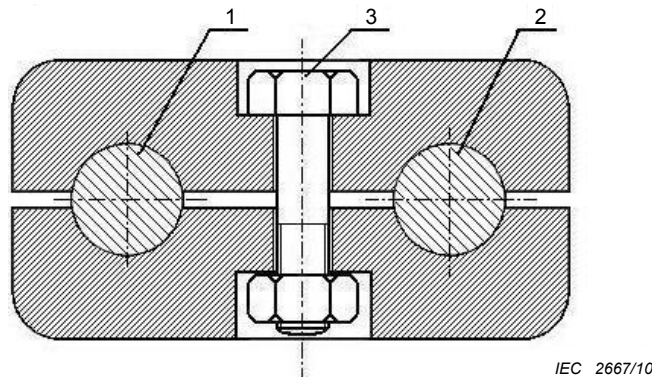


Figure E.6a – Circular conductor to a reinforcing rod

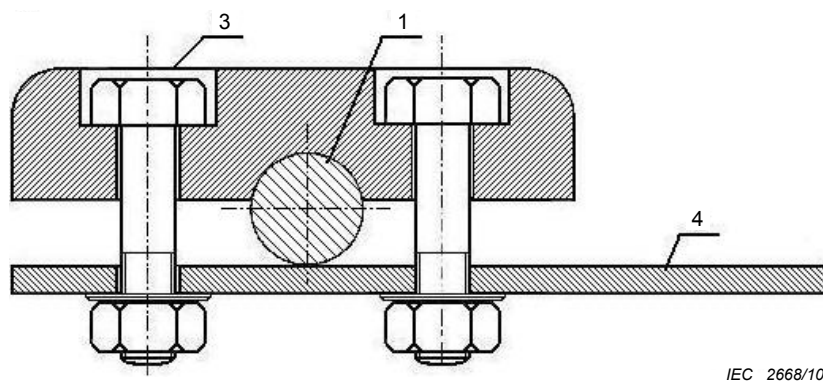


Figure E.6b – Solid tape conductor to a reinforcing rod

**Key**

- 1 reinforcing rod
- 2 circular conductor
- 3 screw
- 4 tape conductor

**Figure E.6 – Example of clamps used as joints between reinforcing rods and conductors**



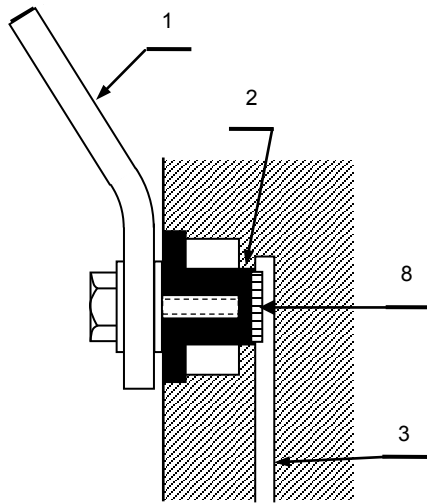


Figure E.7a

IEC 2669/10

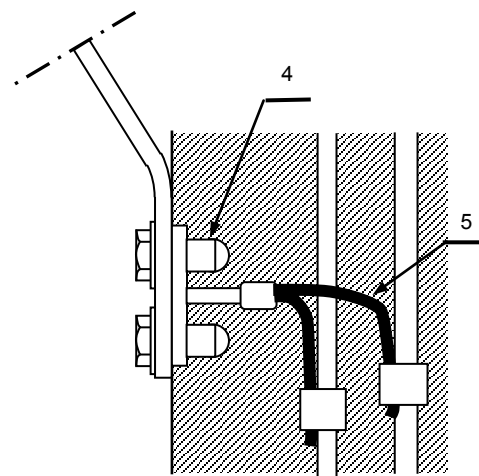


Figure E.7b

IEC 2670/10

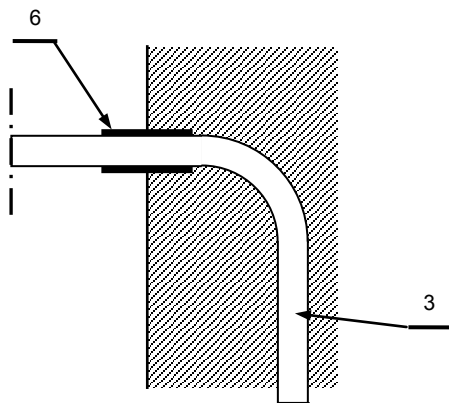


Figure E.7c

IEC 2671/10

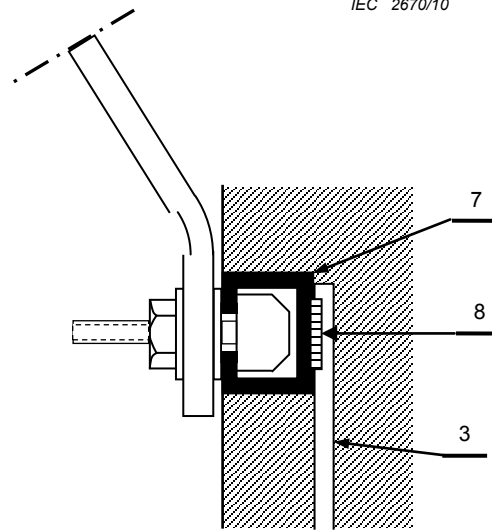


Figure E.7d

IEC 2672/10

**Key**

- 1 bonding conductor
- 2 nut welded to steel bonding connector
- 3 steel-bonding connector\*
- 4 cast in non ferrous bonding point
- 5 stranded copper bonding connector
- 6 corrosion protection measure
- 7 C-steel (C-shaped mounting bar)
- 8 welding

\* The steel-bonding connector is connected at many points by welding or clamping to the steel reinforcing bars.

NOTE Construction shown in Figure E.7c is not a generally accepted solution in terms of good engineering practice.

**Figure E.7 – Examples for connection points to the reinforcement in a reinforced concrete wall**

#### **E.4.3.4 Materials**

The following materials can be used as additional conductors installed in concrete for lightning protection purposes: steel, mild steel, galvanized steel, stainless steel, copper and copper coated steel .

The behaviour of a galvanized layer on steel in concrete is very complicated, particularly in concrete with chlorides, the zinc will corrode quickly on contact with the reinforcement, and can under certain conditions cause damage to the concrete. Galvanized steel should therefore not be used in coastal areas and where there may be salt in the ground water. As the use of galvanized steel in concrete requires evaluation of many external factors this material should be used only after careful analysis. With this in mind the use of the other mentioned materials is preferred over the use of galvanized steel.

In order to avoid confusion between the different types of steel rods in concrete, it is recommended that round steel rods of at least 8 mm diameter with a smooth surface be used as additional conductors in contrast to the ordinary ribbed surface of the reinforcing rods.

#### **E.4.3.5 Corrosion**

Where steel reinforcement bonding conductors are brought through a concrete wall, particular attention should be paid to protection against chemical corrosion.

The simplest corrosion protection measure is the provision of a silicon rubber or bitumen finish in the vicinity of the exit point from the wall, e.g. 50 mm or more in the wall and 50 mm or more outside the wall (see Figure E.7c). However, this is generally not regarded as a good engineering solution. An improved solution is to use connectors especially developed for this purpose as shown in the other examples of Figure E.7

Where copper and copper coated steel bonding conductors are brought through the concrete wall, there is no corrosion risk if a solid conductor, proprietary bonding point, PVC covering or isolated wire is used (see Figure E.7b). For stainless steel bonding conductors, in accordance with Tables 6 and 7, no corrosion prevention measures need to be used.

In the case of extremely aggressive atmospheres, it is recommended that the bonding conductor projecting from the wall be made of stainless steel.

NOTE Galvanized steel outside the concrete in contact with reinforcement steel in the concrete may, under certain circumstances, cause damage to the concrete.

When cast-in type nuts or mild steel pieces are used, these should be protected against corrosion on the outside of the wall. Serrated lock washers should be used to make electrical contact through the protective finish of the nut (see Figure E.7a).

For more information on corrosion protection, see E.5.6.2.2.2.

#### **E.4.3.6 Connections**

Investigations show that lashed joints are not suitable for lightning-current carrying connections. There is a risk of the lashing wire exploding and damaging the concrete. However, on the basis of earlier investigations it can be assumed that at least every third wire lashing forms an electrically conductive link, so that practically all the rods of the reinforcement are electrically interconnected. Measurements carried out on reinforced concrete structures support this conclusion.

So, for lightning-carrying connections, welding and clamping are the preferred methods. Lashed joints as a connection are suitable for additional conductors for equipotentialization and for EMC purposes only.

Connections of external circuits to the interconnected reinforcement should be performed by means of clamps or by welding.

Welds between reinforcing bars (see Figure E.5) within concrete should be at least 50 mm long. Crossing rods should be bent to run for at least 70 mm in parallel prior to welding.

NOTE Where welding is permitted, both conventional welding and exothermic welding are acceptable.

When welded rods need to be cast into concrete, it is not sufficient to weld at crossing points with weld seam lengths of only a few millimetres. Such joints frequently break when the concrete is poured.

Figure E.5 shows correct welding of bonding conductors to the reinforcing rods of the reinforced concrete.

Where welding to the reinforcing rods is not permitted, clamps or additional dedicated conductors should be used. These additional conductors can be made of steel, mild steel, galvanized steel or copper. The additional conductors should be connected to a large number of reinforcing rods by lashings or clamps to take advantage of the shielding possibilities of the reinforcement steel.

#### **E.4.3.7 Down-conductors**

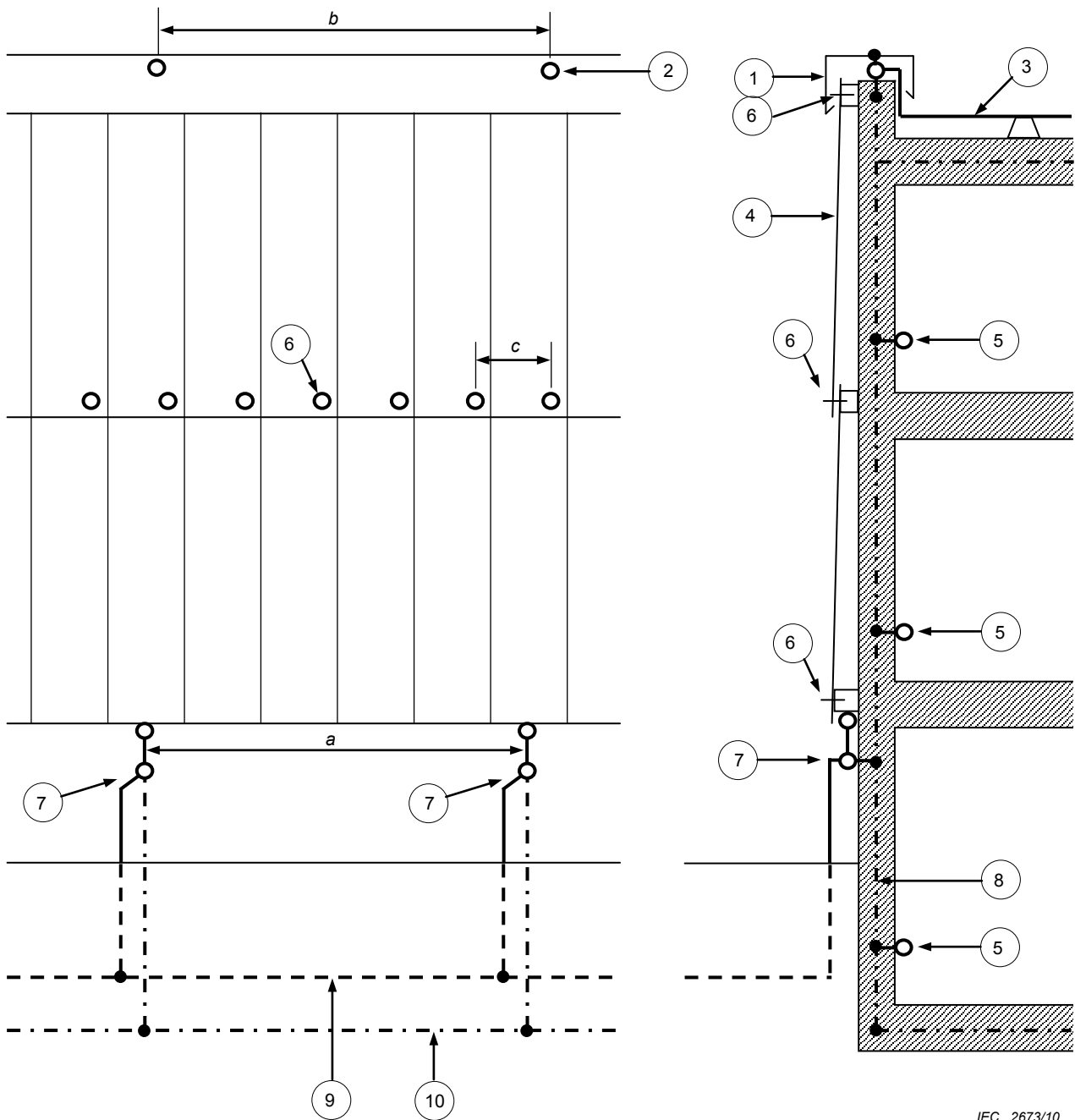
The reinforcing rods of walls or concrete columns and steel structural frames may be used as natural down-conductors. A termination joint should be provided on the roof to facilitate the connection of the air-termination system and, unless the reinforced concrete foundation is being used as the only earth-termination, termination joints should be provided to facilitate the connection with the earth-termination system.

When using a particular rod of the reinforcement steel as the down-conductor, care should be taken in the route to earth to ensure that the rod that is located in the same position will be used all the way down, thereby providing direct electrical continuity.

When the vertical continuity of the natural down-conductors, providing a straight path from roof to ground cannot be guaranteed, additional dedicated conductors should be used. These additional conductors should be lashed or clamped to the reinforcement steel.

Wherever there is doubt as to the most direct route for the down-conductor (i.e. for existing buildings) an external down-conductor system should be added.

Figures E.4 and E.8 show construction details of natural components in the LPS for reinforced concrete structures. See also E.5.4.3.2 for the use of the rods of reinforced concrete elements as foundation earth electrodes.



IEC 2673/10

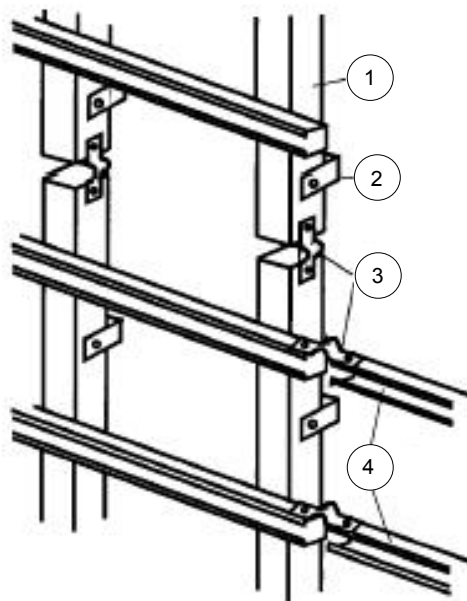
**Key**

- 1 metallic covering of the roof parapet
- 2 joint between facade plates and air-termination
- 3 horizontal air-termination conductor
- 4 metallic facade segment covering
- 5 equipotentialization bar of the internal LPS
- 6 joint between facade plates and to supporting frame
- 7 test joint
- 8 steel reinforcement in concrete
- 9 type B ring earth electrode
- 10 foundation earth electrode

An applicable example may utilize the following dimensions  $a = 5 \text{ m}$   $b = 5 \text{ m}$   $c = 1 \text{ m}$ .

NOTE For the joints between the plates, see Figure E.35.

**Figure E.8a – Use of a metallic facade covering as a natural down-conductor system on a structure of steel-reinforced concrete**



IEC 2674/10

**Key**

- 1 vertical frame
- 2 wall fixing
- 3 connectors
- 4 horizontal frame

**Figure E.8b – Connection of facade supports**

**Figure E.8 – Use of metallic facade as natural down-conductor system  
and connection of facade supports**

Internal down-conductors in the individual columns and the walls should be interconnected by means of their steel reinforcing rods and should conform to the conditions for electrical continuity according to 4.3.

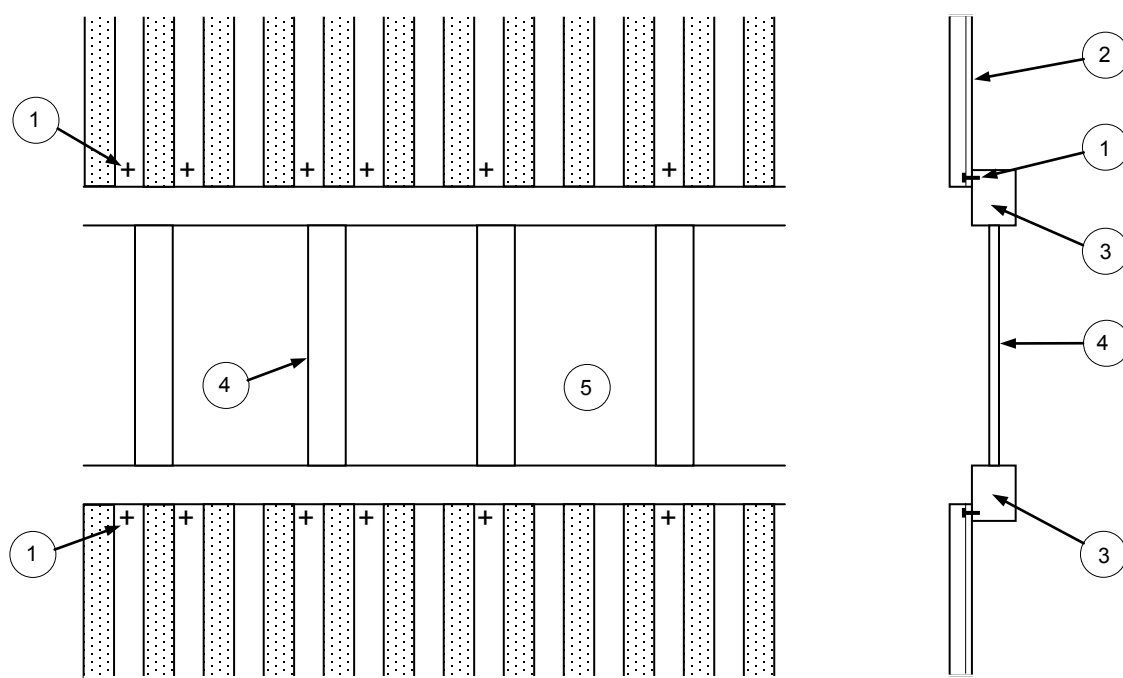
Steel reinforcing rods of individual prefabricated concrete elements and the reinforcing rods of concrete columns and concrete walls should be connected to the reinforcing rods of floors and roofs before the floors and roofs are cast.

Extensive continuously conductive parts exist within the reinforcing of all constructional elements, which are cast with concrete on site, for example, walls, columns, stairs and lift shafts. If floors are constructed of site-cast concrete, the down-conductors in the individual columns and walls should be interconnected by means of their reinforcing rods to ensure an even distribution of the lightning current. If floors are constructed of prefabricated concrete elements, such connections are generally not available. However, at little extra cost it is generally possible to prepare joints and terminations to connect the reinforcing rods of the individual prefabricated concrete elements to the reinforcing rods of the columns and walls before the floors are cast by insertion of additional connecting rods.

Prefabricated concrete elements used as suspended facades are not effective for lightning protection as bonding connections are not provided. If highly effective lightning protection is to be provided for equipment installed within a structure, such as office buildings with extensive information-processing equipment and computer networks, it is necessary for the reinforcing rods of such facade elements to be interconnected and connected to the reinforcing rods of the load-bearing elements of the structure in such a manner that the lightning current can flow through the complete outer surface of the structure (see Figure E.4).

If continuous strip windows are installed in the outer walls of a structure, it is essential that a decision be taken as to whether the connection of the prefabricated concrete parts above and below the continuous strip windows should be made by means of the existing columns or whether they should be interconnected at smaller intervals corresponding to the window pitch.

Extensive integration of conductive parts of the outer walls improves the electromagnetic shielding of the interior of the structure. Figure E.9 shows the connection of continuous strip windows to a metal facade covering.



IEC 2675/10

**Key**

- 1 joint between a facade plate segment and the metallic strip window
- 2 metallic facade plate
- 3 horizontal metallic strip
- 4 vertical metallic strip
- 5 window

**Figure E.9 – Connection of the continuous strip windows to a metal facade covering**

If steel structures are used as down-conductors, every steel column should be connected to the steel reinforcing rods of the concrete foundation by bonding points as shown in Figure E.7.

NOTE For more information on the use of steel reinforcement of structure walls for the purpose of electromagnetic shielding, see IEC 62305-4.

In the case of large, low buildings such as halls, the roof is supported not only at the building circumference but also by internal columns. Conductive columns should be connected to the air-termination system at the top and to the equipotential bonding system at the floor, creating internal down-conductors; this is to prevent dangerous sparking inside the building. Increased electromagnetic interference occurs in the vicinity of such internal down-conductors.

Steel skeleton constructions generally use steel roof girders connected by means of bolted joints. Provided the bolts are tightened with the force required to achieve mechanical strength, all bolted steel parts may be considered electrically interconnected. The thin paint layer is pierced by the lightning current on initial discharge thus forming a conductive bridge.

The electrical connection may be improved by baring the seating surface of the bolt heads, bolt nuts and washers. A further improvement can be achieved by provision of a welding seam approximately 50 mm long after completion of the structural assembly.

On existing structures with extensive conductive parts in/on the outer walls, the continuity of conductive parts should be established for use as down-conductors. This technique is also recommended when high demands on the cultural aspects of architectural design have to be maintained in addition to the demands for protection against LEMP.

Interconnected equipotentialization bars should also be provided. Each equipotentialization bar should be connected to the conductive parts in the outer walls and in the floor. This may already be provided by the horizontal reinforcing bars at the ground level and each subsequent floor level.

If possible, a connection point to the steel reinforcement in the floor or in the wall should be provided. The connection should be made to at least three reinforcing rods.

#### **E.4.3.8 Equipotentialization**

When a large number of bonding connections to the reinforcement is required at different floors and a significant interest is given to achieve current paths of low inductance utilizing the reinforcing rods of the concrete walls for potential equalization and for shielding of the inner space of the structure, ring-conductors should be installed within or outside the concrete on the separate floors. These ring conductors should be interconnected by means of vertical rods at intervals not greater than 10 m.

This arrangement should be given preference due to its greater reliability, especially where the magnitude of the interference current is unknown.

A meshed-connection conductor network is also recommended. Connections should be designed to carry high currents in the event of a fault in the energy supply.

In large structures, the equipotentialization bar acts as a ring conductor. In such cases connection points to the steel-reinforcing bars should be made every 10 m. No special measures other than those prescribed for the basement in 6.2.2 a) for connection of the structure reinforcement to the LPS are necessary.

#### **E.4.3.9 Foundation as earth-termination**

For large structures and industrial plants the foundation is normally reinforced. The reinforcing rods of the foundation, foundation slab and outer walls in the region below the soil surface of such structures form an excellent foundation earth electrode, provided the requirements of 5.4 are satisfied.

The reinforcing rods of the foundation and the buried walls can be used as foundation earth electrode.

This method achieves good earthing at minimum cost. In addition, the metal enclosure, consisting of the steel reinforcement of the structure, in general offers a good potential reference for the electric power supply, telecommunication and electronic installations of the structure.

In addition to the interconnection of the reinforcing rods by wire-lashing, the installation of an additional meshed metal network to ensure good joints is recommended. This additional network should also be lashed to the reinforcement steel. The terminal conductors for connections of external down-conductors or structure elements used as down-conductors and for connection of the earth-termination installed externally should be brought out of the concrete at suitable points.

In general, the reinforcing of a foundation is electrically conductive except in cases where gaps are provided between different parts of the structure to allow different settling rates.

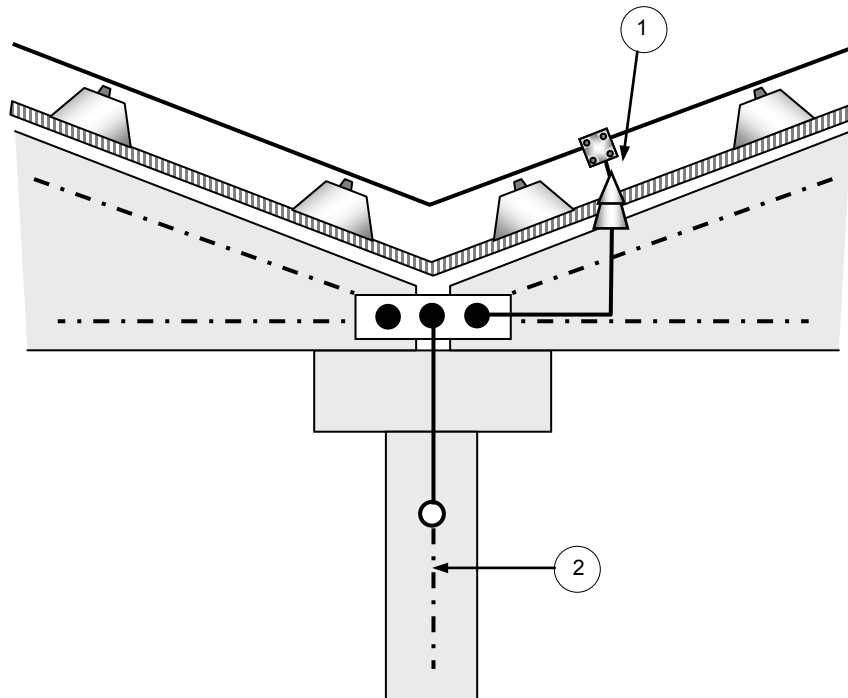
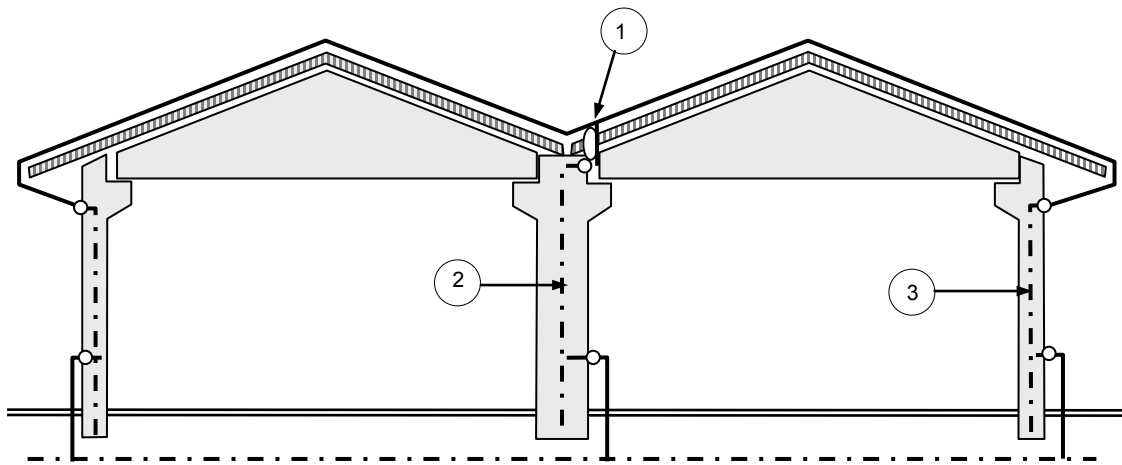
Gaps between conductive structure parts should be bridged by bonding conductors conforming to Table 6 using clamps and joints in accordance with 5.5.

Reinforcing rods of concrete columns and walls standing on a foundation should be connected to the reinforcing rods of the foundation and to the conductive parts of the roof.

Figure E.10 shows the design of the LPS of a reinforced concrete structure for concrete columns, walls and a roof with conductive parts.

www.TeraStandard.com





IEC 2676/10

**Key**

- 1 LPS conductor passing a watertight bushing
- 2 steel reinforcement in a concrete column
- 3 steel reinforcement in concrete walls

NOTE The steel reinforcing of an internal column becomes a natural internal down-conductor when the steel reinforcing of the column is connected to the air-termination and the earth-termination of the LPS. The electromagnetic environment near the column should be considered when sensitive electronic equipment is installed near the column.

**Figure E.10 – Internal down-conductors in industrial structures**

When welding to reinforcing is not allowed, additional conductors should be installed in the columns, or the connections should be implemented by means of tested joints. These additional conductors should be lashed or clamped to the reinforcing steel.

After completion of construction and connecting all the services to the building via an equipotential bonding bar, it will often be impossible (in practice) to measure the earthing resistance as part of the maintenance programme.

If, in certain conditions it is not possible to measure the earthing resistance of the foundation earth, the installation of one or more reference earth electrodes close to the structure provide a possible method of monitoring the changes in the environment of the earthing system over the years by performing a circuit measurement between the earth electrode and the foundation earthing system. However, good equipotentialization is the main advantage of the foundation earthing system and the resistance to earth tends to be less important.

#### **E.4.3.10 Installation procedures**

All lightning protection conductors and clamps should be installed by the installer of the LPS.

Agreement should be reached with the civil works contractor in sufficient time to ensure that the time schedule for construction work is not exceeded as a result of delay in installation of the LPS before pouring the concrete.

During construction, measurements should be taken regularly and an LPS installer should supervise the construction (see 4.3).

#### **E.4.3.11 Prefabricated reinforced concrete parts**

If prefabricated reinforced concrete parts are used for lightning protection, e.g. as down-conductors for shielding or as conductors for potential equalization, connection points according to Figure E.7 should be attached to them to allow later interconnection of the prefabricated reinforcement with the reinforcement of the structure in a simple manner.

The location and form of connection points should be defined during the design of the prefabricated reinforced concrete parts.

The connection points should be located so that in the prefabricated concrete part a continuous reinforcing rod runs from one bonding joint to the next.

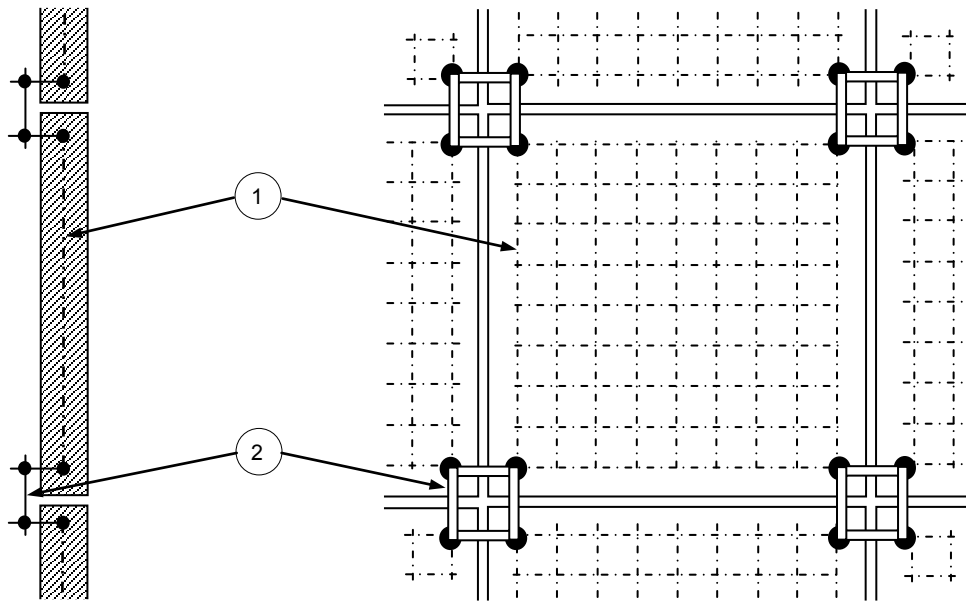
When the arrangement of continuous reinforcing rods in a prefabricated reinforced concrete part is not possible with standard reinforcing rods, an additional conductor should be installed and lashed to the existing reinforcement.

In general, one connection point and a bonding conductor is required at each corner of a plate-like prefabricated reinforced concrete part as illustrated in Figure E.11.

#### **E.4.3.12 Expansion joints**

When the structure comprises a number of sections with expansion joints, with allowance for settling of the structure sections, and extensive electronic equipment is to be installed in the building, bonding conductors should be provided between the reinforcement of the various structural sections across the expansion joints at intervals not exceeding one half of the distance between the down-conductors specified in Table 4.

In order to ensure low-impedance potential equalization and effective shielding of the space inside a structure, expansion joints between sections of a structure should be bridged at short intervals (between 1 m and one half of the distance between down-conductors) by flexible or sliding bonding conductors depending on the required shielding factor, as shown in Figure E.11.

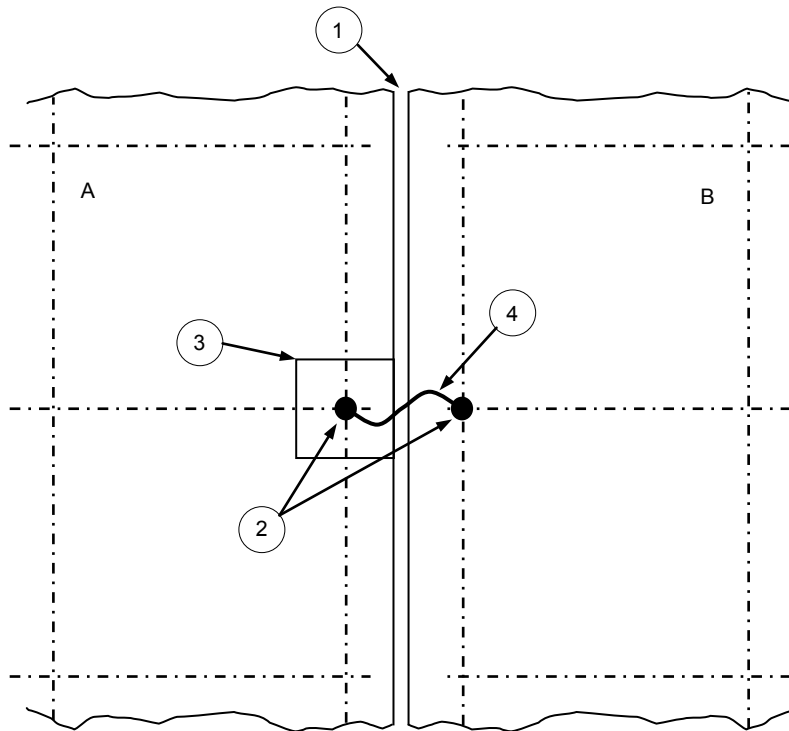


IEC 2677/10

**Key**

- 1 reinforced precast concrete
- 2 bonding conductors

**Figure E.11a – Installation of bonding conductors on plate-like prefabricated reinforced concrete parts by means of bolted or welded conductor links**



IEC 2678/10

**Key**

- 1 expansion slot
- 2 welded joint
- 3 recess
- 4 flexible bonding conductor
- A reinforced concrete part 1
- B reinforced concrete part 2

**Figure E.11b – Construction of flexible bonds between two reinforced concrete parts bridging an expansion slot on a structure**

**Figure E.11 – Installation of bonding conductors in reinforced concrete structures and flexible bonds between two reinforced concrete parts**

## **E.5 External lightning protection system**

### **E.5.1 General**

The positioning of external LPS conductors is fundamental to the design of the LPS and depends on the shape of the structure to be protected, the level of protection required and the geometric design method employed. The air-termination system design generally dictates the design of the down-conductor system, the earth-termination system and the design of the internal LPS.

If adjoining buildings have an LPS, those LPS, where permissible, should be connected to the LPS of the building under consideration.

#### **E.5.1.1 Non-isolated LPS**

In most cases, the external LPS may be attached to the structure to be protected.

When the thermal effects at the point of strike or on conductors carrying the lightning current may cause damage to the structure, or to the content of the structure to be protected, the spacing between LPS conductors and combustible material should be at least 0,1 m.

NOTE Typical cases are

- structures with combustible coverings,
- structures with combustible walls.

#### **E.5.1.2 Isolated LPS**

An isolated external LPS should be used when the flow of the lightning current into bonded internal conductive parts may cause damage to the structure or its contents.

NOTE 1 The use of an isolated LPS may be convenient where it is predicted that changes in the structure may require modifications to the LPS.

An LPS that is connected to conductive structural elements and to the equipotential bonding system only at ground level, is defined as isolated according to 3.3.

An isolated LPS is achieved either by installing air-termination rods or masts adjacent to the structure to be protected or by suspending overhead wires between the masts in accordance with the separation distance of 6.3.

An isolated LPS is also installed on structures of isolating material, such as brickwork or wood, where the separation distance, as defined in 6.3, is maintained and no connection is made to conductive parts of the structure nor to equipment installed therein, with the exception of connections to the earth-termination system at ground level.

Conductive equipment within the structure and electrical conductors should not be installed with distances to the air-termination system conductors and to the down-conductors shorter than the separation distance defined in 6.3. All future installations should conform to the requirements of an isolated LPS. These requirements should be made known to the owner of the structure by the contractor responsible for the design and construction of the LPS.

The owner should inform future contractors performing work in or on the building about these requirements. The contractor responsible for such work should inform the owner of the structure if the contractor cannot meet these requirements.

All parts of equipment installed in a structure with an isolated LPS should be placed within the protected space of the LPS and satisfy the separation distance conditions. The LPS conductors should be mounted on isolated conductor fixtures, if conductor fixings attached

directly to the structure walls are too close to conductive parts, so that the distance between the LPS and the inner conductive parts exceed the separation distance as defined in 6.3.

NOTE 2 Isolating fixtures should be equal to or longer than the separation distance, taking also into account environmental conditions.

Flush-mounted conductive roof fixtures which are not connected to the equipotential bonding and have a distance to the air-termination system not in excess of the separation distance but a distance to the equipotential bonding in excess of the separation distance, should be connected to the air-termination system of the isolated LPS. For this reason structures such as this should not be considered as isolating but as a structure with flush-mounted conductive roof fixtures which are not connected to the equipotential bonding.

The design of an LPS and the safety instructions for work in the vicinity of a roof fixture should take account of the fact that the voltage on such fixtures will rise to that of the air-termination system in the event of a lightning strike.

An isolated LPS should be installed on structures with extensive interlinked conductive parts when it is desired to prevent lightning current from flowing through structure walls and internally installed equipment.

On structures consisting of continuously interlinked conductive parts such as steel construction or steel-reinforced concrete, the isolated LPS should maintain the separation distance to these conductive parts of the structure. To achieve adequate separation, LPS conductors may have to be fixed to the structure by isolation type conductor fixtures.

It should be noted, that columns and ceilings of reinforced concrete are often used in brick structures.

### **E.5.1.3 Dangerous sparking**

Dangerous sparking between an LPS and metal, electrical and telecommunication installations can be avoided

- in an isolated LPS by isolation or separation according to 6.3,
- in a non-isolated LPS by equipotential bonding, according to 6.2, or by isolation or separation according to 6.3.

## **E.5.2 Air-termination systems**

### **E.5.2.1 General**

This standard does not provide any criteria for the choice of the air-termination system because it considers rods, stretched wires and meshed conductors as equivalent.

The arrangement of an air-termination system should be in accordance with the requirements of Table 2.

### **E.5.2.2 Positioning**

For the design of the air-termination system, the following methods should be used, independently or in any combination, providing that the zones of protection afforded by different parts of the air-termination overlap and ensure that the structure is entirely protected according to 5.2:

- protection angle method;
- rolling sphere method;
- mesh method.

All three methods may be used for the design of an LPS. The choice of the method depends on a practical evaluation of its suitability and the vulnerability of the structure to be protected.

The positioning method may be selected by the LPS designer. However, the following considerations may be valid:

- the protection angle method is suitable for simple structures or for small parts of bigger structures. This method is not suitable for structures higher than the radius of the rolling sphere relevant to the selected protection level of the LPS;
- the rolling sphere method is suitable for complex shaped structures;
- the mesh method is for general purposes and it is particularly suitable for the protection of plane surfaces.

The air-termination design method and LPS design methods used for the various parts of the structure should be explicitly stated in the design documentation.

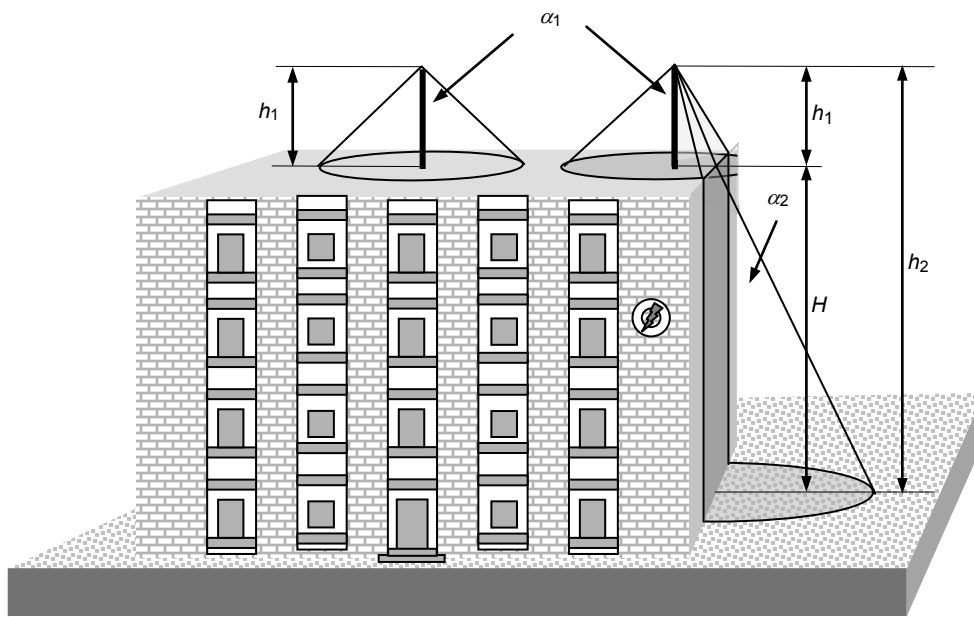
#### **E.5.2.2.1 Protection angle method**

Air-termination conductors, rods, masts and wires should be positioned so that all parts of the structure to be protected are inside the envelope surface generated by projecting points on the air-termination conductors to the reference plane, at an angle  $\alpha$  to the vertical in all directions.

The protection angle  $\alpha$  should conform to Table 2, with  $h$  being the height of the air-termination above the surface to be protected.

A single point generates a cone. Figures A.1 and A.2 show how the protected space is generated by the different air-termination conductors in the LPS.

According to Table 2, the protection angle  $\alpha$  is different for different heights of air-termination above the surface to be protected (see Figures A.3 and E.12).



IEC 2679/10

**Key**

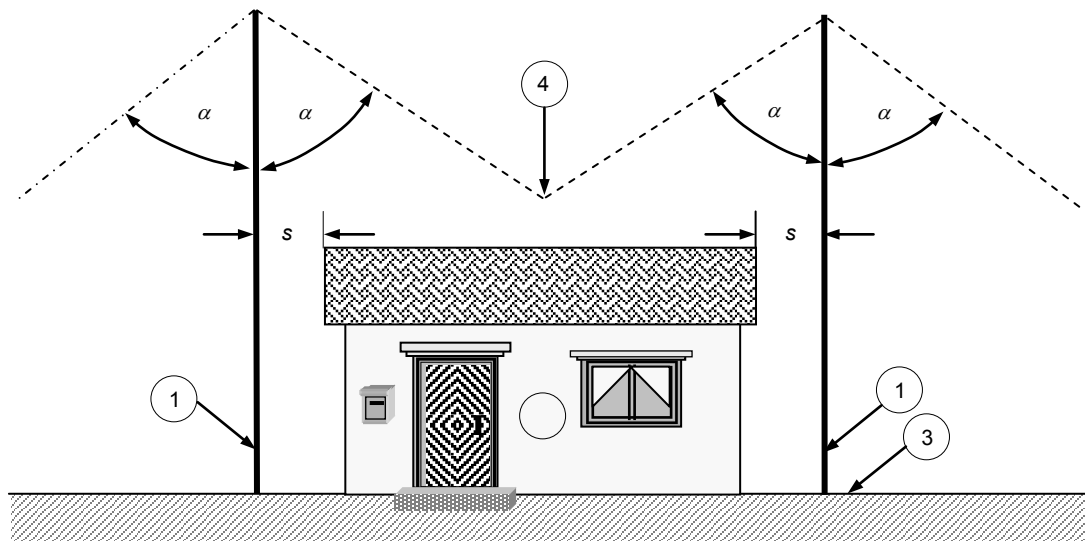
- $H$  height of the building over the ground reference plane  
 $h_1$  physical height of an air-termination rod  
 $h_2$   $h_1 + H$ , being the height of the air-termination rod over the ground  
 $\alpha_1$  the protection angle corresponding to the air-termination height  $h = h_1$ , being the height above the roof surface to be measured (reference plane)  
 $\alpha_2$  the protection angle corresponds to the height  $h_2$

**Figure E.12 – Protection angle method air-termination design for different heights according to Table 2**

The protection angle method has geometrical limits and cannot be applied if  $H$  is larger than the rolling sphere radius,  $r$ , as defined in Table 2.

If structures on the roof are to be protected with finials and the protection volume of the finials is over the edge of the building, the finials should be placed between the structure and the edge. If this is not possible, the rolling sphere method should be applied.

The design of air-termination using the protection angle air-termination design method is also shown in Figures E.13 and E.14 for an isolated LPS and in Figures E.15 and E.16 for a non-isolated LPS.



IEC 2680/10



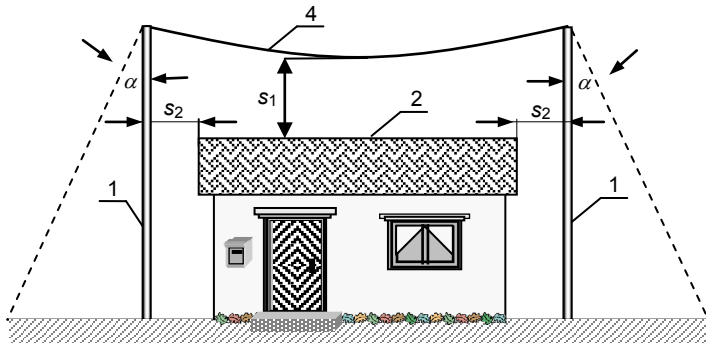


Figure E.14a – Projection on a vertical plane parallel to that containing two masts

IEC 2682/10

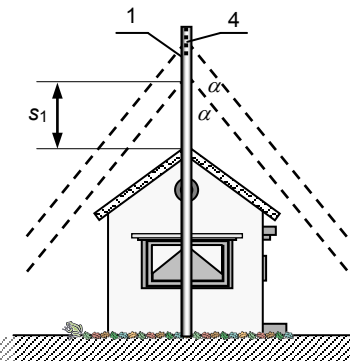


Figure E.14b – Projection on a vertical plane perpendicular to the plane containing the two masts

IEC 2683/10

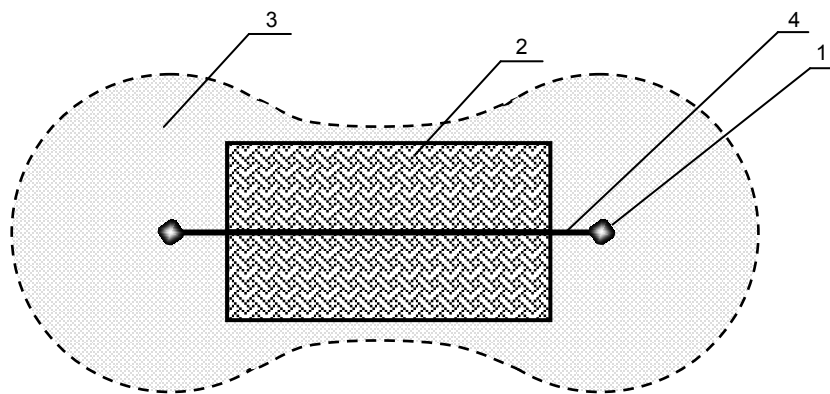


Figure E.14c – Projection on the horizontal reference plane

IEC 2684/10

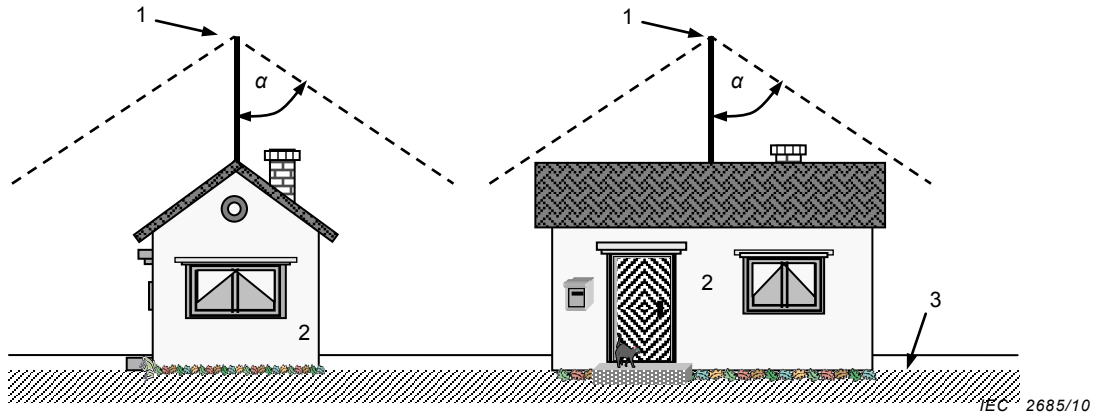


Figure E.15a – Example using one air-termination rod

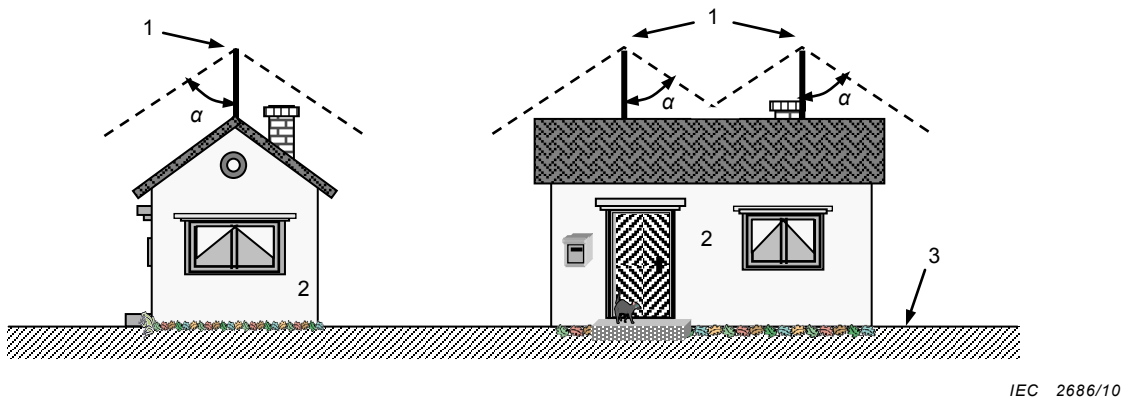


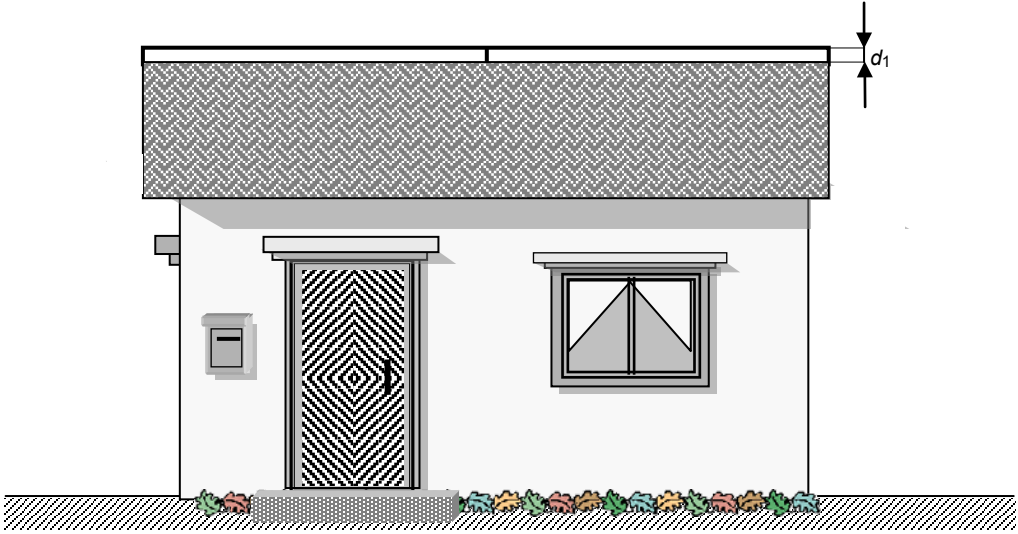
Figure E.15b – Example using two air-termination rods

**Key**

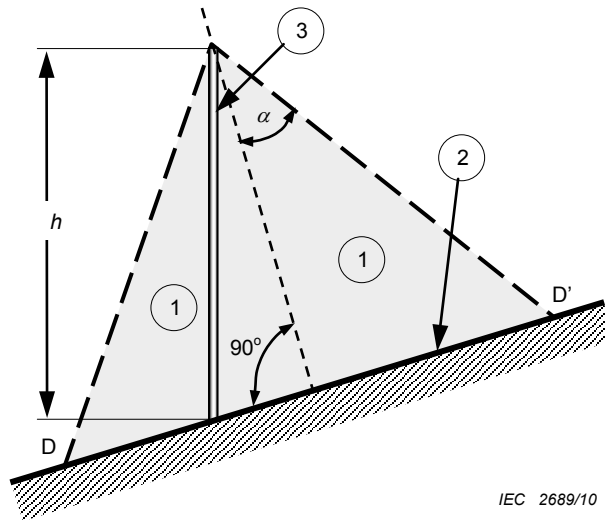
- 1 air-termination rod
- 2 protected structure
- 3 assumed reference plane
- $\alpha$  protection angle complying with Table 2

NOTE The whole structure should be inside the protected volumes of the air-termination rods.

**Figure E.15 – Example of design of an air-termination of a non-isolated LPS by air-termination rods**



IEC 2687/10



**Key**

- 1 protected volume
- 2 reference plane
- 3 air-termination rod
- $h$  relevant heights of air-termination according to Table 2
- $\alpha$  protection angle
- D, D' limit of the protected area

**Figure E.17 – Protected volume of an air-termination rod on a sloped surface using the protection angle design method**

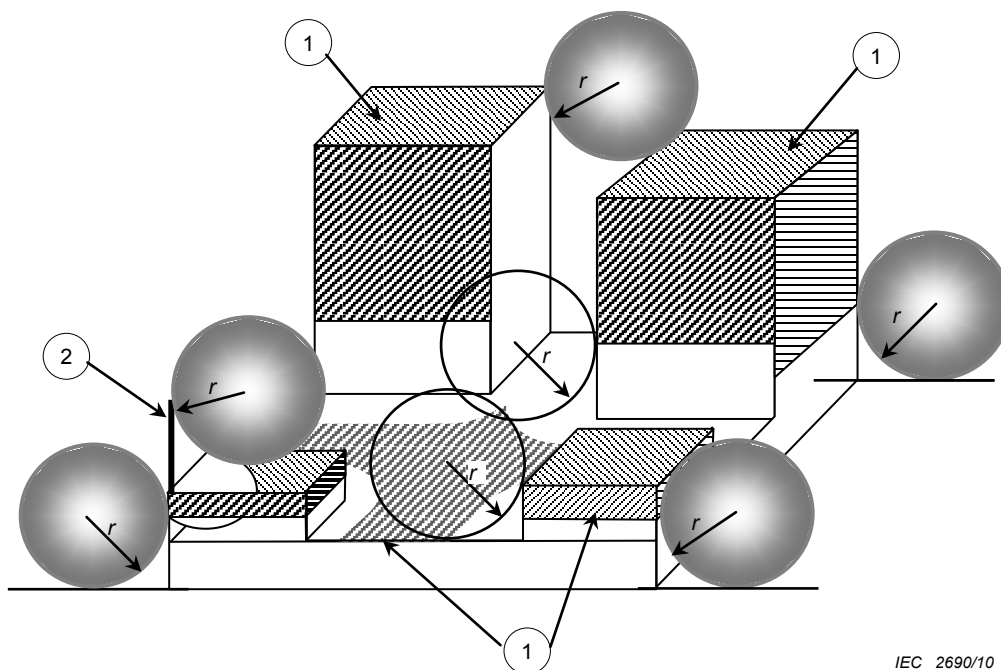
**E.5.2.2.2 Rolling sphere method**

The rolling sphere method should be used to identify the protected space of parts and areas of a structure when Table 2 excludes the use of the protection angle method.

Applying this method, the positioning of an air-termination system is adequate if no point of the volume to be protected is in contact with a sphere of radius,  $r$ , rolling on the ground, around and on top of the structure in all possible directions. Therefore, the sphere should touch only the ground and/or the air-termination system.

The radius  $r$  of the rolling sphere depends on the class of LPS (see Table 2). The radius of the rolling sphere is correlated with the peak value of the current in the lightning that strikes the structure:  $r = 10I^{0,65}$  where  $I$  is defined as kA.

Figure E.18 shows the application of the rolling sphere method to different structures. The sphere of radius  $r$  is rolled around and over all the structure until it meets the ground plane or any permanent structure or object in contact with the ground plane which is capable of acting as a conductor of lightning. A striking point could occur where the rolling sphere touches the structure and at such points protection by an air-termination conductor is required.



IEC 2690/10

**Key**

- 1 shaded areas are exposed to lightning interception and need protection according to Table 2
- 2 mast on the structure
- $r$  radius of rolling sphere according to Table 2

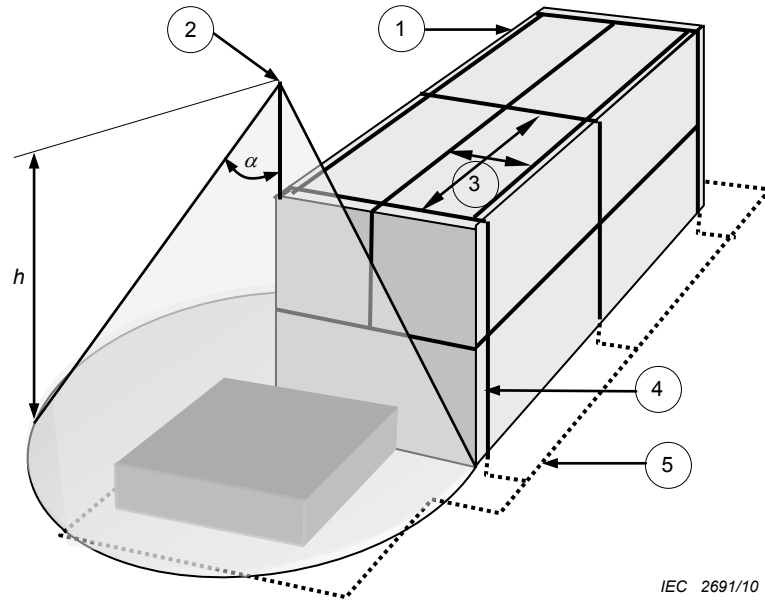
NOTE Protection against side flashes is required according to 5.2.3 and Clause A.2.

**Figure E.18 – Design of an LPS air-termination conductor network on a structure with complicated shape**

When the rolling sphere method is applied to drawings of the structure, the structure should be considered from all directions to ensure that no part protrudes into an unprotected zone – a point which might be overlooked if only front, side and plan views on drawings are considered.

The protected space generated by an LPS conductor is the volume not penetrated by the rolling sphere when it is in contact with the conductor and applied to the structure.

Figure E.19 shows the protection afforded by an LPS air-termination system according to the mesh method, rolling sphere method and protection angle method with a general arrangement of air-termination elements.



**Key**

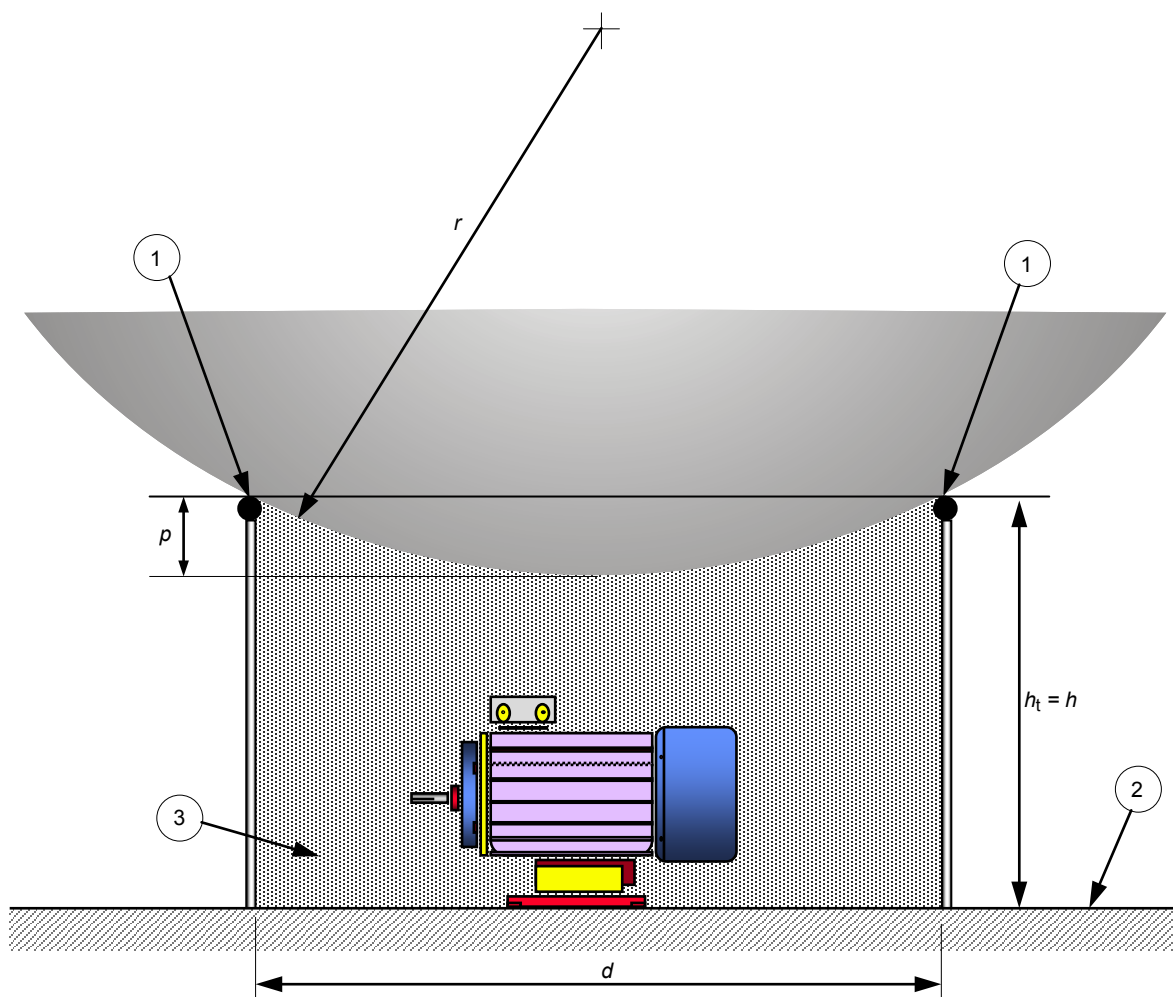
- 1 air-termination conductor
- 2 air-termination rod
- 3 mesh size
- 4 down-conductor
- 5 earthing system with ring conductor
- $h$  height of the air-terminal above ground level
- $\alpha$  protection angle

**Figure E.19 – Design of an LPS air-termination according to the protection angle method, mesh method and general arrangement of air-termination elements**

In the case of two parallel horizontal LPS air-termination conductors placed above the horizontal reference plane in Figure E.20, the penetration distance,  $p$ , of the rolling sphere below the level of the conductors in the space between the conductors may be calculated:

$$p = r - [r^2 - (d / 2)^2]^{1/2} \tag{E.2}$$

The penetration distance  $p$  should be less than  $h_t$  minus the height of objects to be protected (the motor in Figure E.20).



IEC 2692/10

**Key**

- 1 horizontal wires
- 2 reference plane
- 3 space protected by two parallel air-termination horizontal wires or two air-termination rods
- $h_t$  physical height of the air-termination rods above the reference plane
- $p$  penetration distance of the rolling sphere
- $h$  height of the air-termination according to Table 2
- $r$  radius of the rolling sphere
- $d$  distance separating two parallel air-terminal horizontal wires or two air-terminal rods

NOTE The penetration distance  $p$  of the rolling sphere should be less than  $h_t$  minus the largest height of objects to be protected, in order to protect objects in the space between the terminations.

**Figure E.20 – Space protected by two parallel air-termination horizontal wires or two air-termination rods ( $r > h_t$ )**

The example shown in Figure E.20 is also valid for three or four air-termination rods; for example, four vertical rods placed at the corners of a square with the same applied height  $h$ . In this case,  $d$  in Figure E.20 corresponds to the diagonals of the square formed by the four rods.

The points at which lightning will strike can be determined using the rolling sphere method. The rolling sphere method can also identify the probability of occurrence of a strike to each point of the building.

### Mesh method

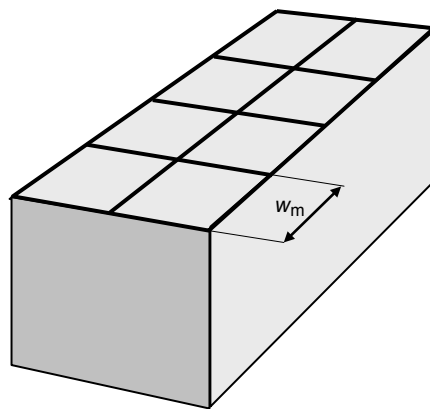
For the purpose of protecting flat surfaces, a mesh is considered to protect the whole surface if the following conditions are fulfilled.

- a) As mentioned in Annex A, air-termination conductors are positioned on
  - roof edge lines,
  - roof overhangs,
  - roof ridge lines, if the roof slope exceeds 1/10,
  - the lateral surfaces of the structure higher than 60 m at levels higher than 80 % of the height of the structure;
- b) the mesh dimensions of the air-termination network are not greater than the values given in Table 2;
- c) the network of the air-termination system is accomplished in such a way that the lightning current will always encounter at least two distinct metallic routes to the earth and no metal installation protrudes outside the volume protected by air-termination systems;

NOTE A larger number of down-conductors results in reduction of the separation distance and reduces the electromagnetic field within the building (see 5.3).

- d) the air-termination conductors follow as far as possible short and direct routes.

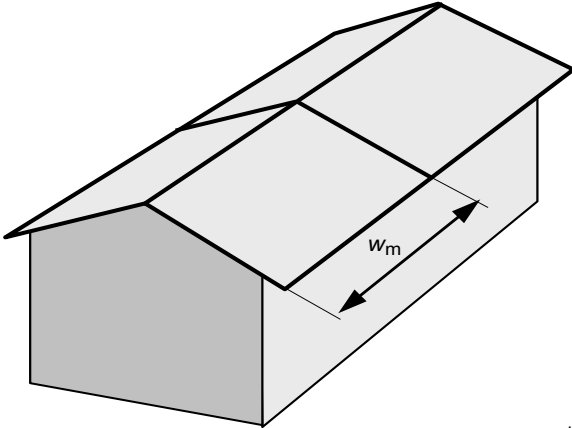
Examples of non-isolated LPS using the air-termination mesh method design are shown in Figure E.21a for a flat-roof structure and in Figure E.21b for a sloped-roof structure. Figure E.21c shows an example of an LPS on a industrial building.



IEC 2693/10

**Figure E.21a – LPS air-termination on a flat-roof structure**





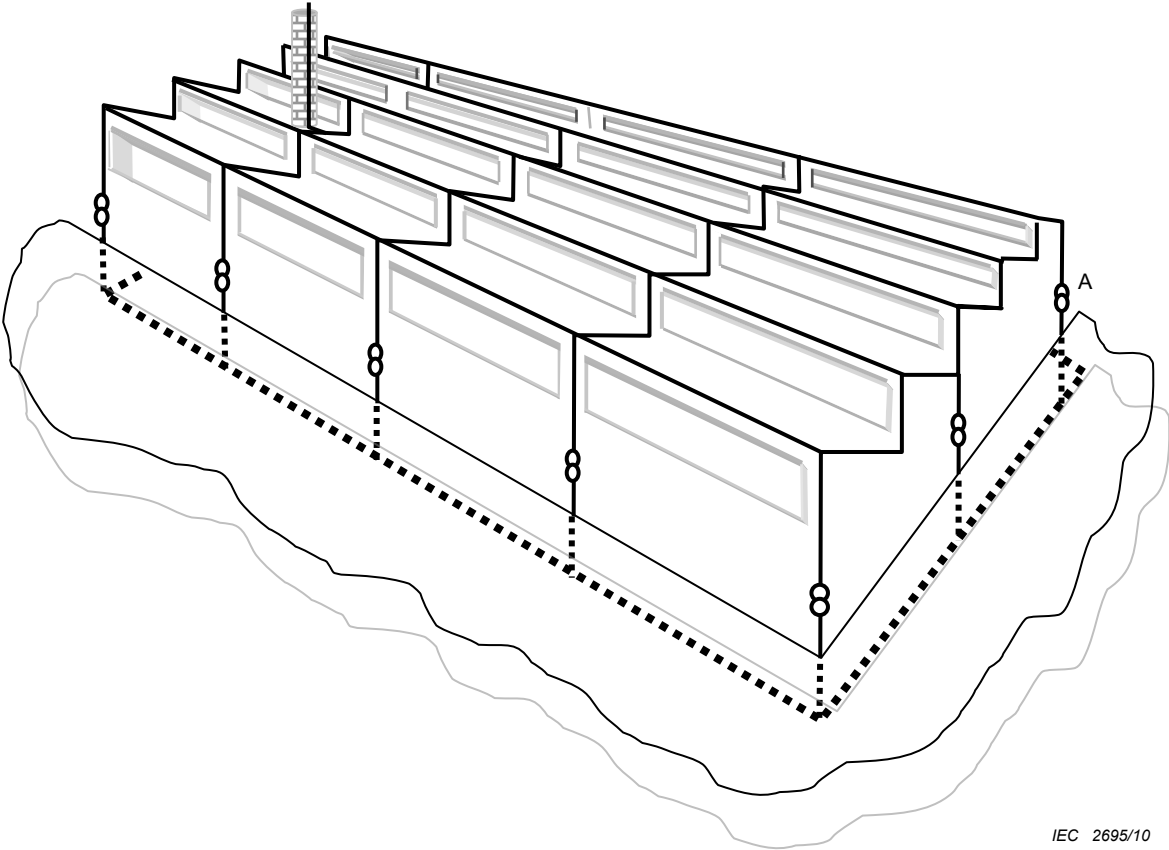
IEC 2694/10

**Key**

$w_m$  mesh size

NOTE The mesh size should comply with Table 2.

**Figure E.21b – LPS air-termination on a sloped-roof structure**



IEC 2695/10

### E.5.2.3 Air-terminations against flashes to the side on tall structures

In structures higher than 60 m, the topmost 20 % of lateral surfaces should be equipped with air terminals. For the part of this surface to be protected which is below 60 m, the protection can be omitted.

NOTE 1 For structures between 60 m and 75 m in height, the area protected need not extend below 60 m.

NOTE 2 If sensitive parts (e.g. electronic equipment) are present on the outside of the wall in the upper part of the building, they should be protected by special air-termination measures, such as horizontal finials, mesh conductors or equivalent.

### E.5.2.4 Construction

#### E.5.2.4.1 General information

The maximum permissible temperature for a conductor will not be exceeded if the cross-section of the conductor conforms to Table 6.

A roof or wall constructed from combustible material should be protected from the dangerous effect of lightning current heating the LPS conductors by using one or more of the following measures:

- reducing the temperature of the conductors by increasing the cross-section;
- increasing the distance between the conductors and the roof covering (see also 5.2.4);
- inserting a heat-protective layer between the conductors and the flammable material.

NOTE Research has shown that it is advantageous for air-termination rods to have a blunt tip.

#### E.5.2.4.2 Non-isolated air-termination

Air-termination conductors and down-conductors should be interconnected by means of conductors at the roof level to provide sufficient current distribution over the down-conductors.

Conductors on roofs and the connections of air-termination rods may be fixed to the roof using both conductive or non-conductive spacers and fixtures. The conductors may also be positioned on the surface of a wall if the wall is made of non-combustible material.

Recommended fixing centres for these conductors are shown in Table E.1.

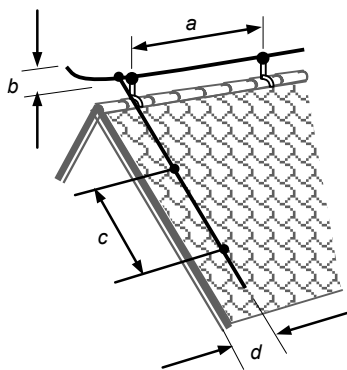
**Table E.1 – Suggested fixing centres**

Arrangement	Fixing centres for tape, stranded and soft drawn round conductors mm	Fixing centres for round solid conductors mm
Horizontal conductors on horizontal surfaces	1 000	1 000
Horizontal conductors on vertical surfaces	500	1 000
Vertical conductors from the ground to 20 m	1 000	1 000
Vertical conductors from 20 m and thereafter	500	1 000
NOTE 1 This table does not apply to built-in type fixings, which may require special considerations.		
NOTE 2 Assessment of environmental conditions (i.e. expected wind load) should be undertaken and fixing centres different from those recommended may be found to be necessary.		

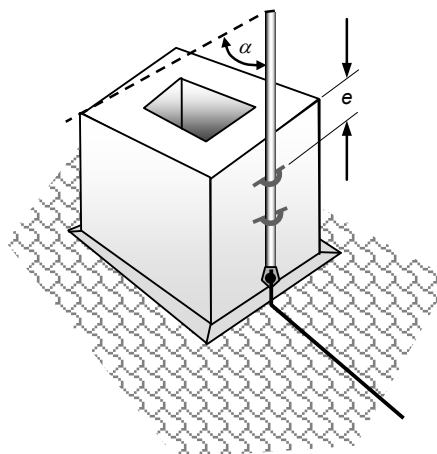
On small houses and similar structures with a roof ridge, a roof conductor should be installed on the roof ridge. If the structure is completely within the protected area provided by the roof-ridge conductor, at least two down-conductors should be routed over the gable edges at opposite corners of the structure.

The gutters at the edge of the roof may be used as natural conductors provided that they conform to 5.2.5.

Figures E.22a, E.22b and E.22c depict an example of the arrangement of the conductors on a roof and down-conductors for a sloped roof structure.



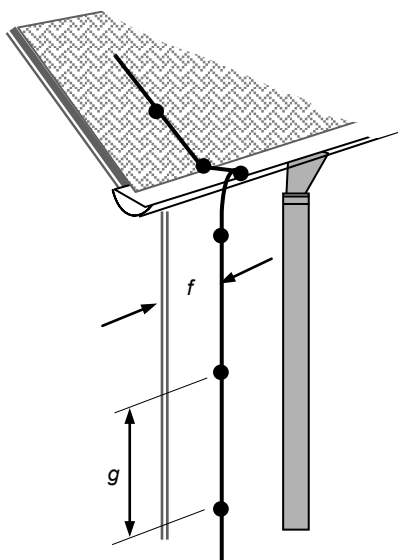
IEC 2696/10



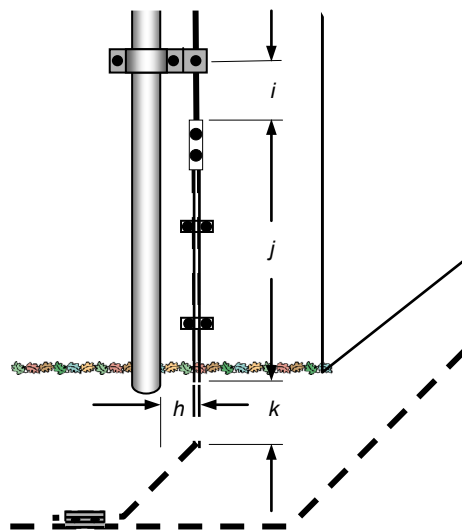
IEC 2697/10

Figure E.22a – Installation of air-termination conductor on the ridge of a sloped roof and a roof down-conductor

Figure E.22b – Installation of air-termination rod for protection of chimney using the protection angle air-termination design method



IEC 2698/10



IEC 2699/10

Figure E.22c – Installation of a down-conductor with connection to the gutter

Figure E.22d – Installation of a test joint in a down-conductor and bonding to a drain-pipe

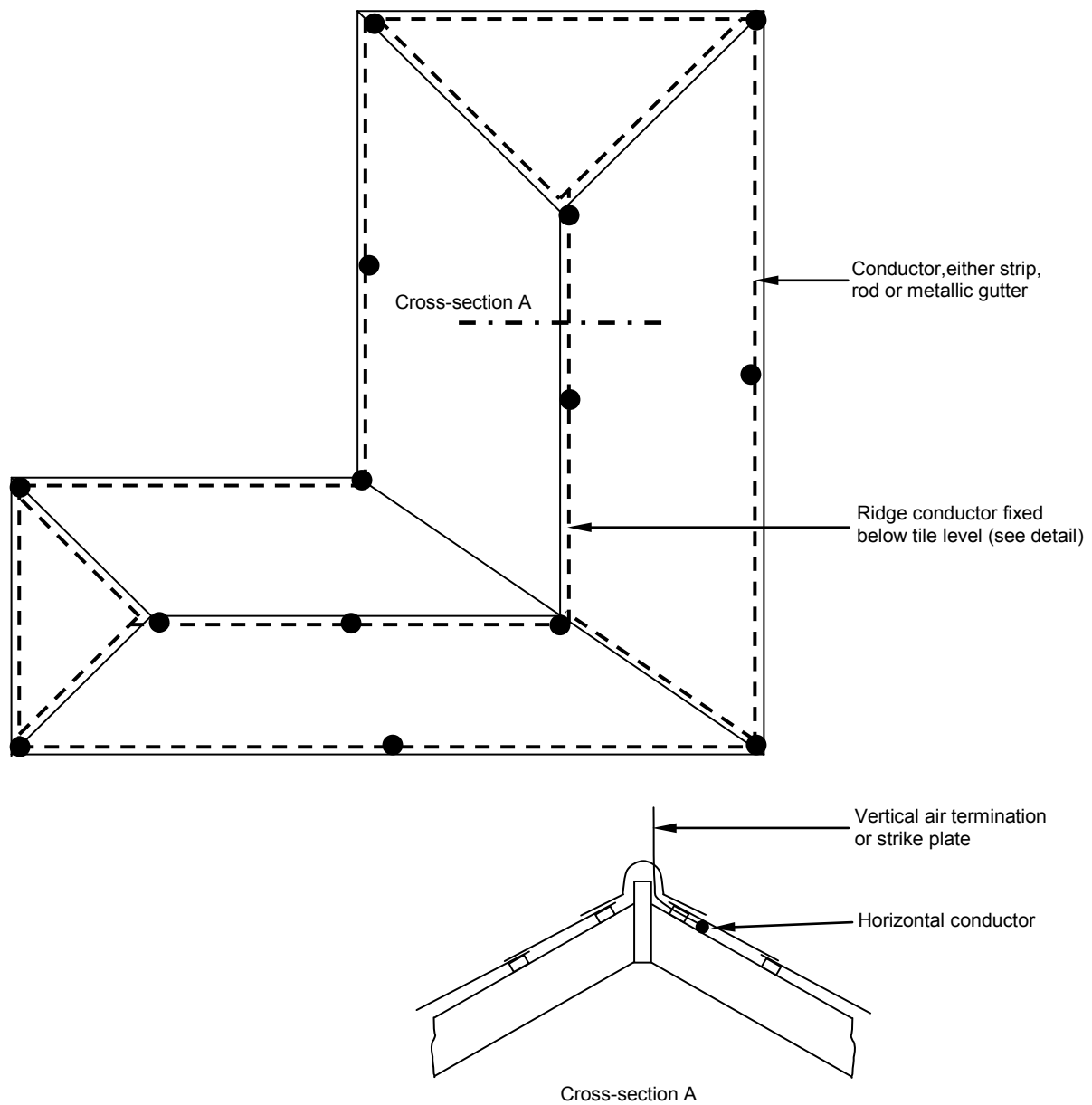
Examples of suitable dimensions:

- a 1 m
- b 0,15 m (not mandatory)
- c 1 m
- d as close to the edge as possible
- e 0,2 m
- f 0,3 m

- g 1 m
- h 0,05 m
- i 0,3 m
- j 1,5 m
- k 0,5 m
- α protection angle according to Table 2

Figure E.22 – Four examples of details of an LPS on a structure with sloped tiled roofs

Figure E.23 shows an example of an LPS with concealed conductors.



IEC 2700/10

#### Key

- concealed conductor
- vertical air termination (0,3 m high bare vertical rod) at short (<10 m) intervals or strike plates at <5m intervals

**Figure E.23 – Air-termination and visually concealed conductors for buildings less than 20 m high, with sloping roofs**

In the case of long structures, additional conductors in accordance with Table 4 should be connected to the air-termination conductors mounted on the roof ridge.

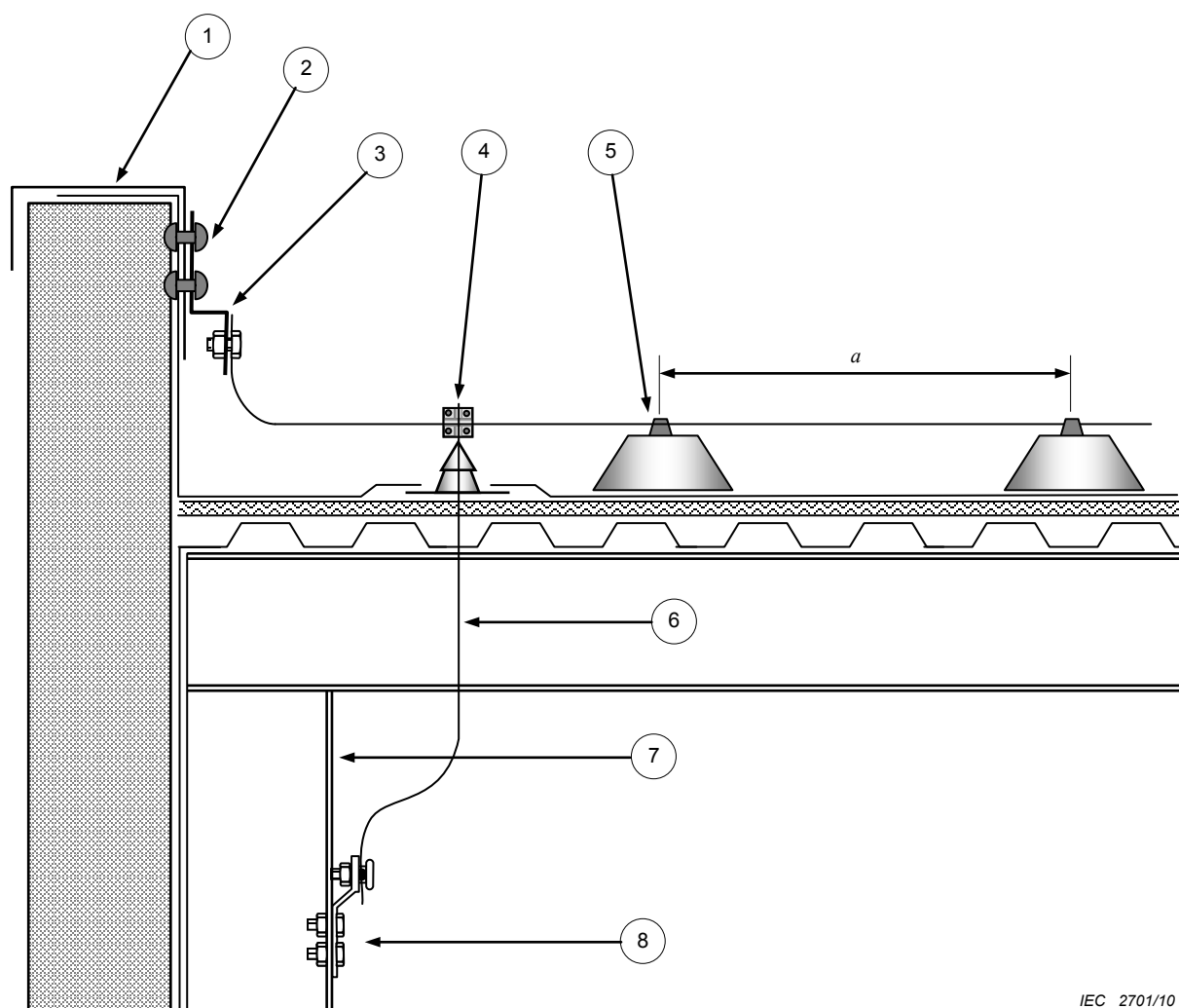
On buildings with large roof overhangs, the roof-ridge conductor should be extended to the end of the ridge. On the gable edge of the roof a conductor should be connected from the roof-ridge conductor to the down-conductor.

As far as is practicable, air-termination conductors, connecting conductors and down-conductors should be installed in a straight route. On non-conducting roofs, the conductor may be placed either under, or preferably over, the roof tiles. Although mounting it under the tiles has the advantage of simplicity and less risk of corrosion, it is better, where adequate fixing methods are available, to install it along the top of the tiles (i.e. externally) so reducing the risk of damage to the tiles should the conductor receive a direct flash. Installing the conductor above the tiles also simplifies inspection. Conductors placed below the tiles should preferably be provided with short vertical finials which protrude above roof level and are spaced not more than 10 m apart. Appropriate exposed metal plates may also be used (see Figure E.23) provided they are spaced not more than 5 m apart.

On structures with flat roofs, the perimeter conductors should be installed as close to the outer edges of the roof as practicable.

When the roof surface exceeds the mesh size stipulated in Table 2, additional air-termination conductors should be installed.

Figures E.22a, E.22b and E.22c show examples of the construction details of fixtures for air-termination conductors on the sloped roof of a structure. Figure E.24 provides an example of construction details for fixtures on a flat roof.



IEC 2701/10

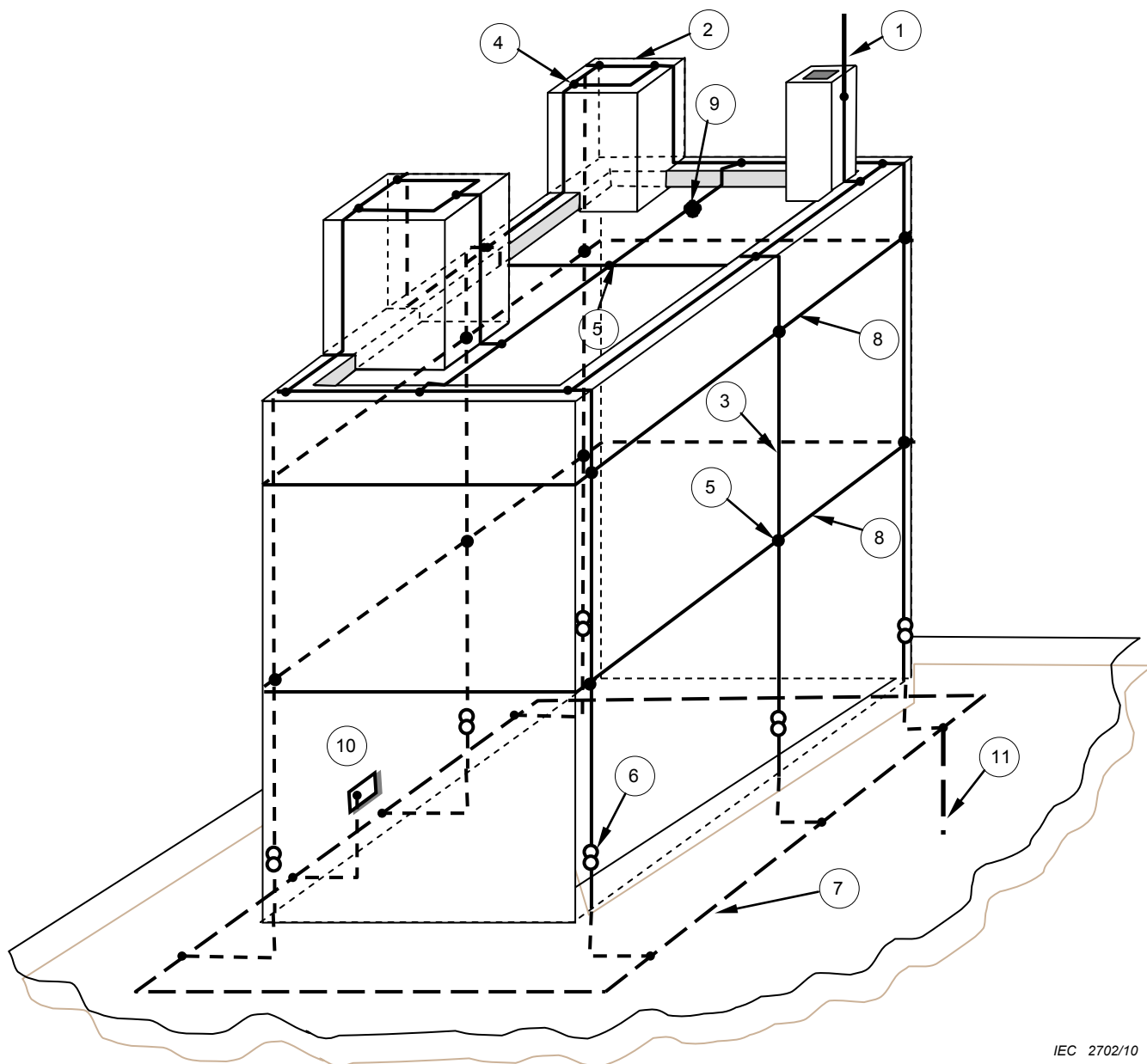
**Key**

$a$	500 mm to 1 000 mm, see Table E.1	5	air-termination conductor fixture
1	roof parapet	6	LPS passing through a watertight bushing
2	joint	7	steel girder
3	flexible conductor	8	joint
4	T-joints		

NOTE Metallic covering on the roof parapet is used as an air-termination conductor and is connected to the steel girder used as a natural down-conductor of the LPS.

**Figure E.24 – Construction of an LPS using natural components on the roof of the structure**

Figure E.25 shows the positioning of the external LPS on a structure with a flat roof made of isolating material such as wood or bricks. The roof fixtures are within the space to be protected. On high structures, a ring connected to all down-conductors is installed on the facade. The distances between these ring conductors should comply with 5.3.1. Ring conductors below the level of the rolling sphere radius are needed as equipotentialization conductors.



IEC 2702/10

**Key**

- |   |                                      |    |  |
|---|--------------------------------------|----|--|
| 1 | air-termination rod                  | 7  | B-type earthing arrangement, ring earth electrode                        |
| 2 | horizontal air-termination conductor | 8  | equipotentialization ring conductor                                      |
| 3 | down-conductor                       | 9  | flat roof with roof fixture  |
| 4 | T-type joint                         | 10 | terminal for connecting the equipotentialization bar of the internal LPS |
| 5 | cross-type joint                     | 11 | vertical earth rod   |
| 6 | TEST joint                           |    |  |

NOTE An equipotentialization ring is applied. The distance between the down-conductors complies with the requirements in Table 4.

**Figure E.25 – Positioning of the external LPS on a structure made of isolating material e.g. wood or bricks with a height up to 60 m with flat roof and with roof fixtures**

LPS conductors and rods should be mechanically secured so that they are capable of withstanding stress due to wind or weather and work carried out on the roof surface.

Metal covering provided for mechanical protection of outer walls parapet capping may be used as a natural component of the air-termination, according to 5.2.5, if there is no risk of fire ignition by melting metal. The combustibility depends on the type of material under the

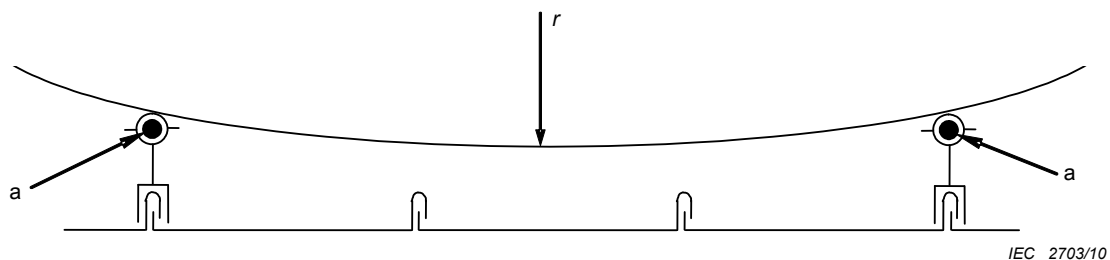


metal cladding. The combustibility of the material employed should be confirmed by the contractor.

The roof sealing arrangement on metallic roofs, as with other types of roof, can be perforated by a lightning flash. In such a case, water can penetrate and leak through the roof at a point far from the striking point. If this possibility is to be avoided, an air-termination system should be installed.

Light cupolas and smoke and heat outlet flaps are normally closed. The design for the protection of such flaps should be discussed with the purchaser/owner of the building to decide whether protection should be applicable for the flaps in the open, closed and all intermediate positions.

Roof coverings of conductive sheet which do not conform to 5.2.5 may be used as air-terminations where melting at the striking point of lightning can be accepted. If this is not acceptable, the conductive roof sheeting should be protected by an air-termination system of sufficient height (see Figure E.20 and Figure E.26).



#### Key

$r$  radius of the rolling sphere, Table 2  
 $a$  air-termination conductors

NOTE The rolling sphere should not touch any part of the metallic roof including the standing seams.

**Figure E.26 – Construction of air-termination network on a roof with conductive covering where puncturing of the covering is not acceptable**

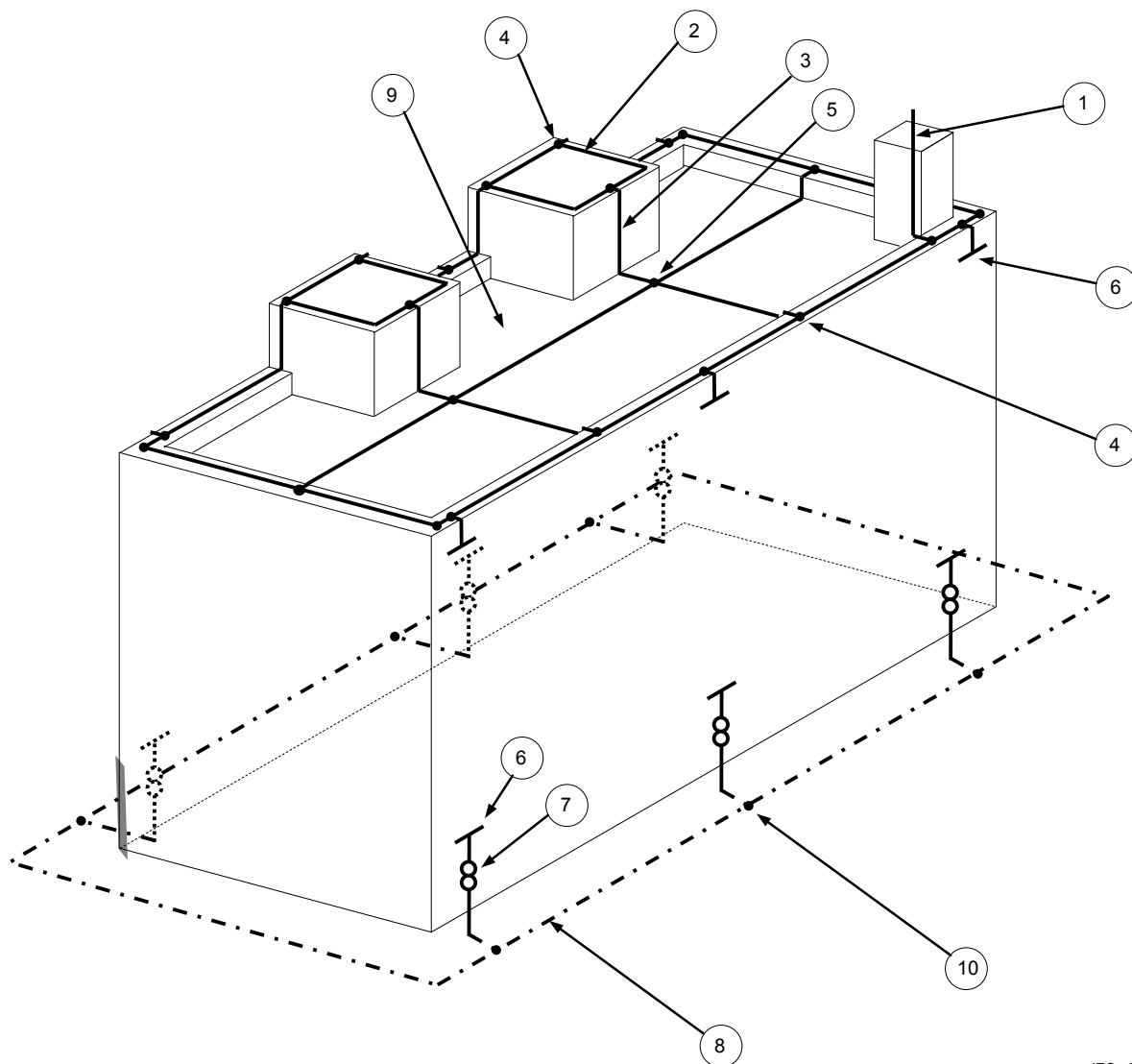
Non-conductive as well as conductive supports are allowed.

When conductive supports are used, the connection to the roof-sheet should withstand partial lightning current (see Figure E.26).

Figure E.24 shows an example of natural air-termination using a roof parapet as the air-termination conductor at the edge of the roof area.

Flush-mounted and protruding structures on the roof surface should be protected by means of air-termination rods. Alternatively, extraneous metalwork should be bonded to the LPS unless it conforms to 5.2.5.

Figure E.27 gives an example of the connection of the air-termination with the natural down-conductors in concrete.



IEC 2704/10

**Key**

- 1 air-termination rod
- 2 horizontal air-termination conductor
- 3 down-conductor
- 4 T-type joint
- 5 cross type joint
- 6 connection to steel reinforcing rods (see E.4.3.3 and E.4.3.6)
- 7 test joint
- 8 type B earthing arrangement, ring earth electrode
- 9 flat roof with roof fixtures
- 10 T-type joint – corrosion resistant

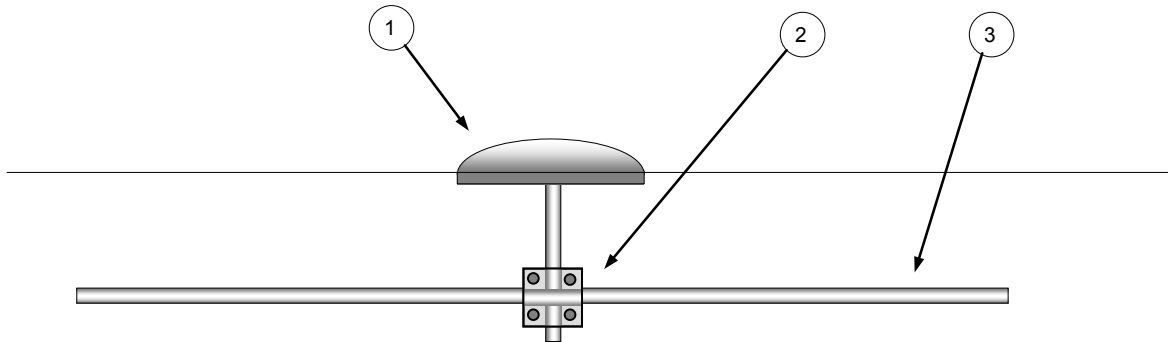
NOTE The steel reinforcement of the structure should comply with 4.3. All dimensions of the LPS should comply with the selected protection level.

**Figure E.27 – Construction of external LPS on a structure of steel-reinforced concrete using the reinforcement of the outer walls as natural components**

**E.5.2.4.2.1 Lightning protection for multi-storey car park roofs**

For the protection of this type of structure, air-termination studs may be used. These studs can be connected to the reinforcement steel of a concrete roof (see Figure E.28). In the case of roofs where a connection to the reinforcement cannot be made, the roof conductors can be laid in the seams of the carriageway slabs and air-termination studs can be located at the mesh joints. The mesh width shall not exceed the value corresponding to the protection class

given in Table 2. In this case, the persons and vehicles on this parking area are not protected against lightning.



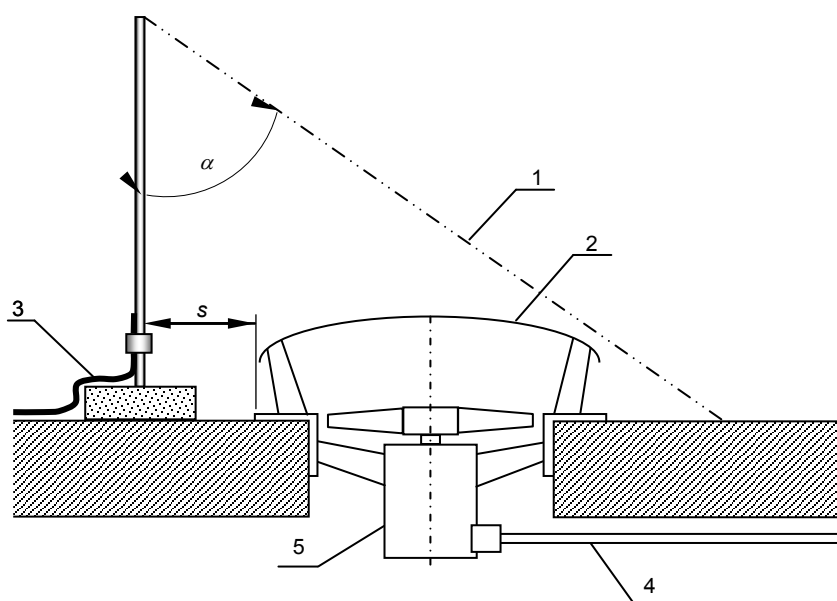
IEC 2705/10

**Key**

- 1 air-termination stud
- 2 steel conductor connecting to several bars of the reinforcement steel
- 3 steel reinforcement to concrete

**Figure E.28 – Example of an air-termination stud used on car park roofs**

If the topmost parking area is to be protected against direct lightning strikes, air-termination rods and/or overhead air-termination wires should be employed.



IEC 2706/10

**Key**

- 1 protection cone
- 2 metallic roof fixture
- 3 horizontal air-termination conductor
- 4 electric power installation line, preferably enclosed in a conductive shield
- 5 electric equipment
- s separation distance according to 6.3
- $\alpha$  protection angle, see Table 2

NOTE The height of the air-termination rod should comply with Table 2.

**Figure E.29 – Air-termination rod used for protection of a metallic roof fixture with electric power installations which are not bonded to the air-termination system**

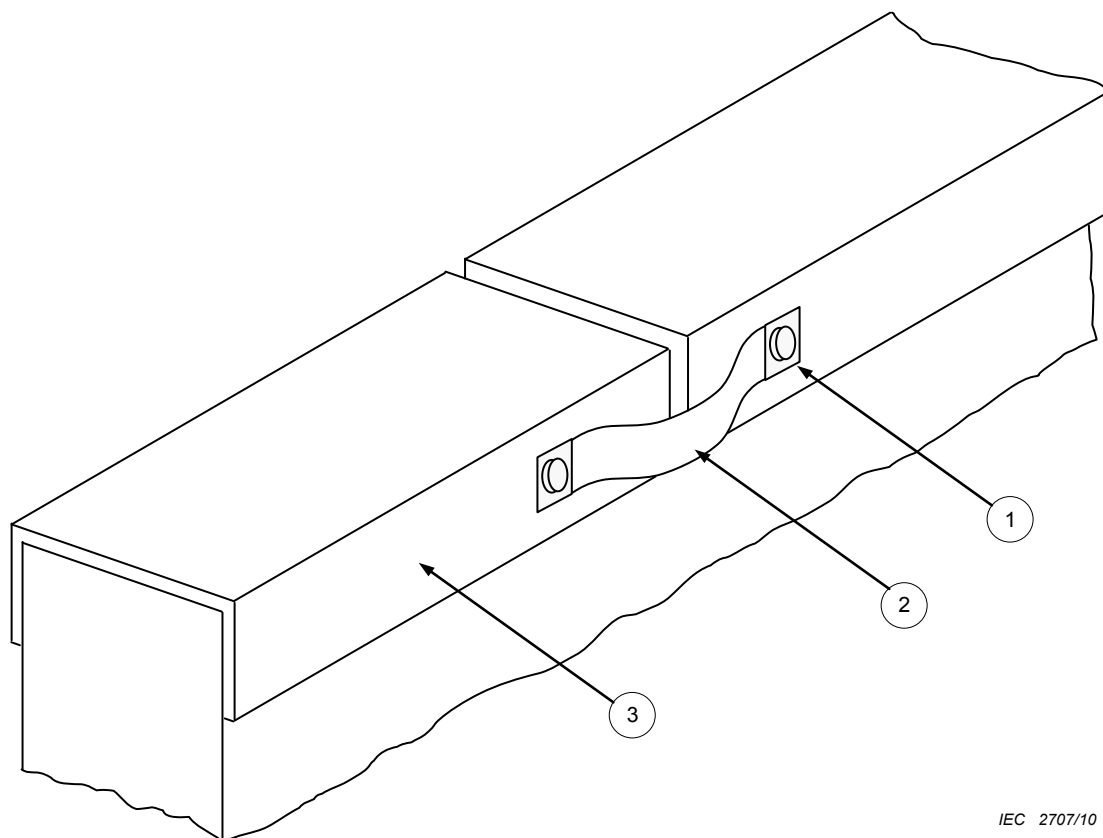
In the case of vertical conductors, the area which is possible to reach by hand should be taken into account. The necessary separation distance can be achieved either by provision of barriers or by protective wiring.

Signs should be provided at the entrances drawing attention to the danger of lightning strikes during thunderstorms.

The touch and step voltages may be disregarded if the roof is covered by a layer of asphalt of at least 50 mm thickness. Additionally, the step voltages may be disregarded if the roof is constructed of reinforced concrete with interconnected reinforcement steel with continuity conforming to 4.3.

**E.5.2.4.2.2 Flat-roofed, steel-reinforced concrete structures with roofs not accessible to the public**

On a flat roof not accessible to the public that incorporates an external air-termination system, air-termination conductors should be installed as shown in Figure E.27. For the equipotential ring conductor on the roof, the metal cladding on the roof parapet may be used as shown in Figure E.24 and Figure E.30.



IEC 2707/10

**Key**

- 1 corrosion-resistant joint
- 2 flexible conductor
- 3 metallic covering of the parapet

NOTE Special attention should be paid to the proper selection of materials and good design of joints and bridging conductors to avoid corrosion.

**Figure E.30 – Method of achieving electrical continuity on metallic parapet capping**

Figure E.27 shows a method of installing meshed conductors on a roof.

When temporary mechanical damage of the waterproof layer on the roof of a structure is acceptable, the air-termination mesh covering the flat area of the roof may be replaced with natural air-termination conductors consisting of steel reinforcement bars in concrete according to 5.2.4. An acceptable alternative is that the LPS air-termination conductors may be fixed directly on the concrete roof.

In general, a lightning flash to the reinforcement of a concrete roof will damage the waterproof layer. Rainwater may then cause corrosion of the steel-reinforcing rods leading to damage. If reduction in the mechanical strength of concrete due to the corrosion is not permitted, an air-termination system should be installed and preferably bonded to the reinforcement steel, preventing direct lightning flashes to the steel-reinforced concrete.

Metal covering that is provided for mechanical protection of outer walls (parapet capping) may be used as a natural component of the air-termination according to 5.2.5 if there is no risk of fire ignition by melting metal.

Roof coverings of conductive sheets not conforming to Table 3 may be used as air-termination conductors where melting at the point of lightning flashes can be tolerated. If not, the conductive roof sheeting should be protected by an air-termination system of sufficient height (see Figures E.20 and E.26). In this case, the rolling sphere method should be applied.

To conform to this method the mesh size has to be smaller and the supports higher than that for an ordinary mesh air-termination system.

When conductive supports are used, the connection to the roof-sheet should withstand partial lightning current.

Figure E.24 shows an example of a natural air-termination using a roof parapet as the air-termination conductor at the edge of the roof area.

When it is acceptable for temporary damage to the facade to occur, and shattered parts of up to 100 mm of broken concrete to fall down from the structure, 5.2 permits the ring conductor on the roof to be replaced by a natural ring conductor consisting of steel reinforcement in concrete.

Metal parts which do not satisfy the conditions of air-terminations stipulated in 5.2.5 may, however, be used to connect the different lightning-current-carrying parts within the domain of the roof area.

#### **E.5.2.4.2.3 Provision of adequate structure shielding**

The outer walls and roof of a structure may be used as an electromagnetic shield in order to protect electrical and information-processing equipment within the structure (see Annex B of IEC 62305-2:2010 and IEC 62305-4).

Figure E.27 provides an example of a steel-reinforced concrete structure using the interconnected reinforcing steel as down-conductors and as electromagnetic shielding of the enclosed space. For more details see IEC 62305-4.

Within the domain of the air-termination system on the roof, all conductive parts with at least one dimension larger than 1 m should be interconnected to form a mesh. The meshed shield should be connected to the air-termination system at the roof edge and also at other points within the roof area in accordance with 6.2.

Figures E.24 and E.30 show the construction of air-terminations on structures with conductive skeletons using a roof parapet as a natural air-termination and the steel skeleton as natural down-conductors.

In Figure E.30 an example is given of how to provide electrical continuity of natural components in an LPS.

As a result of the reduced mesh size of steel structures compared with Table 2, the lightning current is distributed over several parallel conductors, resulting in a low electromagnetic impedance and consequently in accordance with 6.3, the separation distances are reduced and the necessary separation distances between the installations and the LPS are not required.

In most structures the roof is the least shielded part of the structure. Therefore, particular attention should be paid to improve the shielding efficiency of roof constructions.

When no conductive structural elements are incorporated in the roof, shielding may be improved by reducing the spacing of the roof conductors.

#### **E.5.2.4.2.4 Protection of flush-mounted or protruding roof fixtures**

Air-termination rods for the protection of metal, flush-mounted roof fixtures or protruding roof fixtures should be of such height that the fixture to be protected lies fully within the rolling sphere protection space of the air-termination rod or is fully within the cone of the protection angle in accordance with Table 2. The separation distance between the air-termination rods and the roof fixtures should be such that the proximity condition stipulated in 6.3 is satisfied.

Figure E.29 shows an example of roof fixture protection by air-termination rods using the protection angle air-termination design method. The value of the protection angle shall be consistent with the protection level of the LPS stipulated in Table 2.

Metal roof fixtures, not protected by air-termination rods, do not require additional protection if their dimensions do not exceed all of the following values:

- height above the roof level 0,3 m;
- total area of the fixture 1,0 m<sup>2</sup>;
- length of the fixture 2,0 m.

Metal flush mounted roof fixtures not fulfilling these requirements and not being within the requirements for the separation distance according to 6.3 should be bonded to the air-termination system with at least one bonding conductor.

Non-conductive roof fixtures which are not within the protected volume by air-termination rods and which do not protrude by more than 0,5 m above the surface formed by the air-termination system do not require additional protection from air-termination conductors.

Conductive installations, such as electrical conductors or metallic pipes, which lead from flush-mounted roof fixtures into the interior of the building, can conduct a considerable portion of the lightning current into the interior of the building. Where such conductive connections exist, the protruding fixtures on the roof surface should be protected by air-termination systems. If protection by means of an air-termination system is not possible or cost-effective, isolated parts, with lengths corresponding to at least twice the specified separation distance, can be installed in the conductive installations (e.g. compressed air pipes).

Chimneys of non-conductive material should be protected by means of air-termination rods or air-termination rings when they are not within the protection space of an air-termination system. The air-termination rod on a chimney should be of such height that the complete chimney lies within the protection space of the rod.

A lightning flash to a non-conductive chimney is possible when the chimney is not situated within the protection space of an air-termination system, due to the fact that the inner surface of the chimney is covered by a soot deposit possessing a conductivity such that, even in the absence of rain, it is capable of conducting the current of a streamer discharge of great length.

Figure E.22b shows the construction of an air-termination rod on a chimney made of isolating bricks.

#### **E.5.2.4.2.5 Protection of roof fixtures enclosing electrical or information-processing equipment**

All roof fixtures of non-conductive or conducting material, which contain electrical and/or information-processing equipment, should lie within the protection space of the air-termination system.

A direct flash into equipment installed inside the protection space of the air-termination system is improbable.

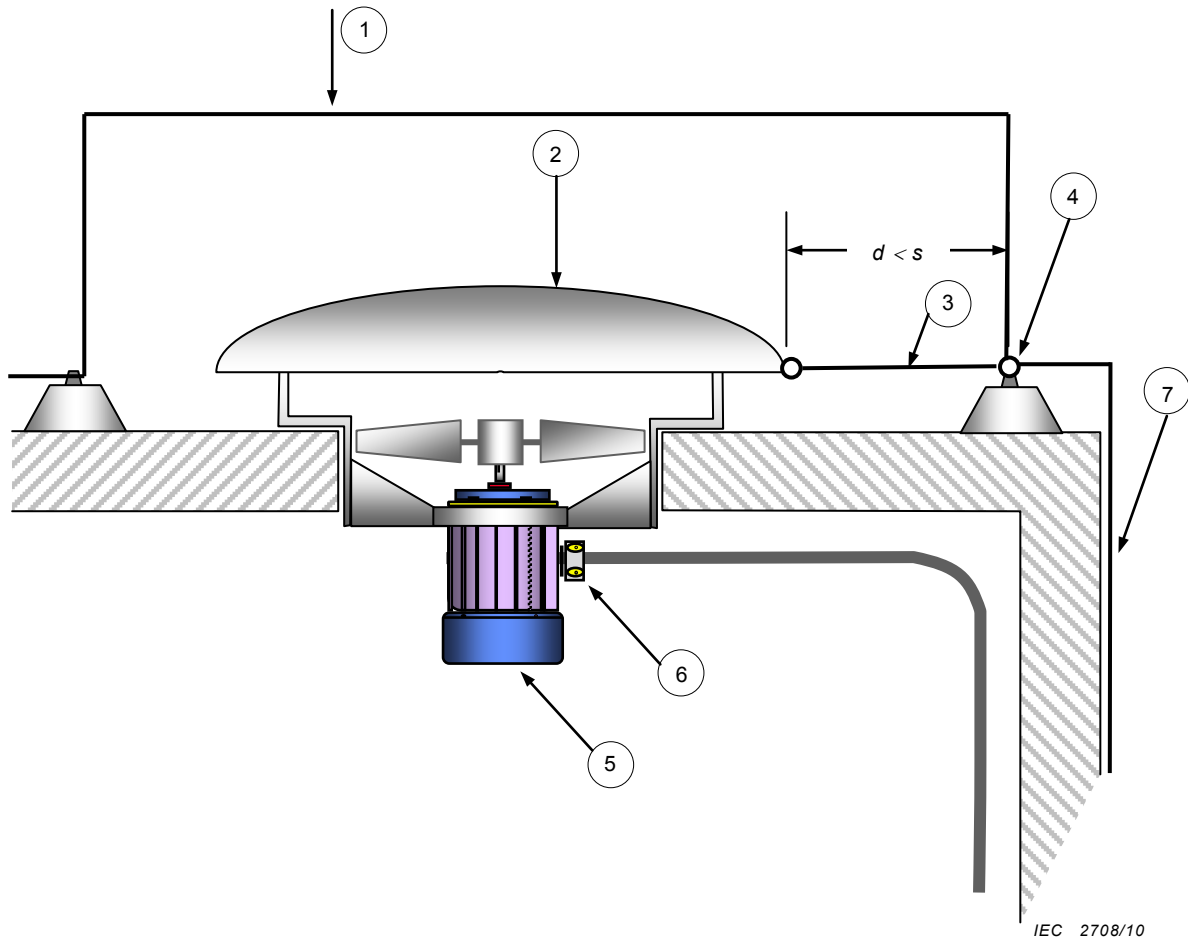
A direct flash into the roof fixture would lead not only to its destruction but would also cause extended damage to the connected electrical and electronic equipment not only in the roof fixtures, but also inside the building.

Roof fixtures on steel structures should also lie in the protection space of the air-termination system. In this case, protruding air-termination conductors should be bonded not only to the

air-termination system but also to the steel structure directly, if possible. When bonded to the structure they need not conform to the separation distance.

The requirements for roof fixtures should also apply to fixtures installed on vertical surfaces to which a lightning strike is possible, i.e. which can be touched by the rolling sphere.

Figure E.29 and Figure E.31 contain examples of air-termination constructions which protect the roof fixtures of conducting and isolating material enclosing electrical installations. Figure E.31 is only suitable if the separation distance,  $s$ , cannot be maintained.



**Key**

- 1 air-termination conductor
- 2 metallic cover
- 3 bonding conductor
- 4 horizontal air-termination conductor
- 5 electric equipment
- 6 electric power junction box with SPD
- 7 down-conductor

NOTE The enclosed electric equipment is bonded to the air-termination system complying with E.5.2.4.2.6, through the metallic cable shield withstanding a substantial part of the lightning current.

**Figure E.31 – Metallic roof fixture protected against direct lightning interception, connected to air-termination system**



NOTE If the fixtures need extra protection, SPDs on the active cables connected to it can be provided at roof level.

The required separation distance should be maintained not only in air but also for the path through solid material ( $k_m = 0,5$ ).

#### **E.5.2.4.2.6 Electrical installation protruding from the space to be protected**

Antenna on the roof of a structure should be protected against direct lightning flashes by installing the antenna in an already protected volume.

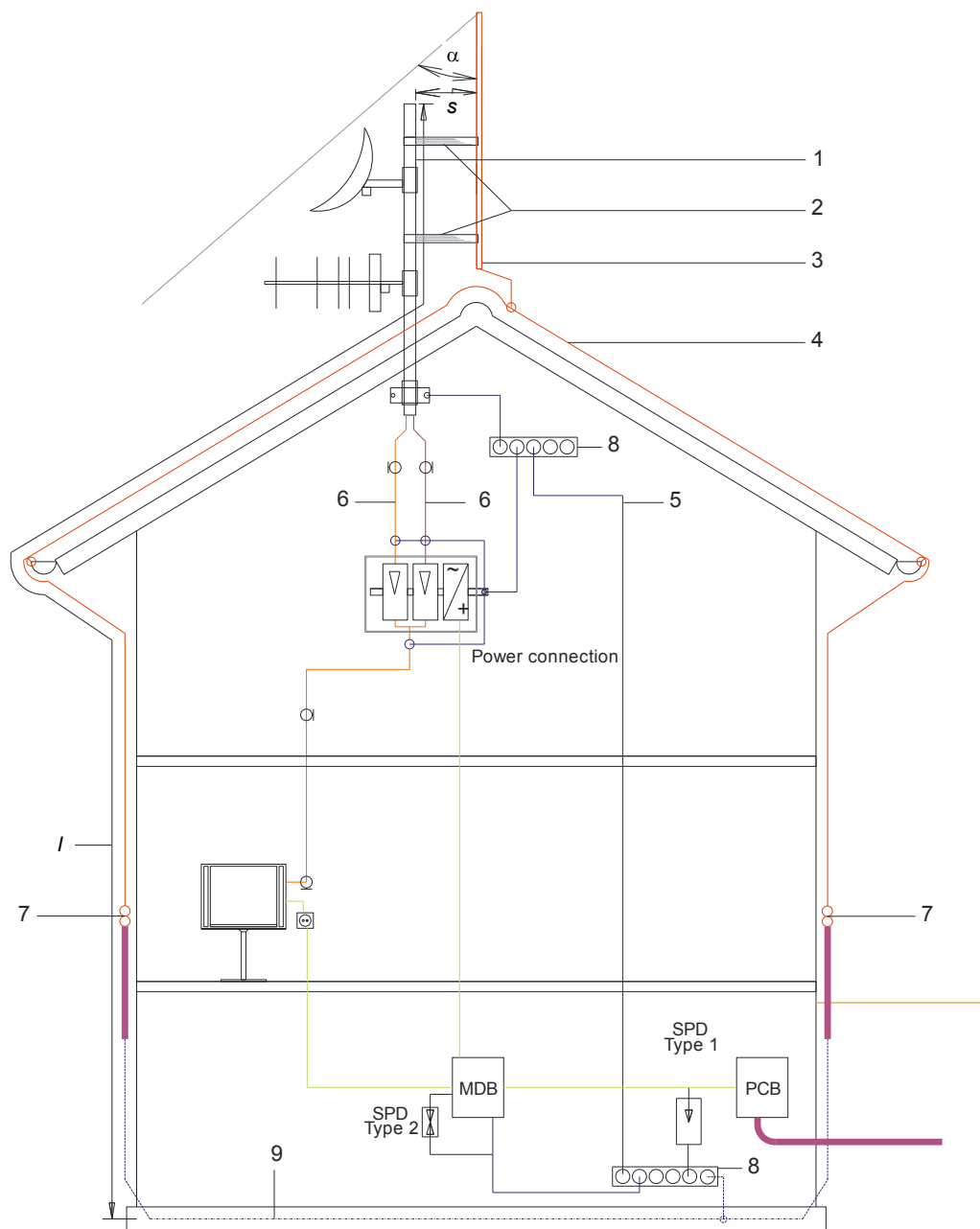
The antenna system should be integrated into the LPS ( see also IEC 60728-11 <sup>[6]</sup>).

An isolated external LPS (see Figure E.32a) or a non-isolated external LPS (see Figure E.32b) may be used.

In this latter case, the antenna mast should be bonded to the air-termination system. Then partial lightning currents will be treated as being inside the structure to be protected. The antenna cable should enter the structure preferably at the common entrance for all services or near the main LPS bonding bar. The antenna cable conductive sheath should be bonded to the air-termination system at roof level and to the main bonding bar.

Roof fixtures housing electrical equipment for which the separation distance cannot be maintained, should be bonded to the air-termination system and to the conductive elements of the roof fixtures and the conductive shield of its electrical equipment in accordance with Table 9.

Figure E.31 is an example of the method of bonding a roof fixture with conductive parts to an electrical installation and the air-termination of a structure.

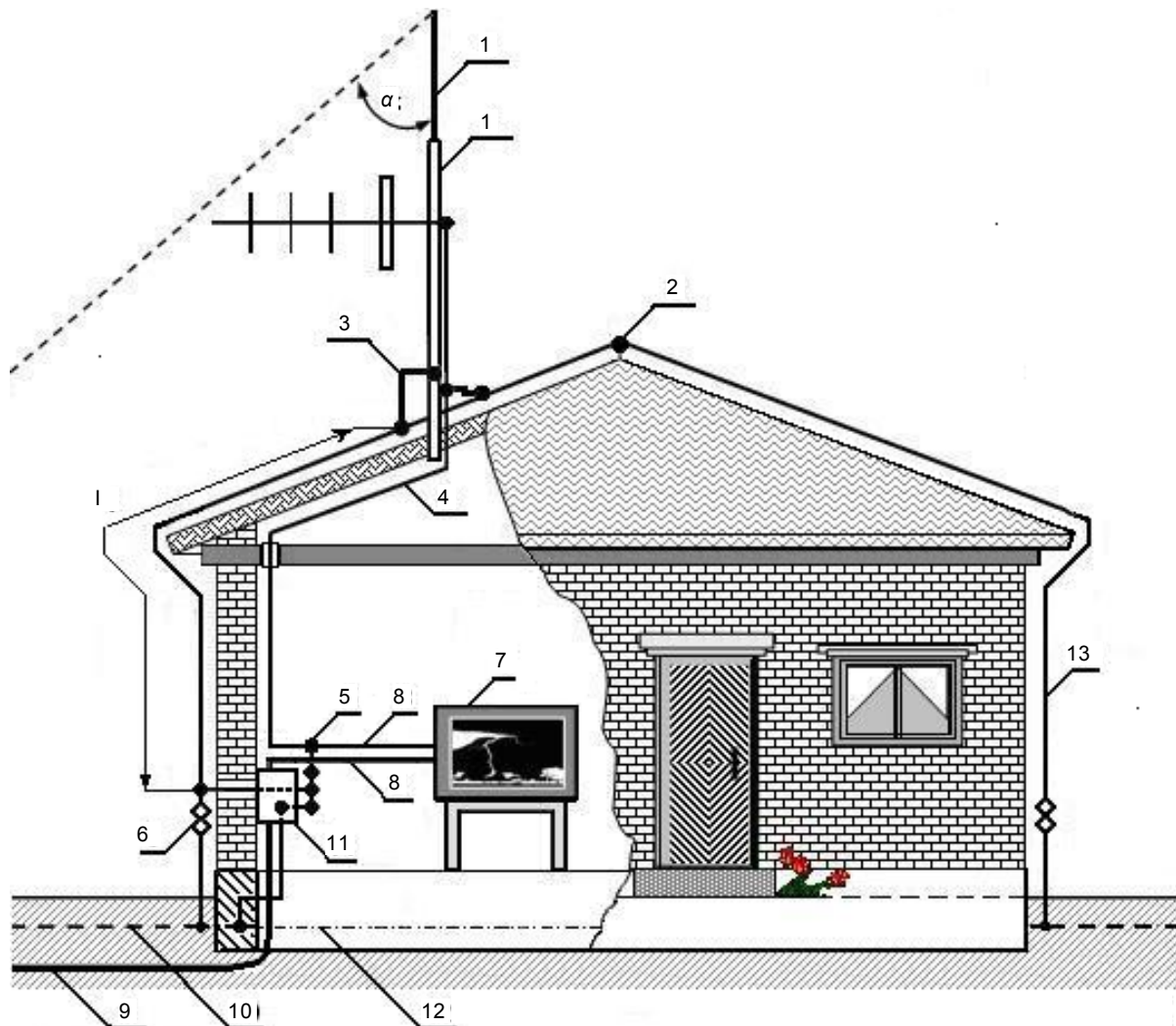


IEC 2709/10

**Key**

- 1 metallic mast
- 2 isolator
- 3 air-termination rod
- 4 air-termination conductor
- 5 bonding conductor
- 6 antenna cable
- 7 test joint
- 8 equipotential bonding bar
- 9 foundation earth electrode
- $\alpha$  protection angle
- $s$  separation distance
- $l$  length to be considered for separation distance calculation
- MDB main distribution box
- PCB power connection box

**Figure E.32a –TV antenna mast and antennas protected with isolated air-terminations planned according to the protection angle method**



IEC 2710/10

**Key**

- 1 metallic mast
- 2 horizontal air-termination conductor on the ridge of the roof
- 3 joint between the roof down-conductor and the metallic antenna mast
- 4 antenna cable
- 5 main bonding bar; metallic shield on the antenna cable is connected to the bonding bar
- 6 test joint
- 7 TV
- 8 parallel routing of the antenna cable and the electric power cable
- 9 electric power cable
- 10 earth-termination system
- 11 the main electric power distribution box with SPD
- 12 foundation earth electrode
- 13 LPS conductor
- $\alpha$  protection angle
- $l$  length to be considered for separation distance calculation

NOTE For small structures only two down-conductors may be sufficient, according to 5.3.3.

**Figure E.32b –TV antenna using the mast as an air-termination rod**

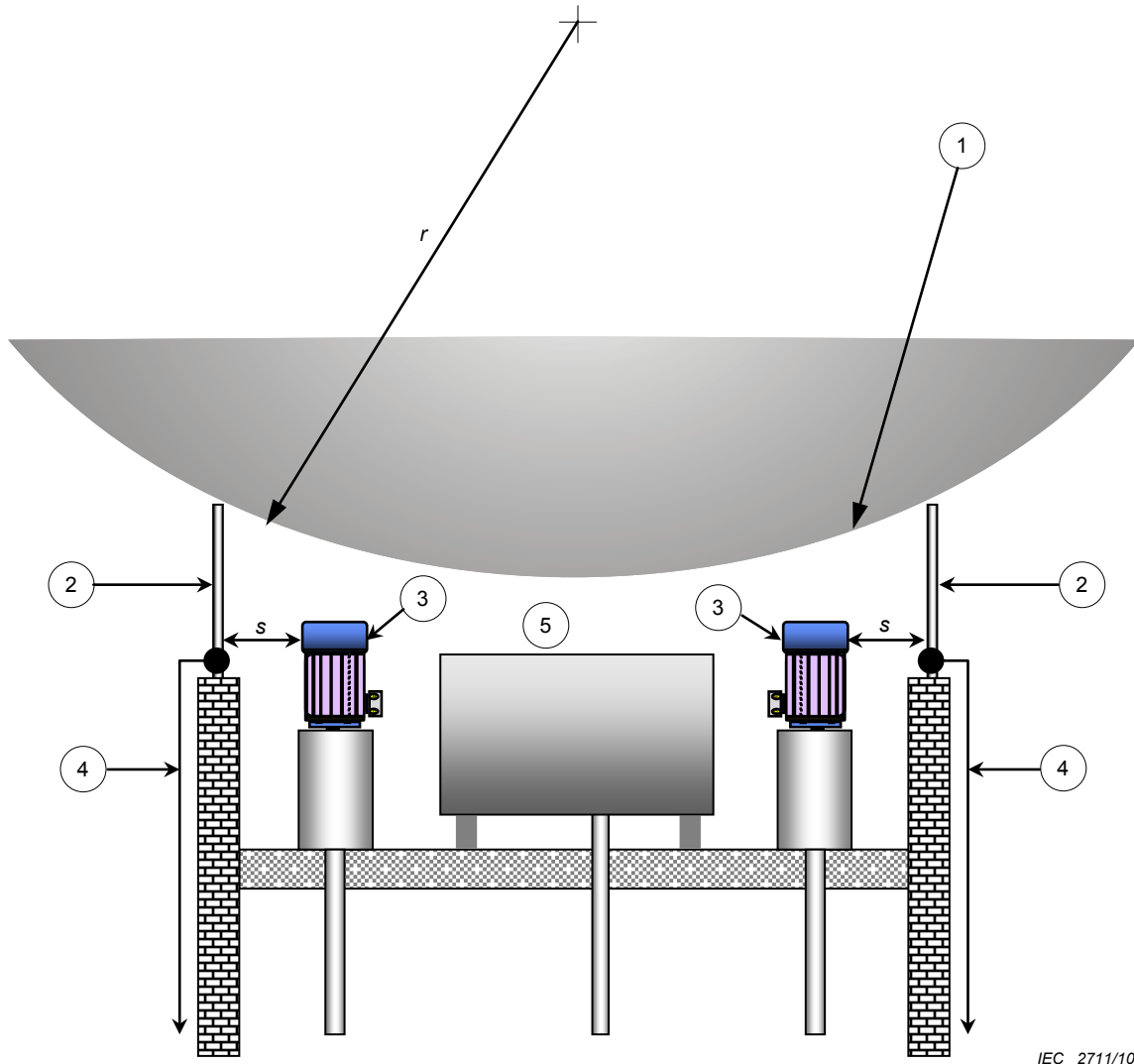
**Figure E.32 – Examples of lightning protection of a house with a TV antenna**

#### E.5.2.4.2.7 Protection of conductive parts on the roof

Conductive items, such as those with insufficient wall thickness, which cannot withstand lightning strikes and which are installed on roofs, and also conductive roof coverings or other

parts on structures which do not meet the requirements for natural air-termination systems according to 5.2.5 and Table 3, and in which a lightning flash cannot be tolerated, should be protected by air-termination conductors.

For the design of the lightning protection for conductive parts on the roof the rolling sphere air-termination design method should be applied (see Figure E.33).



IEC 2711/10

**Key**

- 1 rolling sphere
- 2 air-termination rod
- 3 electric equipment
- 4 down-conductor
- 5 metallic vessel
- $r$  radius of the rolling sphere, see Table 2
- $s$  separation distance according to 6.3

**Figure E.33 – Installation of lightning protection of metallic equipment on a roof against a direct lightning flash**

Figure E.31 is an example of the design of an air-termination system protecting a conductive roof fixture against a direct lightning flash when the separation distance,  $s$ , cannot be maintained.

#### **E.5.2.4.2.8 Protection of structures covered by soil**

For structures incorporating a layer of soil on the roof and where people are not regularly present, a normal LPS may be utilized. The air-termination system should be a meshed air-termination system on top of the soil, or a number of air-termination rods, connected by a buried mesh, conforming to the rolling sphere or protection angle method. If this is not possible, it should be recognized that a buried meshed air-termination system without rods or finials will offer a reduced interception efficiency.

Structures with a roof layer of soil up to 0,5 m where people are regularly present, will need a meshed air-termination system with meshes of 5 m × 5 m to prevent dangerous step voltages. To protect the people on the ground from direct lightning flashes, air-termination rods conforming to the rolling sphere method, may also be necessary. These rods can be replaced by natural air-termination components, such as fences, lighting masts, etc. The height of the air-termination systems shall take into account people's height allowance of 2,5 m along with the necessary separation distances (see also Figure E.3).

If nothing of the kind is available, people should be made aware that during a thunderstorm they may be exposed to a direct lightning flash.

For underground structures with a layer of soil over 0,5 m, measures are under consideration. As long as there is no research available, it is advisable to use the same measures as for layers of soil up to 0,5 m.

For underground structures containing explosives materials, an additional LPS shall be required. Such an additional LPS may be an isolated LPS over the structure. The earthing systems of both protection measures should be interconnected.

#### **E.5.2.5 Natural components**

On structures with flat roofs, the metal covering of a roof parapet represents a typical natural component of an LPS air-termination network. Such covering comprises extruded or bent parts of aluminium, galvanized steel or copper in U-form which protect the upper surface of the roof parapet against the influence of weather. The minimum thickness given in Table 3 shall be applied for such an application.

The air-termination conductors, conductors on the roof surface and the down-conductors should be connected to the roof parapet covering.

Conductive bridging should be provided at the joints between sections of parapet covering plates, unless there is good, reliable continuity between them.

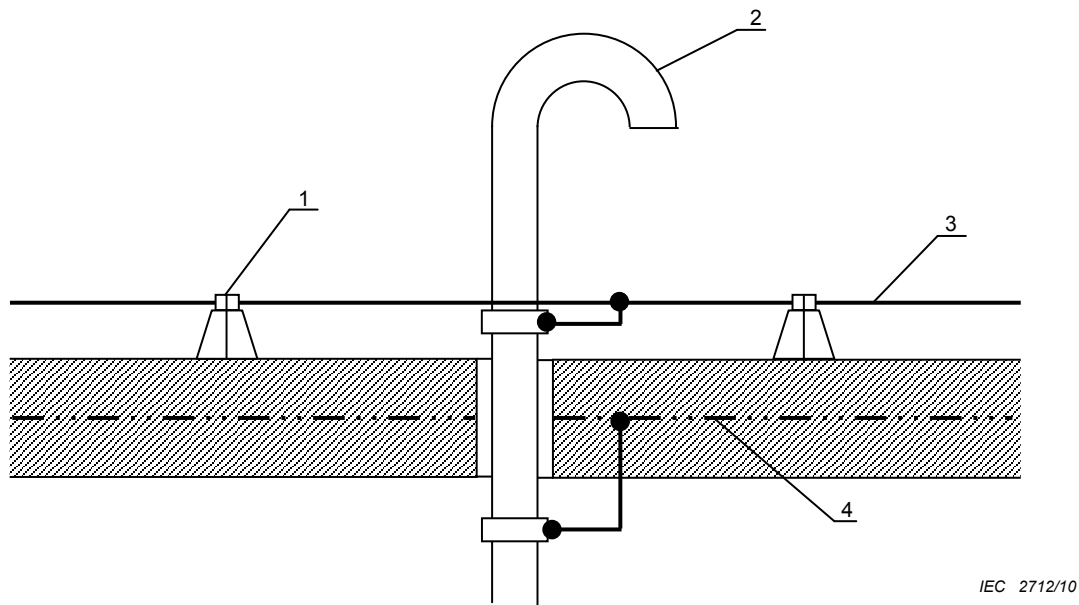
Figure E.24 is an example of an air-termination construction using the conductive covering of parapets as a natural air-termination conductor of the LPS.

Conductive parts, such as metal tanks, metal pipework and railings mounted on or extending above a roof surface may be treated as natural components of an air-termination system provided their wall thickness conforms to Table 3.

Vessels and pipework, which contain gas or liquids under high pressure or flammable gas or liquids, should not be used as natural air-terminations. Where this cannot be avoided, the heating effects of lightning current should be taken into account when designing the pipework.

Conductive parts above the roof surface such as metal tanks, are often naturally connected to equipment installed within the structure. In order to prevent conduction of the full lightning current through the structure, it is necessary to provide a good connection between such natural components of the LPS and the air-termination mesh.

Figure E.34 is an example which shows details of the bonding of conductive roof fixtures to air-termination conductors.



**Key**

- 1 air-termination conductor fixing
- 2 metallic pipe
- 3 horizontal air-termination conductor
- 4 steel reinforcement within concrete

NOTE 1 The steel pipe should comply with 5.2.5 and Table 6, the bonding conductor should comply with Table 6 and the reinforcement should comply with 4.3. The roof bonding should be watertight.

NOTE 2 In this particular case bonding is provided to the reinforcement of the reinforced concrete structure.

**Figure E.34 – Connection of natural air-termination rod to air-termination conductor**

Conductive parts above the roof surface such as metal tanks and steel reinforcing rods of concrete should be connected to the air-termination network.

When a direct lightning strike into the conductive part on the roof is not acceptable, the conductive part shall be installed inside the protection space of an air-termination system.

Conductive coverings on facades and equivalent parts of structures where the risk of fire is negligible should be treated in accordance with 5.2.5.

Figure E.35 shows an example of conductive bridging between metal facade plates acceptable in those applications where the plates are to be used as natural down-conductors. Two methods are presented: bridging by flexible metal strapping and bridging by means of self-threading screws.

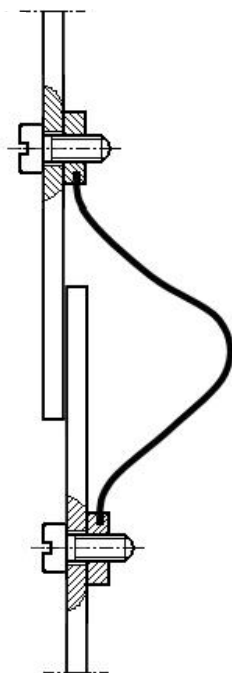
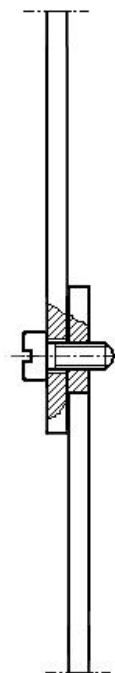


Figure E.35a – Flexible metal strapping bridging



IEC 2713/10

Figure E.35b – Self-tapping screw bridging

NOTE Electrically conducting bridging improves, in particular, the protection against LEMP. More information concerning protection against LEMP can be found in IEC 62305-4.

### Figure E.35 – Construction of the bridging between the segments of the metallic facade plates

#### E.5.2.6 Isolated air-termination

Air-termination masts adjacent to structures or equipment to be protected are intended to minimize the possibility of lightning strikes to structures within their zone of protection when an isolated LPS is installed.

When more than one mast is installed, they may be interconnected by means of overhead conductors and the proximity of the installations to the LPS should be in accordance with 6.3.

Overhead conductor connections between the masts extend the protected volume and also distribute the lightning current between several down-conductor paths. The voltage drop along the LPS and the electromagnetic interference in the space to be protected are therefore lower than in the case when the overhead conductors are not present.

The strength of the electromagnetic field in the structure is reduced because of the greater distance between the installations within the structure and the LPS. An isolated LPS may also be applied to a structure of reinforced concrete, which will improve the electromagnetic shielding even more. However, for tall structures the construction of an isolated LPS is not practical.

Isolating air-termination systems made of stretched wires on isolating supports could be suitable where a large number of extensive protruding fixtures on the roof surface are to be protected. The isolation of the supports should be adequate for a voltage calculated from the separation distance in accordance with 6.3.

NOTE Environmental conditions (pollution) can lower the voltage breakdown of the air; this should be taken into account when determining the required separation between the isolated air-termination system and the structure.

### **E.5.3 Down-conductor systems**

#### **E.5.3.1 General**

The choice of number and position of down-conductors should take into account the fact that, if the lightning current is shared in several down-conductors, the risk of side flash and electromagnetic disturbances inside the structure is reduced. It follows that, as far as possible, the down-conductors should be uniformly placed along the perimeter of the structure and with a symmetrical configuration.

The current sharing is improved not only by increasing the number of down-conductors but also by equipotential interconnecting rings.

Down-conductors should be placed as far as possible away from internal circuits and metallic parts in order to avoid the need for equipotential bonding with the LPS.

It should be remembered that

- the down-conductors should be as short as possible (to keep inductance as small as possible),
- the typical distance between down-conductors is shown in Table 4,
- the geometry of down-conductors and equipotential interconnecting rings has an influence on the value of the separation distance (see 6.3),
- in cantilevered structures the separation distance should also be evaluated with reference to the risk of side-flashing to persons (see E.4.2.4.2).

If it is not possible to place down-conductors at a side, or part of a side, of the building because of practical or architectural constraints, the down-conductors that ought to be on that side should be placed as extra compensating down-conductors at the other sides. The distances between these down-conductors should not be less than one-third of the distances in Table 4.

A variation in spacing of the down-conductors of  $\pm 20\%$  is acceptable as long as the mean spacing conforms to Table 4.

In closed courtyards with more than 30 m perimeter, down-conductors have to be installed. Typical values of the distance between down-conductors are given in Table 4.

#### **E.5.3.2 Number of down-conductors for isolated LPS**

No additional information.

#### **E.5.3.3 Number of down-conductors for non-isolated LPS**

As stated in 5.3.3, a down-conductor should be installed at each exposed corner of the structure, where this is possible. However, an exposed corner does not need a down-conductor if the distance between this exposed corner to the nearest down-conductors complies with the following conditions:

- the distance to both adjacent down-conductors is half the distance according to Tables 4 or smaller; or
- the distance to one adjacent down-conductor is one-quarter of the distance according to Tables 4 or smaller.

Inside corners can be disregarded.



### **E.5.3.4 Construction**

#### **E.5.3.4.1 General information**

External down-conductors should be installed between the air-termination system and the earth-termination system. Wherever natural components are available, they can be used as down-conductors.

If the separation distance between down-conductors and the internal installations, calculated on the basis of the down-conductor spacing according to Table 4, is too large, the number of down-conductors should be increased to meet the required separation distance.

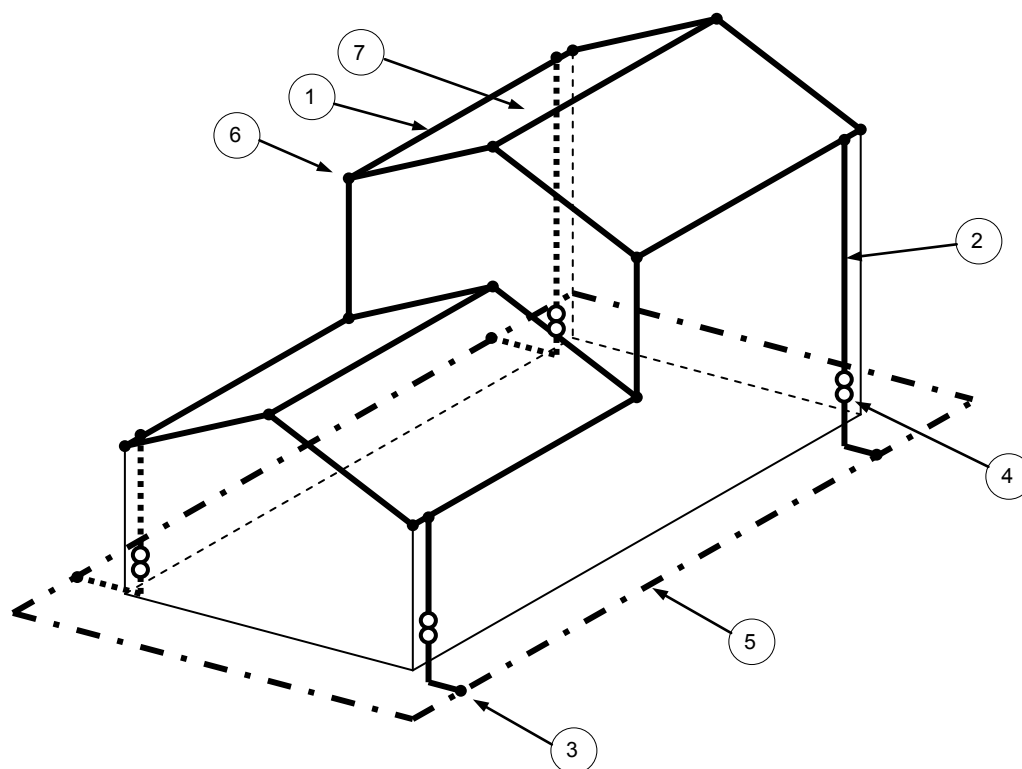
Air-termination systems, down-conductor systems and earth-termination systems should be harmonized to produce the shortest possible path for the lightning current.

Down-conductors should preferably be connected to junctions of the air-termination system network and routed vertically to the junctions of the earth-termination system network.

If it is not possible to make a straight connection because of large roof overhangs, etc. the connection of the air-termination system and the down-conductor should be a dedicated one and not through natural components like rain gutters, etc.

It is permitted, where aesthetic consideration need to be taken into account, to use a thin coating of protective paint or PVC covering over the external down-conductors.

Figure E.36 is an example of an external LPS for a structure with different levels of roof construction and Figure E.25 is an example of the external LPS design for a 60 m high structure with a flat roof with roof fixtures.



IEC 2714/10

**Key**

- 1 horizontal air-termination conductor
- 2 down-conductor
- 3 T-type joint – corrosion resistant
- 4 test joint
- 5 type B earthing arrangement, ring earth electrode
- 6 T-type joint on the ridge of the roof
- 7 mesh size

NOTE The distance between the down-conductors should comply with 5.2, 5.3 and Table 4.

**Figure E.36 – Installation of external LPS on a structure of insulating material with different roof levels**

In structures without extensive continuous conductive parts, the lightning current only flows through the ordinary down-conductor system of the LPS. For this reason, the geometry of down-conductors determines the electromagnetic fields within the interior of the structure (see Figure E.37).

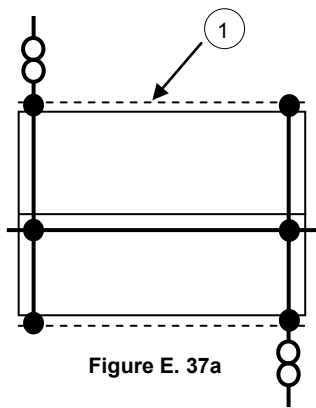


Figure E. 37a

IEC 2715/10

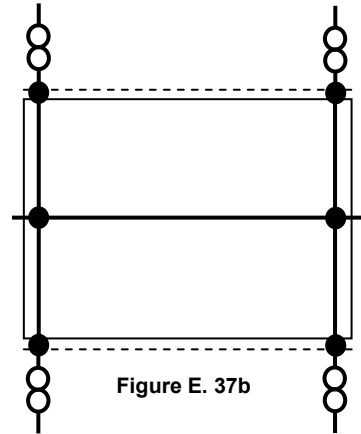


Figure E. 37b

IEC 2716/10

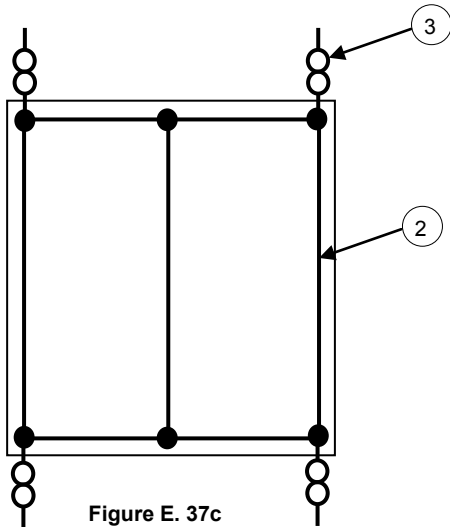


Figure E. 37c

IEC 2717/10

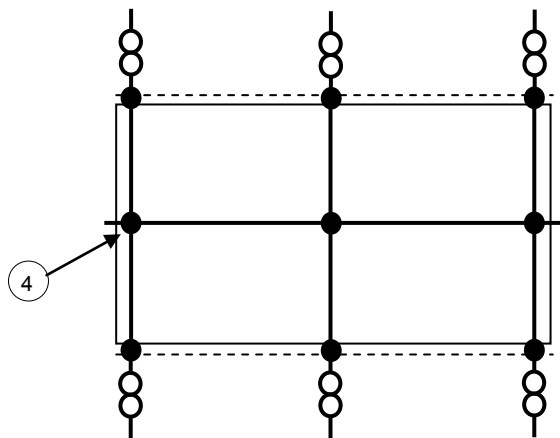


Figure E. 37d

IEC 2718/10

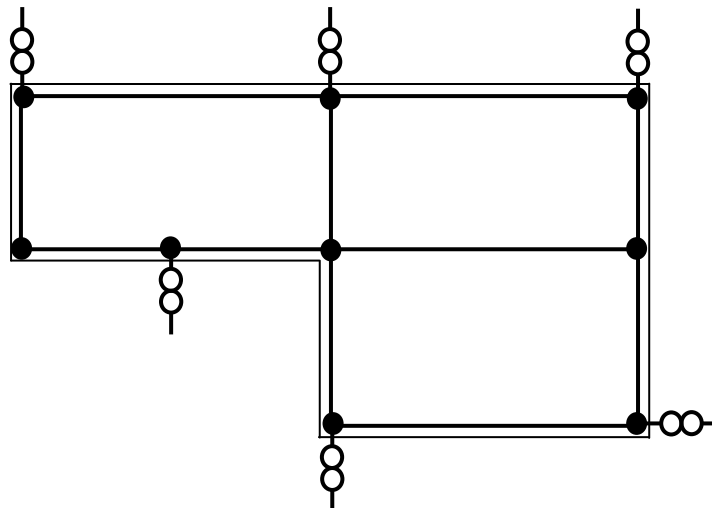


Figure E. 37e

IEC 2719/10

**Key**

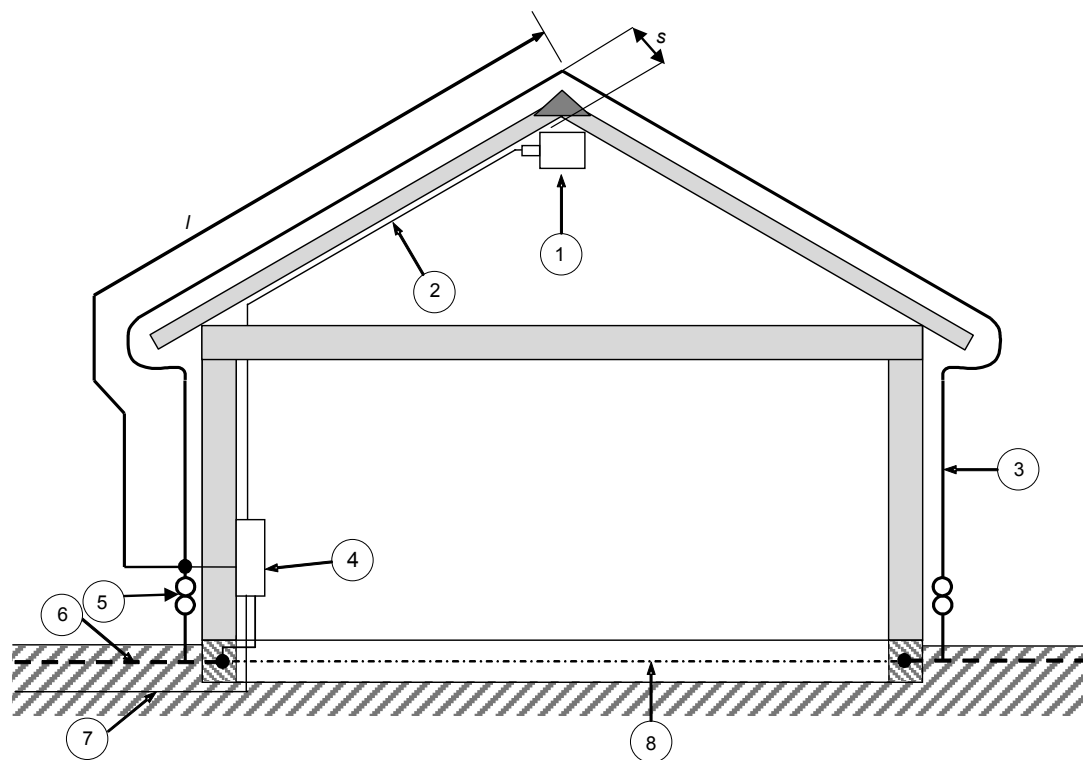
- 1 natural components of the LPS, e.g. gutters
- 2 LPS conductors
- 3 test joint
- 4 joint

NOTE The distance between the down-conductors and the mesh size should comply with the selected lightning protection level according to Tables 2 and 4.

**Figure E.37 – Five examples of geometry of LPS conductors**

When the number of down-conductors is increased, the separation distance can be reduced according to the coefficient  $k_c$  (see 6.3).

According to 5.3.3, at least two down-conductors should be used on a structure.



IEC 2720/10

**Key**

- 1 electric equipment
- 2 electric conductors
- 3 LPS conductors
- 4 main electric power distribution box with SPD
- 5 test joint
- 6 earth-termination system
- 7 electric power cable
- 8 foundation earth electrode
- s separation distance according to 6.3
- l length for the evaluation of the separation distance s

NOTE The example illustrates the problems introduced by electric power or other conductive installations in the roof space of a building.

**Figure E.38 – Construction of an LPS using only two down-conductors and foundation earth electrodes**

For large structures, such as high-rise apartment buildings and, in particular, industrial and administrative structures, which are often designed as steel skeletons or steel and concrete skeleton structures, or which use steel-reinforced concrete, the conductive structure components may be used as natural down-conductors.

The total impedance of the LPS for such structures is fairly low and they afford a very efficient lightning protection for inner installations. It is particularly advantageous to use conductive wall surfaces as down-conductors. Such conductive wall surfaces might be: reinforced

concrete walls, metallic sheet facade surfaces and facades of prefabricated concrete elements, provided they are connected and interlinked according to 5.3.5.

Figure E.4 provides a detailed description of the proper construction of an LPS using natural LPS components such as interconnected steel.

Use of natural components containing structural steel reduces the voltage drop between the air-termination system and the earth-termination system and the electromagnetic interference caused by lightning current within the structure.

If the air-termination system is connected to the conductive parts of the columns within the structure complex and to the equipotential bonding at ground level, a portion of the lightning current flows through these internal down-conductors. The magnetic field of this partial lightning current influences neighbouring equipment and has to be considered in the design of the internal LPS and electrical and electronic installations. The magnitude of these partial currents depends on the dimensions of the structure and on the number of columns, assuming the current waveform follows the waveform of the lightning current.

If the air-termination system is isolated from the internal columns no current flows through the columns within the structure complex, provided the isolation does not break down. If the isolation breaks down at an unpredicted point, a larger partial current may flow through a particular column or group of columns. The current steepness may increase due to the reduced virtual duration of the wave front caused by the breakdown and the neighbouring equipment is affected to a greater extent than it would be in the case of controlled bonding of columns to the LPS of the structure.

Figure E.10 is an example of the construction of internal down-conductors in a large steel-reinforced concrete structure used for industrial purposes. The electromagnetic environment near to the inner columns shall be considered when planning the internal LPS.

#### **E.5.3.4.2 Non-isolated down-conductors**

In structures with extensive conductive parts in the outer walls, the air-termination conductors and the earth-termination system should be connected to the conductive parts of the structure at a number of points. This will reduce the separation distance according to 6.3.

As a result of these connections the conductive parts of a structure are used as down-conductors and also as equipotential bonding bars.

In large, flat structures (typically industrial structures, exhibition halls, etc.) with dimensions over four times the spacing of the down-conductors, extra internal down-conductors should be provided, wherever possible, approximately every 40 m to minimize the separation distance when the lightning current is flowing long distances over a flat roof.

All internal columns and all internal partition walls with conductive parts should be connected with the air-termination system and with the earth-termination system at suitable points.

Figure E.10 shows the LPS of a large structure with internal columns made of steel-reinforced concrete. To avoid dangerous sparking between different conductive parts of the structure, the reinforcement of the columns is connected to the air-termination system and to the earth-termination system. As a result, a portion of the lightning current will flow through these internal down-conductors. However, the current is divided among numerous down-conductors and has approximately the same waveform as the current in the lightning stroke. The steepness of the wavefront, however, is reduced. If these connections are not made and a flashover occurs, only one or a few of these internal down-conductors may carry the current.

The waveform of the flashover current will be considerably steeper than the lightning current, so the voltage induced in neighbouring circuit loops will be considerably increased.

For such structures, it is particularly important that before commencing the design of the structure, the structure's design as well as the design of the LPS should be harmonized so that conductive parts of the structure can be utilized for lightning protection. By means of well-coordinated design, a highly effective LPS is achieved at minimum cost.

Lightning protection of space and persons below an overhanging upper storey, such as a cantilevered upper floor, should be designed according to 4.2.4.2 and Figure E.3.

Direct installation of down-conductors within the external plaster is not recommended since the plaster may be damaged as a result of thermal expansion. Moreover, the plaster may be discoloured as a result of chemical reaction. Damage to the plaster is particularly likely as a result of temperature rise and mechanical forces exerted by lightning current; PVC-covered conductors prevent staining.

#### **E.5.3.5 Natural components**

The use of natural down-conductors to maximize the total number of parallel current conductors is recommended as this minimizes the voltage drop in down-conductor systems and reduces the electromagnetic interference within the structure. However, it should be ensured that such down-conductors are electrically continuous along the entire path between the air-termination system and the earth-termination system.

The steel reinforcement in concrete walls should be used as a natural component of the LPS as illustrated in Figure E.27.

Steel reinforcement of newly erected structures should be specified in accordance with E.4.3. If electrical continuity of the natural down-conductors cannot be guaranteed, conventional down-conductors should be installed.

A metallic rain-pipe which satisfies the conditions for natural down-conductors according to 5.3.5 may be used as a down-conductor.

Figures E.22a, E.22b and E.22c show examples of fixing the conductors on the roof and the down-conductors including appropriate geometrical dimensions, while Figures E.22c and E.22d show the connections of the down-conductor to the metallic rain-pipe, the conductive gutters and the earth-termination conductor.

The reinforcing rods of walls or concrete columns and steel structural frames may be used as natural down-conductors.

A metal facade or a facade covering on a structure may be used as a natural down-conductor conforming to 5.3.5.

Figure E.8 shows construction of a natural down-conductor system using metal facade elements and steel reinforcing in the concrete walls as the equipotentialization reference plane to which the equipotentialization bars of the internal LPS are connected.

Connections should be provided at the top of the wall covering, to the air-termination system and at the bottom of the earth-termination system and to the reinforcing rods of the concrete walls, if applicable.

The distribution of current in such metal facades is more consistent than in reinforced concrete walls. Sheet metal facades comprise individual panels generally of trapezoidal cross-section with a width between 0,6 m and 1,0 m and a length corresponding to the height of the structure. In the case of high-rise structures, the panel length does not correspond to the structure height due to transport problems. The whole facade then comprises a number of sections mounted one above the other.

For a metal facade, the maximum thermal expansion should be calculated as the difference in length produced by a maximum temperature of the metal facade in sunlight of approximately +80 °C and a minimum temperature of –20 °C.

The temperature difference of 100 °C corresponds to a thermal expansion of 0,24 % for aluminium and 0,11 % for steel.

Thermal expansion of the panels results in movement of the panels with respect to the next section or to the fixtures.

Metal connections, such as those depicted in Figure E.35, encourage uniform current distribution in metal facades and thus reduce the influence of the electromagnetic field inside the structure.

A metal facade produces maximum electromagnetic shielding when it is electrically interconnected over its whole area.

High electromagnetic shielding efficiency of a structure is obtained when permanent bonding of adjacent metal facades is carried out at sufficiently small intervals.

Symmetry of current distribution relates directly to the number of connections.

If stringent requirements with respect to shield attenuation exist and continuous strip windows are incorporated in such a facade, the continuous strip windows should be bridged by means of conductors at small intervals. This may be done by means of metal window frames. The metal facade should be connected to the window frame at short intervals. Generally, each ridge is connected to the horizontal tie-beam of the window frame at intervals not exceeding the spacing of the vertical members of the window construction. Bends and detours should always be avoided (see Figure E.9).

Metal facades comprised of relatively small elements which are not interconnected cannot be used as a natural down-conductor system or for electromagnetic shielding.

More information on the protection of electrical installations and electronics in structures is available in IEC 62305-4.

#### **E.5.3.6 Test joint**

Test joints facilitate measurements of the earth resistance of earth-termination system.

Test joints conforming to 5.3.6, should be installed in the connection of the down-conductors to the earth-termination system. These joints facilitate the determination by measurement that an adequate number of connections to the earth-termination system still exist. It is thus possible to validate the existence of continuous connections between the test joint and the air-termination system or the next bonding bar. On tall structures, ring-conductors are connected to the down-conductors, which may be installed in the wall and invisible to the eye; their existence may only be confirmed by electric measurement.

Figure E.39a through Figure E.39d show examples of test joint designs which may be installed on the inner or outer wall of a structure, or in a test box in the earth outside the structure (see Figure E.39b). To make the continuity measurements possible, some conductors may have to have isolating sheaths on critical sections.

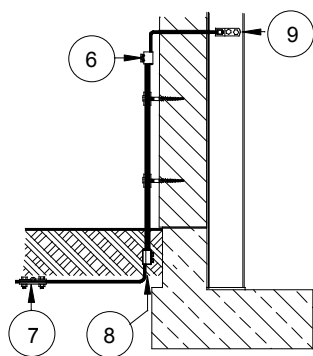


Figure E.39a

IEC 2721/10

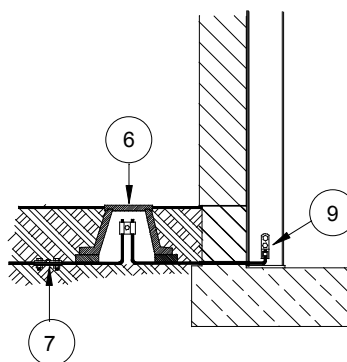


Figure E.39b

IEC 2722/10

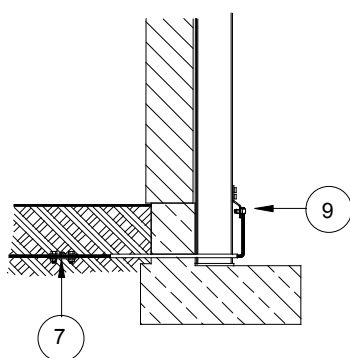


Figure E.39c

IEC 2723/10

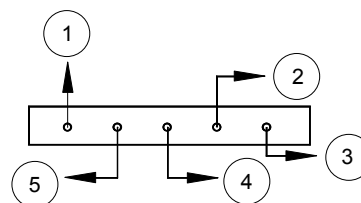


Figure E.39d

IEC 2724/10

**Alternative 1 – Test joint on wall**

- 1 down-conductor
- 2 type B earth electrode, if applicable
- 3 type A earth electrode, if applicable
- 4 foundation earth electrode
- 5 bonding to the internal LPS
- 6 test joint on the wall
- 7 corrosion-resistant T-joint in soil
- 8 corrosion-resistant joint in soil
- 9 joint between lightning conductor and a steel girder

**Alternative 2 – Test joint in the floor**

- 1 down-conductor
- 2 type A earth electrode, if applicable
- 3 bonding bar of the internal LPS
- 4 type B – ring earth electrode
- 5 type B – ring earth electrode
- 6 test joint in the floor
- 7 corrosion-resistant, T-joint in soil
- 8 corrosion-resistant joint in soil
- 9 joint between lightning conductor and a steel girder

NOTE 1 The test joint detailed in Figure E.39d should be installed on the inner or outer wall of a structure or in a test box in the earth outside the structure.

NOTE 2 To make the loop resistance measurements possible, some of the connecting conductors should have isolating sheaths along critical sections.

**Figure E.39 – Four examples of connection of earth-termination to the LPS of structures using natural down-conductors (girders) and detail of a test joint**

If it makes sense (e.g. in the case of earthing connections to steel columns via connecting conductors), connections from natural down-conductors to earth-termination electrodes may be provided with isolated conductor segments and testing joints. Special reference earth electrodes should be installed to facilitate monitoring of the earth-termination system of an LPS.



## **E.5.4 Earth-termination system**

### **E.5.4.1 General**

The LPS designer and the LPS installer should select suitable types of earth electrodes and should locate them at safe distances from entrances and exits of a structure and from the external conductive parts in the soil, such as cables, metal ducts, etc. Hence the LPS designer and the LPS installer should make special provisions for protection against dangerous step voltages in the vicinity of the earth-termination networks if they are installed in areas accessible to the public (see Clause 8).

The recommended value of the overall earth resistance of  $10 \Omega$  is fairly conservative in the case of structures in which direct equipotential bonding is applied. The resistance value should be as low as possible in every case but especially in the case of structures endangered by explosive material. Still the most important measure is equipotential bonding.

The embedded depth and the type of earth electrodes should be such as to minimize the effects of corrosion, soil drying and freezing and thereby stabilize the equivalent earth resistance.

It is recommended that the first half metre of a vertical earth electrode should not be regarded as being effective under frost conditions.

Deep-driven earth electrodes can be effective in special cases where soil resistivity decreases with depth and where substrata of low resistivity occur at depths greater than those to which rod electrodes are normally driven.

When the metallic reinforcement of concrete is used as an earth electrode, special care should be exercised at the interconnections to prevent mechanical splitting of the concrete.

If the metal reinforcement is also used for the protective earth, the most severe measure in respect of thickness of the rods and the connection should be chosen. In this case, larger sizes of reinforcement bars could be considered. The need for short and straight connections for the lightning protection earthing should be recognized at all times.

**NOTE** In the case of pre-stressed concrete, consideration should be given to the consequences of the passage of lightning discharge currents, which may produce unacceptable mechanical stresses.

### **E.5.4.2 Types of earth electrode arrangements**

#### **E.5.4.2.1 Type A arrangement**

The type A earth-termination system is suitable for low structures (for example family houses), existing structures or an LPS with rods or stretched wires or for an isolated LPS.

This type of arrangement comprises horizontal or vertical earth electrodes connected to each down-conductor.

Where there is a ring conductor, which interconnects the down-conductors, in contact with the soil, the earth electrode arrangement is still classified as type A if the ring conductor is in contact with the soil for less than 80 % of its length.

In a type A arrangement the minimum number of earth electrodes should be one for each down-conductor and at least two for the whole LPS.

#### **E.5.4.2.2 Type B arrangement**

The type B earth-termination system is preferred for meshed air-termination systems and for LPS with several down-conductors.

This type of arrangement comprises either a ring earth electrode external to the structure, in contact with the soil for at least 80 % of its total length, or a foundation earth electrode.

For bare solid rock, only the type B earthing arrangement is recommended.

### **E.5.4.3 Construction**

#### **E.5.4.3.1 General**

Earth-termination systems should perform the following tasks:

- conduction of the lightning current into the earth;
- equipotential bonding between the down-conductors;
- potential control in the vicinity of conductive building walls.

The foundation earth electrodes and the type B ring-type earth electrodes meet all these requirements. Type A radial earth electrodes or deep-driven vertical earth electrodes do not meet these requirements with respect to equipotential bonding and potential control.

The structure foundations of interconnected steel-reinforced concrete should be used as foundation earth electrodes. They exhibit very low earthing resistance and perform an excellent equipotentialization reference. When this is not possible, an earth-termination system, preferably a type B ring earth electrode, should be installed around the structure.

#### **E.5.4.3.2 Foundation earth electrodes**

A foundation earth electrode, which conforms to 5.4.4, comprises conductors, which are installed in the foundation of the structure below ground. The length of additional earth electrodes should be determined using the diagram in Figure 3.

Foundation earth electrodes are installed in concrete. They have the advantage that, if the concrete is of adequate construction and covers the foundation earth electrode by at least 50 mm, they are reasonably protected against corrosion. It should also be remembered that reinforcing steel rods in concrete generate the same magnitude of galvanic potential as copper conductors in soil. This offers a good engineering solution to the design of earth-termination systems for reinforced concrete structures (see E.4.3).

Metals used for earth electrodes should conform to the materials listed in Table 7, and the behaviour of the metal with respect to corrosion in the soil should always be taken into account. Some guidance is given in 5.6. When guidance for particular soils is not available, the experience with earth-termination systems in neighbouring plants, with soil exhibiting similar chemical properties and consistency, should be ascertained. When the trenches for earth electrodes are refilled, care should be taken that no fly ash, lumps of coal or building rubble is in direct contact with the earth electrode.

A further problem arises from electrochemical corrosion due to galvanic currents. Steel in concrete has approximately the same galvanic potential in the electrochemical series as copper in soil. Therefore, when steel in concrete is connected to steel in soil, a driving galvanic voltage of approximately 1 V causes a corrosion current to flow through the soil and the wet concrete and dissolve steel in soil.

Earth electrodes in soil should use copper, copper coated steel or stainless steel conductors where these are connected to steel in concrete.

At the perimeter of a structure, a metal conductor, in accordance with Table 7, or a galvanized steel strip, should be installed in the strip foundation and be taken upwards with connection leads to the designated terminal points of the lightning down-conductor test joints.

Upward routing of the conductors connected to the down-conductors can be performed on the brickwork, within the plaster or within the wall. The steel connection leads installed within the wall may penetrate the asphalt-saturated paper normally used between the foundation and the brick wall. Piercing of the humidity barrier at this point generally presents no problem.

The water-insulating layer often inserted below the structure foundation to reduce the humidity in basement floors provides consistent electrical isolation. The earth electrode should be installed under the foundation in the sub-concrete. An agreement should be obtained with the builder for the design of the earth-termination system.

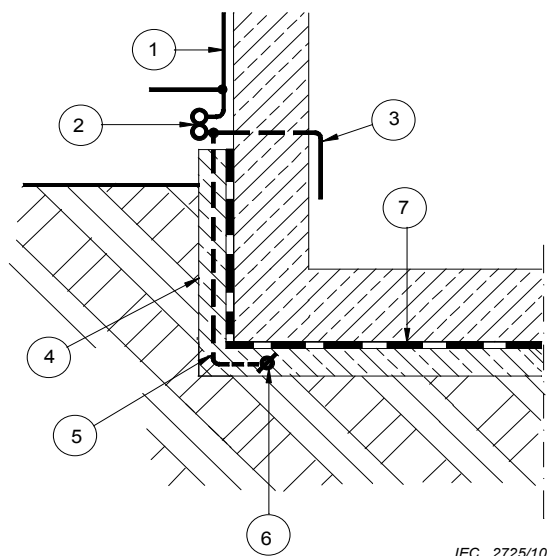
Where the groundwater level is high, the foundation of the structure should be isolated from subsoil water. A sealing waterproof layer should be applied to the outer surface of the foundation, which also provides electrical isolation. The usual practice in establishing such a waterproof foundation is to pour a clean layer of concrete approximately 10 cm to 15 cm in depth on the bottom of the foundation pit, onto which the isolation, and later the concrete foundation, is laid.

A foundation earth electrode consisting of a network of mesh size not exceeding 10 m shall be installed in the clean concrete layer at the bottom of the foundation pit.

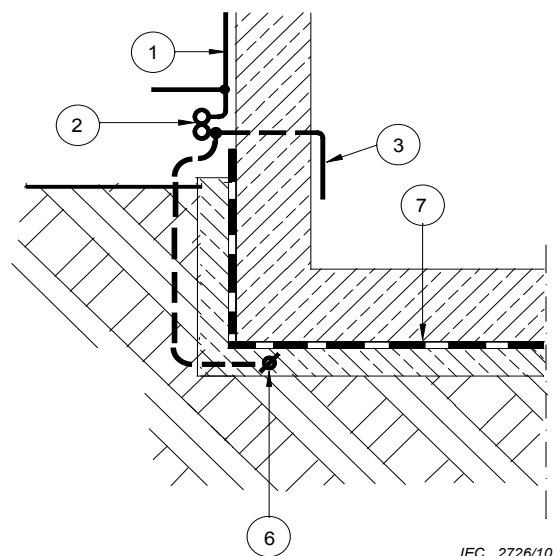
A conductor in accordance with Table 7 shall connect the meshed earth-termination with the reinforcement in the foundation, the ring earth electrodes, and the down-conductors external to the damp-proof membrane. Where permitted, pressure-waterproof bushings may be used to penetrate the insulation.

When penetration of the conductor through the isolation layer is not permitted by the building contractor, connections should be made to the earth-termination outside the structure.

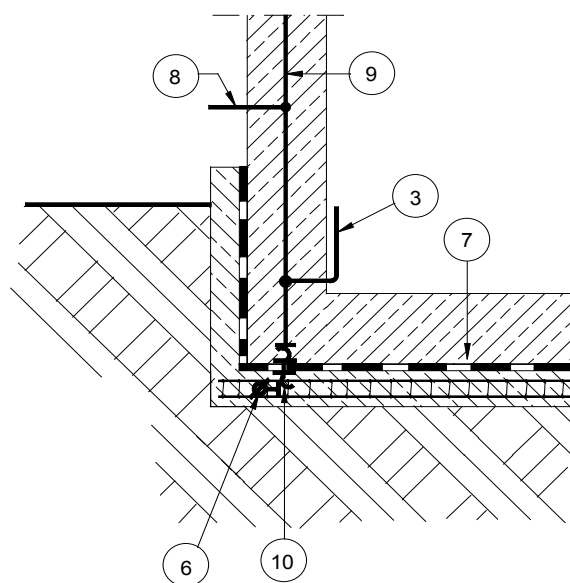
Figure E.40 shows three different examples of how to install foundation earth electrodes on a structure with waterproofed foundations.



**Figure E.40a – Isolated foundation with foundation earth electrode in the non-reinforced concrete layer below the bitumen insulation**



**Figure E.40b – Isolated foundation with earth-termination conductor partly passing through the soil**



IEC 2727/10

**Figure E.40c – Connection from the foundation earth electrode to the steel reinforcement passing through the damp proof membrane**

**Key**

- 1 down-conductor
- 2 test joint
- 3 bonding conductor to the internal LPS
- 4 non-reinforced layer of concrete
- 5 connecting conductor of the LPS
- 6 foundation earth electrode
- 7 damp proof membrane, watertight insulating layer
- 8 connecting conductor between steel reinforcement and the test joint
- 9 steel reinforcement in concrete
- 10 watertight bushing through the damp proof membrane

NOTE Permission from the structure constructor is necessary.

**Figure E.40 – Construction of foundation earth ring for structures of different foundation design**

Several solutions of an adequate connection of the earth-termination on structures with isolated foundation are also illustrated.

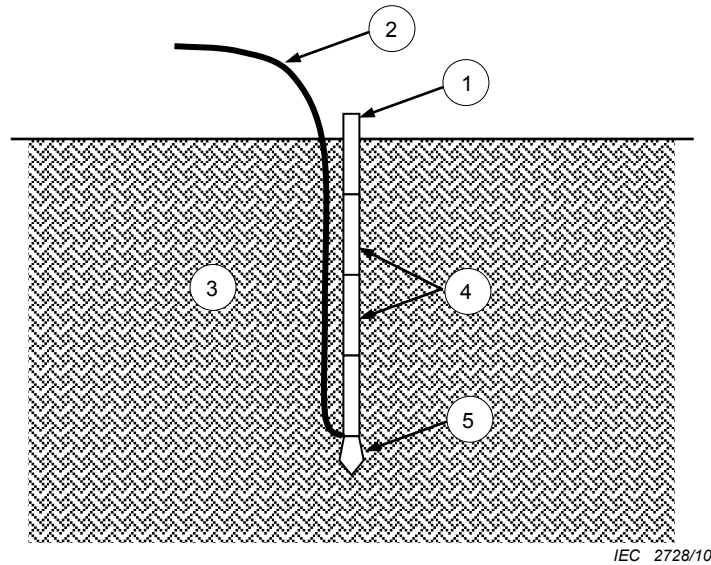
Figures E.40a and E.40b show connections external to the insulation, so that the insulation is not damaged; Figure E.40c shows a watertight bushing through the insulation to avoid compromising the integrity of the damp-proof membrane.

**E.5.4.3.3 Type A – Radial and vertical earth electrodes**

Radial earth electrodes should be connected to the lower ends of the down-conductors by using test joints. Radial earth electrodes may be terminated by vertical earth electrodes if appropriate.

Each down-conductor should be provided with an earth electrode.

Figure E.41 shows examples of type A earth electrodes where Figure E.41a shows how a lightning conductor in accordance with Table 7 is pushed into the soil using special driving rods. This earthing technique has several practical advantages and avoids the use of clamps and joints in the soil. Sloped or vertical earth electrodes are generally hammered in.

**Key**

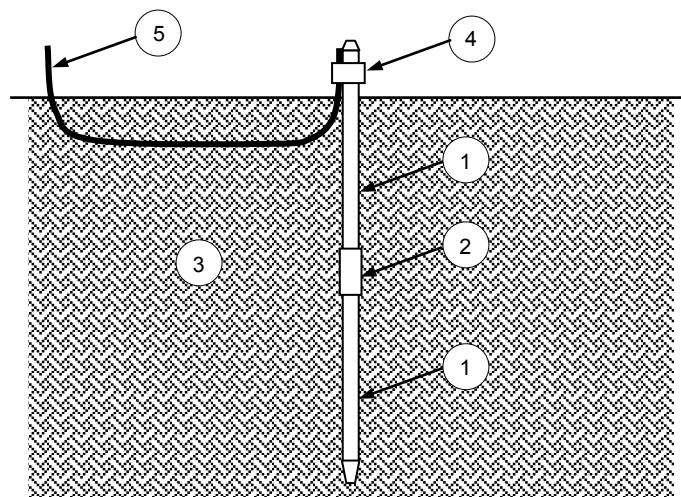
- 1 short upper-most driving rod
- 2 earthing conductor
- 3 soil
- 4 short driving rods
- 5 driving steel dart

NOTE 1 A continuous wire conductor is driven into the soil by means of short driving rods. The electrical continuity of the earth electrode conductor is of great advantage; using this technique, no joints are introduced into the earth electrode conductor. Short driving rod segments are also easy to handle.

NOTE 2 The short upper-most driving rod may be removed.

NOTE 3 The uppermost part of the earthing conductor may have an insulating jacket.

**Figure E.41a – Example of a type A earthing arrangement with a vertical conductor type electrode**

**Key**

- 1 extensible earth rod
- 2 rod coupling
- 3 soil
- 4 conductor to rod clamp
- 5 earthing conductor

**Figure E.41b – Example of a type A earthing arrangement with a vertical rod type electrode**

**Figure E.41 – Two examples of vertical electrodes in type A earthing arrangement**

There are also other types of vertical electrodes. It is essential to ensure a permanent conducting connection along the whole length of the electrode during the service life of the LPS.

During installation it is advantageous to measure the earthing resistance regularly. The driving may be interrupted as soon as the earthing resistance stops decreasing. Additional electrodes can then be installed in more suitable locations.

The earth electrode should have sufficient separation from existing cables and metal pipes in the earth, and due allowance should be made for the earth electrode departing from its intended position during driving. The separation distance depends on the electrical impulse strength and resistivity of the soil and the current in the electrode.

In the type A arrangement, vertical earth electrodes are more cost-effective and give more stable earthing resistances in most soils than horizontal electrodes.

In some cases it may be necessary to install the earth electrodes inside the structure, for example in a basement or cellar.

NOTE Special care should be taken to control step voltages by taking equipotentialization measures according to Clause 8.

If there is a danger of an increase in resistance near to the surface (e.g. through drying out), it is often necessary to employ deep-driven earth electrodes of greater length.

Radial earth electrodes should be installed at a depth of 0,5 m or deeper. A deeper electrode ensures that in countries in which low temperatures occur during the winter, the earth electrode is not situated in frozen soil (which exhibits extremely low conductivity). An additional benefit is that deeper earth electrodes give a reduction of the potential differences at the earth surface and thus lower step voltages reducing the danger to living creatures on the earth surface. Vertical electrodes are preferred to achieve a seasonally-stable earthing resistance.

When the type A earthing arrangement is provided, the necessary potential equalization for all electrodes is achieved by means of equipotential bonding conductors and bonding bars .

#### **E.5.4.3.4 Type B – Ring earth electrodes**

For structures using isolating material such as brickwork or wood with no steel-reinforced foundation, a type B earth-termination should be installed conforming to 5.4.2.2. Alternatively a type A arrangement incorporating equipotential bonding conductors may be used. In order to reduce the equivalent earth resistance, the type B earthing arrangement may be improved, if necessary, by adding vertical earth electrodes, or radial earth electrodes conforming to 5.4.2.2. Figure 3 gives the requirements regarding the minimum length of earth electrodes.

The clearance and depth for a type B earth electrode, as mentioned in 5.4.3, are optimal in normal soil conditions for the protection of persons in the vicinity of the structure. In countries with low winter temperatures, the appropriate depth of earth electrodes should be considered.

Type B earth electrodes also perform the function of potential equalization between the down-conductors at ground level, since the various down-conductors give different potentials due to the unequal distribution of lightning currents due to variations in the earth resistance and different lengths in the above ground conductor current paths. The different potentials result in a flow of equalizing currents through the ring earth electrode, so that the maximum rise in potential is reduced and the equipotential bonding systems connected to it within the structure are brought to approximately the same potential.

Where structures belonging to different owners are built closely to each other, it is often not possible to install a ring earth electrode that will fully surround the structure. In this case the

-----

efficiency of the earth-termination system is somewhat reduced, since the conductor ring acts partly as a type B electrode, partly as a foundation earth and partly as an equipotential bonding conductor.

Where large numbers of people frequently assemble in an area adjacent to the structure to be protected, further potential control for such areas should be provided. More ring earth electrodes should be installed at distances of approximately 3 m from the first and subsequent ring conductors. Ring electrodes further from the structure should be installed more deeply below the surface i.e. those at 4 m from the structure at a depth of 1 m, those at 7 m from the structure at a depth of 1,5 m and those at 10 m from the structure at a depth of 2 m. These ring earth electrodes should be connected to the first ring conductor by means of radial conductors.

When the area adjacent to the structure is covered with a 50 mm thick slab of asphalt of low conductivity, sufficient protection is provided for people making use of the area.

#### **E.5.4.3.5 Earth electrodes in rocky soil**

During construction, a foundation earth electrode should be built into the concrete foundation. Even where a foundation earth electrode has a reduced earthing effect in rocky soil, it still acts as an equipotential bonding conductor.

At the test joints, additional earth electrodes should be connected to the down-conductors and foundation earth electrodes.

Where a foundation earth electrode is not provided, a type B arrangement (a ring earth electrode) should be used instead. If the earth electrode cannot be installed in the soil and has to be mounted on the surface, it should be protected against mechanical damage.

Radial earth electrodes lying on or near the earth surface should be covered by stones or embedded in concrete for mechanical protection.

When the structure is situated close to a road, if possible, a ring earth electrode should be laid beneath the road. However, where this is not possible over the whole length of the exposed road segment, such equipotential control (typically a type A arrangement) should be provided at least in the vicinity of the down-conductors.

For potential control in certain special cases, a decision should be made as to whether to install a further partial ring in the vicinity of the structure entrance, or to artificially increase the resistivity of the surface layer of the soil.

#### **E.5.4.3.6 Earth-termination systems in large areas**

An industrial plant typically comprises a number of associated structures, between which a large number of power and signal cables are installed.

The earth-termination systems of such structures are very important for the protection of the electrical system. A low impedance earth system reduces the potential difference between the structures and so reduces the interference injected into the electrical links.

A low earth impedance can be achieved by providing the structure with foundation earth electrodes and additional type B and type A earth arrangements conforming to 5.4.

Interconnections between the earth electrodes, the foundation earth electrodes and the down-conductors should be installed at the test joints. Some of the test joints should also be connected to the equipotential bars of the internal LPS.

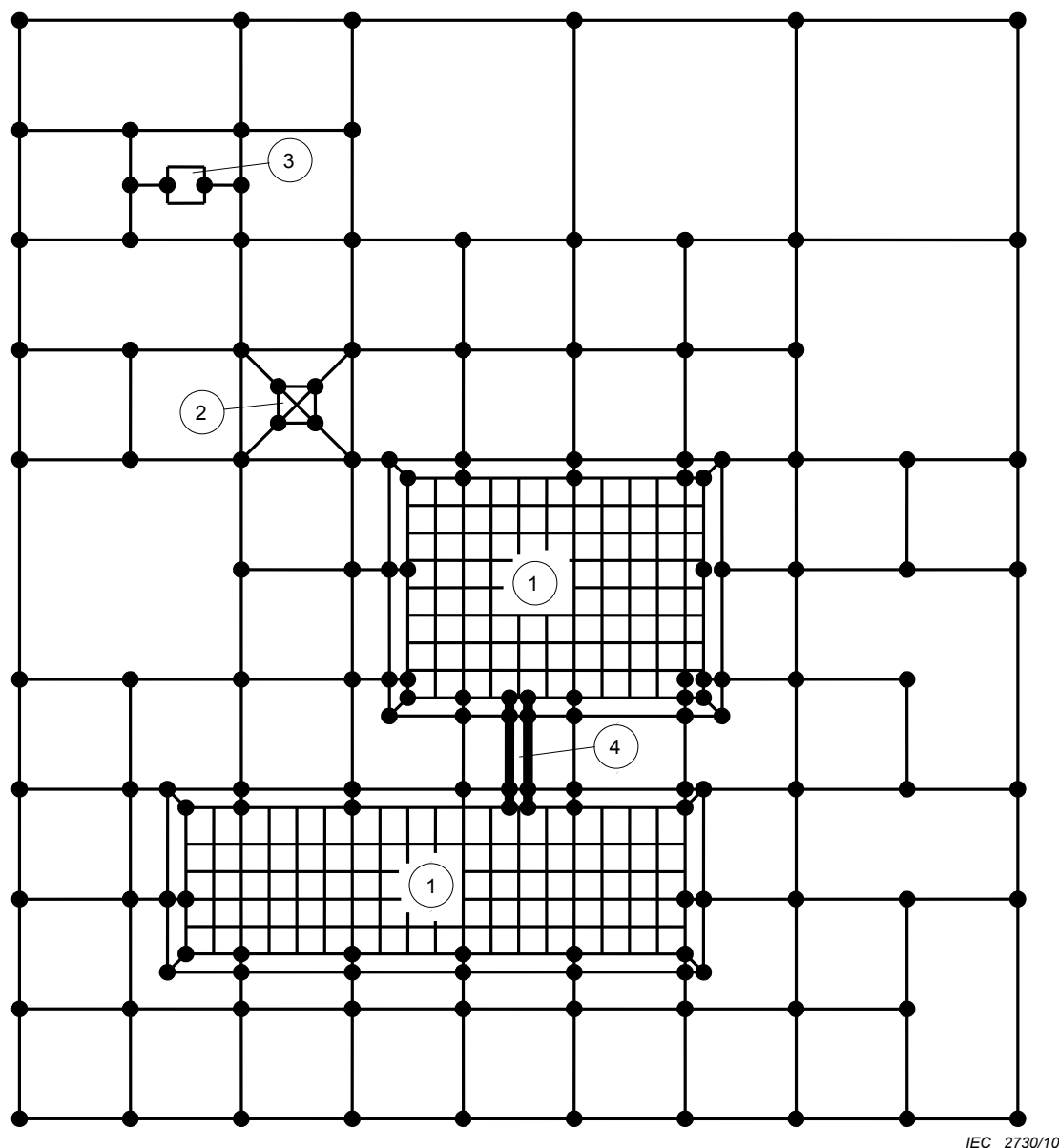
Internal down-conductors, or internal structural parts used as down-conductors, should be connected to an earth electrode and the reinforcement steel of the floor to avoid step and touch voltages. If internal down-conductors are near expansion joints in the concrete, these joints should be bridged as near to the internal down-conductor as possible.

The lower part of an exposed down-conductor should be insulated by PVC tubing with a thickness of at least 3 mm or with equivalent insulation.

In order to reduce the probability of direct lightning flashes to cable routes in the ground, an earthing conductor and, in the case of wider cable routes, a number of earthing conductors should be installed above the cable routes.

By interconnecting the earths of a number of structures, a meshed earthing system is obtained as shown in Figure E.42.





IEC 2730/10

**Key**

- 1 building with meshed network of the reinforcement
- 2 tower inside the plant
- 3 stand-alone equipment
- 4 cable trenches

NOTE This system gives a low impedance between buildings and has significant EMC advantages. The size of the meshes next to buildings and other objects may be in the order of 20 m × 20 m. Beyond a 30 m distance they may be enlarged to the order of 40 m × 40 m.

**Figure E.42 – Meshed earth-termination system of a plant**

Figure E.42 shows the design of a meshed earth electrode network, including cable trenches, between associated structures of lightning-protected buildings. This will give a low impedance between buildings and has significant LEMP protection advantages.

### E.5.5 Components

No additional information.

NOTE Distances between fixings are given in Table E.1.

## **E.5.6 Materials and dimensions**

### **E.5.6.1 Mechanical design**

The lightning protection designer shall consult with the persons responsible for the structure, on mechanical design matters following the completion of the electrical design.

Aesthetic considerations are particularly important as well as the correct selection of materials to limit the risk of corrosion.

The minimum size of lightning protection components for the various parts of the LPS are listed in Tables 3, 6, 7, 8 and 9.

The materials used for the LPS components are listed in Table 5.

NOTE Components such as clamps and rods selected in accordance with the future IEC 62561 series are adequate.

The LPS designer and the LPS installer should verify the fitness of purpose of the materials used. This can be achieved, for example, by requiring test certificates and reports from the manufacturer, demonstrating that materials have successfully passed quality tests.

The LPS designer and the LPS installer should specify conductor fasteners and fixtures which will withstand the electrodynamic forces of lightning current in the conductors and also allow for the expansion and contraction of conductors due to the relevant temperature rise.

Connections between sheet metal panels should be compatible with the panel material, represent a minimum contact surface area of 50 mm<sup>2</sup> and be capable of withstanding the electrodynamic forces of a lightning current and the corrosion threats of the environment.

When excessive temperature rise is a concern for the surface to which the components are to be attached because it is flammable or has a low melting point, either larger conductor cross-sections should be specified, or other safety precautions should be considered, such as the use of stand-off fittings and the insertion of fire-resistant layers.

The LPS designer should identify all corrosion problem areas and specify appropriate measures to be taken.

The corrosion effects on the LPS may be reduced either by increases in material size, using corrosion-resistant components or by taking other corrosion protection measures.

### **E.5.6.2 Selection of materials**

#### **E.5.6.2.1 Materials**

LPS materials and conditions of use are listed in Table 5.

Dimensions of LPS conductors, including air-termination conductors, down-conductors and earth-termination conductors, for different materials such as copper, aluminium and steel are given in Tables 6 and 7. The recommended values for copper and aluminium of 50 mm<sup>2</sup> round are based on the mechanical requirements (e.g. keep the wires straight between supports, so they don't sag to the roof). If mechanical constraints are of no concern the values from footnote b) of Table 6 (copper 28 mm<sup>2</sup>) may be used as minimum values.

Minimum thickness of metal sheets, metal pipes and containers used as natural air-termination components are listed in Table 3, and minimum dimensions for bonding conductors are given in Tables 8 and 9.

### **E.5.6.2.2 Protection against corrosion**

The LPS should be constructed of corrosion-resistant materials such as copper, aluminium, stainless steel and galvanized steel. The material of the air-termination rods and air-termination wires should be electrochemically compatible with the material of the connection elements and the mounting elements, and it should have a good corrosion resistance to a corrosive atmosphere or moisture.

Connections between different materials should be avoided; otherwise they are to be protected.

Copper parts should never be installed above galvanized or aluminium parts unless those parts are provided with protection against corrosion.

Extremely fine particles are shed by copper parts which result in severe corrosive damage to galvanized parts even where the copper and galvanized parts are not in direct contact.

Aluminium conductors should not be directly attached to calcareous building surfaces such as concrete limestone and plaster, and should never be used in soil.

#### **E.5.6.2.2.1 Metals in soil and air**

Corrosion of metal will occur at a rate depending on the type of metal and the nature of its environment. Environmental factors such as moisture, dissolved salts (thus forming an electrolyte), degree of aeration, temperature and extent of movement of electrolyte combine to make this condition a very complex one.

In addition, local conditions, with different natural or industrial contaminants, can cause significant variations to be observed in different parts of the world. To resolve particular corrosion problems, consultation with corrosion specialists is strongly recommended.

The effect of contact between dissimilar metals, in association with a surrounding, or partially surrounding, electrolyte, will lead to increased corrosion of the more anodic metal, and to decreased corrosion of the more cathodic metal.

The corrosion of the more cathodic metal will not necessarily be fully prevented. The electrolyte for this reaction may be groundwater, soil with some moisture content or even moisture condensate in above-ground structures where it is retained by crevices.

Extended earthing systems may suffer from different ground conditions in different parts. This can enhance the corrosion problems and requires special attention.

In order to minimize corrosion in an LPS:

- avoid the use of unsuitable metals in an aggressive environment;
- avoid contact of dissimilar metals, of substantially differing electrochemical or galvanic activity;
- use an adequate cross-section of conductors, bonding straps and conducting terminals and clamps to ensure sufficient corrosion life for the conditions of service;
- provide appropriate filling or isolating material in conductor joints which have not been welded conductor joints, so as to exclude moisture;
- provide a sleeve or a coat or isolate metals sensitive to corrosive fumes or fluids in the location of the installation;
- consider the galvanic effects of other metallic items to which the earth electrode is to be bonded;

- avoid designs where natural corrosion products from a cathodic metal (e.g. copper) could contact and erode the LPS, such as metallic copper on an anodic metal (e.g. steel or aluminium).

To conform to the foregoing, the following precautions are cited as specific examples:

- the minimum thickness or diameter of a strand should be 1,7 mm for steel, aluminium, copper, cuprous alloy or nickel/chrome/steel alloys;
- an isolating spacer is recommended where contact between closely spaced (or touching) dissimilar metals could cause corrosion, but such contact is not electrically necessary;
- steel conductors not otherwise protected should be hot-dipped galvanized in accordance with the requirements of Tables 6 and 7;
- aluminium conductors should not be buried directly in the ground nor set in or attached directly to concrete, unless they are completely sleeved with a durable, close-fitting isolating sleeve;
- copper/aluminium joints should be avoided wherever possible. In cases where they cannot be avoided, the connections should be welded or made employing an intermediate layer of copper/aluminium sheet;
- fasteners or sleeves for aluminium conductors should be of similar metal and of adequate cross-section to avoid failure by adverse weather conditions;
- copper is suitable for use in most earth electrode applications, except for acid, oxygenated ammoniac or sulphurous conditions. However, it should be remembered that it will cause galvanic damage to ferrous materials to which it is bonded. This may require specialist corrosion advice, particularly when a cathodic protection scheme is used;
- for roof conductors and down-conductors exposed to aggressive flue gases, particular attention should be paid to corrosion e.g. through the use of high-alloy steels (>16,5 % Cr, >2 % Mo, 0,2 % Ti, 0,12 % to 0,22 % N);
- stainless steel or other nickel alloys may be used for the same corrosion resistance requirements. However, in anaerobic conditions, such as clay, they will corrode almost as quickly as mild steel;
- joints between steel and copper or copper alloys in air, if not welded, should be either fully tin plated or fully coated with a durable moisture-resistant coating;
- copper and copper alloys are subject to stress corrosion cracking in ammoniac fumes and these materials should not be used for fastenings in these specific applications;
- in marine/coastal areas, all conductor joints should be welded or effectively fully sealed.

Stainless steel or copper earthing systems can be connected directly to the steel reinforcement in concrete.

Galvanized steel earth electrodes in soil should be connected to the steel reinforcement in concrete by isolating spark gaps capable of conducting a substantial part of the lightning current (see Tables 8 and 9 for the dimension of connecting conductors). A direct connection in the soil would significantly increase the risk of corrosion. Isolating spark gaps used should conform to 6.2.

NOTE Isolating spark gaps classified N according to IEC 62561-3 are usually suitable.

Galvanized steel should be used for earth electrodes in soil only when no steel parts incorporated in the concrete are directly connected to the earth electrode in soil.

If metal pipes are put in soil and are connected to the equipotential bonding system and to the earth-termination system, the material of the pipes, where these are not isolated, and the material of the conductors of the earth system should be identical. Pipes with a protective covering of paint or asphalt are treated as if they are not isolated. When use of the same material is not possible, the pipework system should be isolated from the plant sections connected to the equipotential bonding system by means of isolated sections. The isolated

sections should be bridged by means of spark gaps. Bridging by spark gaps should also be performed where isolated pieces are installed for cathodic protection of pipework.

Conductors with lead sheaths should not be directly installed in concrete. Conductors with lead sheaths should be protected against corrosion by provision of either anti-corrosion bindings or by means of shrunk-on sleeving. Conductors may be protected by a PVC or PE covering.

Steel earth-termination conductors coming from concrete or from soil at the entry point to the air should be protected against corrosion for a length of 0,3 m by means of anti-corrosion wrappings or shrunk-on sleeving. For copper or stainless steel conductors this is not necessary.

The materials used for the joints between conductors in the soil should have identical corrosion behaviour to that of the earth-termination conductors. Connection by clamping is not generally permissible except in cases where such connections are provided with effective corrosion protection after making the joint. Good experience has been gained with crimped joints.

Welded joints shall be protected against corrosion.

Practical experience shows that

- aluminium should never be used as an earth electrode,
- lead-sheathed steel conductors are not suitable for use as earth conductors,
- lead-sheathed copper conductors should not be used in concrete nor in soil with a high calcium content.

#### **E.5.6.2.2.2 Metals in concrete**

The embedding of steel or galvanized steel in concrete causes a stabilization of the natural potential of the metal, due to the uniformly alkaline environment. In addition, the concrete is of uniformly, relatively high resistivity – of the order of 200  $\Omega\text{m}$  or higher.

Consequently, the reinforcing bars in concrete are considerably more resistant to corrosion than when they are exposed, even if connected externally to more cathodic-electrode materials.

The use of reinforcing steel as down-conductors does not pose any significant corrosion problems provided the access points for air-terminations are well encapsulated, e.g. by epoxy resin putty of adequate thickness.

Galvanized steel strips as foundation earth electrodes may be installed in concrete and directly connected to the steel reinforcing rods. Copper and stainless steel in concrete are also accepted and may be connected to the reinforcement steel directly.

Due to the natural potential of steel in concrete, additional earth electrodes outside the concrete should be made of copper or stainless steel.

In steel fibre reinforced concrete, if it is not possible to ensure the circumfusion of concrete thickness at least 50 mm over casting earth electrodes, the use of steel earth electrodes is not permitted because during the building process the steel electrode can be pressed down, for instance by the machines used, and touch the soil. In such a case, the steel faces a serious corrosion risk. Copper and stainless steel are suitable materials for earth electrodes in steel fibre concrete.

## **E.6 Internal lightning protection system**

### **E.6.1 General**

The requirements for the design of the internal lightning protection system are given in Clause 6.

The external lightning protection system and its relationship to conductive parts and installations inside the structure will determine, to a large extent, the need for an internal lightning protection system.

Consultation with all authorities and parties concerned with equipotential bonding is essential.

The LPS designer and LPS installer should draw attention to the fact that the measures given in Clause E.6 are very important in order to achieve adequate lightning protection. The purchaser should be notified accordingly.

The internal lightning protection is the same for all protection levels except for the separation distances.

The measures necessary for internal lightning protection exceed the equipotentialization measures for AC power systems in many cases because of the high current rate and current rise time occurring in the case of a lightning strike.

NOTE If protection against LEMP is to be considered, IEC 62305-4 should be taken into account.

### **E.6.2 Lightning equipotential bonding (EB)**

#### **E.6.2.1 General**

In the case of an isolated external LPS, the equipotential bonding is established only at ground level.

In the case of industrial structures, electrically-continuous conductive parts of the structure and the roof may be generally used as natural LPS components and may be used in the performance of equipotential bonding.

It is not only the conductive parts of the structure, and the equipment installed therein, that should be connected to the equipotential bonding but also the conductors of the power supply system and the communication equipment. For earth electrodes inside the structure, special care should be taken to control step voltages. Adequate measures include connecting concrete reinforcement steel to the earth electrodes locally or providing an equipotentialization mesh in the cellar or basement.

For buildings higher than 30 m, it is recommended to repeat the equipotential bonding at a level of 20 m and every 20 m above that. The separation requirements will generally be fulfilled.

This means that, at the very least, on those levels the external down-conductors, the internal down-conductors and metal parts should be bonded. Live conductors should be bonded via SPDs.

#### **E.6.2.1.1 Bonding conductors**

Bonding conductors should be able to withstand the part of the lightning current flowing through them.

Conductors bonding metal installations internal to the structure normally do not carry a significant part of the lightning current. Their minimum dimensions are given in Table 9.

Conductors bonding external conductive parts to the LPS usually carry a substantial part of the lightning current. Their minimum dimensions are given in Table 8.

#### **E.6.2.1.2 Surge protective devices**

Surge protective devices (SPDs) should withstand the prospective part of the lightning current flowing through them without being damaged. An SPD should also have the ability to extinguish electrical power follow-on currents from the power supply if they are connected to the electrical power conductors.

The selection of an SPD shall be performed according to 6.2. Where protection of internal systems against LEMP is required, SPDs shall also conform to IEC 62305-4.

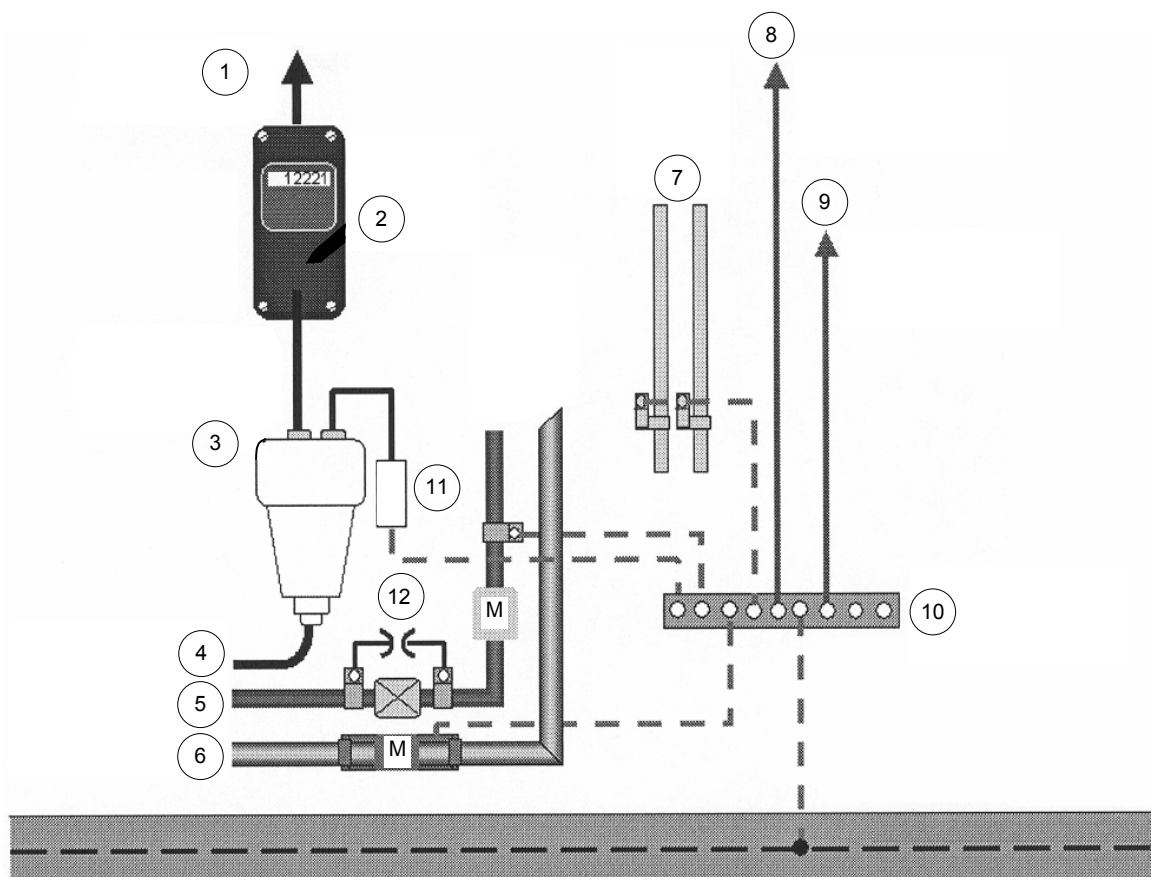
#### **E.6.2.2 Equipotential bonding of internal conductive parts**

Bonding should be provided and installed in such a way that the internal conductive parts, the external conductive parts and the electrical power and communication systems (for example computers and security systems) can be bonded by short bonding conductors. Internal and external conductive parts that have no electrical function should be bonded directly. All electrical connections (power and signal) should be bonded by means of SPDs.

Metal installations, i.e. water, gas, heating and air pipes, lift shafts, crane supports etc. shall be bonded together and to the LPS at ground level.

Sparking can occur in metal parts not belonging to the structure if those parts are close to the down-conductors of the LPS. Where this is considered dangerous, adequate bonding measures according to 6.2 should be used to prevent sparking.

A bonding bar arrangement is shown in Figure E.43.



IEC 2731/10

**Key**

- 1 power to user
- 2 power meter
- 3 house connection box
- 4 power from utility
- 5 gas
- 6 water
- 7 central heating system
- 8 electronic appliances
- 9 screen of antenna cable
- 10 equipotential bonding bar
- 11 SPD
- 12 ISG
- M meter

**Figure E.43 – Example of an equipotential bonding arrangement**

The bonding bars should be located so that they are connected to the earth-termination system or to the horizontal ring conductors with short conductors.

The bonding bar is preferably installed at the inner side of an outer wall near ground level, close to the main low-voltage power distribution box and closely connected to the earth-termination system comprising the ring earth electrode, the foundation earth electrode and the natural earth electrode such as the interconnected reinforcing steel, where applicable.

In extended buildings, several bonding bars may be used provided that they are interconnected. Very long connections can form big loops leading to large induced currents and voltages. To minimize these effects, a meshed interconnection of those connections, the structure and the earthing system according to IEC 62305-4 should be considered.

In reinforced concrete structures conforming to 4.3, the reinforcement may be used for equipotential bonding. In this case, an additional meshed network of welded or bolted terminal



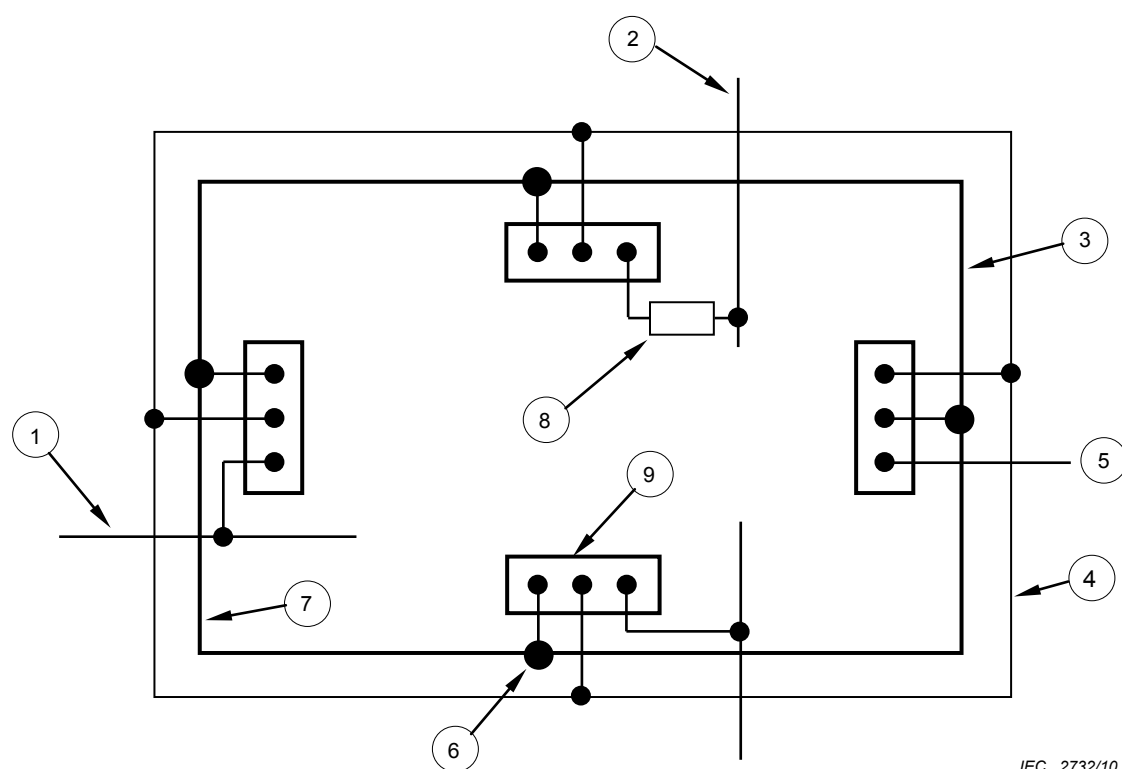
joints, described in E.4.3, should be installed in the walls, to which the bonding bars should be connected via welded conductors.

NOTE In this case, keeping a separation distance is not necessary.

The minimum cross-sections for a bonding conductor or a bonding connector are given in Tables 8 and 9. All internal conductive parts of significant size, such as elevator rails, cranes, metal floors, pipes and electrical services, should be bonded to the nearest bonding bar by a short bonding conductor at ground level and at other levels if the separation distance according to 6.3 cannot be maintained. Bonding bars and other bonding parts should withstand the prospective lightning currents.

In structures with reinforced walls only a minor fraction of the total lightning current is expected to flow through the bonding parts.

Figures E.44, E.45 and E.46 illustrate bonding arrangements in structures with multiple-point entries of external services.



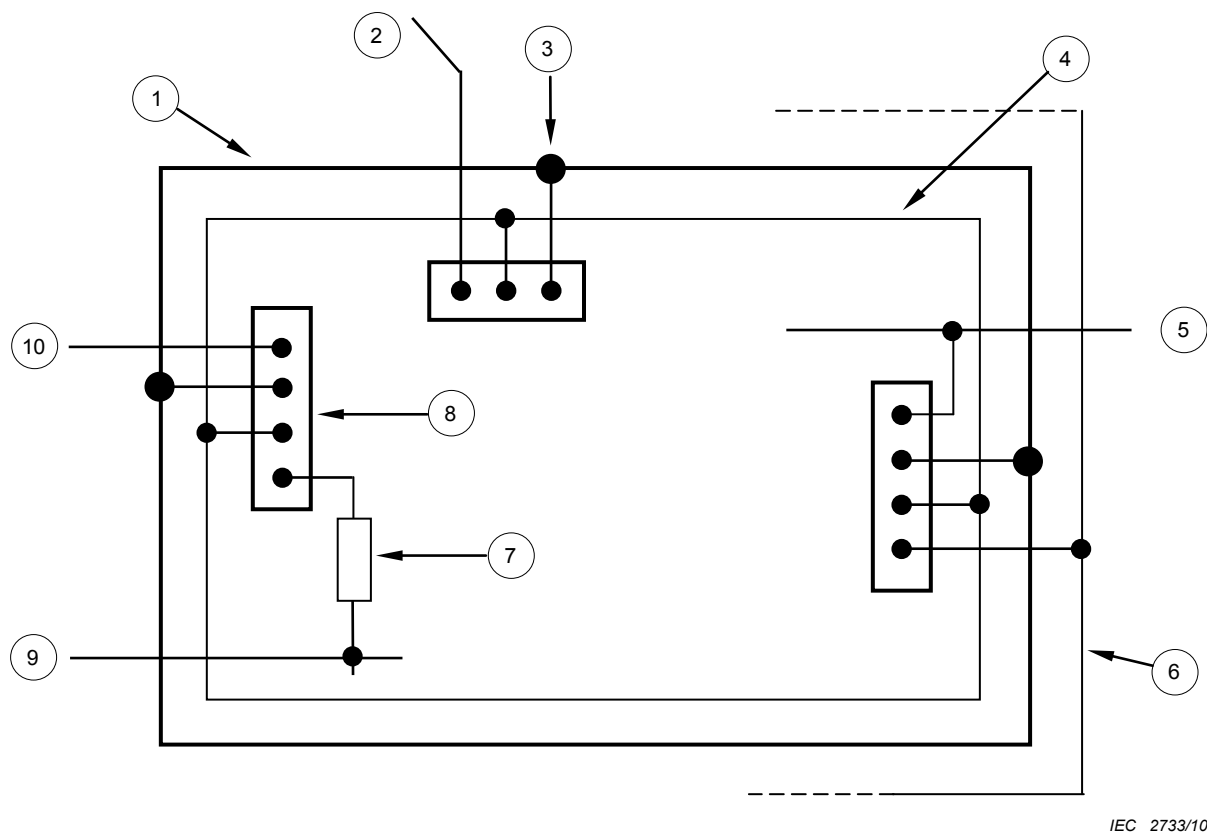
IEC 2732/10

#### Key

- 1 external conductive part, e.g. metallic water pipe
- 2 electric power or communication line
- 3 steel reinforcement of the outer concrete wall and the foundation
- 4 ring earthing electrode
- 5 to an additional earthing electrode
- 6 special bonding joint
- 7 steel-reinforced concrete wall, see Key, 3
- 8 SPD
- 9 bonding bar

NOTE The steel reinforcement in the foundation is used as a natural earth electrode.

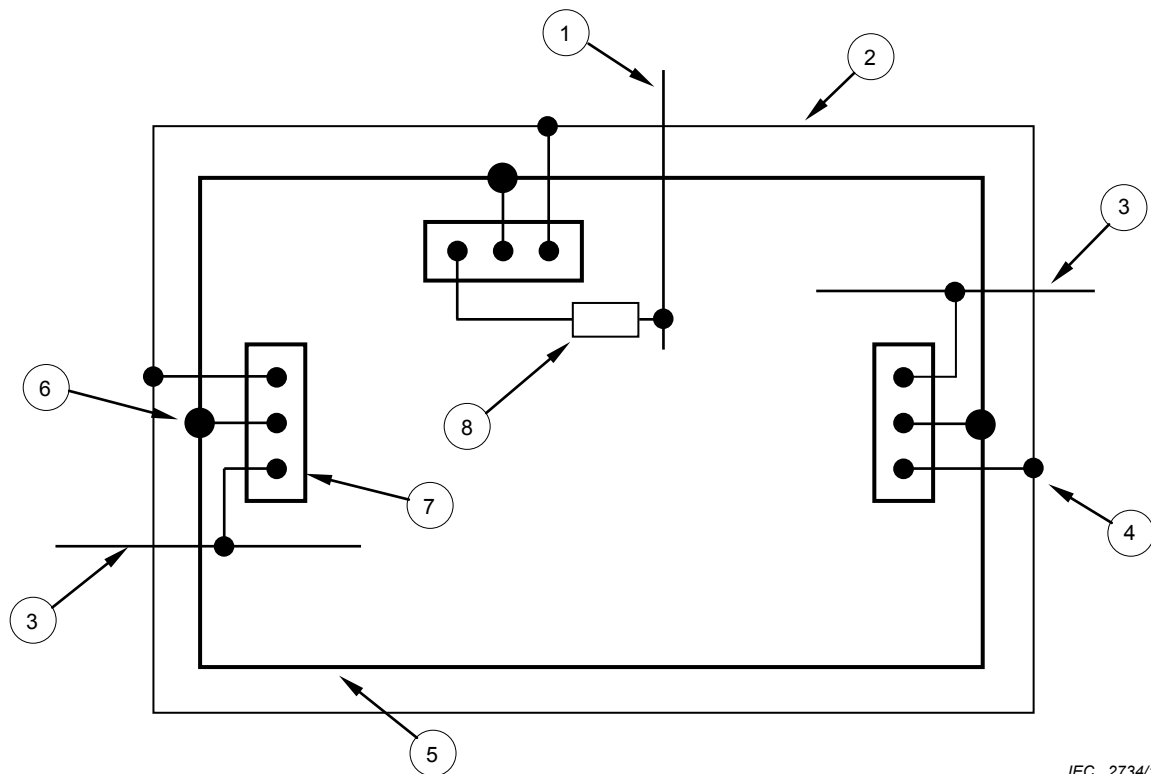
**Figure E.44 – Example of bonding arrangement in a structure with multiple point entries of external conductive parts using a ring electrode for interconnection of bonding bars**



**Key**

- 1 steel reinforcement of the outer concrete wall and foundation
- 2 other earthing electrode
- 3 bonding joint
- 4 internal ring conductor
- 5 to external conductive part, e.g. water pipe
- 6 ring earthing electrode, type B earthing arrangement
- 7 SPD
- 8 bonding bar
- 9 electric power or communication line
- 10 to additional earthing electrode, type A earthing arrangement

**Figure E.45 – Example of bonding in the case of multiple point entries of external conductive parts and an electric power or communication line using an internal ring conductor for interconnection of the bonding bars**



IEC 2734/10

**Key**

- 1 electric power or communication line
- 2 external horizontal ring conductor (above ground)
- 3 external conductive part
- 4 down-conductor joint
- 5 steel reinforcement in the wall
- 6 bonding joint to construction steel
- 7 bonding bar
- 8 SPD

**Figure E.46 – Example of bonding arrangement in a structure with multiple point entries of external conductive parts entering the structure above ground level**

### E.6.2.3 Lightning equipotential bonding for external conductive parts

No additional information available.

### E.6.2.4 Lightning equipotential bonding for electrical and electronic systems within the structure to be protected

Details for lightning equipotential bonding for internal systems are given in IEC 62305-4.

### E.6.2.5 Equipotential bonding of external services

Preferably, the external conductive parts and the electrical power and communication lines should enter the structure near ground level at a common location.

Equipotential bonding should be performed as close as possible to the entry point into the building. In the case of a low-voltage power supply, this is immediately downstream of the service entrance box (subject to approval of the local power company).

The bonding bar at this common location of entry should be connected with short bonding conductors to the earth-termination system.

If the services entering the building are shielded lines, the shields shall be connected to the bonding bar. The overvoltage reaching the active conductors is a function of the size of the partial lightning current over the screen (i.e. according to Annex B) and the cross-section of the shield. Annex E of IEC 62305-1:2010 provides a method to estimate this current. SPDs are necessary if the expected overvoltages exceed the specification of the line and connected objects.

If the services entering the building are not shielded, the partial lightning current will flow on the active conductors. In this case, SPDs with lightning current capabilities should be placed at the entry point. PE or PEN conductors may be connected to the bonding bar directly.

When the external conductive parts, the electrical power and communication lines have to enter the structure at different locations, and therefore need several bonding bars to be installed, the bonding bars should be connected as closely as possible to the earth-termination system, i.e. the ring earth electrode, to the reinforcement of the structure and to the foundation earth electrode of the structure, if applicable.

When a type A earthing arrangement is utilized as a part of the LPS, the bonding bars should be connected to individual earth electrodes and, in addition, they should be interconnected by an internal ring conductor or an internal conductor forming a partial ring.

For entries of external services above the earth surface, the bonding bars should be connected to a horizontal ring conductor inside or outside the outer wall bonded to the down-conductors of the LPS and to the metallic reinforcement of the structure, if applicable.

The ring conductor should be connected to the steel reinforcement, and other metallic elements of the structure, at regular subdivisions of the distance between the down-conductors as stated in Table 4, typically every 5 m to 10 m.

In buildings principally designed for computer centres, communication buildings and other structures requiring a low level of LEMP induction effects, the ring conductor should be connected to the reinforcement typically every 5 m.

For the bonding of external services in reinforced concrete buildings which contain large communication or computer installations, and for structures where EMC demands are severe, a ground plane with multiple connections to the metallic reinforcement of the structure or other metallic elements should be used.

### **E.6.3 Electrical isolation of the external LPS**

#### **E.6.3.1 General**

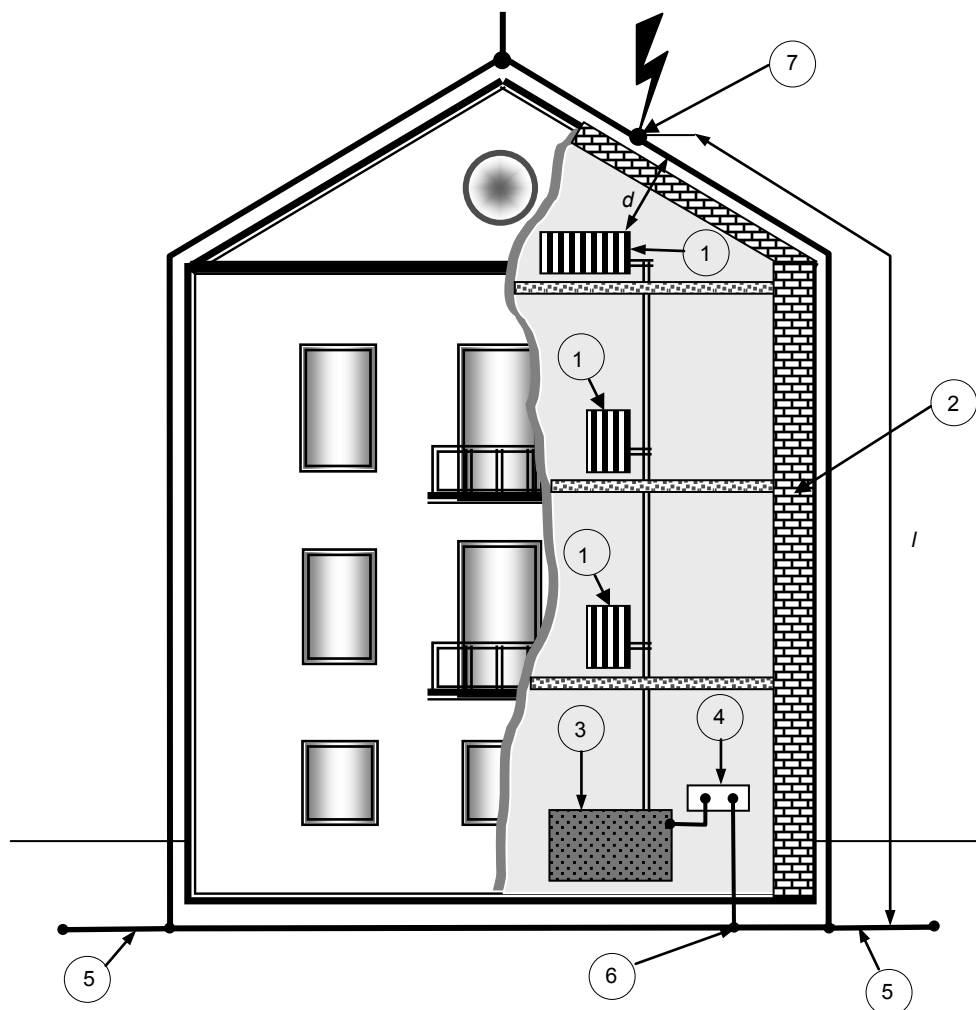
An adequate separation distance, determined according to 6.3, should be maintained between the external LPS and all conductive parts connected to the equipotential bonding of the structure.

The separation distance may be evaluated by Equation (4) shown in 6.3.

The reference length,  $l$ , for the calculation of the separation distance  $s$  (see 6.3), should be the distance between the connection to the nearest equipotential bonding point or earth-termination network and the point of proximity along the down-conductor. The roof and down-conductors should follow a route as straight as possible to keep the necessary separation distance low.

The length and the path of the conductor within the building running from bonding bar to point of proximity is generally of little influence on the separation distance, but when this conductor runs close to a lightning current-carrying conductor, the necessary separation distance will be

lower. Figure E.47 illustrates how the critical length,  $l$ , used for calculation of the separation distance,  $s$ , according to 6.3, is measured on an LPS.



IEC 2735/10

**Key**

- 1 metallic radiator/heater
- 2 wall of brickwork or wood
- 3 heater
- 4 equipotential bonding bar
- 5 earth-termination system
- 6 connection to the earth-termination system or to the down-conductor
- 7 worst case
- $d$  actual distance
- $l$  length for evaluation of separation distance,  $s$

NOTE The structure consists of insulating bricks.

**Figure E.47 – Directions for calculations of the separation distance,  $s$ , for a worst case lightning interception point at a distance,  $l$ , from the reference point according to 6.3**

In structures where the building components are used as natural down-conductors, for example steel reinforcement in concrete, the reference point should be the connection point to the natural down-conductor.

Structures with outer surfaces that do not contain conductive elements, such as structures of wood or brickwork, should use the shortest possible overall distance along the lightning protection conductors  $l$  from the most unfavourable lightning strike point to the nearest earth-

termination or the point where the equipotential bonding system of the internal installation is connected to the down-conductor or the earth-termination system, for calculation of the separation distance,  $s$ , according to 6.3.

When it is not possible to maintain the distance greater than the separation distance  $s$  along the whole length of the considered installation, bonding of the installation to the LPS should also be performed at the furthest point from the reference bonding point (see Figure E.47). Therefore, the electrical conductors should either be re-routed in accordance with the requirements of the separation distance (see 6.3) or they should be enclosed in a conductive shield bonded to the LPS at the furthest point from the reference bonding point.

When bonding of installations to the LPS in buildings lower than 30 m is performed at the reference point and the furthest point, the separation distance is fulfilled along the whole path of the installation.

The following points are often critical and require particular consideration:

- In the case of larger structures, the separation distance between the LPS conductors and the metal installations is often so large that it cannot be implemented. This involves additional bonding of the LPS to these metal installations. Consequently, a portion of the lightning current flows via these metal installations to the earth-termination system of the structure.
- Electromagnetic interference occurring as a result of these partial currents should be taken into account when planning the structure installations and designing the lightning protection electromagnetic zones inside the structure according to IEC 62305-4.

However, the interference will be significantly lower than that caused by an electrical spark at this point.

In the case of roofs, the distance between the LPS and the electrical installations is often found to be shorter than the separation distance,  $s$ , given in 6.3. If this is the case, an attempt should be made to install the LPS or the electrical conductor at a different location.

An agreement should be reached with the person responsible for the electrical installation to perform a re-routing of electrical circuits which do not conform to the separation distance to the air-termination conductors on structures.

When the electrical installation cannot be re-routed, bonding to the external LPS should be carried out in accordance with 6.3.

In some buildings it is not possible to maintain the separation distances as required. Internal constructions can prevent the designer or installer from assessing situations and making connections to certain metal parts and electrical conductors. This should be communicated to the owner of the building.

#### **E.6.3.2 Simplified approach**

The simplified approach according to 6.3.2 is possible, if the widest horizontal elongation of the structure (length or width) does not exceed four times the height.

#### **E.6.4 Protection against effects of induced currents in internal systems**

Currents in the conductors of the external LPS may induce excessive over-voltages in the conductor loops of the internal installations by the effect of magnetic coupling. Overvoltages may cause failures of internal systems.

Since practically all buildings contain electronic equipment, the effect of the electromagnetic field of the external and internal down-conductors should be taken into account in the planning of the lightning protection system.

Protection measures against overvoltages are given in IEC 62305-4.

## E.7 Maintenance and inspection of the LPS

### E.7.1 Scope of inspections

Inspection of the LPS should be conducted by a lightning protection specialist in accordance with the recommendations of Clause E.7.

The inspector should be provided with the LPS design report containing the necessary documentation of the LPS such as design criteria, design description and technical drawings. The LPS inspector should also be provided with previous LPS maintenance and inspection reports.

All LPS should be inspected on the following occasions:

- during installation of the LPS, especially during installation of components which are concealed in the structure and will become inaccessible;
- after the completion of the LPS installation;
- on a regular basis according to Table E.2.

**Table E.2 – Maximum period between inspections of an LPS**

Protection level	Visual inspection year	Complete inspection year	Critical situations <sup>a b</sup> complete inspection year
I and II	1	2	1
III and IV	2	4	1

<sup>a</sup> Lightning protection systems utilized in applications involving structures with a risk caused by explosive materials should be visually inspected every 6 months. Electrical testing of the installation should be performed once a year. An acceptable exception to the yearly test schedule would be to perform the tests on a 14 to 15 month cycle where it is considered beneficial to conduct earth resistance testing over different times of the year to get an indication of seasonal variations.

<sup>b</sup> Critical situations could include structures containing sensitive internal systems, office blocks, commercial buildings or places where a high number of people may be present.

The inspection frequencies given in Table E.2 should apply where no specific requirements are identified by the authority having jurisdiction.

NOTE If national authorities or institutions require regular tests of the electrical system of a structure, it is recommended to test the lightning protection system with regard to the functioning of the internal lightning protection measures, including the lightning protection equipotential bonding with electric systems at the same time. Older installations, analogously, should be related to a lightning protection class, or the test intervals should be taken from the local or any other test specifications such as construction guide lines, technical regulations, instructions, industrial safety and protection of labour laws.

The LPS should be visually inspected at least annually. In some areas where severe weather changes and extreme weather conditions occur, it is advisable to visually inspect the system more often than indicated in Table E.2. Where the LPS forms part of the client's planned maintenance programme, or is a requirement of the building insurers, the LPS may be required to be fully tested annually.

The interval between the LPS inspections should be determined by the following factors:

- classification of structure protected, especially with regard to the consequential effects of damage;
- class of LPS;
- local environment, for example a corrosive atmosphere environment should have short intervals between inspections;

- the materials of the individual LPS components;
- the type of surface to which the LPS components are attached;
- the soil condition and associated corrosion rates.

In addition to the above, an LPS should be inspected whenever any significant alteration or repairs are made to a protected structure and also following any known lightning discharge to the LPS.

A total inspection and test should be completed every two to four years. Systems in critical environmental conditions, for example parts of the LPS exposed to severe mechanical stresses such as flexible bonding straps in high wind areas, SPDs on pipelines, outdoor bonding of cables etc., should have a complete inspection every year.

In most geographical areas, and especially in areas which experience extreme seasonal changes in temperature and rainfall, the variation of the earthing resistance should be taken into account by measuring the resistivity depth profile in different weather periods.

An improvement of the earthing system should be considered when the measured resistance values show larger changes in the resistance than anticipated in the design, especially when the resistance increases steadily between inspections.

## **E.7.2 Order of inspections**

### **E.7.2.1 Inspection procedure**

The purpose of this inspection is to ensure that the LPS conforms to this standard in all respects.

The inspection includes checking technical documentation, visual inspections, testing and logging in an inspection report.

### **E.7.2.2 Checking of technical documentation**

Technical documentation should be checked for completeness, conformity to this standard and agreement with the plant as executed.

### **E.7.2.3 Visual inspections**

Visual inspections should be made to ascertain that

- the design conforms to this standard,
- the LPS is in good condition,
- there are no loose connections and no accidental breaks in the LPS conductors and joints,
- no part of the system has been weakened by corrosion, especially at ground level,
- all visible earth connections are intact (functionally operational),
- all visible conductors and system components are fastened to the mounting surfaces and components which provide mechanical protection are intact (functionally operational) and in the right place,
- there have not been any additions or alterations to the protected structure which would require additional protection,
- there has been no indication of damage to the LPS, to SPDs or any failures of fuses which protect SPDs,
- correct equipotential bonding has been established for any new services or additions which have been made to the interior of the structure since the last inspection, and that continuity tests have been performed for these new additions,



- bonding conductors and connections inside the structure are present and intact (functionally operational),
- separation distances are maintained,
- bonding conductors, joints, shielding devices, cable routing and SPDs have been checked and tested.

#### **E.7.2.4 Testing**

Inspection and testing of the LPS includes visual inspections and should be completed by the following actions:

- performing continuity tests, especially continuity of those parts of the LPS which were not visible for inspection during the initial installation and are not subsequently available for visual inspection;
- conducting earth resistance tests of the earth-termination system. The following isolated and combined earth measurements and checks should be made and the results recorded in an LPS inspection report.

NOTE 1 High-frequency or impulse measurements are possible and useful to determine the high frequency or impulse behaviour of the earth-termination system. These measurements may be performed at the installation stage as well as periodically for the maintenance of the earthing system to check adequacy between the designed earthing system and the need.

- a) The resistance to earth of each local earth electrode and where reasonably practical the resistance to earth of the complete earth-termination system.

Each local earth electrode should be measured in isolation with the test joint between the down-conductor and earth electrode in the disconnected position (isolated measurement).

NOTE 2 For earth networks incorporating both vertical earth rods and a partial or full ring earth electrode, disconnection and testing should be performed at the earth inspection pit. If such inspection is difficult to perform, routine test should be completed by high frequency or impulse tests.

If the resistance to earth of the earth-termination system as a whole exceeds 10  $\Omega$ , a check should be made to ascertain that the electrode conforms to Figure 3.

If there is a significant increase or decrease in the value of the earth resistance, additional investigations should be made to determine the reason for the change.

For earth electrodes in rocky soil, the requirements of E.5.4.3.5 should be followed. The 10  $\Omega$  requirement is not applicable in this case.

- b) The results of a visual check of all conductors, bonds and joints or their measured electrical continuity.

If the earth-termination system does not conform to these requirements, or checking the requirements is not possible because of a lack of information, the earth-termination system should be improved by installing extra earth electrodes or installing a new earth-termination system.

SPDs without a visual indicator need to be tested, preferably using the guidelines or equipment provided by the manufacturer.

#### **E.7.2.5 Documentation of inspection**

LPS inspection guides should be prepared to facilitate LPS inspections. They should contain sufficient information to guide the inspector through the inspection process so that all areas of importance are documented such as the method of LPS installation, the type and condition of the LPS components, test methods and the proper recording of the test data obtained.

The inspector should compile an LPS inspection report, which should be kept together with the LPS design report and the previously compiled LPS maintenance and inspection reports.

The LPS inspection report should contain the following information:

- general conditions of air-termination conductors, and other air-termination components;
- general level of corrosion and the condition of the corrosion protection;
- security of attachment of the LPS conductors and components;
- earth resistance measurements of the earth-termination system;
- any deviation from the requirements of this standard;
- documentation of all changes and extension of the LPS and any changes to the structure. In addition, the LPS construction drawings and the LPS design description should be reviewed;
- the results of the tests performed.

### **E.7.3 Maintenance**

The LPS should be maintained regularly to ensure that it does not deteriorate but continues to fulfil the requirements to which it was originally designed. The design of an LPS should determine the necessary maintenance and inspection cycle according to Table E.2.

The LPS maintenance programme should ensure a continuous updating of the LPS to the current issue of this standard.

#### **E.7.3.1 General remarks**

LPS components tend to lose their effectiveness over the years because of corrosion, weather-related damage, mechanical damage and damage from lightning strokes.

The inspection and maintenance programmes should be specified by an authority, the LPS designer or the LPS installer, in conjunction with the owner of the structure or an appointed representative.

To carry out maintenance work and to perform inspections of an LPS the two programmes, inspection and maintenance, should be coordinated.

Maintenance of an LPS is important even though the LPS designer has taken special precautions to provide corrosion protection and has dimensioned the LPS components according to their particular exposure to lightning damage and weather elements in addition to the requirements of this standard.

The mechanical and electrical characteristics of the LPS should be fully maintained throughout the entire lifetime of the LPS in order to conform to the design requirements of this standard.

It may be necessary to modify the LPS if modifications are carried out on the building or its equipment or if the purpose for which the building is utilized is altered.

If an inspection shows that repairs are necessary, those repairs should be executed without delay and not be postponed until the next maintenance cycle.

#### **E.7.3.2 Maintenance procedure**

Periodic maintenance programmes should be established for all LPS.

The frequency of maintenance procedures is dependent on the following:

- weather- and environment-related degradation;
- exposure to actual lightning damage;

- protection level assigned to the structure.

LPS maintenance procedures should be established for each particular LPS and should become a part of the overall maintenance programme for the structure.

A maintenance programme should contain a list of routine items to serve as a checklist so that definite maintenance procedures are followed regularly in order to make it possible to compare recent results with previous ones.

A maintenance programme should contain provisions for the following:

- verification of all LPS conductors and system components;
- verification of the electrical continuity of the LPS installation;
- measurement of the resistance to earth of the earth-termination system;
- verification of SPDs;
- re-fastening of components and conductors;
- verification to ensure the effectiveness of the LPS has not been reduced after additions to, or changes in, the structure and its installations.

#### **E.7.3.3 Maintenance documentation**

Complete records should be kept of all maintenance procedures and should include corrective actions taken or required.

Maintenance procedure records should provide a means of evaluating LPS components and the LPS installation.

The LPS maintenance record should serve as a basis for reviewing maintenance procedures as well as for updating maintenance programmes. The LPS maintenance records should be kept together with the LPS design and the LPS inspection reports.

## Bibliography

- [1] NFPA (National Fire Protection Standards), 780:2008, *Standard for the Installation of Lightning Protection Systems*
  - [2] IEC 61400-24, *Wind turbines – Part 24: Lightning protection*
  - [3] IEC 60050-826:2004, *International Electrotechnical Vocabulary – Part 826: Electrical installations*
  - [4] IEC 60050-426:2008, *International Electrotechnical Vocabulary – Part 426: Equipment for explosive atmospheres*
  - [5] IEC/TR 61000-5-2, *Electromagnetic compatibility (EMC) – Part 5: Installation and mitigation guidelines – Section 2: Earthing and cabling*
  - [6] IEC 60728-11, *Cable networks for television signals, sound signals and interactive services – Part 11: Safety*
-

www.TeraStandard.com

## SOMMAIRE

AVANT-PROPOS.....	161
INTRODUCTION.....	164
1 Domaine d'application .....	165
2 Références normatives.....	165
3 Termes et définitions .....	166
4 Système de protection contre la foudre (SPF).....	170
4.1 Classe de SPF .....	170
4.2 Conception du SPF .....	171
4.3 Continuité des armatures d'acier dans des structures en béton armé .....	171
5 Installation extérieure de système de protection contre la foudre.....	172
5.1 Généralités.....	172
5.1.1 Application d'une installation extérieure de système de protection contre la foudre .....	172
5.1.2 Choix de l'installation extérieure de système de protection contre la foudre.....	172
5.1.3 Utilisation des composants naturels.....	172
5.2 Dispositifs de capture.....	172
5.2.1 Généralités.....	172
5.2.2 Emplacement.....	173
5.2.3 Dispositifs de capture contre les coups de foudre latéraux sur les structures hautes.....	174
5.2.4 Mise en œuvre .....	175
5.2.5 Composants naturels.....	175
5.3 Conducteurs de descente.....	176
5.3.1 Généralités.....	176
5.3.2 Emplacement d'un SPF isolé .....	177
5.3.3 Emplacement d'un SPF non isolé .....	177
5.3.4 Mise en œuvre .....	177
5.3.5 Composants naturels.....	178
5.3.6 Bornes d'essai.....	179
5.4 Réseau de prises de terre .....	179
5.4.1 Généralités.....	179
5.4.2 Dispositions de prise de terre dans les conditions générales .....	180
5.4.3 Installation des électrodes de terre .....	181
5.4.4 Electrodes de terre naturelles.....	182
5.5 Composants .....	182
5.5.1 Généralités.....	182
5.5.2 Fixations.....	183
5.5.3 Connexions .....	183
5.6 Matériaux et dimensions.....	184
5.6.1 Matériaux .....	184
5.6.2 Dimensions .....	184
6 Installation intérieure de système de protection contre la foudre.....	185
6.1 Généralités.....	185
6.2 Liaison équipotentielle de foudre .....	186
6.2.1 Généralités.....	186
6.2.2 Liaison équipotentielle de foudre pour les installations métalliques.....	186

6.2.3	Liaison équipotentielle de foudre pour les parties conductrices extérieures .....	187
6.2.4	Liaison équipotentielle de foudre des réseaux internes .....	188
6.2.5	Liaison équipotentielle de foudre des lignes connectées à la structure à protéger.....	188
6.3	Isolation électrique du SPF extérieur .....	189
6.3.1	Généralités.....	189
6.3.2	Approche simplifiée .....	190
6.3.3	Approche détaillée.....	191
7	Maintenance et inspection d'un SPF .....	191
7.1	Généralités.....	191
7.2	Application des inspections .....	191
7.3	Ordre des inspections .....	191
7.4	Maintenance.....	192
8	Mesures de protection contre les blessures d'êtres vivants dues aux tensions de contact et de pas .....	192
8.1	Mesures de protection contre les tensions de contact.....	192
8.2	Mesures de protection contre les tensions de pas .....	192
	Annexe A (normative) Emplacement du dispositif de capture .....	194
	Annexe B (normative) Section minimale de l'écran d'un câble entrant pour éviter des étincelles dangereuses .....	199
	Annexe C (informative) Evaluation de la distance de séparation $s$ .....	200
	Annexe D (normative) Informations complémentaires concernant les SPF dans le cas de structures avec risque d'explosion .....	206
	Annexe E (informative) Lignes directrices pour la conception, la mise en œuvre, la maintenance et l'inspection des systèmes de protection contre la foudre .....	214
	Bibliographie.....	313
	Figure 1 – Angle de protection correspondant à la classe de SPF .....	174
	Figure 2 – Boucle d'un conducteur de descente .....	178
	Figure 3 – Longueur minimale $l_1$ de chaque électrode de terre selon la classe de SPF .....	180
	Figure A.1 – Volume protégé par une tige de capture verticale .....	194
	Figure A.2 – Volume protégé par une tige de capture verticale .....	195
	Figure A.3 – Volume protégé par un réseau de fils tendus .....	195
	Figure A.4 – Volume protégé par des conducteurs isolés combinés dans une maille selon la méthode de l'angle de protection et la méthode de la sphère fictive .....	196
	Figure A.5 – Volume protégé par des conducteurs non-isolés combinés dans une maille selon la méthode des mailles et la méthode de l'angle de protection .....	197
	Figure A.6 – Conception du dispositif de capture selon la méthode de la sphère fictive .....	198
	Figure C.1 – Valeurs du coefficient $k_c$ dans le cas d'un réseau de fils tendus .....	200
	Figure C.2 – Valeurs du coefficient $k_c$ dans le cas d'un réseau à plusieurs conducteurs de descente .....	201
	Figure C.3 – Valeurs du coefficient $k_c$ dans le cas d'une toiture en pente avec un dispositif de capture sur l'arête .....	203
	Figure C.4 – Exemples de calcul de la distance de séparation dans le cas de conducteurs de descente multiples, avec ceinturage des conducteurs de descente à chaque niveau .....	204
	Figure C.5 – Valeurs du coefficient $k_c$ dans le cas d'un réseau de capture maillé et d'un réseau de conducteurs de descente multiples (à améliorer si possible) .....	205

Figure E.1 – Schéma de conception d'un SPF .....	216
Figure E.2 – Conception d'un système de protection contre la foudre pour l'encorbellement d'une structure .....	222
Figure E.3 – Mesure de la résistance électrique totale .....	223
Figure E.4 – Equipotentialité dans une structure avec armature d'acier .....	225
Figure E.5 – Méthodes typiques de jonction des tiges de renfort dans le béton (lorsque cela est admis) .....	226
Figure E.6 – Exemple de fixations utilisées comme connexions entre les tiges de renfort et les conducteurs .....	227
Figure E.7 – Exemples de points de connexion à l'armature d'un mur en béton armé.....	228
Figure E.8 – Utilisation d'une façade métallique comme réseau de conducteurs de descente naturels et connexion des supports de façade .....	232
Figure E.9 – Connexion du bandeau continu de baies à la couverture métallique d'une façade .....	233
Figure E.10 – Conducteurs de descente intérieurs dans des structures industrielles .....	236
Figure E.11 – Installation de conducteurs d'équipotentialité dans les structures en béton armé et de liaisons souples entre deux panneaux en béton armé .....	238
Figure E.12 – Conception d'un dispositif de capture selon la méthode de l'angle de protection pour diverses hauteurs conformément au Tableau 2.....	242
Figure E.13 – SPF isolé extérieur utilisant deux mâts de capture isolés, conçu selon la méthode de l'angle de protection .....	243
Figure E.14 – SPF isolé extérieur avec deux mâts de capture isolés, interconnectés par un conducteur de capture horizontal .....	244
Figure E.15 – Exemple de conception d'un dispositif de capture d'un SPF non isolé par tiges de capture .....	245
Figure E.16 – Exemple de conception d'un dispositif de capture d'un SPF non isolé constitué par un fil horizontal selon la méthode de l'angle de protection .....	246
Figure E.17 – Volume protégé d'une tige de capture sur une surface en pente en utilisant la méthode de l'angle de protection .....	247
Figure E.18 – Conception d'un réseau de dispositifs de capture de SPF sur une structure de forme complexe.....	248
Figure E.19 – Conception d'un dispositif de capture d'un SPF selon la méthode de l'angle de protection, la méthode des mailles et disposition générale des éléments de capture .....	249
Figure E.20 – Espace protégé par deux fils parallèles et horizontaux de capture ou deux tiges de capture ( $r > h_t$ ) .....	250
Figure E.21 – Exemple de conception de dispositif de capture de SPF non isolé selon la méthode des mailles .....	252
Figure E.22 – Quelques exemples de détails d'un SPF sur une structure avec toitures en pente recouvertes de tuiles .....	255
Figure E.23 – Dispositif de capture et conducteurs cachés pour des bâtiments de hauteur inférieure à 20 m, avec des toits en pente .....	256
Figure E.24 – Installation d'un SPF utilisant les composants naturels du toit de la structure .....	258
Figure E.25 – Emplacement du SPF extérieur sur une structure en matériau isolant, par exemple, du bois ou des briques, d'une hauteur maximale de 60 m avec toiture en terrasse et fixations de toiture.....	259
Figure E.26 – Installation d'un réseau de capture sur une toiture avec revêtement conducteur où le percement de la couverture n'est pas acceptable .....	260



Figure E.27 – Installation d'un SPF extérieur sur une structure à armature d'acier utilisant l'armature des parois extérieures comme composants naturels.....	261
Figure E.28 – Exemple de goujon de capture utilisé sur les toitures de parcs de stationnement.....	262
Figure E.29 – Tige de capture utilisée pour la protection d'une fixation métallique de toiture comportant des installations électriques non reliées au dispositif de capture.....	263
Figure E.30 – Méthode de réalisation d'une continuité électrique sur un revêtement de parapet métallique.....	264
Figure E.31 – Fixation métallique de toiture protégée contre les impacts directs de la foudre, connectée au dispositif de capture.....	267
Figure E.32 – Exemples d'installation d'un système de protection contre la foudre d'une maison avec antenne TV.....	270
Figure E.33 – Installation d'un système de protection contre la foudre d'un équipement métallique de toiture contre un impact de foudre direct.....	271
Figure E.34 – Connexion d'une tige de capture naturelle au conducteur de capture.....	273
Figure E.35 – Réalisation du pontage entre les segments de panneaux de façade métalliques.....	274
Figure E.36 – Installation d'un SPF extérieur sur une structure en matériau isolant avec différents niveaux de toiture.....	277
Figure E.37 – Exemples de géométrie des conducteurs de SPF.....	278
Figure E.38 – Installation d'un SPF avec uniquement deux conducteurs de descente et prises de terre à fond de fouille.....	279
Figure E.39 – Exemples de connexion du réseau de prises de terre au SPF de structures utilisant des conducteurs de descente naturels (poutres) et détail d'une borne d'essai.....	283
Figure E.40 – Réalisation d'une prise de terre à fond de fouille pour les structures à différentes conceptions de fondation.....	287
Figure E.41 – Exemples de deux prises de terre verticales avec disposition de terre de type A.....	289
Figure E.42 – Réseau de prises de terre maillé d'une implantation.....	292
Figure E.43 – Exemple de disposition d'équipotentialité.....	299
Figure E.44 – Exemple d'une disposition d'équipotentialité d'une structure avec des entrées multiples de parties conductrices extérieures utilisant une prise de terre en boucle pour l'interconnexion des barres d'équipotentialité.....	301
Figure E.45 – Exemple d'équipotentialité dans le cas d'entrées multiples de parties conductrices extérieures et d'un réseau de puissance ou de communication utilisant un conducteur de ceinturage intérieur pour l'interconnexion des barres d'équipotentialité.....	302
Figure E.46 – Exemple de disposition d'équipotentialité d'une structure avec des entrées multiples de parties conductrices extérieures dans la structure au-dessus du niveau du sol.....	303
Figure E.47 – Indications pour les calculs de la distance de séparation $s$ pour le cas le plus défavorable de point d'impact de foudre à une distance $l$ du point de référence selon 6.3.....	305
Tableau 1 – Relation entre les niveaux de protection contre la foudre (NPF) et la classe de SPF (voir CEI 62305-1).....	170
Tableau 2 – Valeurs maximales du rayon de la sphère fictive, de la taille des mailles et de l'angle de protection correspondant à la classe de SPF.....	173
Tableau 3 – Epaisseur minimale des tôles ou canalisations métalliques des dispositifs de capture.....	176

Tableau 4 – Valeurs typiques préférables de la distance entre les conducteurs de descente selon la classe de SPF .....	177
Tableau 5 – Matériaux des SPF et conditions d'utilisation .....	182
Tableau 6 – Matériau, configuration et section minimale des conducteurs de capture, des tiges, des électrodes de terre guidées et des conducteurs de descente.....	184
Tableau 7 – Matériau, configuration et dimensions minimales des électrodes de terre .....	185
Tableau 8 – Dimensions minimales des conducteurs de connexion de différentes barres d'équipotentialité ou de connexion de ces mêmes barres au réseau de prises de terre.....	187
Tableau 9 – Dimensions minimales des conducteurs de connexion des installations métalliques internes à la barre d'équipotentialité .....	187
Tableau 10 – Isolation d'un SPF extérieur – Valeurs du coefficient $k_1$ .....	190
Tableau 11 – Isolation d'un SPF extérieur – Valeurs du coefficient $k_m$ .....	190
Tableau 12 – Isolation d'un SPF extérieur – Valeurs approchées du coefficient $k_c$ .....	190
Tableau B.1 – Longueur de câble à prendre en considération selon l'état de l'écran .....	199
Tableau E.1 – Points de fixation suggérés .....	253
Tableau E.2 – Période maximale entre les inspections d'un SPF .....	307

## COMMISSION ÉLECTROTECHNIQUE INTERNATIONALE

## PROTECTION CONTRE LA Foudre –

**Partie 3: Dommages physiques sur les structures et risques humains**

## AVANT-PROPOS

- 1) La Commission Electrotechnique Internationale (CEI) est une organisation mondiale de normalisation composée de l'ensemble des comités électrotechniques nationaux (Comités nationaux de la CEI). La CEI a pour objet de favoriser la coopération internationale pour toutes les questions de normalisation dans les domaines de l'électricité et de l'électronique. A cet effet, la CEI – entre autres activités – publie des Normes internationales, des Spécifications techniques, des Rapports techniques, des Spécifications accessibles au public (PAS) et des Guides (ci-après dénommés "Publication(s) de la CEI"). Leur élaboration est confiée à des comités d'études, aux travaux desquels tout Comité national intéressé par le sujet traité peut participer. Les organisations internationales, gouvernementales et non gouvernementales, en liaison avec la CEI, participent également aux travaux. La CEI collabore étroitement avec l'Organisation Internationale de Normalisation (ISO), selon des conditions fixées par accord entre les deux organisations.
- 2) Les décisions ou accords officiels de la CEI concernant les questions techniques représentent, dans la mesure du possible, un accord international sur les sujets étudiés, étant donné que les Comités nationaux de la CEI intéressés sont représentés dans chaque comité d'études.
- 3) Les Publications de la CEI se présentent sous la forme de recommandations internationales et sont agréées comme telles par les Comités nationaux de la CEI. Tous les efforts raisonnables sont entrepris afin que la CEI s'assure de l'exactitude du contenu technique de ses publications; la CEI ne peut pas être tenue responsable de l'éventuelle mauvaise utilisation ou interprétation qui en est faite par un quelconque utilisateur final.
- 4) Dans le but d'encourager l'uniformité internationale, les Comités nationaux de la CEI s'engagent, dans toute la mesure possible, à appliquer de façon transparente les Publications de la CEI dans leurs publications nationales et régionales. Toutes divergences entre toutes Publications de la CEI et toutes publications nationales ou régionales correspondantes doivent être indiquées en termes clairs dans ces dernières.
- 5) La CEI n'a prévu aucune procédure de marquage valant indication d'approbation et n'engage pas sa responsabilité pour les équipements déclarés conformes à une de ses Publications.
- 6) Tous les utilisateurs doivent s'assurer qu'ils sont en possession de la dernière édition de cette publication.
- 7) Aucune responsabilité ne doit être imputée à la CEI, à ses administrateurs, employés, auxiliaires ou mandataires, y compris ses experts particuliers et les membres de ses comités d'études et des Comités nationaux de la CEI, pour tout préjudice causé en cas de dommages corporels et matériels, ou de tout autre dommage de quelque nature que ce soit, directe ou indirecte, ou pour supporter les coûts (y compris les frais de justice) et les dépenses découlant de la publication ou de l'utilisation de cette Publication de la CEI ou de toute autre Publication de la CEI, ou au crédit qui lui est accordé.
- 8) L'attention est attirée sur les références normatives citées dans cette publication. L'utilisation de publications référencées est obligatoire pour une application correcte de la présente publication.
- 9) L'attention est attirée sur le fait que certains des éléments de la présente Publication de la CEI peuvent faire l'objet de droits de propriété intellectuelle ou de droits analogues. La CEI ne saurait être tenue pour responsable de ne pas avoir identifié de tels droits de propriété et de ne pas avoir signalé leur existence.

La Norme internationale CEI 62305-3 a été établie par le comité d'études 81 de la CEI: Protection contre la foudre.

Cette deuxième édition annule et remplace la première édition, parue en 2006, dont elle constitue une révision technique.

La présente édition comprend les modifications techniques importantes suivantes par rapport à la précédente édition:

- 1) Les épaisseurs minimales des tôles ou canalisations métalliques indiquées dans le Tableau 3 pour les dispositifs de capture sont supposées comme non capables d'éviter les problèmes de points chauds.
- 2) L'acier comportant un dépôt électrolytique de cuivre est introduit comme matériau adapté aux SPF.
- 3) Certaines surfaces de section des conducteurs du système de protection ont été légèrement modifiées.

- 4) A des fins de liaison, des éclateurs sont utilisés pour les installations métalliques, tandis que le parafoudre est utilisé pour les réseaux internes.
- 5) Deux méthodes – simplifiée et détaillée – sont fournies pour l'évaluation de la distance de séparation.
- 6) Les mesures de protection contre les blessures d'êtres vivants dues à un choc électrique sont également prises en compte à l'intérieur de la structure.
- 7) Une information plus complète concernant le système de protection contre la foudre (SPF) dans le cas de structures présentant un risque d'explosion est fournie à l'Annexe D (normative).

La présente version bilingue (2012-06) correspond à la version anglaise monolingue publiée en 2010-12.

Le texte anglais de cette norme est issu des documents 81/372/FDIS et 81/382/RVD.

Le rapport de vote 81/382/RVD donne toute information sur le vote ayant abouti à l'approbation de cette norme.

La version française de cette norme n'a pas été soumise au vote.

Cette publication a été rédigée, aussi fidèlement que possible, selon les Directives ISO/CEI, Partie 2.

Une liste de toutes les parties de la série CEI 62305, présentées sous le titre général *Protection contre la foudre*, est disponible sur le site web de la CEI.

Le comité a décidé que le contenu de cette publication ne sera pas modifié avant la date de stabilité indiquée sur le site web de la CEI sous "<http://webstore.iec.ch>" dans les données relatives à la publication recherchée. A cette date, la publication sera

- reconduite,
- supprimée,
- remplacée par une édition révisée, ou
- amendée.

Aux Etats-Unis, sur la base des exigences de la NFPA 780: Standard for the Installation of Lightning Protection Systems:2008 [1]<sup>1</sup> et sur l'expérience pratique de l'utilisation de prises de terre horizontales, une longueur minimale double de celle de prises de terre verticales n'est pas exigée.

En France et au Portugal:

- les composants naturels ne peuvent se substituer aux composants de protection contre la foudre, mais peuvent être utilisés pour compléter ou améliorer le SPF;
- il convient que les diamètres pleins en aluminium passent de 8 mm à 10 mm;
- des conducteurs en brins ne peuvent pas être utilisés comme conducteurs de descente;
- il convient que le diamètre des conducteurs pleins passe de 16 mm à 18 mm;
- il convient que l'épaisseur des bandes galvanisées à chaud passe de 2 mm à 3,5 mm.

En Russie, l'utilisation de canalisations écouant et de réservoirs contenant des matières facilement combustibles ou explosives, comme composants naturels des dispositifs de capture ou des conducteurs de descente n'est en aucun cas autorisée.

Au Japon, les valeurs minimales de la section sont réduites de:

- 16 mm<sup>2</sup> à 14 mm<sup>2</sup> pour le cuivre et de 25 mm<sup>2</sup> à 22 mm<sup>2</sup> pour l'aluminium, pour les conducteurs d'équipotentialité qui permettent de relier différentes barres d'équipotentialité et les conducteurs qui permettent de relier les barres au réseau de prises de terre;

---

<sup>1</sup> Les références entre crochets se rapportent à la bibliographie.

- 6 mm<sup>2</sup> à 5 mm<sup>2</sup> pour le cuivre, 10 mm<sup>2</sup> à 8 mm<sup>2</sup> pour l'aluminium et 16 mm<sup>2</sup> à 14 mm<sup>2</sup> pour l'acier, pour les conducteurs d'équipotentialité qui permettent de relier les installations métalliques internes aux barres d'équipotentialité.

**IMPORTANT – Le logo "colour inside" qui se trouve sur la page de couverture de cette publication indique qu'elle contient des couleurs qui sont considérées comme utiles à une bonne compréhension de son contenu. Les utilisateurs devraient, par conséquent, imprimer cette publication en utilisant une imprimante couleur.**

## INTRODUCTION

La présente partie de la CEI 62305 traite de la protection, à l'intérieur et autour d'une structure, contre les dommages physiques et contre les blessures d'êtres vivants dues aux tensions de contact et de pas.

La mesure de protection essentielle et la plus fiable pour la protection des structures contre les dommages physiques est considérée être le système de protection contre la foudre (SPF). Il comprend généralement un système de protection extérieure et un système de protection intérieure contre la foudre.

Un système de protection extérieure contre la foudre est destiné à

- a) intercepter un coup de foudre sur la structure (par un dispositif de capture);
- b) écouler de manière sûre le courant de foudre vers la terre (par un conducteur de descente);
- c) disperser le courant de foudre dans la terre (par un réseau de prises de terre).

Un système de protection intérieure contre la foudre permet de prévenir les étincelles dangereuses dans la structure en utilisant une liaison équipotentielle ou une distance de séparation (et de ce fait une isolation électrique) entre les composants du système de protection extérieure (tel que défini en 3.2) et les autres éléments conducteurs internes de la structure.

Les mesures de protection essentielles contre les blessures d'êtres vivants dues aux tensions de contact et de pas sont destinées à:

- 1) réduire les courants dangereux s'écoulant dans le corps humain par isolation des masses et/ou en augmentant la résistivité de surface du sol;
- 2) réduire l'apparition de tensions de contact et de pas dangereuses par des restrictions physiques et/ou par des pancartes d'avertissement.

Il convient d'étudier avec soin le type et l'emplacement du système de protection contre la foudre dès le stade de la conception d'une nouvelle structure, afin de pouvoir ainsi tirer un parti maximal des parties conductrices de la structure. Cela facilite ainsi l'étude et la réalisation d'une installation intégrée, et permet par ailleurs d'en améliorer l'aspect esthétique global et d'accroître l'efficacité du système de protection contre la foudre à un coût et un travail de réalisation minimum.

L'accès à la terre et l'utilisation appropriée des armatures de la fouille pour la réalisation d'une prise de terre appropriée risquent de ne plus être possibles après le début des travaux de construction sur un site. Par conséquent, il convient que la résistivité et la nature du sol soient prises en compte dès le stade initial d'un projet. Ces informations sont essentielles pour l'étude d'un réseau de prises de terre, et peuvent influencer les travaux de conception des fondations de la structure.

Il est primordial que les concepteurs et les installateurs d'un système de protection contre la foudre, ainsi que les architectes et les entrepreneurs se consultent régulièrement afin d'obtenir les meilleurs résultats au moindre coût.

Si une protection contre la foudre doit être installée sur une structure existante, il convient de veiller à s'assurer que celle-ci est conforme aux principes de la présente norme. Il convient que la conception pour le type et l'emplacement d'un système de protection contre la foudre prennent en compte les caractéristiques de la structure existante.

## PROTECTION CONTRE LA Foudre –

### Partie 3: Dommages physiques sur les structures et risques humains

#### 1 Domaine d'application

La présente partie de la CEI 62305 spécifie les exigences pour la protection d'une structure contre les dommages physiques par un système de protection contre la foudre (SPF) et pour la protection contre les blessures d'êtres vivants dues aux tensions de contact et de pas à proximité d'un SPF (voir la CEI 62305-1).

La présente norme est applicable:

- a) à la conception, l'installation, l'inspection et la maintenance d'un SPF des structures, sans limitation de leur hauteur;
- b) à la mise en œuvre de mesures pour la protection contre les blessures d'êtres vivants dues aux tensions de contact et de pas.

NOTE 1 Les exigences particulières pour un SPF de structures dangereuses pour leur environnement du fait d'un risque d'explosion sont à l'étude. Des informations supplémentaires sont fournies dans l'Annexe D pour une utilisation intermédiaire.

NOTE 2 La présente partie de la CEI 62305 n'est pas destinée à la protection contre les défaillances dans des réseaux de puissance et de communication dues à des surtensions. Des exigences particulières à ce type de cas sont fournies dans la CEI 62305-4.

NOTE 3 Des exigences particulières relatives à la protection contre la foudre des éoliennes sont mentionnées dans la CEI 61400-24 <sup>[2]</sup>.

#### 2 Références normatives

Les documents de référence suivants sont indispensables pour l'application du présent document. Pour les références datées, seule l'édition citée s'applique. Pour les références non datées, la dernière édition du document de référence s'applique (y compris les éventuels amendements).

CEI 60079-10-1:2008, *Atmosphères explosives – Partie 10-1: Classement des emplacements – Atmosphères explosives gazeuses*

CEI 60079-10-2:2009, *Atmosphères explosives – Partie 10-1: Classement des emplacements – Atmosphères explosives poussiéreuses*

CEI 60079-14:2007, *Atmosphères explosives – Partie 14: Conception, sélection et construction des installations électriques*

CEI 61557-4, *Sécurité électrique dans les réseaux de distribution basse tension de 1 000 V c.a. et 1 500 V c.c. – Dispositifs de contrôle, de mesure ou de surveillance de mesures de protection – Partie 4: Résistance de conducteurs de terre et d'équipotentialité*

CEI 61643-1, *Parafoudres basse tension – Partie 1: Parafoudres connectés aux réseaux de distribution basse tension – Exigences et essais*

CEI 61643-21, *Parafoudres basse tension – Partie 21: Parafoudres connectés aux réseaux de signaux et de télécommunications – Prescriptions de fonctionnement et méthodes d'essais*

CEI 62305-1, *Protection against lightning – Part 1: General principles*  
(disponible en anglais seulement)

CEI 62305-2, *Protection contre la foudre – Partie 2: Evaluation des risques*

CEI 62305-4, *Protection contre la foudre – Partie 4: Réseaux de puissance et de communication dans les structures*

CEI 62561 (toutes les parties)<sup>2</sup>, *Composants des systèmes de protection contre la foudre (CSPF)*

CEI 62561-1<sup>2</sup>, *Lightning protection system components (LPSC) – Part 1: Requirements for connection components*  
(disponible en anglais seulement)

CEI 62561-3<sup>2</sup>, *Lightning protection system components (LPSC) – Part 3: Requirements for isolating spark gaps*  
(disponible en anglais seulement)

ISO 3864-1, *Symboles graphiques – Couleurs de sécurité et signaux de sécurité – Partie 1: Principes de conception pour les signaux de sécurité sur les lieux de travail et dans les lieux publics*

### 3 Termes et définitions

Pour les besoins du présent document, les termes et définitions suivants, dont certains ont déjà été cités dans la Partie 1, mais sont répétés ci-dessous pour faciliter la lecture, ainsi que ceux donnés dans les autres parties de la CEI 62305, s'appliquent.

#### 3.1

##### **système de protection contre la foudre**

SPF

installation complète utilisée pour réduire les dangers de dommages physiques dus aux coups de foudre directs sur une structure

NOTE Elle comprend à la fois une installation extérieure et une installation intérieure de protection contre la foudre.

#### 3.2

##### **installation extérieure du système de protection contre la foudre**

partie de système de protection contre la foudre (SPF) comprenant un dispositif de capture, des conducteurs de descente et une prise de terre

#### 3.3

##### **installation extérieure du système de protection contre la foudre isolée de la structure à protéger**

système de protection contre la foudre dont le dispositif de capture et le conducteur de descente sont placés de manière que le trajet du courant de foudre n'ait aucun contact avec la structure à protéger

NOTE Dans un SPF isolé, des étincelles dangereuses entre le SPF et la structure sont évitées.

---

<sup>2</sup> En préparation.



**3.4****installation extérieure du système de protection contre la foudre non isolée de la structure à protéger**

système de protection contre la foudre dont le dispositif de capture et le conducteur de descente sont placés de manière que le trajet du courant de foudre puisse être en contact avec la structure à protéger

**3.5****installation intérieure du système de protection contre la foudre**

partie du SPF comprenant les liaisons équipotentielles de foudre et/ou l'isolation électrique d'un SPF extérieur

**3.6****dispositif de capture**

partie de l'installation extérieure de SPF utilisant des éléments métalliques tels que tiges, mailles ou fils tendus destinés à intercepter la foudre

**3.7****système de conducteur de descente**

partie de l'installation extérieure de SPF destinée à conduire le courant de foudre du dispositif de capture à la prise de terre

**3.8****conducteur de ceinturage (ceinturage d'équipotentialité)**

conducteur constituant une boucle autour de la structure et réalisant les interconnexions des conducteurs de descente pour la répartition du courant de foudre

**3.9****système de prise de terre**

partie de l'installation extérieure de SPF destinée à conduire et à dissiper le courant de foudre à la terre

**3.10****électrode de terre**

élément ou ensemble d'éléments de la prise de terre assurant un contact électrique direct avec la terre et dissipant le courant de foudre dans cette dernière

**3.11****prise de terre en boucle**

électrode de terre formant une boucle fermée autour de la structure, au-dessous ou sur la surface du sol

**3.12****prise de terre à fond de fouille**

partie conductrice incorporée dans le sol sous les fondations d'un bâtiment ou, de préférence dans le béton des fondations d'un bâtiment, généralement en forme de boucle

[CEI 60050-826:2004, 826-13-08] <sup>[3]</sup>

**3.13****résistance conventionnelle de terre**

rapport entre les valeurs de crête de la tension et du courant dans la prise de terre qui, en général, ne se produisent pas en même temps

**3.14****potentiel de la prise de terre**

différence de potentiel entre la prise de terre et la terre lointaine

### 3.15

#### **composant naturel du SPF**

composant conducteur non installé spécifiquement pour la protection contre la foudre, mais pouvant être utilisé en complément à la mise en œuvre du SPF ou pouvant dans certains cas remplir la fonction d'une ou de plusieurs parties du SPF

NOTE Des exemples d'utilisation de ce terme incluent:

- des capteurs naturels;
- des descentes naturelles;
- des électrodes de terre naturelles.

### 3.16

#### **composant de connexion**

partie d'un SPF utilisée pour l'interconnexion des conducteurs ou pour la connexion aux installations métalliques

NOTE Ceci comprend également les composants de pont et les pièces de dilatation.

### 3.17

#### **composant de fixation**

partie d'un SPF utilisée pour la fixation des éléments du SPF à la structure à protéger

### 3.18

#### **installations métalliques**

éléments métalliques étendus qui sont présents dans la structure à protéger, pouvant écouler une partie du courant de foudre tels que canalisations, cages d'escaliers, guides d'ascenseur, conduits de ventilation, de chauffage et d'air conditionné, armatures d'acier interconnectées, parties de structures métalliques

### 3.19

#### **parties conductrices extérieures**

éléments métalliques étendus pénétrant dans ou quittant la structure à protéger telles que canalisations, écrans de câbles métalliques, conduits métalliques, etc. pouvant écouler une partie du courant de foudre

### 3.20

#### **réseau de puissance**

réseau comprenant des composants de l'alimentation de puissance basse tension

### 3.21

#### **réseau de communication**

réseau comprenant des composants électroniques sensibles tel que matériels de communication, systèmes d'ordinateurs, de commande et d'instrumentation, systèmes radio et installations d'électronique de puissance

### 3.22

#### **réseaux internes**

réseaux de puissance et de communication à l'intérieur d'une structure

### 3.23

#### **liaison équipotentielle de foudre**

EB (*lightning equipotential bonding*)

interconnexion du SPF aux parties conductrices séparées d'une installation par des connexions directes ou par des parafoudres, réduisant les différences de potentiel engendrées par le courant de foudre

**3.24****barre d'équipotentialité**

barre métallique sur laquelle les installations métalliques, les parties conductrices extérieures, les masses, les lignes de puissance et de communication et d'autres câbles peuvent être reliés à un SPF

**3.25****conducteur d'équipotentialité**

conducteur de connexion de parties conductrices séparées au SPF

**3.26****armature d'acier interconnectée**

armature d'acier à l'intérieur d'une structure en béton, considérée comme assurant une continuité électrique

**3.27****étincelle dangereuse**

décharge électrique engendrée par la foudre qui provoque des dommages physiques à l'intérieur de la structure à protéger

**3.28****distance de séparation**

distance entre deux parties conductrices telle qu'aucune étincelle dangereuse ne puisse apparaître

**3.29****parafoudre**

SPD (*surge protective device*)

dispositif conçu pour limiter les surtensions transitoires et évacuer les courants de choc; il comporte au moins un composant non linéaire

**3.30****borne d'essai**

dispositif conçu de manière à faciliter les essais et mesures électriques des composants du système de protection contre la foudre

**3.31****classe du système de protection contre la foudre**

chiffre caractérisant la classification d'un SPF conformément au niveau de protection contre la foudre pour lequel il est conçu

**3.32****concepteur de protection contre la foudre**

spécialiste compétent et formé pour la conception du SPF

**3.33****installateur de protection contre la foudre**

personne compétente et qualifiée pour l'installation du SPF

**3.34****structures avec risque d'explosion**

structures contenant des matériaux solides explosifs ou des zones dangereuses comme cela est déterminé conformément à la CEI 60079-10-1 et à la CEI 60079-10-2

### 3.35

#### **éclateur d'isolement**

ISG (*isolating spark gap*)

composant avec distance de décharge pour isoler des parties électriquement conductrices d'installation

NOTE En cas d'impact de foudre, les parties d'installation font l'objet d'une connexion conductrice temporaire en réponse à la décharge.

### 3.36

#### **interfaces d'isolement**

dispositifs capables de réduire les chocs conduits sur les services pénétrant dans la ZPF

NOTE 1 Ces dispositifs comprennent des transformateurs d'isolement à écran mis à la terre entre les enroulements, les câbles à fibre optique non métalliques et les opto-isolateurs.

NOTE 2 Les caractéristiques de tenue d'isolement de ces dispositifs sont appropriées à la présente application de par leur nature intrinsèque ou par l'intermédiaire d'un parafoudre.

## 4 Système de protection contre la foudre (SPF)

### 4.1 Classe de SPF

Les caractéristiques d'un SPF sont déterminées par les caractéristiques de la structure à protéger et par le niveau de protection contre la foudre considéré.

Quatre classes de SPF (I à IV), tel qu'indiqué dans le Tableau 1, sont définies dans la présente norme correspondant aux niveaux de protection contre la foudre définis dans la CEI 62305-1.

**Tableau 1 – Relation entre les niveaux de protection contre la foudre (NPF) et la classe de SPF (voir CEI 62305-1)**

NPF	Classe de SPF
I	I
II	II
III	III
IV	IV

Chaque classe de SPF est caractérisée par:

- a) Les données dépendant de la classe de SPF:
  - les paramètres de la foudre (voir Tableaux 3 et 4 de la CEI 62305-1:2010);
  - le rayon de la sphère fictive, la taille des mailles et l'angle de protection (voir 5.2.2);
  - les distances préférables typiques entre les conducteurs de descente (voir 5.3.3);
  - la distance de séparation pour éviter les étincelles dangereuses (voir 6.3);
  - la longueur minimale des électrodes de terre (voir 5.4.2).
- b) Les facteurs qui ne dépendent pas de la classe de SPF:
  - les liaisons équipotentielles de foudre (voir 6.2);
  - l'épaisseur minimale des tôles ou des canalisations métalliques des dispositifs de capture (voir 5.2.5);
  - les matériaux et les conditions d'utilisation des SPF (voir 5.5.1);
  - les matériaux, configurations et dimensions minimales des dispositifs de capture, des conducteurs de descente et des prises de terre (voir 5.6);
  - les dimensions minimales des conducteurs de connexion (voir 6.2.2).

Les performances de chaque classe de SPF sont données dans l'Annexe B de la CEI 62305-2:2010.

La classe du SPF prescrit doit être choisie selon la méthode d'évaluation des risques (voir la CEI 62305-2).

#### **4.2 Conception du SPF**

Une conception optimale technique et économique d'un système de protection contre la foudre n'est possible que si les stades de sa conception et de sa construction sont corrélés avec ceux de la conception et de la construction de la structure à protéger. En particulier, il convient que la conception de la structure proprement dite utilise les parties métalliques de cette dernière comme parties du système de protection contre la foudre.

La conception de la classe de SPF et son emplacement pour des structures existantes doivent prendre en compte les contraintes de la situation présente.

La documentation de conception du SPF doit comprendre toutes les informations nécessaires pour assurer une installation complète et correcte. Pour des informations détaillées, voir l'Annexe E.

Il convient que la conception et l'installation du SPF soient réalisées par des concepteurs et des installateurs de SPF parfaitement formés et spécialisés (voir E.4.2).

#### **4.3 Continuité des armatures d'acier dans des structures en béton armé**

Les armatures d'acier de structures en béton armé sont considérées comme électriquement continues à condition que la majorité des barres verticales et horizontales d'interconnexion soient soudées ou liées de manière sûre. Les connexions des barres verticales doivent être soudées, fixées ou superposées avec un chevauchement minimal de 20 fois leurs diamètres, ou liées ou connectées de manière sûre (voir Figure E.5). Pour les structures nouvelles, les connexions entre les armatures doivent être spécifiées par le concepteur ou l'installateur en coopération avec le constructeur et l'ingénieur du génie civil.

Pour les structures utilisant du béton armé ferrailé (y compris les structures en béton armé préfabriqué et précontraint), la continuité électrique des barres d'armature doit être déterminée par mesure électrique entre la partie haute et la terre. Il convient que la valeur de la résistance électrique totale ne soit pas supérieure à 0,2  $\Omega$ , valeur mesurée à l'aide d'un appareil d'essai approprié à cette fin. Si cette valeur n'est pas obtenue, ou si la pratique ne permet pas d'effectuer ces essais, l'armature d'acier ne doit pas être utilisée comme conducteur de descente naturel, comme spécifié en 5.3.5. Dans ce cas, il est recommandé d'installer un conducteur de descente extérieur. Dans le cas de structures en béton armé préfabriqué, la continuité électrique de l'armature d'acier doit être réalisée entre chaque structure en béton préfabriqué adjacente.

NOTE 1 Pour des informations complémentaires relatives à la continuité des armatures d'acier de structures en béton armé, voir l'Annexe E.

NOTE 2 Dans plusieurs pays, l'utilisation du béton armé comme partie du SPF n'est pas admise.

NOTE 3 Il convient que les fixations nécessaires à la réalisation de la continuité des armatures d'acier en béton armé soient conformes à la CEI 62561-1.

## **5 Installation extérieure de système de protection contre la foudre**

### **5.1 Généralités**

#### **5.1.1 Application d'une installation extérieure de système de protection contre la foudre**

L'installation extérieure de système de protection contre la foudre est destinée à intercepter les coups de foudre directs sur la structure, y compris les coups de foudre latéraux, à conduire le courant de foudre entre le point d'impact et la terre. Elle est également destinée à disperser ce courant dans la terre sans provoquer de dommages thermiques ou mécaniques, ni d'étincelles dangereuses pouvant entraîner des incendies ou des explosions.

#### **5.1.2 Choix de l'installation extérieure de système de protection contre la foudre**

Dans la plupart des cas, l'installation extérieure de système de protection contre la foudre peut être fixée sur la structure à protéger.

Il convient de considérer l'utilisation d'une installation extérieure de système de protection contre la foudre isolée lorsque les effets thermiques et explosifs au point d'impact ou sur les conducteurs évacuant le courant de foudre, peuvent entraîner des dommages sur la structure ou son contenu (voir Annexe E). Des exemples typiques incluent des structures avec un revêtement combustible, des structures avec des parois combustibles et des zones à risque d'explosion et d'incendie.

NOTE L'utilisation d'une installation extérieure de système de protection contre la foudre isolée peut être appropriée dans le cas de modifications prévues de la structure, de son contenu ou de son utilisation nécessitant des modifications du SPF.

Une installation extérieure de système de protection contre la foudre isolée peut également être considérée lorsque la sensibilité du contenu garantit la réduction du champ électromagnétique rayonné associé au courant de foudre s'écoulant dans le conducteur de descente.

#### **5.1.3 Utilisation des composants naturels**

Les composants naturels en matériaux conducteurs qui resteront toujours dans ou sur la structure et qui ne seront pas modifiés (par exemple, armatures d'acier interconnectées, structures métalliques, etc.) peuvent être utilisés comme parties d'un SPF.

Les autres composants naturels peuvent être considérés uniquement comme des compléments à un SPF.

NOTE Pour des informations complémentaires, voir l'Annexe E.

### **5.2 Dispositifs de capture**

#### **5.2.1 Généralités**

La probabilité de pénétration d'un courant de foudre dans la structure est considérablement réduite par la présence d'un dispositif de capture convenablement conçu.

Les dispositifs de capture peuvent être constitués par une combinaison quelconque des composants suivants:

- a) tiges simples (y compris les mâts séparés);
- b) fils tendus;
- c) conducteurs maillés.

Pour se conformer à la présente norme, tous les types de dispositifs de capture doivent être positionnés conformément à 5.2.2, 5.2.3 et à l'Annexe A. Tous les types de dispositifs de capture doivent satisfaire entièrement à la présente norme.

Pour tous les types de dispositifs de capture, seules les dimensions physiques réelles des dispositifs de capture métalliques doivent être utilisées pour la détermination du volume protégé.

Il convient de connecter les tiges individuelles de capture au niveau du toit afin d'assurer le partage du courant.

Les dispositifs de capture radioactifs ne sont pas admis.

### 5.2.2 Emplacement

Les composants des dispositifs de capture installés sur une structure doivent être situés aux coins, aux points exposés et sur les arêtes (particulièrement aux points hauts de toutes façades) conformément à l'une ou à plusieurs des méthodes suivantes.

Des méthodes acceptables de détermination de l'emplacement du dispositif de capture incluent:

- la méthode de l'angle de protection;
- la méthode de la sphère fictive;
- la méthode des mailles.

La méthode de la sphère fictive est appropriée dans tous les cas.

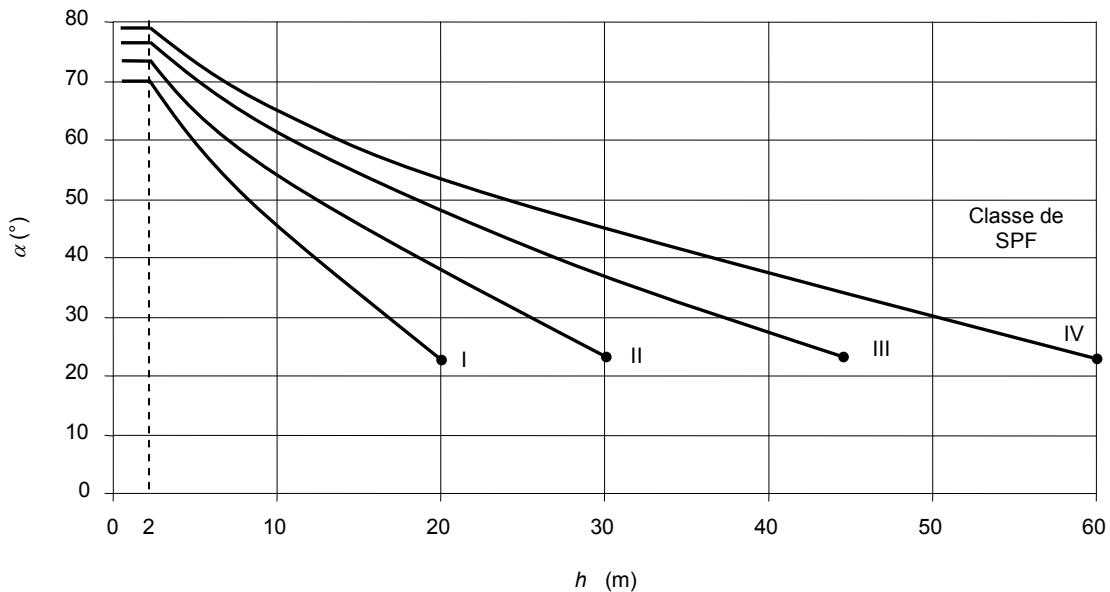
La méthode de l'angle de protection est appropriée pour les bâtiments à forme simple, mais elle est soumise aux limites de hauteur de dispositifs de capture indiquées dans le Tableau 2.

Lorsque des surfaces planes doivent être protégées, la méthode des mailles constitue une forme appropriée de protection.

Les valeurs de l'angle de protection, du rayon de la sphère fictive et des dimensions des mailles pour chaque classe de SPF sont données dans le Tableau 2 et à la Figure 1. Des informations détaillées pour l'emplacement du dispositif de capture sont données à l'Annexe A.

**Tableau 2 – Valeurs maximales du rayon de la sphère fictive, de la taille des mailles et de l'angle de protection correspondant à la classe de SPF**

Classe de SPF	Méthode de protection		
	Rayon de sphère fictive $r$ m	Dimension des mailles $w_m$ m	Angle de protection $\alpha^\circ$
I	20	5 × 5	Voir Figure 1 ci-dessous
II	30	10 × 10	
III	45	15 × 15	
IV	60	20 × 20	



IEC 2646/10

NOTE 1 Non applicable au-delà des valeurs marquées •. Seules les méthodes de la sphère fictive et des mailles sont applicables dans ces cas.

NOTE 2  $h$  est la hauteur du dispositif de capture au-dessus du plan de référence de la zone à protéger.

NOTE 3 L'angle ne changera pas pour des valeurs de  $h$  inférieures à 2 m.

**Figure 1 – Angle de protection correspondant à la classe de SPF**

### 5.2.3 Dispositifs de capture contre les coups de foudre latéraux sur les structures hautes

#### 5.2.3.1 Structures de hauteur inférieure à 60 m

La recherche indique que la probabilité de coups de foudre de faible amplitude frappant le côté vertical d'une structure d'une hauteur inférieure à 60 m est suffisamment faible pour qu'il ne soit pas nécessaire d'en tenir compte. Les toitures et les saillies horizontales doivent être protégées conformément à la classe de SPF déterminée par les calculs de risque définis dans la CEI 62305-2.

#### 5.2.3.2 Structures de hauteur égale ou supérieure à 60 m

Pour des structures de hauteur supérieure à 60 m, des éclairs peuvent frapper la partie latérale, notamment les points exposés, les coins et les arêtes des surfaces.

NOTE 1 Le risque lié à ces éclairs est généralement faible, en raison du faible pourcentage de coups de foudre latéraux sur l'ensemble des impacts sur des structures élevées, les paramètres des coups de foudre étant beaucoup plus faibles que ceux des éclairs frappant le sommet des structures. Toutefois, les matériels électriques et électroniques installés sur les parois à l'extérieur des structures peuvent être détruits même avec des coups de foudre ayant de faibles valeurs de crête de courant.

Un dispositif de capture doit être installé pour la protection de la partie supérieure de structures élevées (c'est-à-dire typiquement pour les 20 % supérieurs de la hauteur de la structure lorsque cette partie a une hauteur supérieure à 60 m) et des matériels installés en partie haute (voir Annexe A).

Les règles relatives à l'emplacement des dispositifs de capture sur les parties supérieures d'une structure doivent satisfaire au moins aux exigences applicables au NPF IV en soulignant l'importance de l'emplacement de ces dispositifs aux coins, arêtes et saillies importantes (telles que balcons, plates-formes d'observation, etc.).



L'exigence relative aux dispositifs de capture applicable à la partie latérale d'une structure élevée peut être satisfaite par la présence de matériaux métalliques extérieurs tels qu'un revêtement métallique ou des murs rideaux métalliques, à condition qu'ils satisfassent aux exigences de taille minimales données dans le Tableau 3. L'exigence relative aux dispositifs de capture peut également inclure l'utilisation de conducteurs de descente extérieurs situés sur les arêtes verticales de la structure lorsque cela n'est pas prévu par les conducteurs métalliques extérieurs naturels.

Les dispositifs de capture installés ou naturels qui satisfont à ces exigences peuvent utiliser les conducteurs de descente installés ou être connectés, par une liaison appropriée, à des conducteurs de descente naturels tels que l'armature d'acier de la structure ou la partie métallique du béton armé présentant une continuité électrique conforme aux exigences de 5.3.5.

NOTE 2 L'utilisation d'un dispositif de capture et de conducteurs de descente naturels adaptés est encouragée.

#### 5.2.4 Mise en œuvre

Les dispositifs de capture d'un SPF non isolé de la structure à protéger peuvent être installés comme suit:

- si la toiture est en matériau non combustible, les conducteurs de capture peuvent être installés sur la surface de la toiture;
- si la toiture est en matériau facilement combustible, une attention toute particulière doit être accordée à la distance entre les conducteurs de capture et le matériau. Pour des toits en chaume ne comportant aucune barre en acier pour le montage du peigne, une distance d'au moins 0,15 m est appropriée. Pour d'autres matériaux combustibles, une distance non inférieure à 0,10 m est considérée comme appropriée;
- des parties facilement combustibles de la structure à protéger ne doivent pas rester en contact direct avec les composants d'une installation extérieure de système de protection contre la foudre et ne doivent pas rester directement sous une membrane métallique pouvant être percée par un coup de foudre (voir 5.2.5).

Il doit être également tenu compte des membranes moins combustibles telles que des feuillures en bois.

NOTE S'il est probable que de l'eau puisse s'accumuler sur une toiture plate, il convient d'installer les dispositifs de capture au-dessus de la hauteur d'eau maximale probable.

#### 5.2.5 Composants naturels

Il convient de considérer les parties suivantes d'une structure comme dispositifs de capture naturels et comme partie intégrante d'un SPF conformément à 5.1.3.

- a) Les tôles métalliques recouvrant la structure à protéger, à condition que
- la continuité électrique entre les différentes parties soit réalisée de façon durable (par exemple, par brasage, soudage, sertissage, vissage ou boulonnage),
  - l'épaisseur des tôles métalliques ne soit pas inférieure à la valeur  $t'$  figurant dans le Tableau 3, si la prévention de toute perforation des tôles ou la prise en compte de l'inflammation de tous matériaux facilement combustibles placés dessous ne constitue pas un facteur important,
  - l'épaisseur des tôles métalliques ne soit pas inférieure à la valeur  $t$  figurant dans le Tableau 3, si des mesures de prévention contre les perforations ou la prise en considération des problèmes de points chauds se révèlent nécessaires,

NOTE 1 Lorsque des problèmes de points chauds ou d'inflammation peuvent survenir, il convient de vérifier que l'élévation de température de la surface intérieure au point d'impact ne constitue pas un danger. Les problèmes de points chauds ou d'inflammation peuvent être ignorés lorsque les tôles métalliques se trouvent à l'intérieur d'une ZPF0<sub>B</sub> ou de classe supérieure.

- elles ne soient pas revêtues de matériau isolant.

**Tableau 3 – Epaisseur minimale des tôles ou canalisations métalliques des dispositifs de capture**

Classe de SPF	Matériau	Epaisseur <sup>a</sup> <i>t</i> mm	Epaisseur <sup>b</sup> <i>t'</i> mm
I à IV	Plomb	–	2,0
	Acier (inoxydable, galvanisé)	4	0,5
	Titane	4	0,5
	Cuivre	5	0,5
	Aluminium	7	0,65
	Zinc	–	0,7
<sup>a</sup> <i>t</i> prévient toute perforation. <sup>b</sup> <i>t'</i> uniquement pour les tôles métalliques s'il n'est pas important de prévenir les problèmes de perforation, de points chauds ou d'inflammation.			

- b) Les composants métalliques de toiture (fermes, armatures d'acier interconnectées, etc.) recouverts de matériaux non métalliques, à condition que tout dommage à ces derniers soit acceptable.
- c) Les parties métalliques telles que décorations, gouttières, canalisations, rambardes, etc. dont la section n'est pas inférieure à celle qui est spécifiée pour les composants normaux de dispositifs de capture.
- d) Les canalisations et réservoirs métalliques sur la toiture, à condition que l'épaisseur et la section de leur matériau de construction soient conformes au Tableau 6.
- e) Les canalisations et réservoirs métalliques de mélanges facilement combustibles ou explosifs, à condition qu'ils soient réalisés en un matériau d'épaisseur non inférieure à la valeur appropriée de *t* figurant dans le Tableau 3, et que l'élévation de température de la surface intérieure au point d'impact ne constitue pas un danger (pour des informations détaillées, voir l'Annexe D).

Si les conditions d'épaisseur ne sont pas satisfaites, les canalisations et réservoirs doivent être intégrés dans la structure à protéger.

Les canalisations écoulant des mélanges facilement combustibles ou explosifs ne doivent pas être considérées comme un composant naturel des dispositifs de capture si le joint des brides n'est pas métallique ou si les brides ne sont pas connectées entre elles de façon appropriée.

NOTE 2 Une légère couche de peinture protectrice ou environ 1 mm d'asphalte ou 0,5 mm de PVC n'est pas considérée comme une isolation. Des informations détaillées sont données en E.5.3.4.1 et E.5.3.4.2.

### 5.3 Conducteurs de descente

#### 5.3.1 Généralités

Pour réduire la probabilité de dommages dus à la circulation du courant de foudre dans le SPF, les conducteurs de descente doivent être disposés de manière que, entre le point d'impact et la terre:

- a) le courant suive plusieurs trajets en parallèle;
- b) la longueur de ces trajets soit réduite au minimum;
- c) une liaison équipotentielle entre les parties conductrices de la structure soit réalisée conformément aux exigences de 6.2.

NOTE 1 La connexion latérale des conducteurs de descente est considérée comme une bonne pratique.

La géométrie des conducteurs de descente et de ceinturage affecte la distance de séparation (voir 6.3).

NOTE 2 L'installation du plus grand nombre possible de conducteurs de descente, à intervalles égaux autour du périmètre, interconnectés par des conducteurs de ceinturage, réduit la probabilité d'étincelles dangereuses et facilite la protection des installations internes (voir CEI 62305-4). Cette condition est satisfaite dans les structures d'armature métalliques et en béton armé pour lesquelles l'interconnexion en acier assure une continuité électrique.

Des valeurs typiques de la distance préférentielle entre les conducteurs de descente sont données dans le Tableau 4.

Des informations complémentaires sur le partage du courant de foudre entre les conducteurs de descente sont données à l'Annexe C.

### 5.3.2 Emplacement d'un SPF isolé

L'emplacement doit être le suivant:

- a) Si le dispositif de capture est constitué de tiges sur des mâts séparés (ou un seul mât) non constituées de métal ou ne comportant pas une armature d'acier interconnectée, au moins un conducteur de descente est nécessaire pour chaque mât. Aucun conducteur de descente supplémentaire n'est nécessaire pour les mâts en métal ou comportant une armature d'acier interconnectée.

NOTE Dans plusieurs pays, l'utilisation du béton armé comme partie du SPF n'est pas admise.

- b) Si le dispositif de capture est constitué de fils tendus (ou d'un seul fil), au moins un conducteur de descente est nécessaire à chaque extrémité de fil porteur.
- c) Si le dispositif de capture constitue un réseau de conducteurs, au moins un conducteur de descente est nécessaire à chaque extrémité de fil porteur.

### 5.3.3 Emplacement d'un SPF non isolé

Pour chaque SPF non isolé, le nombre de conducteurs de descente ne doit pas être inférieur à deux. Il convient de les répartir autour du périmètre de la structure à protéger, en fonction des contraintes architecturales et pratiques.

Des distances égales entre les conducteurs de descente autour du périmètre sont préférables. Des valeurs typiques de la distance entre les conducteurs de descente sont données dans le Tableau 4.

NOTE La valeur de la distance entre les conducteurs de descente est corrélée avec la distance de séparation donnée en 6.3.

**Tableau 4 – Valeurs typiques préférables de la distance entre les conducteurs de descente selon la classe de SPF**

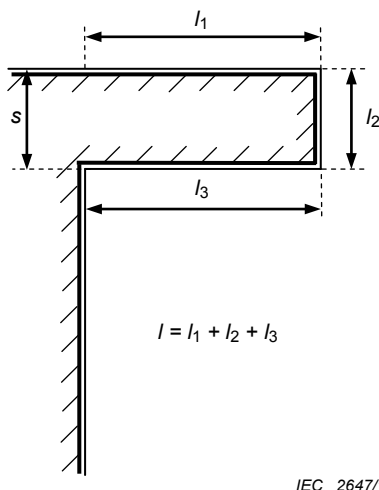
Classe de SPF	Distances typiques m
I	10
II	10
III	15
IV	20

Il convient d'installer, dans toute la mesure du possible, un conducteur de descente à chaque angle exposé de la structure.

### 5.3.4 Mise en œuvre

Les conducteurs de descente doivent être disposés de manière à être, dans la mesure où la pratique le permet, en continuité directe avec les conducteurs de capture.

Les conducteurs de descente doivent être installés de façon rectiligne et verticale, de manière à produire le trajet le plus court et le plus direct possible à la terre. La formation de boucles doit être évitée. Si cela s'avère impossible, la distance,  $s$ , mesurée directement entre deux points du conducteur et la longueur,  $l$ , du conducteur entre ces deux points (voir Figure 2) doivent être conformes à 6.3.



**Figure 2 – Boucle d'un conducteur de descente**

Les conducteurs de descente, même s'ils sont recouverts de matériau isolant, ne doivent pas être installés dans les gouttières ou les tuyaux de descente.

NOTE Les effets de l'humidité dans les gouttières provoquent une forte corrosion du conducteur de descente.

Il est recommandé de placer les conducteurs de descente de manière à respecter une distance de séparation conforme à 6.3 entre ceux-ci et les portes et fenêtres éventuelles.

Les conducteurs de descente d'un SPF non isolé de la structure à protéger peuvent être installés de la manière suivante:

- si le mur est réalisé en matériau non combustible, les conducteurs de descente peuvent être positionnés sur la surface ou dans le mur;
- si le mur est réalisé en matériau facilement combustible, les conducteurs de descente peuvent être positionnés directement sur la surface du mur, à condition que leur élévation de température due à l'écoulement du courant de foudre ne soit pas dangereuse pour le matériau du mur;
- si le mur est réalisé en matériau facilement combustible et si l'élévation de température des conducteurs de descente est dangereuse, ils doivent être placés de manière que la distance entre eux et le mur soit toujours supérieure à 0,1 m. Des crochets de fixation peuvent être en contact avec le mur.

Lorsque la distance entre un conducteur de descente et un matériau combustible ne peut être respectée, la section du conducteur en acier ou d'un conducteur de capacité thermique équivalente ne doit pas être inférieure à 100 mm<sup>2</sup>.

### 5.3.5 Composants naturels

Les éléments suivants de la structure peuvent être considérés comme des conducteurs de descente naturels:

- a) les installations métalliques, à condition que
  - la continuité électrique entre les différents éléments soit réalisée de façon durable, conformément à 5.5.3,

- leurs dimensions soient au moins égales à celles qui sont spécifiées pour les conducteurs de descente normaux dans le Tableau 6.

Les canalisations transportant des mélanges facilement combustibles ou explosifs ne doivent pas être considérées comme des composants naturels de conducteur de descente si le joint entre brides n'est pas métallique ou si les brides ne sont pas connectées entre elles de façon appropriée.

NOTE 1 Les installations métalliques peuvent être revêtues de matériau isolant.

- b) la partie métallique de l'armature d'acier en béton armé de la structure, présentant une continuité électrique;

NOTE 2 Pour des éléments préfabriqués en béton armé, il est important de réaliser des points d'interconnexion entre les éléments de renforcement. Il est également essentiel que le béton armé intègre une liaison conductrice entre les points d'interconnexion. Il convient de connecter les parties individuelles « in situ » lors de l'assemblage (voir Annexe E).

NOTE 3 Dans le cas du béton précontraint, il convient de veiller au risque d'effets mécaniques inadmissibles dus au courant de foudre ou au raccordement au système de protection contre la foudre.

- c) l'armature d'acier interconnectée de la structure;

NOTE 4 Les conducteurs de ceinturage ne sont pas nécessaires si l'armature métallique des structures en acier ou si l'armature d'acier interconnectée de la structure est utilisée comme conducteurs de descente.

- d) les éléments de façade, profilés et supports des façades métalliques, à condition que
- leurs dimensions soient conformes aux exigences relatives aux conducteurs de descente (voir 5.6.2) et que l'épaisseur des tôles ou des canalisations métalliques ne soit pas inférieure à 0,5 mm,
  - leur continuité électrique dans le sens vertical soit conforme aux exigences de 5.5.3.

NOTE 5 Pour des informations complémentaires, voir l'Annexe E.

### 5.3.6 Bornes d'essai

Lors de la connexion de la prise de terre, il convient d'équiper chaque conducteur de descente d'une borne d'essai à l'exception des conducteurs de descente naturels liés à des prises de terre à fond de fouille.

La borne doit pouvoir être démontée à l'aide d'un outil, à des fins de mesure. Elle doit toutefois rester fermée en utilisation normale.

## 5.4 Réseau de prise de terre

### 5.4.1 Généralités

Afin d'assurer l'écoulement du courant de foudre dans la terre (comportement à haute fréquence) tout en minimisant des surtensions potentiellement dangereuses, la forme et les dimensions du réseau de prises de terre constituent les critères importants. Généralement, une faible résistance de terre (si possible inférieure à 10  $\Omega$  lors d'une mesure à basse fréquence) est recommandée.

Du point de vue de la protection contre la foudre, un réseau de prises de terre unique et intégré à la structure est préférable et assure une protection complète (c'est-à-dire protection contre la foudre, protection des réseaux de puissance et de communication).

Les réseaux de prises de terre doivent être interconnectés conformément aux exigences de 6.2.

NOTE 1 Les conditions de séparation et de liaison d'autres réseaux de prises de terre sont habituellement déterminées par les services nationaux compétents.

NOTE 2 De sérieux problèmes de corrosion peuvent apparaître lorsque des réseaux de prises de terre constitués de matériaux différents sont connectés entre eux.

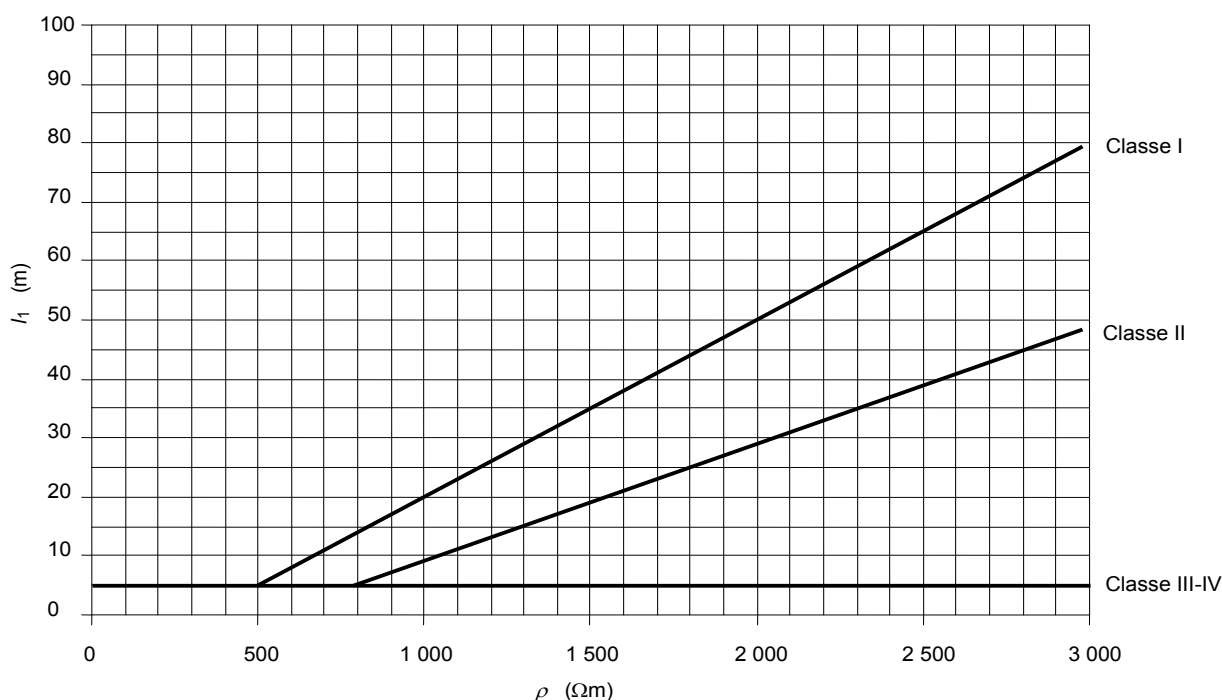
### 5.4.2 Dispositions de prise de terre dans les conditions générales

Pour les réseaux de prises de terre, deux types de base de dispositions de prise de terre s'appliquent.

#### 5.4.2.1 Disposition de type A

Ce type de disposition comporte des électrodes de terre radiales ou verticales, installées à l'extérieur de la structure à protéger, connectées à chaque conducteur de descente ou à chaque prise de terre à fond de fouille ne formant pas une boucle fermée.

Pour les dispositions de type A, le nombre total d'électrodes de terre doit être au moins de deux.



IEC 2648/10

NOTE Les classes III et IV sont indépendantes de la résistivité du sol.

**Figure 3 – Longueur minimale  $l_1$  de chaque électrode de terre selon la classe de SPF**

La longueur minimale de chaque électrode de terre à la base de chaque conducteur de descente est

- $l_1$  pour les électrodes radiales, ou
- $0,5 l_1$  pour les électrodes verticales (ou inclinées),

où  $l_1$  est la longueur minimale des électrodes radiales indiquée dans la partie correspondante de la Figure 3.

Pour les électrodes combinées (verticales ou radiales), la longueur totale doit être prise en compte.

Les longueurs minimales telles qu'indiquées à la Figure 3 peuvent ne pas être considérées, à condition qu'une prise de terre de résistance inférieure à 10 Ω soit réalisée (mesurée à une

fréquence différente de la fréquence industrielle et de son multiple afin d'éviter des interférences).

NOTE 1 Lorsque les exigences susmentionnées ne peuvent être satisfaites, une disposition de prise de terre de type B doit être utilisée.

NOTE 2 Une réduction de la résistance de terre par l'extension des électrodes de terre peut être réalisée jusqu'à une longueur de 60 m. L'utilisation d'électrodes de terre de type B ou de composés facilitant la résistance de terre est recommandée dans les sols dont la résistivité est supérieure à 3 000  $\Omega\text{m}$ .

NOTE 3 Pour des informations complémentaires, voir l'Annexe E.

#### 5.4.2.2 Disposition de type B

Ce type de disposition comporte, soit un conducteur de ceinturage extérieur à la structure à protéger, en contact avec le sol sur au moins 80 % de sa longueur totale, soit une prise de terre à fond de fouille formant une boucle fermée. Ces électrodes de terre peuvent également être maillées.

NOTE Bien que 20 % de sa surface puissent ne pas être en contact avec le sol, le conducteur de ceinturage doit toujours être entièrement connecté sur toute sa longueur.

Pour la prise de terre en boucle (ou une prise de terre à fond de fouille), le rayon géométrique moyen  $r_e$  de la surface délimitée par ladite prise (ou la prise de terre à fond de fouille) ne doit pas être inférieur à la valeur de  $l_1$ :

$$r_e \geq l_1 \quad (1)$$

où  $l_1$  est représentée à la Figure 3 selon les classes I, II, III et IV de SPF.

Lorsque la valeur prescrite de  $l_1$  est supérieure à la valeur appropriée de  $r_e$ , des électrodes radiales ou verticales (ou inclinées) supplémentaires doivent être ajoutées, les longueurs individuelles  $l_r$  (horizontales) et  $l_v$  (verticales) étant obtenues à l'aide des formules suivantes:

$$l_r = l_1 - r_e \quad (2)$$

et 
$$l_v = (l_1 - r_e) / 2 \quad (3)$$

Il est recommandé que le nombre d'électrodes ne soit pas inférieur au nombre de conducteurs de descente, avec un minimum de deux.

Il convient de connecter les électrodes complémentaires à la prise de terre en boucle au niveau des conducteurs de descente et, dans toute la mesure du possible, de manière équidistante.

#### 5.4.3 Installation des électrodes de terre

Il convient que la prise de terre en boucle (disposition de type B) soit, de préférence, enterrée à au moins 0,5 m de profondeur et à environ 1 m des murs extérieurs.

Les électrodes de terre (disposition de type A) doivent être installées à au moins 0,5 m de profondeur et réparties aussi uniformément que possible, de manière à réduire au minimum les effets de couplage électrique dans le sol.

NOTE 1 Si l'électrode de terre de type A est positionnée dans une enveloppe de contrôle elle-même située à l'intérieur d'un revêtement à haute résistance ou dans du béton contigu, l'exigence d'une distance de 0,5 m peut alors ne pas être prise en compte.

Les électrodes de terre doivent être installées de façon à permettre une inspection pendant la construction.

La profondeur d'enfouissement et le type des électrodes de terre doivent permettre de réduire au minimum les effets de la corrosion, de l'assèchement et du gel du sol, et de ce fait stabiliser la valeur de la résistance conventionnelle de terre. Il convient que la partie supérieure d'une électrode de terre verticale égale à la profondeur du sol gelé ne soit pas considérée comme efficace dans des conditions de gel.

NOTE 2 Ainsi, il convient d'ajouter une longueur de 0,5 m, pour toute électrode verticale, à la valeur de la longueur  $l_1$  calculée en 5.4.2.1 et en 5.4.2.2.

Dans la roche vive nue, une disposition de prise de terre de type B est recommandée.

Pour des structures avec réseaux de communication extensifs ou à risque d'incendie élevé, une disposition de prise de terre de type B est préférable.

#### 5.4.4 Electrodes de terre naturelles

Il convient de préférence d'utiliser les armatures d'acier interconnectées des fondations en béton conformément à 5.6, ou d'autres structures métalliques souterraines appropriées, comme électrode de terre. Lorsque l'armature métallique du béton est utilisée comme électrode de terre, un soin particulier doit être apporté aux interconnexions, pour éviter un éclatement mécanique du béton.

NOTE 1 Dans le cas du béton précontraint, il convient de prendre en considération les conséquences du passage des courants de décharge de foudre qui peuvent produire des contraintes mécaniques inadmissibles.

NOTE 2 En cas d'utilisation d'une prise de terre à fond de fouille, un renforcement de la résistance de terre à long terme est possible.

NOTE 3 Des informations plus détaillées sur ce sujet sont données dans l'Annexe E.

### 5.5 Composants

#### 5.5.1 Généralités

Les composants d'un SPF doivent résister aux effets électromagnétiques du courant de foudre et aux contraintes accidentelles prévisibles sans être endommagés. Ceci peut être réalisé en choisissant des composants ayant été soumis à essai avec succès conformément à la série future de la CEI 62561.

Les composants d'un SPF doivent être réalisés à partir de matériaux donnés dans le Tableau 5 ou d'autres matériaux équivalents présentant des caractéristiques de performances mécaniques, électriques et chimiques (corrosion) équivalentes.

NOTE Des composants non métalliques peuvent être utilisés pour les fixations.

**Tableau 5 – Matériaux des SPF et conditions d'utilisation <sup>a</sup>**

Matériau	Utilisation			Corrosion		
	Dans l'air ambiant	En terre	Dans le béton	Résistance	Renforcée par	Peut être supprimée par couplage galvanique avec
Cuivre	Massif Torsadé	Massif Torsadé Sous forme de revêtement	Massif Torsadé Sous forme de revêtement	Correcte dans de nombreux environnements	Composés sulfurés Matériaux organiques	–
Acier galvanisé à chaud <sup>c, d, e</sup>	Massif Torsadé <sup>b</sup>	Massif	Massif Torsadé <sup>b</sup>	Acceptable dans l'air, le béton et les sols simples	Teneur élevée en chlorures	Cuivre



Matériau	Utilisation			Corrosion		
	Dans l'air ambiant	En terre	Dans le béton	Résistance	Renforcée par	Peut être supprimée par couplage galvanique avec
Acier avec dépôt électrolytique de cuivre	Massif	Massif	Massif	Correcte dans de nombreux environnements	Composés sulfurés	
Acier inoxydable	Massif Torsadé	Massif Torsadé	Massif Torsadé	Correcte dans de nombreux environnements	Teneur élevée en chlorures	-
Aluminium	Massif Torsadé	Inapproprié	Inapproprié	Correcte dans des atmosphères contenant de faibles concentrations de soufre et de chlorure	Solutions alcalines	Cuivre
Plomb <sup>f</sup>	Massif Sous forme de revêtement	Massif Sous forme de revêtement	Inapproprié	Correcte dans des atmosphères contenant une forte concentration de sulfates	Sols acides	Cuivre Acier inoxydable
<p><sup>a</sup> Le présent tableau fournit uniquement des indications générales. Dans des circonstances particulières, des considérations sur l'immunité contre la corrosion plus attentives sont requises (voir Annexe E).</p> <p><sup>b</sup> Les conducteurs torsadés sont plus vulnérables à la corrosion que les conducteurs massifs. Les conducteurs torsadés sont également vulnérables lorsqu'ils entrent ou sortent du béton ou du sol. C'est la raison pour laquelle l'acier galvanisé torsadé n'est pas recommandé dans le sol.</p> <p><sup>c</sup> L'acier galvanisé peut être corrodé dans des sols argileux ou humides.</p> <p><sup>d</sup> Il convient que l'acier galvanisé dans le béton ne se prolonge pas dans le sol en raison de la corrosion possible de l'acier juste à l'extérieur du béton.</p> <p><sup>e</sup> Il convient de ne pas utiliser l'acier galvanisé en contact avec l'armature d'acier dans le béton dans les zones côtières où l'eau souterraine peut contenir du sel.</p> <p><sup>f</sup> L'utilisation de plomb dans le sol est souvent bannie ou limitée en raison des préoccupations d'environnement.</p>						

### 5.5.2 Fixations

Les dispositifs de capture et les conducteurs de descente doivent être solidement fixés, de manière à empêcher toute rupture ou tout desserrage des conducteurs (voir Annexe D de la CEI 62305-1:2010), du fait des forces électrodynamiques ou des efforts mécaniques accidentels (par exemple, vibrations, glissement de plaques de neige, expansion thermique, etc.).

NOTE Les distances recommandées entre les fixations sont indiquées dans le Tableau E.1.

### 5.5.3 Connexions

Le nombre des raccords le long des conducteurs doit être réduit au minimum. Les raccords doivent être fixés par des méthodes telles que brasage, soudage, serrage, sertissage, vissage ou boulonnage.

Pour y parvenir, les connexions des armatures métalliques dans des structures en béton armé doivent être conformes à 4.3 et doivent satisfaire aux exigences et essais définis dans la CEI 62561-1.

## 5.6 Matériaux et dimensions

### 5.6.1 Matériaux

Les matériaux et leurs dimensions doivent être choisis en tenant compte de la possibilité de corrosion de la structure à protéger ou du SPF.

### 5.6.2 Dimensions

Les configurations et les sections minimales des conducteurs de capture, des tiges et des conducteurs de descente sont données dans le Tableau 6. Elles doivent être conformes aux exigences et essais conformes à la future série de la CEI 62561.

Les configurations et les dimensions minimales des électrodes de terre sont données dans le Tableau 7. Elles doivent satisfaire aux exigences et essais conformes à la future série de la CEI 62561.

**Tableau 6 – Matériau, configuration et section minimale des conducteurs de capture, des tiges, des électrodes de terre guidées et des conducteurs de descente <sup>a</sup>**

Matériau	Configuration	Section mm <sup>2</sup>
Cuivre	Plaque pleine	50
	Rond plein <sup>b</sup>	50
Cuivre étamé	Torsadé <sup>b</sup>	50
	Rond plein <sup>c</sup>	176
Aluminium	Plaque pleine	70
	Rond plein	50
	Torsadé	50
Alliage d'aluminium	Plaque pleine	50
	Rond plein	50
	Torsadé	50
	Rond plein <sup>c</sup>	176
Alliage d'aluminium à revêtement en cuivre	Rond plein	50
Acier galvanisé à chaud	Plaque pleine	50
	Rond plein	50
	Torsadé	50
	Rond plein <sup>c</sup>	176
Acier à revêtement en cuivre	Rond plein	50
	Plaque pleine	50
Acier inoxydable	Plaque pleine <sup>d</sup>	50
	Rond plein <sup>d</sup>	50
	Torsadé	70
	Rond plein <sup>c</sup>	176

<sup>a</sup> Les caractéristiques mécaniques et électriques, ainsi que les propriétés de résistance à la corrosion doivent satisfaire aux exigences de la future série de la CEI 62561.

<sup>b</sup> 50 mm<sup>2</sup> (diamètre de 8 mm) peut être réduit à 25 mm<sup>2</sup> dans certaines applications où la résistance mécanique ne constitue pas une exigence essentielle. Il convient dans ce cas de prendre en considération la réduction de l'espacement entre les fixations.

<sup>c</sup> Applicable aux tiges et aux électrodes de terre guidées. Pour les tiges pour lesquelles la contrainte mécanique telle que la charge due au vent n'est pas critique, une tige d'un diamètre de 9,5 mm et d'une longueur de 1 m peut être utilisée.

<sup>d</sup> Si les considérations thermiques et mécaniques constituent des éléments importants, il convient alors de porter ces valeurs à 75 mm<sup>2</sup>.

**Tableau 7 – Matériau, configuration et dimensions minimales des électrodes de terre** <sup>a, e</sup>

Matériau	Configuration	Dimensions		
		Diamètre de la tige de terre mm	Conducteur de terre mm <sup>2</sup>	Plaque de terre mm
Cuivre Cuivre étamé	Torsadé		50	
	Rond plein	15	50	
	Plaque pleine		50	
	Canalisation	20		
	Plaque pleine			500 × 500
	Plaque en treillis <sup>c</sup>			600 × 600
Acier galvanisé à chaud	Rond plein	14	78	
	Canalisation	25		
	Plaque pleine		90	
	Plaque pleine			500 × 500
	Plaque en treillis <sup>c</sup>			600 × 600
	Profil	<sup>d</sup>		
Acier nu <sup>b</sup>	Torsadé		70	
	Rond plein		78	
	Plaque pleine		75	
Acier revêtu de cuivre	Rond plein	14 <sup>f</sup>	50	
	Plaque pleine		90	
Acier inoxydable	Rond plein	15 <sup>f</sup>	78	
	Plaque pleine		100	

<sup>a</sup> Les caractéristiques mécaniques et électriques, ainsi que les propriétés de résistance à la corrosion doivent satisfaire aux exigences de la future série de la CEI 62561.

<sup>b</sup> Doit être encastré dans le béton sur une profondeur minimale de 50 mm.

<sup>c</sup> Plaque en treillis avec une longueur totale minimale du conducteur de 4,8 m.

<sup>d</sup> Différents profils sont admis avec une section de 290 mm<sup>2</sup> et une épaisseur minimale de 3 mm, par exemple, profil transversal.

<sup>e</sup> Dans le cas d'un réseau de terre à fond de fouille à disposition de type B, l'électrode de terre doit être connectée de manière appropriée au moins tous les 5 m, à l'armature d'acier.

<sup>f</sup> Dans certains pays, le diamètre peut être réduit à 12,7 mm.

## 6 Installation intérieure de système de protection contre la foudre

### 6.1 Généralités

L'installation intérieure de système de protection contre la foudre doit empêcher l'apparition d'étincelles dangereuses dans la structure à protéger, dues à l'écoulement du courant de foudre dans l'installation extérieure de système de protection contre la foudre ou dans les autres parties conductrices de la structure.

Les étincelles dangereuses peuvent apparaître entre l'installation extérieure de système de protection contre la foudre et d'autres composants tels que:

- les installations métalliques;

- les réseaux internes;
- les parties conductrices extérieures et les lignes connectées à la structure.

NOTE 1 Une étincelle apparaissant dans la structure avec un danger d'explosion est toujours dangereuse. Dans ce cas, des mesures complémentaires de protection sont requises et sont à l'étude (voir Annexe D).

NOTE 2 Pour la protection contre les surtensions dans les réseaux internes, se reporter à la CEI 62305-4.

Les étincelles dangereuses entre les différents éléments peuvent être évitées à l'aide

- d'une liaison d'équipotentialité conformément à 6.2, ou
- d'une isolation électrique entre les éléments conformément à 6.3.

## 6.2 Liaison équipotentielle de foudre

### 6.2.1 Généralités

L'équipotentialité est réalisée par l'interconnexion du SPF avec

- des installations métalliques;
- des réseaux internes;
- les parties conductrices extérieures et les lignes connectées à la structure.

Lorsqu'une liaison équipotentielle de foudre est réalisée pour des réseaux internes, une partie du courant de foudre peut s'écouler à l'intérieur de ces réseaux et cet aspect doit être pris en compte.

Les moyens d'interconnexion peuvent être

- les conducteurs d'équipotentialité, lorsque la continuité électrique n'est pas assurée par liaison naturelle,
- les parafoudres, lorsque des connexions directes avec des conducteurs d'équipotentialité ne sont pas réalisables,
- les éclateurs d'isolement, lorsque des connexions directes avec les conducteurs d'équipotentialité ne sont pas admises.

La façon dont la liaison équipotentielle de foudre est réalisée est importante et doit être concertée avec l'opérateur du réseau de télécommunication, le distributeur du réseau de puissance et de canalisations de gaz, ainsi que d'autres opérateurs ou autorités concernés, du fait d'éventuelles exigences conflictuelles.

Les parafoudres doivent être installés de manière à pouvoir être inspectés.

NOTE 1 Lorsqu'un système de protection contre la foudre est installé, des armatures métalliques extérieures à la structure à protéger peuvent être affectées. Il convient d'en tenir compte dans la conception de ces systèmes. Une liaison équipotentielle de foudre pour les armatures métalliques extérieures peut également se révéler nécessaire.

NOTE 2 Il convient d'intégrer la liaison équipotentielle de foudre et de la coordonner avec toute autre liaison équipotentielle dans la structure.

### 6.2.2 Liaison équipotentielle de foudre pour les installations métalliques

Dans le cas d'une installation extérieure de système de protection contre la foudre isolée, une liaison équipotentielle de foudre doit être réalisée uniquement au niveau du sol.

Dans le cas d'une installation extérieure de système de protection contre la foudre non isolée, la liaison équipotentielle de foudre doit être réalisée dans les emplacements suivants:

- a) au sous-sol ou approximativement au niveau du sol. Des conducteurs d'équipotentialité doivent être reliés à une barre d'équipotentialité fabriquée et disposée de façon à

permettre un accès facile pour inspection. La barre d'équipotentialité doit être raccordée au réseau de prises de terre. Pour les structures de grandes dimensions (typiquement de longueur supérieure à 20 m), un ceinturage d'équipotentialité peut être utilisée ou plusieurs barres d'équipotentialité peuvent être installées, à condition qu'elles soient interconnectées;

b) lorsque les exigences d'isolement ne sont pas satisfaites (voir 6.3).

Les liaisons équipotentielle de foudre doivent être aussi directes et droites que possible.

NOTE Lorsque la liaison équipotentielle de foudre est reliée à des parties conductrices de la structure, une partie du courant de foudre peut s'écouler dans la structure et il convient de prendre en compte cet effet.

Les valeurs minimales de la section des conducteurs d'équipotentialité connectant différentes barres d'équipotentialité et des conducteurs connectant les barres au réseau de prises de terre sont données dans le Tableau 8.

Les valeurs minimales de la section des conducteurs d'équipotentialité connectant les installations métalliques internes aux barres d'équipotentialité sont données dans le Tableau 9.

**Tableau 8 – Dimensions minimales des conducteurs de connexion de différentes barres d'équipotentialité ou de connexion de ces mêmes barres au réseau de prises de terre**

Classe de SPF	Matériau	Section mm <sup>2</sup>
I à IV	Cuivre	16
	Aluminium	25
	Acier	50

**Tableau 9 – Dimensions minimales des conducteurs de connexion des installations métalliques internes à la barre d'équipotentialité**

Classe de SPF	Matériau	Section mm <sup>2</sup>
I à IV	Cuivre	6
	Aluminium	10
	Acier	16

Si des parties isolantes sont insérées sur des canalisations de gaz ou d'eau, à l'intérieur de la structure à protéger, elles doivent être shuntées par des éclateurs d'isolement conçus pour un tel fonctionnement, avec l'accord du distributeur d'eau et de gaz.

Les éclateurs d'isolement doivent être soumis à essai conformément à la CEI 62561-3 et doivent avoir les caractéristiques suivantes:

- $I_{IMP} \geq k_C I$  avec  $k_C I$  étant le courant de foudre s'écoulant dans la partie appropriée du SPF extérieur (voir Annexe C);
- tension assignée d'amorçage au choc  $U_{RIMP}$  inférieure au niveau de tenue aux chocs de l'isolation entre les éléments.

### 6.2.3 Liaison équipotentielle de foudre pour les parties conductrices extérieures

Pour les parties conductrices extérieures, la liaison équipotentielle de foudre doit être établie aussi près que possible du point de pénétration dans la structure à protéger.

Les conducteurs d'équipotentialité doivent être capables de supporter la partie  $I_F$  du courant de foudre s'écoulant à travers eux, évaluée conformément à l'Annexe E de la CEI 62305-1:2010.

Si une liaison directe n'est pas acceptable, les éclateurs d'isolement avec les caractéristiques suivantes doivent être utilisés.

Les éclateurs d'isolement doivent être soumis à essai conformément à la CEI 62561-3 et doivent présenter les caractéristiques suivantes:

- $I_{IMP} \geq I_F$  où  $I_F$  représente le courant de foudre s'écoulant dans la partie conductrice extérieure considérée (voir Annexe E de la CEI 62305-1:2010);
- tension assignée d'amorçage au choc  $U_{RIMP}$  inférieure au niveau de tenue aux chocs de l'isolation entre les éléments.

NOTE Lorsqu'une liaison équipotentielle est exigée, contrairement à un SPF qui ne l'est pas, la prise de terre de l'installation électrique basse tension peut être utilisée à cette fin. La CEI 62305-2 fournit des informations concernant les conditions dans lesquelles aucun SPF n'est requis.

#### 6.2.4 Liaison équipotentielle de foudre des réseaux internes

Il est essentiel de réaliser une liaison équipotentielle de foudre conformément à 6.2.2 a) et 6.2.2 b).

Si les conducteurs de réseaux internes sont blindés ou installés dans des conduits métalliques, il peut être suffisant de mettre à la terre uniquement ces écrans et ces conduits (voir Annexe B).

NOTE La mise à la terre des écrans et conduits peut ne pas prévenir les défaillances dues aux surtensions des matériels qui sont connectés aux conducteurs. Pour la protection de ces matériels, se reporter à la CEI 62305-4.

Si les conducteurs des réseaux internes ne sont ni blindés ni installés dans des conduits métalliques, ils doivent être mis à la terre par des parafoudres. Dans les schémas TN, les conducteurs PE et PEN doivent être reliés au SPF de manière directe ou par un parafoudre.

Les conducteurs d'équipotentialité doivent avoir les mêmes caractéristiques de résistance au courant que celles indiquées en 6.2.2 pour les éclateurs d'isolement.

Les parafoudres doivent être conformes aux CEI 61643-1 et 61643-21 et doivent avoir les caractéristiques suivantes:

- soumis à essai avec  $I_{IMP} \geq k_C I$ , où  $k_C I$  représente le courant de foudre s'écoulant dans la partie appropriée du SPF extérieur (voir Annexe C);
- le niveau de protection  $U_P$  doit être inférieur à la catégorie de tenue aux chocs de l'isolation entre éléments.

Si la protection des réseaux internes contre les tensions de choc est requise, un réseau de protection coordonnée par parafoudres conformément aux exigences de l'Article 7 de la CEI 62305-4:2010, doit être utilisé.

#### 6.2.5 Liaison équipotentielle de foudre des lignes connectées à la structure à protéger

La liaison équipotentielle de foudre pour les lignes de puissance et de communication doit être réalisée conformément à 6.2.3.

Il convient que tous les conducteurs de chaque ligne soient mis à la terre directement ou par l'intermédiaire d'un parafoudre. Les conducteurs actifs doivent être reliés à la barre d'équipotentialité uniquement par un parafoudre. Dans les schémas TN, les conducteurs PE

ou PEN doivent être reliés à la barre d'équipotentialité directement ou par l'intermédiaire d'un parafoudre.

Si les lignes sont blindées ou placées dans des conduits métalliques, ces écrans et conduits doivent être mis à la terre. Une liaison équipotentielle de foudre pour les conducteurs n'est pas nécessaire à condition que la section  $S_C$  de ces écrans ou conduits ne soit pas inférieure à la valeur minimale  $S_{C\text{MIN}}$  évaluée conformément à l'Annexe B.

La liaison équipotentielle de foudre des écrans de câbles ou des conduits doit être réalisée à proximité de leur point de pénétration dans la structure.

Les conducteurs d'équipotentialité et les parafoudres doivent avoir les mêmes caractéristiques de résistance au courant que celles indiquées en 6.2.3 pour les éclateurs.

Les parafoudres doivent être conformes aux CEI 61643-1 et 61643-21 et avoir les caractéristiques suivantes:

- soumis à essai avec  $I_{\text{IMP}} \geq I_F$ , où  $I_F$  représente le courant de foudre s'écoulant dans les lignes (voir Annexe E de la CEI 62305-1:2010);
- niveau de protection  $U_P$  inférieur au niveau de tenue aux chocs de l'isolation entre les éléments.

Si la protection contre les tensions de choc des réseaux internes reliés aux lignes pénétrant dans la structure est requise, un réseau de protection coordonnée par parafoudres conformément aux exigences de l'Article 7 de la CEI 62305-4:2010 doit être utilisé.

NOTE Lorsqu'une liaison équipotentielle est exigée, contrairement à un SPF qui ne l'est pas, la prise de terre de l'installation électrique basse tension peut être utilisée à cette fin. La CEI 62305-2 fournit des informations concernant les conditions dans lesquelles aucun SPF n'est requis.

### 6.3 Isolation électrique du SPF extérieur

#### 6.3.1 Généralités

L'isolation électrique entre le dispositif de capture ou le conducteur de descente et les parties métalliques de la structure, les installations métalliques et les réseaux internes peut être réalisée par une distance de séparation,  $s$ , entre les éléments. L'équation générale utilisée pour le calcul de  $s$  est donnée par la formule suivante:

$$s = \frac{k_i}{k_m} \times k_c \times l \quad (\text{m}) \quad (4)$$

où

$k_1$  dépend de la classe de SPF choisie (voir Tableau 10);

$k_m$  dépend du matériau d'isolation électrique (voir Tableau 11);

$k_c$  dépend du courant de foudre (partiel) s'écoulant dans le dispositif de capture et le conducteur de descente (voir Tableau 12 et Annexe C);

$l$  est la longueur, en mètres, le long du dispositif de capture et du conducteur de descente entre le point où la distance de séparation est à prendre en considération et le point de liaison équipotentielle le plus proche (voir E.6.3 de l'Annexe E).

NOTE La longueur  $l$  le long du dispositif de capture peut être négligée dans les structures comportant une toiture métallique continue servant de dispositif de capture naturel.

**Tableau 10 – Isolation d'un SPF extérieur – Valeurs du coefficient  $k_1$**

Classe de SPF	$k_1$
I	0,08
II	0,06
III et IV	0,04

**Tableau 11 – Isolation d'un SPF extérieur – Valeurs du coefficient  $k_m$**

Matériau	$k_m$
Air	1
Béton, briques, bois	0,5
NOTE 1 Lorsqu'il existe plusieurs matériaux isolants en série, l'application de la valeur inférieure de $k_m$ constitue une bonne pratique.	
NOTE 2 Pour l'utilisation d'autres matériaux isolants, il convient que le fabricant fournisse des recommandations de construction et la valeur de $k_m$ .	

Dans le cas des lignes ou des parties conductrices extérieures pénétrant dans la structure, il est toujours nécessaire de réaliser une liaison équipotentielle de foudre (par une connexion directe ou une connexion par l'intermédiaire d'un parafoudre) au point de pénétration dans la structure.

Dans des structures en béton armé avec armatures métalliques ou à connexion électrique continue, une distance de séparation n'est pas requise.

Le coefficient de répartition  $k_c$  du courant de foudre entre les dispositifs de capture/conducteurs de descente dépend de la classe de dispositif de capture, du nombre total  $n$  et de la position des conducteurs de descente, ainsi que des conducteurs de ceinturage d'interconnexion et du type de réseau de prises de terre. La distance de séparation nécessaire dépend de la chute de tension sur le chemin le plus court à partir du point où la distance de séparation est à prendre en considération, jusqu'à l'électrode de terre ou le point de liaison équipotentielle le plus proche.

### 6.3.2 Approche simplifiée

Dans les structures typiques d'application de l'Equation (4), il doit être tenu compte des conditions suivantes:

$k_c$  dépend du courant de foudre (partiel) s'écoulant dans les conducteurs de descente (voir Tableau 12 et Annexe C);

$l$  est la hauteur, en mètres, le long du conducteur de descente entre le point où la distance de séparation est à prendre en considération, jusqu'au point de liaison équipotentielle le plus proche.

**Tableau 12 – Isolation d'un SPF extérieur – Valeurs approchées du coefficient  $k_c$**

Nombre de conducteurs de descente $n$	$k_c$
1 (uniquement dans le cas d'un SPF isolé)	1
2	0,66
3 et au-delà	0,44
NOTE Les valeurs du Tableau 12 s'appliquent à toutes les dispositions de prises de terre de type B et toutes les dispositions de prises de terre de type A, à condition que la résistance de terre des électrodes de terre voisines ne diffère pas de plus d'un facteur de 2. Si les résistances de terre des électrodes simples diffèrent de plus d'un facteur de 2, une valeur $k_c = 1$ est supposée.	



Des informations complémentaires sur le partage du courant de foudre dans les conducteurs de descente sont données à l'Annexe C.

NOTE L'approche simplifiée génère habituellement des résultats sûrs.

### 6.3.3 Approche détaillée

Dans un SPF comportant un dispositif de capture maillé ou des conducteurs de ceinturage interconnectés, les dispositifs de capture ou les conducteurs de descente ont différentes valeurs de courant s'écoulant sur leurs longueurs du fait de la division du courant. Dans ces cas, une évaluation plus précise de la distance de séparation,  $s$ , peut être effectuée à l'aide de la relation suivante:

$$s = \frac{k_f}{k_m} \times (k_{c1} \times l_1 + k_{c2} \times l_2 + \dots + k_{cn} \times l_n) \quad (5)$$

Lorsque les dispositifs de capture ou les conducteurs de descente ont différentes valeurs de courant s'écoulant sur leurs longueurs du fait de la présence des conducteurs de ceinturage d'interconnexion, les Figures C.4 et C.5 s'appliquent.

NOTE 1 Cette approche peut être utilisée pour l'évaluation de la distance de séparation dans les structures de très grandes dimensions ou les structures de forme complexe.

NOTE 2 Des programmes de réseaux numériques peuvent être utilisés pour le calcul des coefficients  $k_c$  applicables aux conducteurs individuels.

## 7 Maintenance et inspection d'un SPF

### 7.1 Généralités

L'efficacité de tout SPF dépend de ses méthodes d'installation, de maintenance et d'essai utilisées.

Les inspections, essais et opérations de maintenance ne doivent pas être effectués pendant la menace d'orages.

NOTE Des informations détaillées concernant l'inspection et la maintenance d'un SPF sont fournies à l'Article E.7.

### 7.2 Application des inspections

Les inspections ont pour objet de s'assurer que

- le système de protection contre la foudre est conforme à la conception basée sur la présente norme,
- tous les composants du système de protection contre la foudre sont en bon état et capables d'assurer les fonctions pour lesquelles ils ont été conçus, et qu'il n'y a pas de corrosion,
- tous les services ou toutes les constructions récemment ajouté(e)s sont intégré(e)s dans le SPF.

### 7.3 Ordre des inspections

Il convient de réaliser les inspections conformément à 7.2 comme suit:

- pendant la construction de la structure, afin de contrôler les électrodes enterrées;
- après l'installation du SPF;
- périodiquement, avec des intervalles déterminés en fonction de la nature de la structure à protéger, c'est-à-dire des problèmes de corrosion et de la classe de SPF;

NOTE Pour des informations détaillées, voir l'Article E.7.

- après des modifications ou des réparations, ou lorsqu'il est notoire que la structure a été frappée par la foudre.

Lors des inspections périodiques, il est particulièrement important de vérifier les points suivants:

- la détérioration et la corrosion des éléments des dispositifs de capture, des conducteurs et des connexions;
- la corrosion des électrodes de terre;
- la valeur de résistance de terre applicable au réseau de prises de terre;
- l'état des connexions, de la liaison équipotentielle et des fixations.

#### **7.4 Maintenance**

Des inspections régulières constituent le principe même d'une maintenance fiable d'un système de protection contre la foudre. Le propriétaire du ou des biens concernés doit être informé de tous les défauts constatés, qui doivent être réparés sans retard.

### **8 Mesures de protection contre les blessures d'êtres vivants dues aux tensions de contact et de pas**

#### **8.1 Mesures de protection contre les tensions de contact**

Dans certaines conditions, la proximité des conducteurs de descente avec un SPF peut être dangereuse même si le SPF a été conçu et construit conformément aux exigences susmentionnées.

Le danger est réduit à un niveau tolérable si l'une des conditions suivantes est satisfaite:

- a) dans les conditions normales de fonctionnement, personne ne se trouve à moins de 3 m des conducteurs de descente;
- b) un réseau d'au moins 10 conducteurs de descente conformes à 5.3.5 est utilisé;
- c) la résistance de contact de la couche de surface du sol, jusqu'à 3 m du conducteur de descente, n'est pas inférieure à 100 k $\Omega$ .

NOTE Une couche en matériau isolant, par exemple, une couche d'asphalte de 5 cm d'épaisseur (ou une couche de gravier de 15 cm d'épaisseur) réduit généralement le danger à un niveau tolérable.

Si aucune de ces conditions n'est satisfaite, des mesures de protection doivent être prises contre les blessures d'êtres vivants dues aux tensions de contact de la manière suivante:

- l'isolation du conducteur de descente exposée est assurée pour une tension de tenue aux chocs de 100 kV, 1,2/50  $\mu$ s, par exemple, par du polyéthylène réticulé d'une épaisseur minimale de 3 mm;
- des restrictions physiques et/ou des pancartes d'avertissement afin de minimiser la probabilité de contact avec les conducteurs de descente.

Les mesures de protection doivent être conformes aux normes appropriées (voir ISO 3864-1).

#### **8.2 Mesures de protection contre les tensions de pas**

Dans certaines conditions, la proximité des conducteurs de descente peut être dangereuse même si le SPF a été conçu et construit conformément aux règles susmentionnées.

Le danger est réduit à un niveau tolérable si l'une des conditions suivantes est satisfaite:

- a) dans les conditions normales de fonctionnement, personne ne se trouve à moins de 3 m des conducteurs de descente;

- b) un réseau d'au moins 10 conducteurs de descente conformes à 5.3.5 est utilisé;
- c) la résistance de contact de la couche de surface du sol, jusqu'à 3 m du conducteur de descente, n'est pas inférieure à 100 k $\Omega$ .

NOTE Une couche en matériau isolant, par exemple, une couche d'asphalte de 5 cm d'épaisseur (ou une couche de gravier de 15 cm d'épaisseur) réduit généralement le danger à un niveau tolérable.

Si aucune de ces conditions n'est satisfaite, des mesures de protection doivent être prises contre les blessures d'êtres vivants dues aux tensions de pas de la manière suivante:

- équipotentialité au moyen d'un réseau de prises de terre maillé;
- des restrictions physiques et/ou des pancartes d'avertissement afin de minimiser la probabilité d'accès à la zone dangereuse, à une distance de 3 m du conducteur de descente.

Les mesures de protection doivent être conformes aux normes appropriées (voir ISO 3864-1).

## Annexe A (normative)

### Emplacement du dispositif de capture

#### A.1 Emplacement du dispositif de capture par la méthode de l'angle de protection

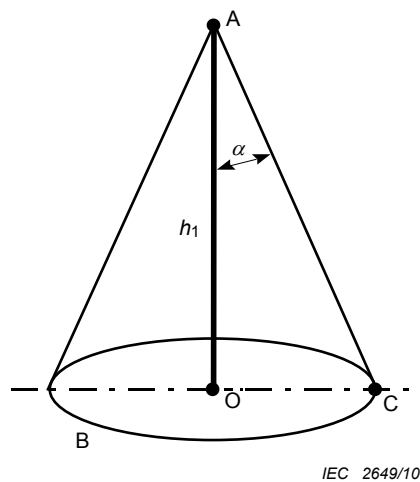
##### A.1.1 Généralités

La position du dispositif de capture est considérée appropriée si la structure à protéger est complètement située à l'intérieur du volume protégé par le dispositif de capture.

Pour la détermination du volume protégé, seules les dimensions physiques des dispositifs de capture métalliques doivent être prises en considération.

##### A.1.2 Volume protégé par un système de tige de capture verticale

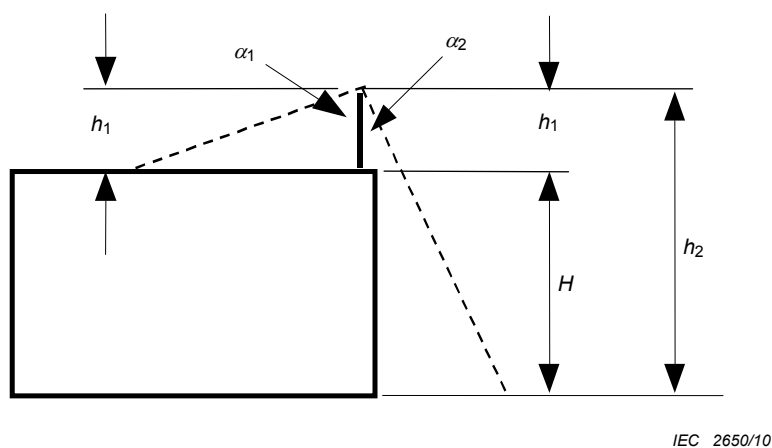
Le volume protégé par une tige verticale est supposé avoir la forme d'un cône circulaire droit ayant pour axe la tige de capture, de demi-angle de pointe  $\alpha$ , selon la classe de SPF et selon la hauteur du dispositif de capture comme indiqué au Tableau 2. Des exemples de volume protégé sont donnés aux Figures A.1 et A.2.



#### Légende

- A      pointe d'une tige de capture
- B      plan de référence
- OC     rayon de la surface protégée
- $h_1$    hauteur de la tige de capture au-dessus du plan de référence de la surface à protéger
- $\alpha$     angle de protection selon le Tableau 2

**Figure A.1 – Volume protégé par une tige de capture verticale**



### Légende

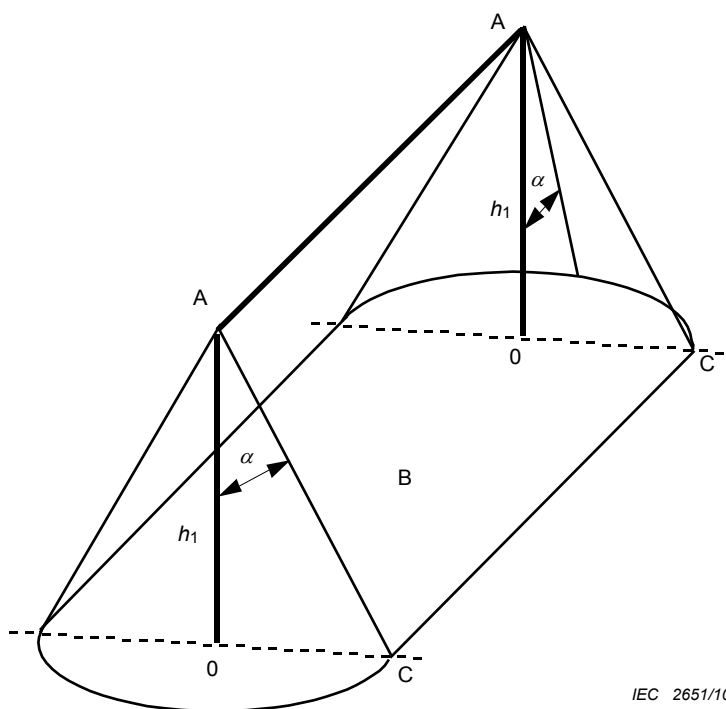
$h_1$  hauteur physique de la tige de capture

NOTE L'angle de protection  $\alpha_1$  correspond à la hauteur  $h_1$  du dispositif de capture, cette hauteur étant prise au-dessus de la surface du toit à protéger; l'angle de protection  $\alpha_2$  correspond à la hauteur  $h_2 = h_1 + H$ , le sol étant le plan de référence;  $\alpha_1$  est lié à  $h_1$  et  $\alpha_2$  est lié à  $h_2$ .

**Figure A.2 – Volume protégé par une tige de capture verticale**

### A.1.3 Volume protégé par un réseau de fils tendus

Le volume protégé par un fil (tendu) est défini par la composition du volume protégé par des tiges verticales et virtuelles de capture dont le sommet repose sur le fil. Des exemples de volume protégé sont donnés à la Figure A.3.



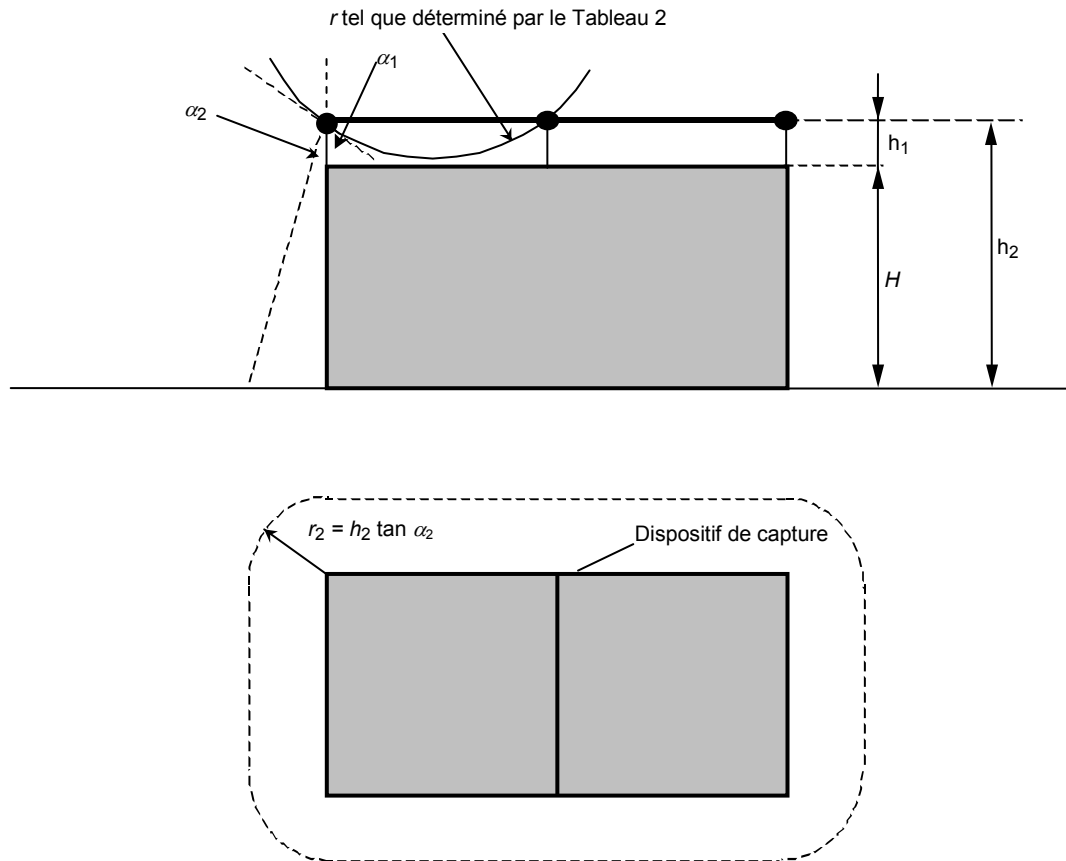
NOTE Voir Figure A.1 pour légende.

**Figure A.3 – Volume protégé par un réseau de fils tendus**

### A.1.4 Volume protégé par des conducteurs maillés

Le volume protégé par des conducteurs maillés est défini par une combinaison du volume protégé déterminé par les conducteurs simples constituant la maille.

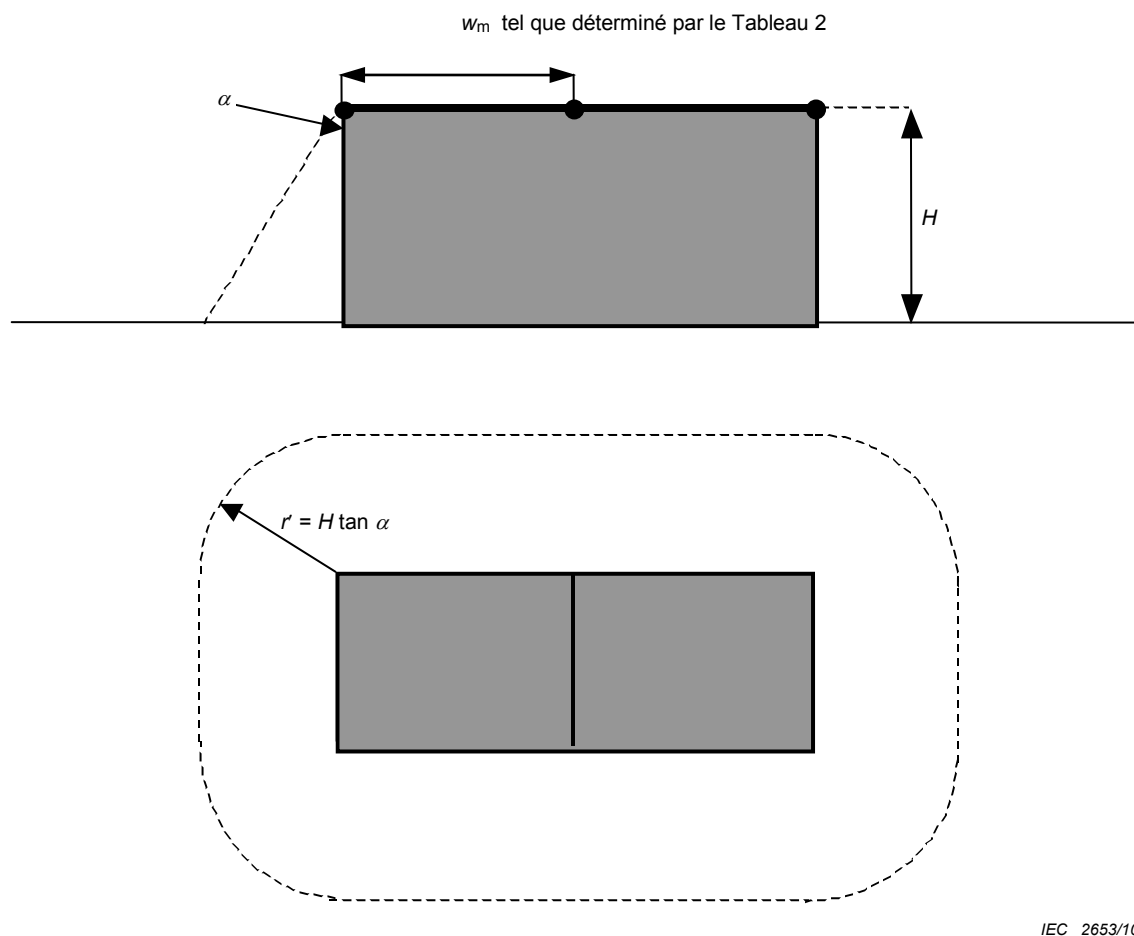
Des exemples de volume protégé par des conducteurs maillés sont donnés aux Figures A.4 et A.5.



IEC 2652/10

**Figure A.4 – Volume protégé par des conducteurs isolés combinés dans une maille selon la méthode de l'angle de protection et la méthode de la sphère fictive**

www.TeraStandard.com



IEC 2653/10

**Figure A.5 – Volume protégé par des conducteurs non-isolés combinés dans une maille selon la méthode des mailles et la méthode de l'angle de protection**

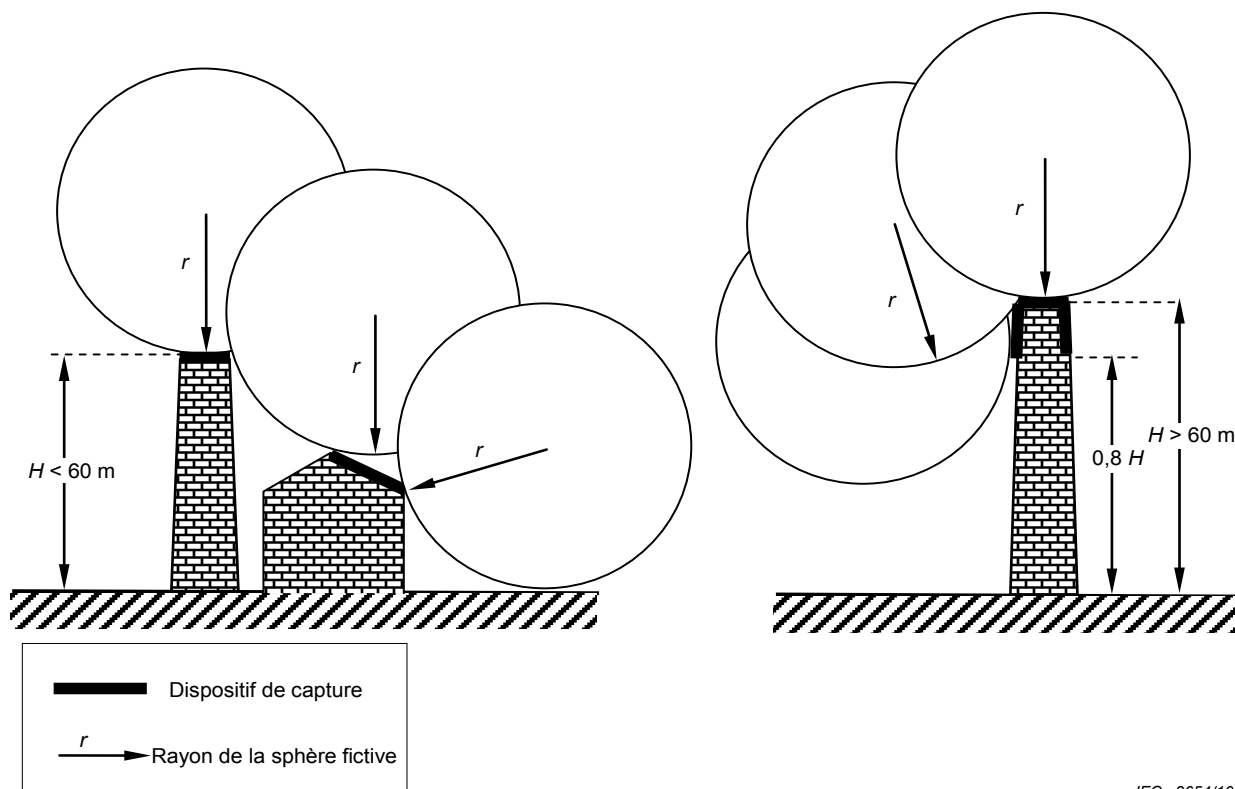
## A.2 Emplacement du dispositif de capture par la méthode de la sphère fictive

Lors de l'utilisation de cette méthode, l'emplacement du dispositif de capture est approprié si aucun point de la structure à protéger ne vient en contact avec une sphère de rayon  $r$ , selon la classe de SPF (voir Tableau 2), roulant autour et au sommet de la structure dans toutes les directions possibles. De cette manière, la sphère touche uniquement le dispositif de capture (voir Figure A.6).

Pour toutes les structures plus élevées que le rayon de la sphère fictive  $r$ , des coups latéraux peuvent se produire. Chaque point latéral de la structure touché par la sphère fictive constitue un possible point d'impact. Toutefois, la probabilité de coups latéraux est généralement négligeable pour des structures de hauteur inférieure à 60 m.

Pour des structures plus élevées, la plupart de ces coups de foudre se produisent au sommet, au niveau des arêtes horizontales et des coins de la structure. Seul un faible pourcentage de coups se produit sur le côté de la structure.

De plus, les données d'observation montrent que la probabilité de coups latéraux décroît rapidement avec la hauteur du point d'impact sur les structures élevées par rapport au sol. Par conséquent, il convient de prendre en considération l'installation d'un dispositif de capture latéral sur la partie supérieure des structures élevées (généralement les 20 % de la hauteur de la structure les plus élevées). Dans ce cas, la méthode de la sphère fictive s'appliquera uniquement à l'emplacement du dispositif de capture de la partie supérieure de la structure.



IEC 2654/10

NOTE Il convient que le rayon de la sphère fictive,  $r$ , satisfasse à la classe de SPF choisie (voir Tableau 2).

**Figure A.6 – Conception du dispositif de capture selon la méthode de la sphère fictive**

### A.3 Emplacement du dispositif de capture par la méthode des mailles

Pour la protection de surfaces planes, une maille est considérée comme fournissant une protection pour toute la surface sous réserve que toutes les conditions suivantes soient satisfaites:

- a) Les conducteurs de capture sont situés sur
  - des bordures de toit,
  - des avancées de toit,
  - des pentes de toit si leur pente est supérieure à 1/10.

NOTE 1 La méthode des mailles est adaptée aux toitures horizontales et inclinées sans courbure.

NOTE 2 La méthode des mailles est adaptée aux surfaces latérales planes pour la protection contre les coups de foudre latéraux.

NOTE 3 Si la pente du toit dépasse 1/10, des conducteurs de capture parallèles peuvent être utilisés au lieu de mailles, à condition que la distance entre ces conducteurs ne soit pas supérieure à la taille des mailles requise.

- b) Les dimensions des mailles du réseau de capture ne sont pas supérieures aux valeurs données dans le Tableau 2.
- c) Le réseau de dispositifs de capture est réalisé de manière que le courant de foudre puisse toujours s'écouler par au moins deux cheminements métalliques distincts vers le dispositif de capture concerné.
- d) Aucun élément métallique ne dépasse du volume protégé par les réseaux de capture.

NOTE 4 Des informations complémentaires sont données à l'Annexe E.

- e) Les conducteurs de capture suivent, dans toute la mesure du possible, le chemin le plus court et le plus direct.



## Annexe B (normative)

### Section minimale de l'écran d'un câble entrant pour éviter des étincelles dangereuses

Les surtensions entre les conducteurs actifs et l'écran d'un câble peuvent provoquer des étincelles dangereuses dues au courant de foudre véhiculé par l'écran. Les surtensions dépendent du matériau et des dimensions de l'écran, ainsi que de la longueur et de l'emplacement du câble.

La valeur minimale  $S_{C\text{MIN}}$  (en  $\text{mm}^2$ ) de la section d'écran d'un câble qui permet d'éviter les étincelles dangereuses est donnée par:

$$S_{C\text{MIN}} = (I_F \times \rho_C \times L_C \times 10^6) / U_W \text{ (mm}^2\text{)} \quad (\text{B.1})$$

où

$I_F$  est le courant s'écoulant dans l'écran, en kA;

$\rho_C$  est la résistivité de l'écran, en  $\Omega\text{m}$ ;

$L_C$  est la longueur du câble, en m (voir Tableau B.1);

$U_W$  est la tension de tenue aux chocs du réseau de puissance/communication alimenté par le câble, en kV.

**Tableau B.1 – Longueur de câble à prendre en considération selon l'état de l'écran**

Etat de l'écran	$L_C$
En contact avec le sol de résistivité $\rho$ ( $\Omega\text{m}$ )	$L_C \leq 8 \times \sqrt{\rho}$
Isolé du sol ou dans l'air	$L_C$ est la distance entre la structure et le point de mise à la terre le plus proche de l'écran

NOTE Il convient de s'assurer qu'une élévation inacceptable de température de l'isolation de la ligne ne peut pas se produire lors de l'écoulement du courant de foudre dans l'écran ou les conducteurs de ligne. Pour des informations détaillées, voir la CEI 62305-4.

Les limites du courant sont données:

– pour les câbles écrantés en cuivre par  $I_F = 8 \times S_C$ ; et

– pour les câbles non écrantés, par  $I_f = 8 \times n' \times S'_C$

où

$I_F$  est le courant dans l'écran, en kA;

$n'$  est le nombre de conducteurs;

$S_C$  est la section de l'écran, en  $\text{mm}^2$ ;

$S'_C$  est la section de chaque conducteur, en  $\text{mm}^2$ .

## Annexe C (informative)

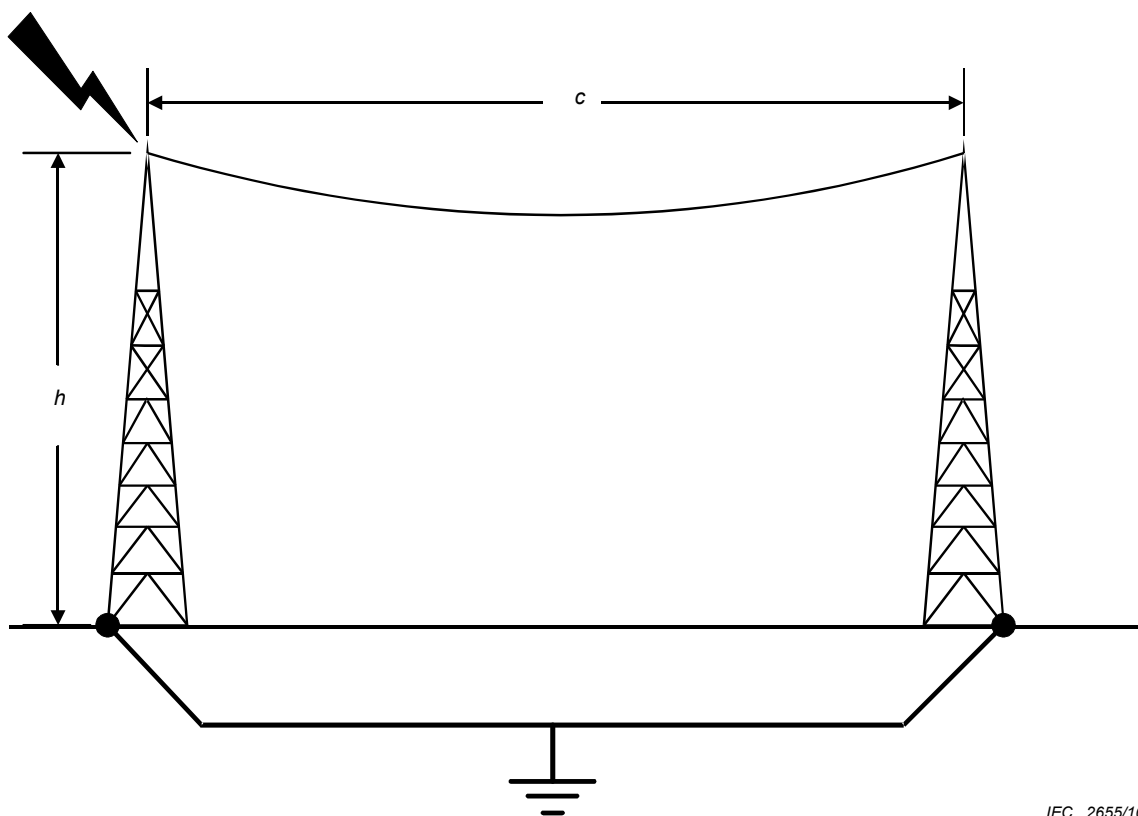
### Evaluation de la distance de séparation $s$

Le coefficient de répartition  $k_c$  du courant de foudre entre les dispositifs de capture/conducteurs de descente dépend du type de réseau de capture, du nombre total,  $n$ , des conducteurs de descente, de leur position et des conducteurs de ceinturage d'interconnexion, ainsi que du type de réseau de prises de terre.

NOTE 1 La distance de séparation nécessaire dépend de la chute de tension sur le chemin le plus court à partir du point où la distance de séparation doit être prise en considération, jusqu'au point de liaison équipotentielle le plus proche.

NOTE 2 Les informations contenues dans la présente annexe s'appliquent à toutes les dispositions de prises de terre de type B et de type A, à condition que la résistance de terre des électrodes de terre voisines ne diffère pas de plus d'un facteur de 2. Si les résistances de terre des électrodes de terre simples diffèrent de plus d'un facteur de 2, une valeur  $k_c = 1$  doit être supposée.

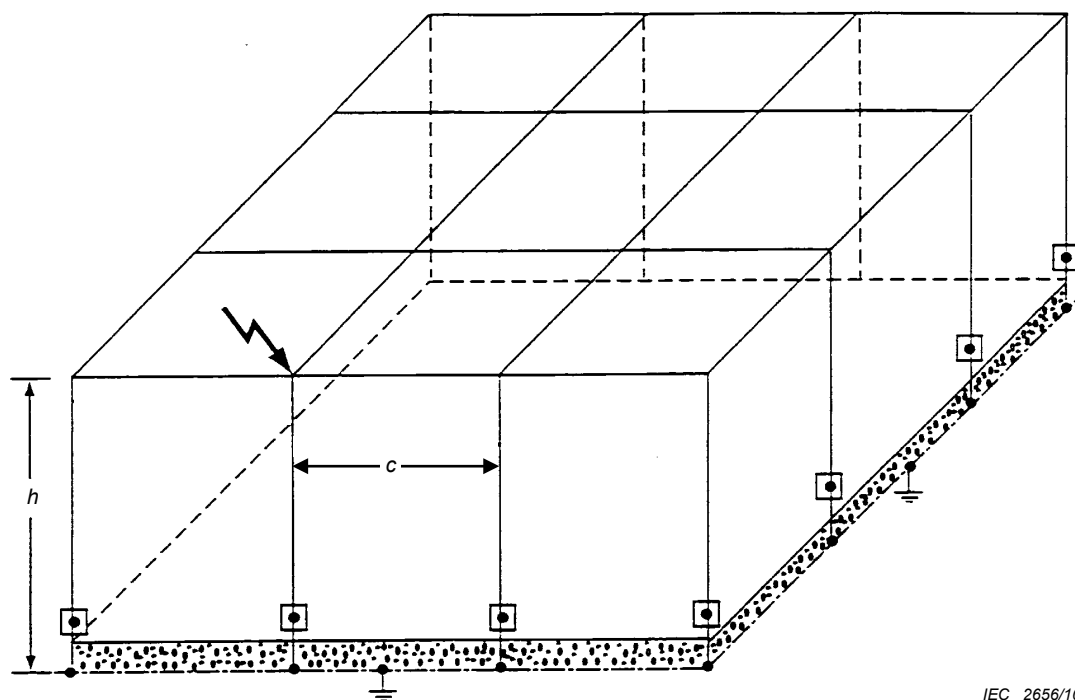
Lorsque les dispositifs de capture ou les conducteurs de descente ont la même valeur de courant s'écoulant sur leurs longueurs, les Figures C.1, C.2 et C.3 s'appliquent (voir 6.3.2: Approche simplifiée).



IEC 2655/10

$$k_c = \frac{h+c}{2h+c}$$

Figure C.1 – Valeurs du coefficient  $k_c$  dans le cas d'un réseau de fils tendus



$$k_c = \frac{1}{2n} + 0,1 + 0,2 \times \sqrt[3]{\frac{c}{h_1}}$$

#### Légende

- $n$  nombre total de conducteurs de descente  
 $c$  distance entre deux conducteurs de descente  
 $h$  espacement (ou hauteur) entre conducteurs de ceinturage

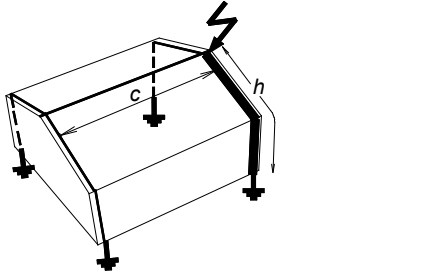
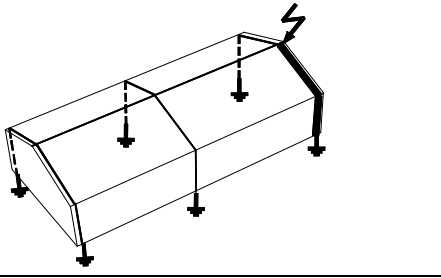
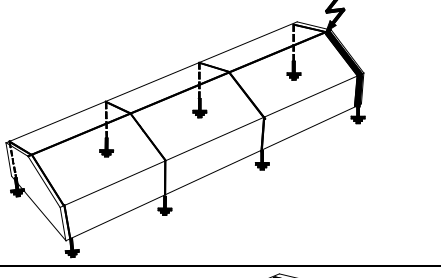
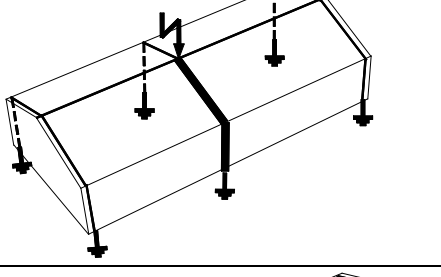
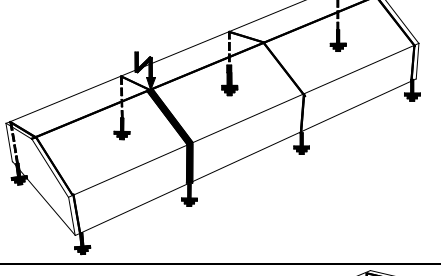
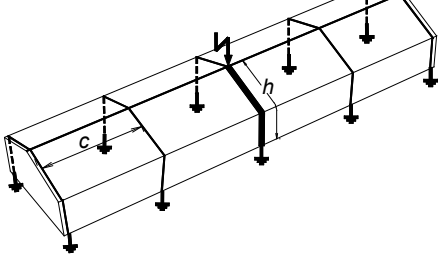
NOTE 1 L'équation utilisée pour le calcul de  $k_c$  est une approximation pour des structures cubiques et pour  $n \geq 4$ . Les valeurs de  $h$  et  $c$  sont supposées se situer dans une plage comprise entre 3 m et 20 m.

NOTE 2 Si des conducteurs de descente intérieurs existent, il convient que le nombre  $n$  les prenne en compte.

**Figure C.2 – Valeurs du coefficient  $k_c$  dans le cas d'un réseau à plusieurs conducteurs de descente**

	$\frac{c}{h}$	0,33	0,50	1,00	2,00	
	$k_c$	0,57	0,60	0,66	0,75	$c$ Distance par rapport au conducteur de descente le plus proche de l'arête
	$k_c$	0,47	0,52	0,62	0,73	$h$ Longueur du conducteur de descente entre l'arête et le point de liaison équipotentielle suivant ou le réseau de prises de terre  Les valeurs de $k_c$ , indiquées dans le tableau se réfèrent aux conducteurs de descente représentés par un trait gras et un point d'impact
	$k_c$	0,44	0,50	0,62	0,73	L'emplacement du conducteur de descente (à prendre en considération pour $k_c$ ) doit être comparé avec la figure représentative du conducteur de descente concerné  La relation réelle $c/h$ est à déterminer. Si cette relation se situe entre deux valeurs des colonnes, $k_c$ peut être déterminé par interpolation
	$k_c$	0,40	0,43	0,50	0,60	NOTE 1 Les conducteurs de descente supplémentaires séparés par une distance supérieure à celle illustrée dans les figures n'ont pas d'influence significative
	$k_c$	0,35	0,39	0,47	0,59	NOTE 2 Dans le cas de conducteurs de ceinture d'interconnexion situés au-dessous de l'arête, voir Figure C.4  NOTE 3 Les valeurs sont déterminées par simple calcul d'impédances parallèles suivant la formule de la Figure C.1
	$k_c$	0,31	0,35	0,45	0,58	

Figure C.3 (suite à la page suivante)

	$k_c$	0,31	0,33	0,37	0,41
	$k_c$	0,28	0,33	0,37	0,41
	$k_c$	0,27	0,33	0,37	0,41
	$k_c$	0,23	0,25	0,30	0,35
	$k_c$	0,21	0,24	0,29	0,35
	$k_c$	0,20	0,23	0,29	0,35

IEC 2108/05

Figure C.3 – Valeurs du coefficient  $k_c$  dans le cas d'une toiture en pente avec un dispositif de capture sur l'arête

$$d_a \geq s_a = \frac{k_i}{k_m} \times k_{c1} \times l_a$$

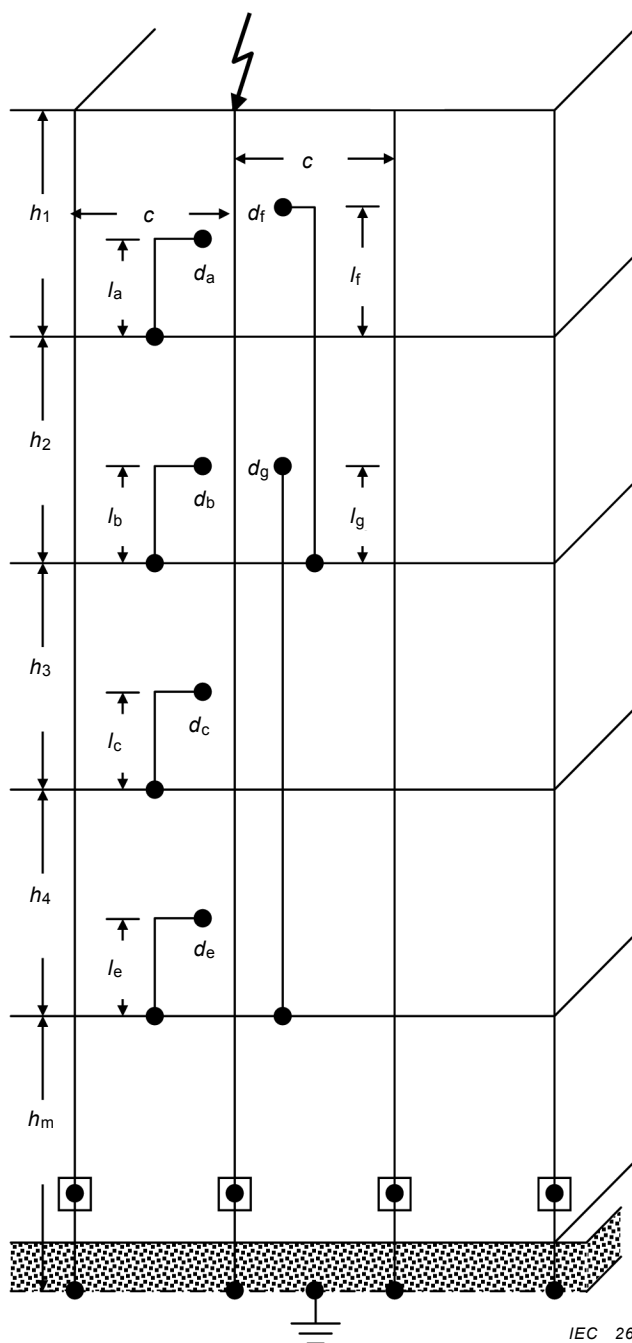
$$d_b \geq s_b = \frac{k_i}{k_m} \times k_{c2} \times l_b$$

$$d_c \geq s_c = \frac{k_i}{k_m} \times k_{c3} \times l_c$$

$$d_e \geq s_e = \frac{k_i}{k_m} \times k_{c4} \times l_e$$

$$d_f \geq s_f = \frac{k_i}{k_m} \times (k_{c1} \times l_f + k_{c2} \times h_2)$$

$$d_g \geq s_g = \frac{k_i}{k_m} \times (k_{c2} \times l_g + k_{c3} \times h_3 + k_{c4} \times h_4)$$



$$k_{c1} = \frac{1}{2n} + 0,1 + 0,2 \times \sqrt[3]{\frac{c}{h_1}}$$

$$k_{c2} = \frac{1}{n} + 0,1$$

$$k_{c3} = \frac{1}{n} + 0,01$$

$$k_{c4} = \frac{1}{n}$$

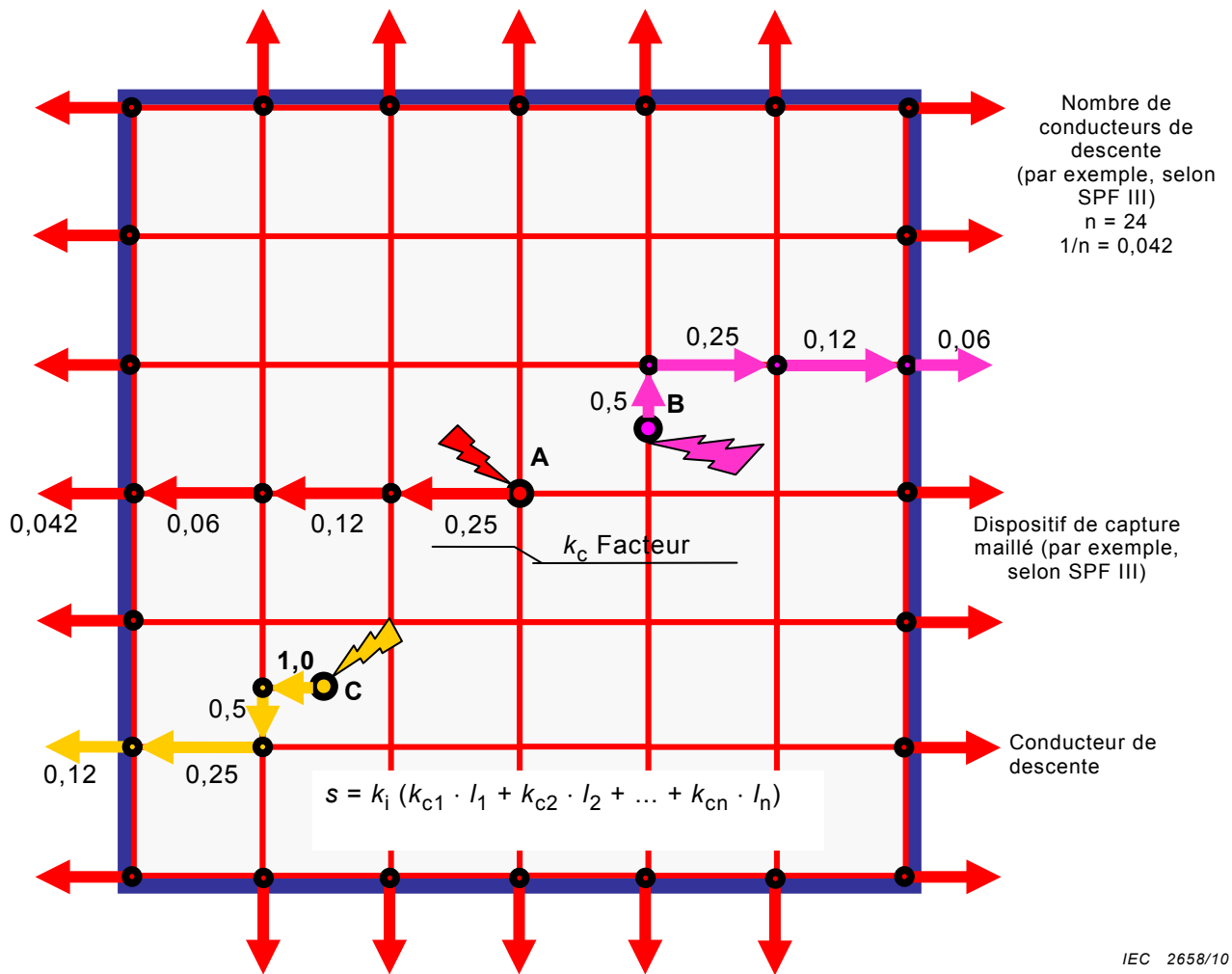
$$k_{cm} = k_{c4} = \frac{1}{n}$$

**Légende**

- n* nombre total de conducteurs de descente
- c* espacement entre les conducteurs de descente
- h* espacement (hauteur) entre les conducteurs de ceinturage
- m* nombre total de niveaux
- d* distance par rapport au conducteur de descente le plus proche
- l* hauteur au-dessus du point de liaison

NOTE Si des conducteurs de descente intérieurs existent, il convient que le nombre *n* les prenne en compte.

**Figure C.4 – Exemples de calcul de la distance de séparation dans le cas de conducteurs de descente multiples, avec ceinturage des conducteurs de descente à chaque niveau**



### Légende

A, B, C points d'injection

NOTE 1 Règles pour la répartition du courant:

a) Point d'injection

Le courant est réparti par le nombre de passages de courant potentiels au point d'injection dans le réseau de capture maillé.

b) Autres connexions (jonctions)

Le courant est réduit de 50 % à tout autre point de connexion du réseau de capture maillé.

c) Conducteur de descente

Le courant est réduit une nouvelle fois de 50 %, mais la valeur de  $k_c$  ne doit toutefois pas être inférieure à  $1/n$ .

( $n$  .. nombre total de conducteurs de descente)

NOTE 2 Les valeurs de  $k_c$  doivent être prises en considération entre le point d'impact et l'arête du toit. Il n'est pas nécessaire de tenir compte du cheminement entre l'arête du toit et le conducteur de descente. Les valeurs de  $k_c$  le long des conducteurs de descente dépendent de la valeur de  $k_c$  du dispositif de capture connecté au niveau de l'arête du toit.

NOTE 3 Si le nombre de mailles est inférieur à celui présenté ci-dessus, entre le point d'impact et l'arête du toit, seules les valeurs correspondantes de  $k_c$ , en partant du point où la distance de proximité doit être prise en considération, doivent être utilisées.

NOTE 4 Si des conducteurs de descente intérieurs existent, il convient de les prendre en compte pour le calcul du nombre  $n$ .

**Figure C.5 – Valeurs du coefficient  $k_c$  dans le cas d'un réseau de capture maillé et d'un réseau de conducteurs de descente multiple**

## **Annexe D** (normative)

### **Informations complémentaires concernant les SPF dans le cas de structures avec risque d'explosion**

#### **D.1 Généralités**

La présente annexe spécifie des exigences complémentaires pour la conception, la construction, l'extension et la modification des systèmes de protection contre la foudre de structures avec risque d'explosion.

NOTE Les informations données dans la présente annexe sont fondées sur les configurations éprouvées de systèmes de protection contre la foudre installés dans des applications avec danger d'explosion. Les autorités compétentes peuvent spécifier d'autres exigences.

#### **D.2 Termes et définitions complémentaires**

Outre les termes et définitions de l'Article 3, les termes et définitions de la CEI 60079-14:2007 ainsi que les termes et définitions suivants s'appliquent à la présente annexe.

##### **D.2.1**

##### **matériau explosif massif**

composé chimique massif, mélange ou dispositif dont le but principal ou courant est de fonctionner avec une explosion

##### **D.2.2**

##### **zone 0**

emplacement dans lequel une atmosphère explosive constituée d'un mélange d'air et de substances inflammables sous la forme de gaz, de vapeur ou d'aérosol est présente en permanence, ou est présente pendant de longues périodes ou fréquemment

[CEI 60050-426:2008, 426-03-03, modifiée] <sup>[4]</sup>

##### **D.2.3**

##### **zone 1**

emplacement dans lequel une atmosphère explosive constituée d'un mélange d'air et de substances inflammables sous la forme de gaz, de vapeur ou d'aérosol est susceptible de se former en service normal occasionnellement

[CEI 60050-426:2008, 426-03-04, modifiée] <sup>[4]</sup>

##### **D.2.4**

##### **zone 2**

emplacement dans lequel une atmosphère explosive constituée d'un mélange d'air et de substances inflammables sous la forme de gaz, de vapeur ou d'aérosol n'est pas susceptible de se former en service normal et où une telle formation, si elle se produit, ne peut subsister que pendant une courte période

NOTE 1 Dans cette définition, le terme « subsister » signifie le temps total durant lequel une atmosphère inflammable existe. Ce temps comprend normalement le temps total de présence en plus du temps de dispersion de l'atmosphère inflammable après évacuation.

NOTE 2 Des indications sur la fréquence d'apparition et la durée peuvent être données par des règlements propres à des industries ou applications spécifiques.

[CEI 60050-426:2008, 426-03-05, modifiée] <sup>[4]</sup>



**D.2.5****zone 20**

emplacement dans lequel une atmosphère explosive, sous la forme d'un nuage de poussières combustibles dans l'air, est présente en permanence, pendant de longues périodes ou fréquemment

[CEI 60079-10-2:2009, 6.2, modifiée]

**D.2.6****zone 21**

emplacement dans lequel une atmosphère explosive, sous la forme d'un nuage de poussières combustibles dans l'air, est susceptible de se former occasionnellement en fonctionnement normal

[CEI 60079-10-2:2009, 6.2, modifiée]

**D.2.7****zone 22**

emplacement dans lequel une atmosphère explosive, sous la forme d'un nuage de poussières combustibles dans l'air, n'est pas susceptible de se former en fonctionnement normal, et où une telle formation, si elle se produit, ne peut subsister que pendant une courte période

[CEI 60079-10-2:2009, 6.2, modifiée]

**D.3 Exigences fondamentales****D.3.1 Généralités**

Le système de protection contre la foudre doit être conçu et installé de manière que, en cas d'impact direct, aucun effet de fusion ou de projection n'apparaisse sauf au point d'impact.

NOTE 1 Les étincelles ou les effets d'impact au point d'impact peuvent également se vérifier. Il convient que cet aspect soit pris en considération dans la détermination des emplacements du dispositif de capture. Il convient que les conducteurs de descente soient installés de manière que la température d'auto-inflammation donnée par la source de la zone dangereuse relative ne soit pas dépassée dans les applications où il n'est pas possible d'installer les conducteurs de descente à l'extérieur de la zone dangereuse.

NOTE 2 Un impact sur les matériels électriques ne peut être évité dans tous les cas du fait de l'occurrence du coup de foudre.

**D.3.2 Informations requises**

Le concepteur/installateur du système de protection contre la foudre doit disposer des schémas de l'installation ou des installations à protéger, avec les zones où les matériaux explosifs massifs sont manipulés ou stockés, ou les zones dangereuses conformément à la CEI 60079-10-1 et à la CEI 60079-10-2, comportant un marquage approprié.

**D.3.3 Mise à la terre**

Une disposition de type B pour le réseau de prises de terre, conformément à 5.4.2.2, est préférable pour tous les systèmes de protection contre la foudre de structures avec risque d'explosion.

NOTE La construction d'une structure peut fournir la boucle à fond de fouille équivalente du conducteur de ceinturage d'une disposition de type B (par exemple, réservoirs métalliques).

La résistance de terre des réseaux de prises de terre pour les structures contenant des matériaux explosifs massifs et des mélanges explosifs doit être la plus faible possible et non supérieure à 10  $\Omega$ .

### **D.3.4 Liaison équipotentielle**

Une liaison équipotentielle commune doit être prévue pour le système de protection contre la foudre conformément à 6.2 et pour les installations situées dans des zones avec risque d'explosion conformément à la CEI 60079-10-1 et à la CEI 60079-10-2.

## **D.4 Structures contenant des matériaux explosifs massifs**

La conception d'une protection contre la foudre pour les structures contenant des matériaux explosifs massifs doit tenir compte de la sensibilité des matériaux dans les conditions de leur utilisation ou de leur stockage. Par exemple, des matériaux explosifs en vrac non sensibles peuvent ne pas nécessiter de prise en considération autre que celle spécifiée dans la présente annexe. Toutefois, il existe des conditions de matériaux explosifs sensibles pouvant devenir sensibles à la variation rapide des champs électriques et/ou de l'IEMF rayonnée. Il peut être nécessaire de spécifier des exigences supplémentaires en termes de liaison ou de blindage pour ce type d'applications.

Pour les structures contenant des matériaux explosifs massifs, une installation extérieure de système de protection contre la foudre isolée (tel que définie en 5.1.2) est recommandée. Les structures complètement entourées d'une tôle métallique d'une épaisseur minimale de 5 mm en acier ou équivalent (7 mm pour les structures en aluminium) peuvent être considérées comme protégées par un dispositif de capture naturel, tel que défini en 5.2.5. Les exigences de mise à la terre spécifiées en 5.4 s'appliquent à ces structures.

NOTE Lorsque des problèmes de points chauds ou d'inflammation peuvent survenir, il convient de vérifier que l'élévation de température de la surface intérieure au point d'impact ne constitue pas un danger.

Des parafoudres doivent être mis en place comme partie intégrante du système de protection contre la foudre pour tous les sites contenant des matériaux explosifs. Lorsque la pratique le permet, les parafoudres doivent être installés à l'extérieur des sites contenant des matériaux explosifs massifs. Les parafoudres installés à l'intérieur des sites contenant des matériaux explosifs exposés ou des poussières explosives doivent être antidéflagrants.

## **D.5 Structures contenant des zones dangereuses**

### **D.5.1 Généralités**

Toutes les parties de l'installation extérieure de système de protection contre la foudre (dispositif de capture et conducteurs de descente) doivent être situées au moins à 1 m d'une zone dangereuse, dans toute la mesure du possible. Lorsque cela n'est pas possible, il convient que les conducteurs passant à l'intérieur d'une zone dangereuse soient de préférence continus ou les connexions doivent être réalisées conformément à 5.5.3.

Tout desserrement accidentel des connexions dans des zones dangereuses doit être évité.

Lorsqu'une zone dangereuse est directement située sous une couverture métallique pouvant être percée par la foudre (voir 5.2.5), le dispositif de capture doit être prévu conformément aux exigences de 5.2.

#### **D.5.1.1 Protection contre l'explosion**

Les parafoudres doivent être installés à l'extérieur de la zone dangereuse lorsque la pratique le permet. Les parafoudres placés à l'intérieur de la zone dangereuse doivent être agréés pour la zone dangereuse dans laquelle ils sont installés.

### **D.5.1.2 Liaison équipotentielle**

Outre les connexions conformes aux Tableaux 7 et 8, les canalisations raccordées de manière à être électriquement conductrices selon 5.3.5 peuvent également être utilisées comme connexions.

Les canalisations métalliques aériennes extérieures aux unités de traitement doivent être reliées à la terre au moins tous les 30 m. Les connexions aux canalisations doivent être telles que, lors du passage du courant de foudre, aucune étincelle ne se produise. Des connexions appropriées aux canalisations se présentent sous la forme de soudures, de boulons ou de vissage dans les brides. Des connexions réalisées au moyen d'attaches ne sont admises que si, en présence de courants de foudre, la protection contre l'inflammation est démontrée par des essais et des méthodes sont appliquées pour assurer la fiabilité de la connexion. Des soudures doivent être prévues pour la liaison des raccords et des conducteurs de mise à la terre des conteneurs, éléments de construction métalliques, cylindres et réservoirs.

Les connexions de liaison équipotentielle de foudre entre le système de protection contre la foudre et les autres installations/structures/matériels sont effectuées avec l'accord de l'opérateur. Les connexions de liaison équipotentielle de foudre utilisant des éclateurs ne peuvent être réalisées sans l'accord de l'opérateur. De tels dispositifs doivent être appropriés à l'environnement dans lequel ils sont installés.

### **D.5.2 Structures contenant des zones 2 et 22**

Des structures contenant des zones définies comme zones 2 et 22 peuvent ne pas nécessiter de mesures de protection complémentaires.

Pour des installations métalliques extérieures (par exemple, colonnes, bobines de réactance, conteneurs comportant des zones 2 et 22) dont l'épaisseur et les matériaux satisfont aux exigences du Tableau 3, les règles suivantes s'appliquent:

- les dispositifs de capture et les conducteurs de descente ne sont pas prescrits;
- les installations doivent être mises à la terre selon l'Article 5.

### **D.5.3 Structures contenant des zones 1 et 21**

Pour des structures contenant des zones définies comme zones 1 et 21, les exigences pour les zones 2 et 22 s'appliquent avec les compléments suivants:

- si des éléments isolants sont utilisés dans les canalisations, l'opérateur doit déterminer les mesures de protection. Par exemple, une décharge peut être évitée par l'utilisation d'éclateurs isolants anti-explosifs;
- les éclateurs d'isolement et les éléments isolants doivent être installés à l'extérieur des zones avec risque d'explosion.

### **D.5.4 Structures contenant des zones 0 et 20**

Pour des structures contenant des zones définies comme zones 0 et 20, les exigences de D.5.3 s'appliquent, complétées par les recommandations spécifiées dans le présent article, selon le cas.

Pour les installations extérieures comportant des zones définies comme zones 0 et 20, les exigences pour les zones 1, 2, 21 et 22 s'appliquent avec les compléments suivants:

- les matériels électriques situés dans les réservoirs de liquides inflammables doivent être appropriés à cet usage. Des mesures de protection contre la foudre doivent être prises selon le type de construction;
- les conteneurs en acier fermés comportant des zones internes définies comme zones 0 et 20 doivent avoir une épaisseur de paroi conforme au Tableau 3 aux points potentiels

d'impact de la foudre, à condition que l'élévation de température de la surface intérieure au point d'impact ne constitue pas un danger. Dans le cas de parois plus minces, des dispositifs de capture doivent être installés.

## **D.5.5 Applications particulières**

### **D.5.5.1 Stations de carburant**

Les canalisations métalliques des stations de remplissage pour automobiles, bateaux, etc. comportant des zones dangereuses doivent être mises à la terre selon l'Article 5. Ces canalisations doivent être raccordées avec des constructions et des traverses en acier lorsqu'elles existent (si nécessaire au moyen d'éclateurs d'isolement agréés pour la zone dangereuse dans laquelle elles sont installées), afin de tenir compte des courants de rail, courants vagabonds, fusibles des trains électriques, systèmes de protection cathodique contre la corrosion et analogues.

### **D.5.5.2 Réservoirs de stockage**

Certains types de structures utilisées pour le stockage de liquides pouvant générer des vapeurs inflammables ou pour le stockage de gaz inflammables sont essentiellement auto-protégés (contenus entièrement dans des enveloppes métalliques continues d'une épaisseur non inférieure à 5 mm en acier ou 7 mm en aluminium, sans éclateurs) et ne nécessitent pas de protection complémentaire, à condition que l'élévation de température de la surface intérieure au point d'impact ne constitue pas un danger.

De même, les réservoirs et canalisations enterrés ne nécessitent pas l'installation de dispositifs de capture. Les instruments ou les circuits électriques utilisés dans ces matériels doivent être approuvés pour ce service. Des mesures de protection contre la foudre doivent être prises selon le type de construction.

Pour les réservoirs situés dans des parcs de stockage (par exemple, raffineries et dépôts), la mise à la terre de chaque réservoir en un seul point est suffisante. Les réservoirs doivent être interconnectés. Outre les connexions conformes aux Tableaux 8 et 9, les canalisations raccordées de manière à être électriquement conductrices selon 5.3.5 peuvent également être utilisées comme connexions.

NOTE Dans certains pays, des exigences complémentaires peuvent s'appliquer.

Les réservoirs ou conteneurs isolés doivent être mis à la terre conformément à l'Article 5 en fonction de la dimension horizontale la plus importante (diamètre ou longueur):

- jusqu'à 20 m, une seule mise à la terre;
- au-delà de 20 m, deux mises à la terre.

Dans le cas de réservoirs à toiture flottante, la toiture flottante doit être effectivement reliée à la coque principale du réservoir. La conception des joints et des dériviations et leur emplacement relatif doivent faire l'objet d'une attention toute particulière de manière que le risque d'inflammation d'un mélange explosif potentiel par une étincelle incendiaire soit réduit au niveau le plus faible possible. Lorsqu'une échelle mobile est fixée, un conducteur souple d'équipotentialité d'une largeur de 35 mm et d'une épaisseur minimale de 3 mm doit être appliqué entre les échelons, entre l'échelle et le sommet du réservoir, et entre l'échelle et la toiture flottante. Lorsqu'une échelle mobile n'est pas fixée sur le réservoir à toiture flottante, un ou plusieurs conducteurs souples d'équipotentialité (en fonction des dimensions du réservoir) d'une largeur de 35 mm et d'une épaisseur minimale de 3 mm, ou équivalent, doivent être appliqués entre la coque du réservoir et la toiture flottante. Les conducteurs d'équipotentialité doivent être disposés de manière à ne pas constituer une boucle entrante. Sur les réservoirs à toiture flottante, des connexions en dérivation multiples doivent être prévues entre la toiture flottante et la coque du réservoir environ tous les 1,5 m sur la périphérie du toit. Le choix des matériaux est fondé sur les exigences relatives au produit et/ou à l'environnement. D'autres moyens de connexion conductrice appropriée entre la toiture flottante et la coque du réservoir pour les courants pulsés associés aux décharges de

foudre ne sont admis que s'ils ont été éprouvés par des essais et que si des méthodes sont appliquées pour assurer la fiabilité de la connexion.

### **D.5.5.3 Réseau de canalisations**

Il convient de connecter les réseaux de canalisations métalliques aériens, situés à l'intérieur d'une installation de production mais à l'extérieur des unités de traitement, au réseau de mise à la terre tous les 30 m, ou il convient que leur mise à la terre soit effectuée au moyen d'une électrode de terre de surface ou d'une tige de terre. Il convient de ne pas tenir compte des supports isolants des canalisations.

## **D.6 Maintenance et inspection**

### **D.6.1 Généralités**

Tous les systèmes de protection contre la foudre mis en place et utilisés pour protéger les structures avec risque d'explosion doivent faire l'objet d'une maintenance et d'une inspection appropriées. Les exigences complémentaires à celles mentionnées à l'Article 7 se révèlent nécessaires pour l'inspection et la maintenance des systèmes de protection contre la foudre dans les structures avec risque d'explosion.

### **D.6.2 Exigences générales**

Un plan de maintenance et d'inspection doit être élaboré pour les systèmes de protection installés. Des directives pour la maintenance du système de protection contre la foudre doivent être fournies ou jointes au programme existant une fois le SPF installé.

### **D.6.3 Qualifications**

Seul le personnel qualifié ayant la formation et les compétences nécessaires doit être autorisé à effectuer des opérations de maintenance ou d'inspection, ainsi que des essais, sur le système de protection contre la foudre d'installations comportant des matériaux explosifs.

L'inspection nécessite de faire appel à du personnel qui

- a) possède les connaissances techniques et comprend les exigences théoriques et pratiques applicables à la mise en œuvre dans des zones dangereuses, ainsi que pour les matériels et les installations de SPF,
- b) comprend les exigences relatives aux inspections visuelles et exhaustives, associées aux matériels et installations de SPF mis en place.

NOTE 1 Les compétences et la formation peuvent être définies dans des cadres de formation et d'évaluation nationaux appropriés.

### **D.6.4 Exigences en matière d'inspection**

Pour s'assurer de l'état satisfaisant pérenne des installations, en vue de leur utilisation continue

- a) des inspections périodiques régulières, et/ou
- b) une surveillance continue assurée par du personnel qualifié, et

si nécessaire, des opérations de maintenance doivent être effectuées.

Suite à toute opération d'ajustement, de maintenance, de réparation, de remise en état, de modification ou de remplacement, les matériels ou éléments de matériels appropriés concernés doivent faire l'objet d'une inspection.

#### **D.6.4.1 Inspections périodiques régulières**

Le personnel chargé des inspections périodiques régulières doit être suffisamment exempt des exigences liées aux activités de maintenance, par exemple, pour ne pas remettre en cause leur aptitude à rendre compte avec fiabilité des résultats de l'inspection effectuée.

NOTE Il n'est pas nécessaire que ce personnel soit membre d'un organisme indépendant externe.

#### **D.6.4.2 Concept de surveillance continue par du personnel qualifié**

La surveillance continue a pour objectif de permettre une détection précoce des défauts constatés et leur réparation ultérieure. Cette surveillance repose sur le personnel qualifié effectif présent sur le site de l'installation dans le cadre de son activité normale (par exemple, travaux de montage et d'assemblage, modifications, inspections, travaux de maintenance, contrôle des défauts, travaux de nettoyage, contrôles divers, réalisation de connexions et de déconnexions par bornes, essais de fonctionnement, mesures) et dont les compétences lui permettent de détecter les défauts et modifications dès l'origine.

Lorsqu'une installation fait l'objet d'une inspection régulière, dans le cadre de l'activité normale, par du personnel qualifié qui, outre le fait de satisfaire aux exigences de a) et b) de D.6.3,

- a) est conscient des conséquences du processus et de l'environnement sur la détérioration des matériels spécifiques de l'installation concernée, et
- b) doit effectuer des inspections visuelles et/ou exhaustives dans le cadre de son programme normal de travail, ainsi que des inspections détaillées,

il peut alors être possible de ne pas effectuer d'inspection périodique régulière et de faire appel au personnel qualifié, dont la présence est régulière, pour assurer l'intégrité permanente des matériels.

Le recours à une surveillance continue par du personnel qualifié ne libère pas de l'obligation de satisfaire aux exigences d'effectuer des inspections initiales et par échantillonnage.

#### **D.6.5 Exigences relatives aux essais électriques**

Le système de protection contre la foudre doit faire l'objet d'essais électriques

- a) tous les 12 (+2) mois, ou
- b) la prévision précise d'une fréquence d'inspection périodique appropriée représente une question complexe. Le degré d'inspection et l'intervalle entre les inspections périodiques doivent être déterminés compte tenu du type de matériels, des recommandations du fabricant, le cas échéant, des facteurs régissant leur détérioration et des résultats des inspections antérieures.

Lorsque des degrés et des intervalles d'inspection ont été établis pour des matériels, installations et environnements similaires, la détermination de la stratégie d'inspection doit tenir compte de cette expérience.

Il convient que les intervalles entre les inspections périodiques dépassant trois ans soient fondés sur une évaluation qui inclut des informations pertinentes.

Il convient d'effectuer les opérations de maintenance et d'inspection du système de protection contre la foudre conjointement aux opérations de maintenance et d'inspection de toutes les autres installations électriques situées dans des zones dangereuses. Elles doivent par ailleurs être intégrées au programme de maintenance.

Les instruments utilisés pour les essais doivent être conformes à la CEI 61557-4.

La résistance CC de tout objet simple relié au système de protection contre la foudre ne doit pas être supérieure à 0,2  $\Omega$ .

L'essai doit être effectué conformément aux instructions appropriées du fabricant du matériel d'essai.

#### **D.6.6 Méthodes d'essai de résistance de terre**

Seuls les instruments conçus spécialement pour les essais de résistance de terre doivent pouvoir être utilisés dans cette application.

Les instruments d'essai doivent faire l'objet d'un entretien et d'un étalonnage appropriés, conformément aux instructions du fabricant.

Une méthode d'essai de résistance de terre à trois points doit si possible être utilisée pour mesurer la résistance de terre des installations explosives.

#### **D.6.7 Protection contre les tensions de choc**

Les parafoudres (et leurs sectionneurs externes lorsqu'ils sont fournis) doivent faire l'objet d'une inspection conformément aux instructions du fabricant à des intervalles maximum de 12 mois ou lorsque des essais électriques du SPF sont effectués. Les parafoudres doivent également faire l'objet d'une inspection après tout coup de foudre ayant prétendument frappé la structure.

#### **D.6.8 Réparations**

Le personnel de maintenance doit veiller à ce que les réparations de toutes les anomalies constatées lors des inspections soient effectuées dans un délai acceptable.

#### **D.6.9 Enregistrements et documentation**

Toute indication de dommage engendré par un coup de foudre à une structure ou à son SPF doit être immédiatement documentée et consignée dans un rapport.

Des historiques des opérations de maintenance et d'inspection doivent être tenus à jour pour chaque installation en vue d'une analyse des tendances.

## **Annexe E** (informative)

### **Lignes directrices pour la conception, la mise en œuvre, la maintenance et l'inspection des systèmes de protection contre la foudre**

#### **E.1 Généralités**

La présente annexe donne des lignes directrices sur la conception physique, la mise en œuvre, la maintenance et l'inspection d'un système de protection contre la foudre (SPF) conforme à la présente norme.

Il convient d'utiliser la présente annexe seulement en connexion avec les autres parties de la présente norme.

Des exemples sont donnés pour les techniques de protection ayant fait l'objet d'un accord entre les experts internationaux.

NOTE Les exemples donnés dans la présente annexe illustrent une méthode de protection possible. D'autres méthodes peuvent être également utilisées.

#### **E.2 Structure de la présente annexe**

Dans la présente annexe, la numérotation des principaux articles suit, le cas échéant, celle de la partie principale. Cela facilite la lecture des deux parties.

Afin de respecter cette numérotation, l'Article E.3 n'est pas utilisé dans la présente annexe.

#### **E.3 Vacant**

#### **E.4 Conception des systèmes de protection contre la foudre (SPF)**

##### **E.4.1 Remarques générales**

Il convient toujours de mettre en balance la mise en œuvre d'un SPF pour une structure existante avec d'autres mesures de protection contre la foudre conformément à la présente norme donnant le même niveau de protection pour des coûts réduits. Pour le choix des mesures de protection les plus appropriées, la CEI 62305-2 s'applique.

Il convient que le système de protection contre la foudre soit conçu et installé par des concepteurs et des installateurs spécialisés.

Il convient que le concepteur et l'installateur d'un SPF soient capables d'évaluer tant les effets électriques que mécaniques des décharges de foudre et soient familiarisés avec les principes généraux de la compatibilité électromagnétique (CEM).

De plus, il convient que le concepteur du système de protection contre la foudre soit capable d'évaluer les effets de la corrosion et de déterminer le moment où il est nécessaire de consulter un expert.

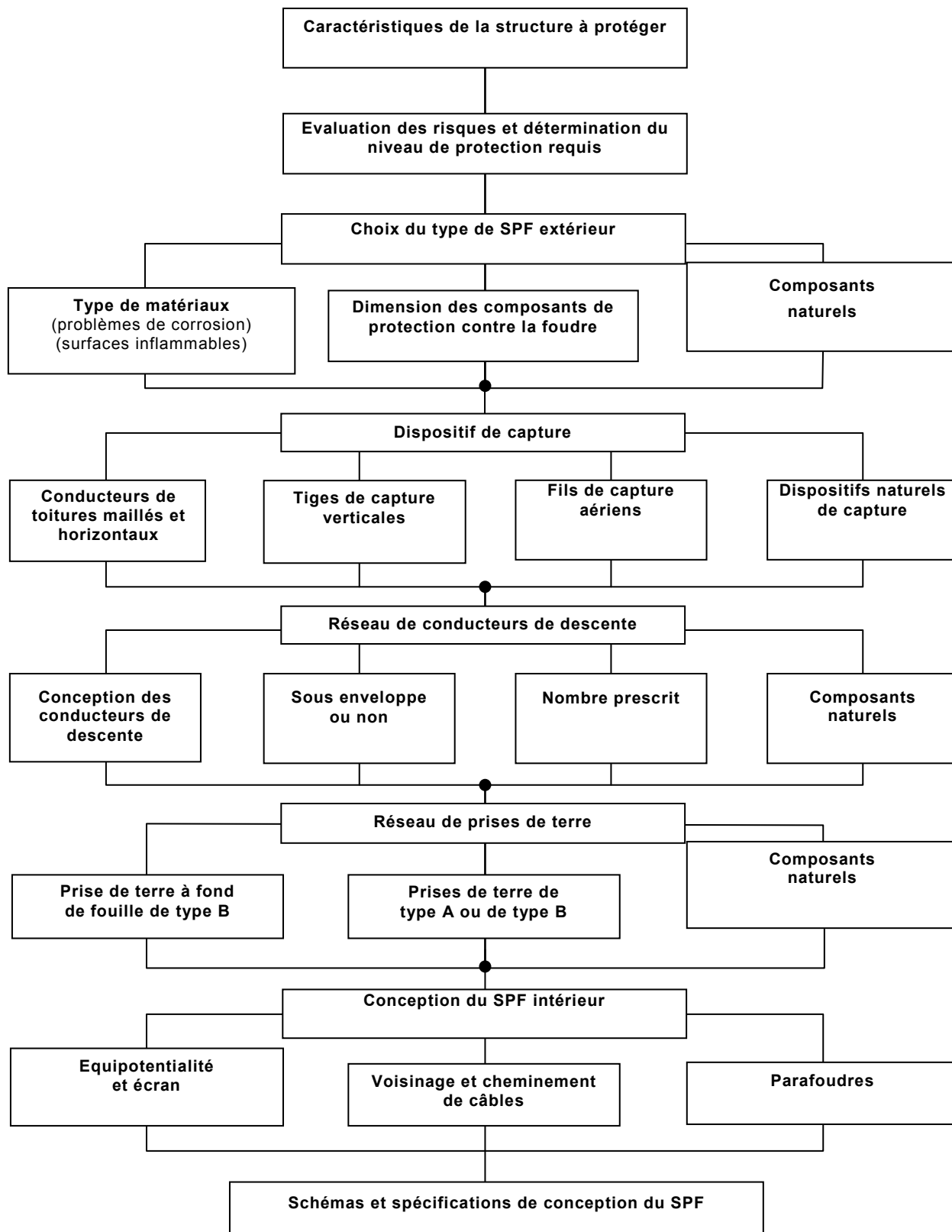
Il convient que le concepteur et l'installateur du système de protection contre la foudre soient formés à la conception et à l'installation correctes des composants du SPF conformément aux exigences de la présente norme et aux règlements nationaux régissant les ouvrages de construction et la construction de bâtiments.



Les fonctions de concepteur/installateur d'un SPF peuvent être exécutées par la même personne. Pour être un concepteur ou un installateur spécialisé, il est nécessaire de bien connaître les normes pertinentes et d'avoir plusieurs années d'expérience.

La planification, la mise en œuvre et la vérification par essai d'un SPF couvrent divers domaines techniques et exigent une coordination de tous les corps impliqués dans la construction de la structure afin d'assurer la réalisation du niveau de protection contre la foudre choisi à moindre coût et avec le moins d'efforts possibles. Il convient que la mise en œuvre du SPF soit efficace si les étapes de la Figure E.1 sont respectées. Les mesures d'assurance de la qualité sont de la plus haute importance en particulier pour les structures comportant des installations extensives électriques et électroniques.

www.TeraStandard.com



IEC 2659/10

NOTE Les interfaces ● nécessitent la coopération complète entre l'architecte, l'ingénieur et le concepteur du système de protection contre la foudre.

Figure E.1 – Schéma de conception d'un SPF

Les mesures d'assurance de la qualité commencent à l'étape de planification dans laquelle il convient d'approuver tous les schémas et se poursuivent au niveau de l'étape de mise en œuvre du SPF au cours de laquelle il convient de vérifier toutes les parties essentielles du SPF non accessibles à des fins d'inspection une fois les travaux de construction achevés. Les mesures d'assurance de la qualité s'appliquent encore à l'étape d'agrément lorsqu'il convient d'effectuer les mesures finales sur le SPF en conformité avec la documentation de l'essai final, et continuent d'être appliquées durant toute la durée de vie du SPF, par la spécification de vérifications périodiques minutieuses conformes au programme de maintenance.

Lorsque des modifications sont apportées à la structure ou à ses installations, il convient d'effectuer une vérification pour déterminer si la protection contre la foudre existante est toujours conforme à la présente norme. S'il s'avère que la protection est inappropriée, il convient de procéder immédiatement à des améliorations.

Il est recommandé que les matériaux, l'étendue et les dimensions du dispositif de capture, des conducteurs de descente, du réseau de prises de terre, de l'équipotentialité, des composants, etc. soient conformes à la présente norme.

## **E.4.2 Conception du SPF**

### **E.4.2.1 Procédure de planification**

Avant de procéder à toute étude détaillée du SPF, il convient que le concepteur du système de protection contre la foudre dispose d'informations de base, lorsque la pratique le permet, concernant la fonction, la conception générale, la mise en œuvre et l'emplacement de la structure.

Lorsque le SPF n'a pas déjà été spécifié par l'autorité de délivrance des licences, l'assureur ou l'acheteur, il convient que le concepteur du système de protection contre la foudre détermine si la structure doit être ou non protégée par un SPF en suivant les procédures d'évaluation des risques données dans la CEI 62305-2.

### **E.4.2.2 Consultation**

#### **E.4.2.2.1 Informations générales**

Dans les étapes de conception et de mise en œuvre d'une nouvelle structure, il convient que le concepteur et l'installateur du SPF, ainsi que toutes les autres personnes responsables des installations dans la structure, ou des règlements relatifs à l'usage de la structure (par exemple, l'acheteur, l'architecte et le constructeur) se consultent régulièrement.

Le diagramme de la Figure E.1 facilite la conception rationnelle d'un SPF.

Dans les étapes de conception et de mise en œuvre d'un SPF dans une structure existante, il convient de prévoir des consultations, dans la mesure où la pratique le permet, entre les personnes responsables de la structure, de son usage, des installations et des services entrants.

Les consultations peuvent avoir lieu entre le propriétaire, le maître d'œuvre de la construction de la structure ou leur représentant attitré. Pour les structures existantes, il convient que le concepteur du SPF fournisse les schémas qu'il convient que l'installateur modifie, si nécessaire.

Il convient que les consultations régulières entre les parties impliquées permettent de réaliser un SPF efficace au plus faible coût possible. Par exemple, la coordination des travaux de conception du SPF et de mise en œuvre permet souvent d'éviter les connexions des conducteurs d'équipotentialité et de réduire la longueur de ceux qui sont nécessaires. Les coûts de mise en œuvre sont souvent réduits de manière considérable par la disposition de cheminements communs pour des installations diverses dans une même structure.

La consultation est importante à toutes les étapes de la mise en œuvre d'une structure, des modifications du SPF pouvant être nécessaires du fait de changements dans la conception de la structure. La consultation est aussi nécessaire afin de parvenir à des accords destinés à faciliter la vérification des parties du SPF qui deviendront inaccessibles pour un contrôle visuel une fois la structure achevée. Lors de ces consultations, il convient de déterminer l'emplacement de toutes les connexions entre les composants naturels et le SPF. Les architectes sont normalement aptes à coordonner les consultations pour de nouveaux projets de construction.

#### **E.4.2.2 Principales parties consultées**

Il convient que le concepteur du système de protection contre la foudre mène des consultations techniques appropriées avec toutes les parties impliquées dans la conception et la mise en œuvre de la structure, y compris le propriétaire de cette dernière.

Il convient que les zones particulières de responsabilité pour l'installation complète du SPF soient définies par le concepteur de ce dernier en liaison avec l'architecte, l'électricien, le maître d'œuvre de la construction et l'installateur du SPF (fournisseur) et, le cas échéant, avec un conseiller historique, le propriétaire ou son représentant.

La répartition des responsabilités des différentes parties impliquées dans la gestion de la conception et de la mise en œuvre du SPF est particulièrement importante. Un exemple illustratif peut être l'étanchéité de la structure affectée par les composants du SPF montés sur le toit ou par les connexions des prises de terre sous la fondation de la structure.

##### **E.4.2.2.1 Architecte**

Il convient de parvenir à un accord avec l'architecte sur les points suivants:

- a) le cheminement de tous les conducteurs du SPF;
- b) les matériaux des composants du SPF;
- c) les détails de toutes les tuyauteries et gouttières métalliques, et de tous les rails et éléments similaires;
- d) les détails des matériels, appareils, installations susceptibles d'être installés sur, à l'intérieur ou à proximité de la structure, pouvant nécessiter le déplacement des installations ou une équipotentialité avec le SPF due à la distance de séparation. Les exemples d'installations sont les systèmes d'alarme et de sécurité, réseaux internes de communication, systèmes de traitement des données et des signaux, et circuits de radio et télévision;
- e) l'extension de tout service conducteur enterré susceptible d'influer sur l'emplacement du réseau de prises de terre et de devoir être placé à une distance de sécurité du SPF;
- f) la zone générale disponible pour le réseau de prises de terre;
- g) l'extension des travaux et la répartition des responsabilités pour les fixations primaires du SPF sur la structure. Par exemple, les responsabilités affectant la tenue à l'eau des matériaux (principalement ceux des toitures), etc.;
- h) les matériaux conducteurs à utiliser dans la structure, particulièrement tout métal continu pouvant devoir faire l'objet d'une équipotentialité avec le SPF, par exemple, liaisons, armature d'acier et services métalliques pénétrant, quittant ou internes à la structure;
- i) l'impact visuel du SPF;
- j) l'impact du SPF sur les matériaux de la structure;
- k) l'emplacement des points de connexion sur l'armature d'acier, particulièrement à la pénétration des parties conductrices extérieures (canalisations, écrans de câbles, etc.);
- l) les connexions du SPF au SPF des bâtiments adjacents.

#### **E.4.2.2.2 Services publics**

Il convient de parvenir à un accord avec l'opérateur ou les autorités responsables pour l'équipotentialité directe des services entrants, ou à défaut par des éclateurs d'isolement, dans la mesure où il peut exister des exigences contradictoires.

#### **E.4.2.2.3 Pompiers et services de sécurité**

Il convient de parvenir à un accord avec les pompiers et les services de sécurité sur les points suivants:

- l'emplacement des composants des systèmes d'alarme et des systèmes d'extinction d'incendie;
- les cheminements, matériaux de construction et étanchéité des canalisations;
- la méthode de protection à utiliser dans le cas d'une structure à toiture inflammable.

#### **E.4.2.2.4 Installateurs de réseaux de communication et d'antennes extérieures**

Il convient de parvenir à un accord avec l'installateur des réseaux de communication et d'antennes extérieures sur les points suivants:

- l'isolation ou l'équipotentialité des supports aériens et des gaines des câbles avec le SPF;
- le cheminement des câbles aériens et du réseau intérieur;
- l'installation de parafoudres.

#### **E.4.2.2.5 Constructeur et installateur**

Il convient de parvenir à un accord, sur les points suivants, entre le constructeur, l'installateur et les responsables de la mise en œuvre de la structure et de son matériel technique:

- a) la forme, la position et le nombre de fixations primaires du SPF à fournir par le constructeur;
- b) toute fixation fournie par le concepteur du SPF (l'installateur ou le fournisseur) à installer par le constructeur;
- c) l'emplacement des conducteurs du SPF à placer sous la structure;
- d) si des composants du SPF doivent être utilisés lors de l'étape de mise en œuvre, par exemple, le réseau de prises de terre permanent peut être utilisé pour les grues, treuils et autres matériels métalliques lors des travaux de construction sur le site;
- e) pour les structures en acier, le nombre et l'emplacement des liaisons et la forme de fixation à réaliser pour la connexion des réseaux de prises de terre et autres composants du SPF;
- f) si des enveloppes métalliques, lorsqu'elles sont utilisées, sont des composants appropriés pour le SPF;
- g) la méthode pour s'assurer de la continuité électrique des parties individuelles des enveloppes et leur méthode de connexion aux autres composants du SPF lorsque les enveloppes métalliques sont des composants appropriés pour le SPF;
- h) la nature et l'emplacement des services pénétrant dans la structure sur et en dessous du sol, y compris les systèmes de convoyage, les antennes de télévision et de radio et leurs supports métalliques, les tubes de foyer métalliques et les potences de nettoyage de vitres;
- i) la coordination entre le réseau de prises de terre du SPF de la structure et l'équipotentialité des services de puissance et de communication;
- j) l'emplacement et le nombre de mâts, de locaux communs sur le toit, par exemple, locaux ascenseurs, locaux de ventilation, de chauffage et de climatisation, réservoirs d'eau et autres éléments saillants;

- k) la méthode de construction des toitures et cloisons à employer afin de déterminer les méthodes de fixation appropriées des conducteurs du SPF, particulièrement pour maintenir l'étanchéité de la structure;
- l) la disposition d'ouvertures dans la structure pour permettre le libre passage de conducteurs de descente du SPF;
- m) la disposition de connexions d'équipotentialité avec les armatures d'acier, barres de renforcement et autres parties conductrices de la structure;
- n) la fréquence de vérifications des composants du SPF qui deviennent inaccessibles, par exemple, barres en acier renforcées incorporées dans le béton;
- o) le choix le plus judicieux du métal des conducteurs en tenant compte de la corrosion, en particulier au point de contact entre des métaux différents;
- p) l'accessibilité des bornes d'essai, la disposition d'une protection par des enveloppes non métalliques contre les chocs mécaniques ou le vol, l'affalement de mâts ou autres objets mobiles, des installations pour une inspection périodique, en particulier pour les cheminées;
- q) la préparation de schémas comportant les détails ci-dessus et montrant les emplacements de tous les conducteurs et composants principaux;
- r) l'emplacement des points de connexion sur l'armature d'acier.

### **E.4.2.3 Exigences électriques et mécaniques**

#### **E.4.2.3.1 Conception électrique**

Il convient que le concepteur du SPF choisisse le SPF approprié pour obtenir la construction la plus efficace. Cela signifie la prise en compte par l'architecte de la conception de la structure afin de déterminer s'il convient d'utiliser un SPF isolé ou non isolé, ou une combinaison des deux types de système de protection contre la foudre.

Il convient d'effectuer les essais de résistivité du sol de préférence avant la finalisation de la conception d'un SPF et de tenir compte des variations saisonnières de cette même résistivité.

Lors de la réalisation de la conception électrique de base du SPF, il convient de considérer l'utilisation de parties conductrices appropriées de la structure comme des composants naturels du SPF à des fins de renforcement ou d'application comme composants essentiels du SPF.

L'évaluation des propriétés électriques et physiques des composants naturels du SPF et l'assurance qu'ils sont conformes aux exigences minimales de la présente norme relève de la responsabilité du concepteur du SPF.

L'utilisation d'armatures métalliques, comme le béton armé, en tant que conducteurs de protection contre la foudre nécessite une attention toute particulière et la connaissance des normes nationales de construction applicables à la structure à protéger. L'armature métallique du béton armé peut être utilisée comme conducteurs SPF ou comme une couche conductrice armée pour réduire les champs électromagnétiques induits par la foudre dans la structure, les courants de foudre s'écoulant dans un SPF isolé. Ce type de SPF facilite la protection, en particulier pour les structures à usage particulier comportant des installations denses électriques et électroniques.

Une spécification de mise en œuvre stricte pour les conducteurs de descente est nécessaire pour satisfaire aux exigences minimales des composants naturels données en 5.3.5.

#### **E.4.2.3.2 Conception mécanique**

Il convient que le concepteur du système de protection contre la foudre consulte les personnes responsables de la structure sur les conceptions mécaniques après la réalisation de la conception électrique.

Des considérations esthétiques sont particulièrement importantes ainsi que le choix correct des matériaux pour limiter le risque de corrosion.

Les dimensions minimales des composants des différentes parties du système de protection contre la foudre sont données dans les Tableaux 3, 6, 7, 8 et 9.

Les matériaux utilisés pour les composants du SPF sont donnés dans le Tableau 5.

NOTE D'autres composants, tels que les tiges et fixations, peuvent être choisis par référence à la future série de la CEI 62561. Cela assure la prise en compte de l'élévation de température et de la tenue mécanique de ces composants.

Lorsque des écarts sont observés par rapport aux dimensions et matériaux spécifiés dans les Tableaux 5, 6 et 7, utilisant les paramètres électriques de décharge de foudre spécifiés pour la classe de SPF choisi indiqué au Tableau 1, il convient que le concepteur ou l'installateur du système de protection contre la foudre prévoie l'élévation de température des conducteurs du système de protection contre la foudre dans des conditions de décharge et qu'il dimensionne les conducteurs en conséquence.

Lorsqu'une élévation de température excessive constitue une source de préoccupation pour la surface adjacente des composants (en raison de sa combustibilité ou d'un point de fusion bas), il convient que des sections plus élevées de conducteurs soient spécifiées ou que d'autres dispositions de sécurité soient prises, telles que l'utilisation de fixations murales ou l'insertion de couches résistantes au feu.

Il convient que le concepteur du SPF identifie toutes les zones présentant un problème de corrosion et spécifie les mesures appropriées.

Les effets de la corrosion sur le SPF peuvent être réduits soit par augmentation des dimensions des matériaux, soit par utilisation de composants résistant à la corrosion ou par l'adoption d'autres mesures de protection contre la corrosion.

Il convient que le concepteur et l'installateur du SPF spécifient les fixations des conducteurs et les fixations qui résistent aux contraintes électrodynamiques du courant de foudre circulant dans les conducteurs et permettent également la dilatation et la contraction des conducteurs dues à l'élévation effective de température.

Ceci peut être réalisé en utilisant les composants soumis à essai conformément à la future série CEI 62561.

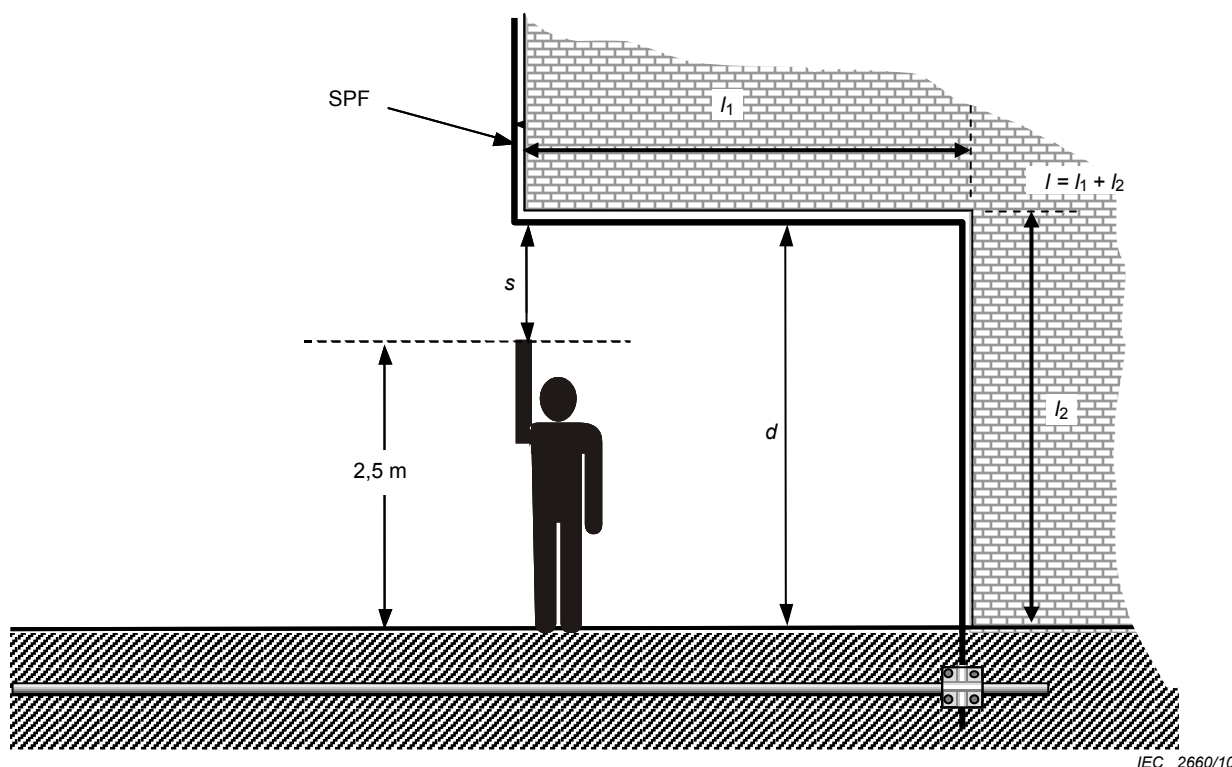
#### **E.4.2.3.3 Structure en encorbellement**

Pour réduire la probabilité qu'une personne se tenant sous une structure en encorbellement constitue un chemin alternatif pour le courant de foudre s'écoulant dans le conducteur de descente sur l'encorbellement, il convient que la distance réelle  $d$ , en mètres, satisfasse à la condition suivante:

$$d > 2,5 + s \quad (\text{E.1})$$

où  $s$  est la distance de séparation en mètres calculée conformément à 6.3.

La valeur 2,5 est représentative de la hauteur du bout des doigts d'une main d'un homme dont le bras est tendu à la verticale (voir Figure E.2).



#### Légende

- $d$  distance réelle  $> s$   
 $s$  distance de séparation selon 6.3  
 $l$  longueur pour le calcul de la distance de séparation  $s$

NOTE La hauteur de la personne, main levée, est prise égale à 2,5 m.

**Figure E.2 – Conception d'un système de protection contre la foudre pour l'encorbellement d'une structure**

Des boucles dans un conducteur, tel qu'illustré à la Figure E.2, peuvent induire des chutes de tension inductives élevées, susceptibles de provoquer le passage d'une décharge de foudre à travers la paroi d'une structure, entraînant de ce fait des dommages.

Si les conditions décrites en 6.3 ne sont pas satisfaites, il convient de prendre des dispositions pour un cheminement direct à travers la structure, aux points de ré-entrée des boucles du conducteur de protection contre la foudre, pour les conditions illustrées à la Figure E.2.

### E.4.3 Structures en béton armé

#### E.4.3.1 Généralités

Les structures industrielles comportent fréquemment des sections en béton armé réalisées sur place. Dans de nombreux autres cas, les parties de la structure peuvent consister en des panneaux préfabriqués de béton ou en des parties métalliques.

Une armature d'acier dans les structures en béton armé conformes à 4.3 peut être utilisée comme composant naturel du SPF.

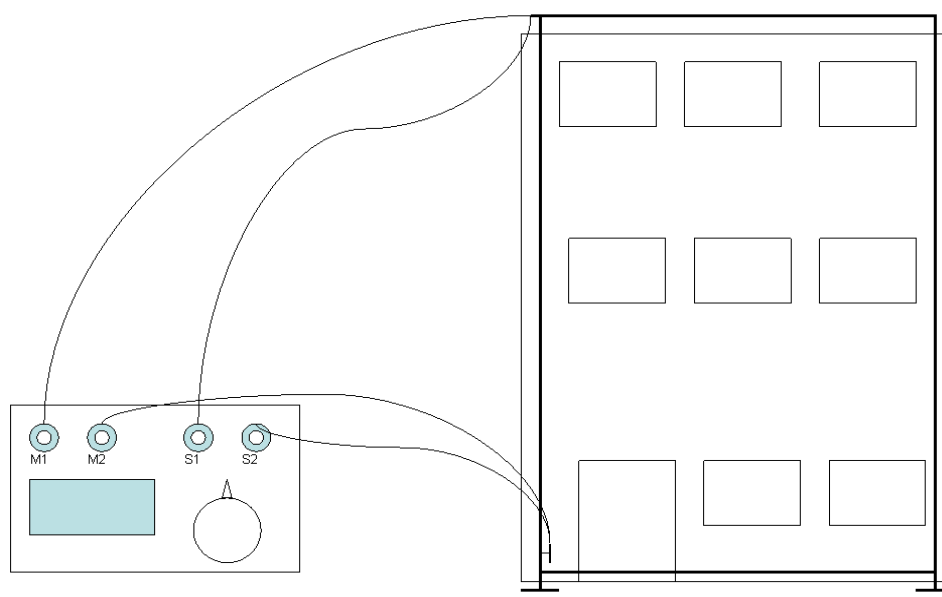
Ces composants naturels doivent satisfaire aux exigences applicables aux:

- conducteurs de descente conformes à 5.3;
- réseaux de prises de terre conformes à 5.4.



L'exigence relative à une résistance totale maximale de  $0,2 \Omega$  peut être vérifiée par la mesure de la résistance entre le dispositif de capture et une prise de terre au niveau du sol, en utilisant le matériel d'essai approprié à l'application capable d'effectuer des mesures dans une configuration à quatre conducteurs (deux conducteurs de mesure et deux conducteurs de détection) tel qu'illustré à la Figure E.3. Il convient que le courant de mesure qui s'écoule soit de l'ordre de 10 A environ.

NOTE 1 Lorsque l'accès aux zones d'essai ou le cheminement des câbles d'essai se révèlent difficiles, une barre dédiée d'une position élevée à faible peut être prévue afin de pourvoir effectuer les essais à chaque point concerné. Il est alors possible de calculer la résistance totale des jonctions plus la résistance du conducteur de descente.



IEC 2661/10

**Figure E.3 – Mesure de la résistance électrique totale**

De plus, il convient que les armatures d'acier conductrices du béton, lorsqu'elles sont convenablement utilisées, forment l'épine dorsale de l'équipotentialité du système de protection contre la foudre intérieur selon 6.2.

En outre, l'armature d'acier de la structure, peut, le cas échéant, jouer le rôle d'écran électromagnétique facilitant la protection des matériels électriques et électroniques contre les interférences dues aux champs électromagnétiques de foudre conformément à la CEI 62305-4.

Si l'armature du béton et toutes autres constructions en acier d'une structure sont connectées à la fois intérieurement et extérieurement de sorte que la continuité électrique est conforme à 4.3, une protection efficace peut être obtenue contre les dommages physiques.

Le courant qui s'écoule dans les tiges de renfort est supposé se répartir dans un grand nombre de chemins parallèles. L'impédance de la maille résultante est donc faible et, en conséquence, la chute de tension due au courant de foudre l'est également. Le champ magnétique généré par le passage du courant dans les mailles des armatures d'acier est faible en raison de la faible densité de courant et des cheminements parallèles des courants créant des champs électromagnétiques opposés. Les interférences avec les conducteurs électriques internes voisins sont réduites en conséquence.

NOTE Pour la protection contre les perturbations électromagnétiques, voir la CEI 62305-4 et la CEI/TR 61000-5-2<sup>[5]</sup>.

Lorsqu'une pièce est totalement enveloppée par des murs en béton armé dont la continuité électrique est conforme à 4.3, le champ magnétique dû au passage du courant de foudre dans les armatures à proximité des parois est plus faible que celui qui existerait dans une pièce d'une structure protégée avec des conducteurs de descente conventionnels. En raison des tensions induites réduites dans les boucles de conducteurs installées dans la pièce, la protection contre les défaillances des réseaux internes peut être améliorée aisément.

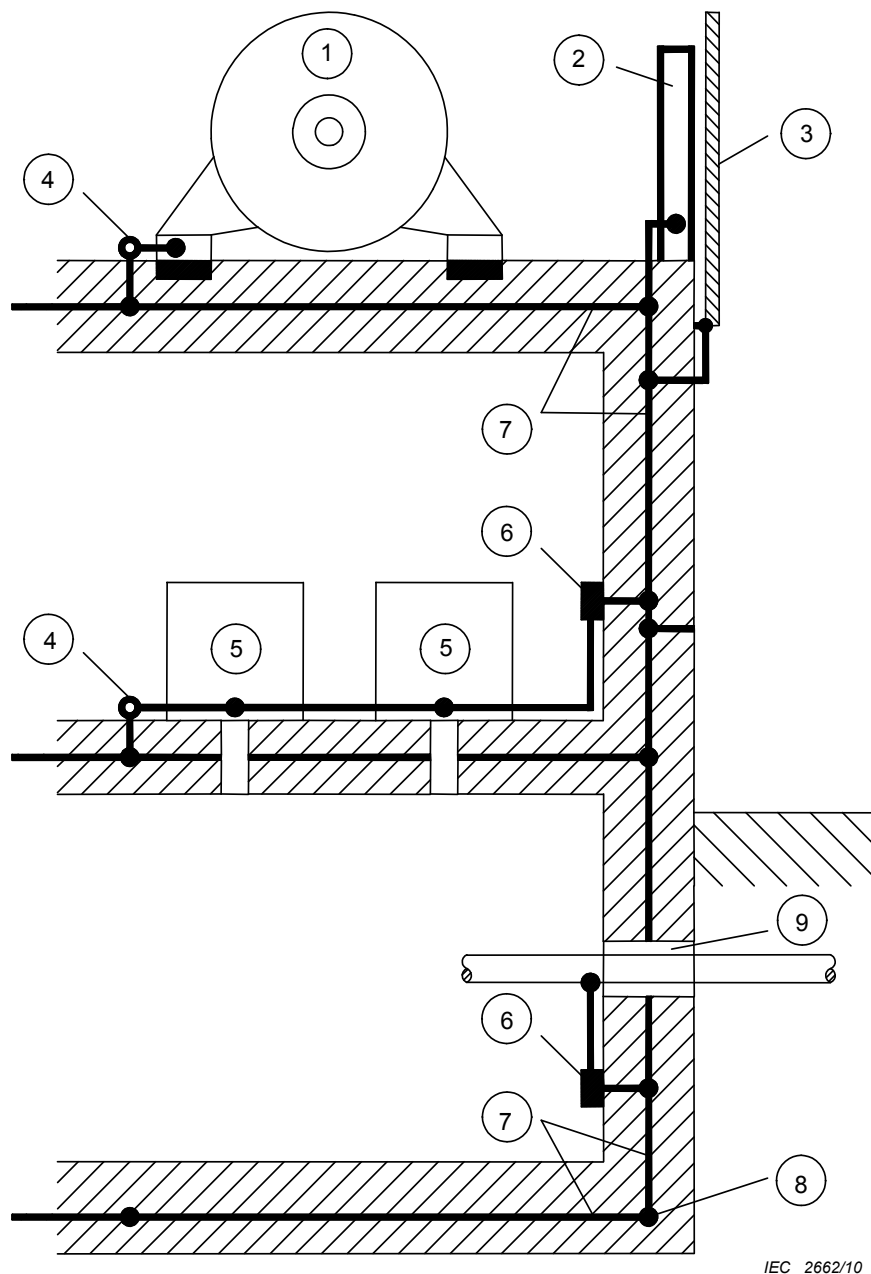
Après l'étape de mise en œuvre, il est quasiment impossible de déterminer l'emplacement et la mise en œuvre des armatures d'acier. Il convient par conséquent que l'emplacement des armatures d'acier pour la protection contre la foudre soit très bien documenté. Cela peut être réalisé par l'utilisation de schémas, descriptions et photographies prises lors de la mise en œuvre.

#### **E.4.3.2 Utilisation des armatures en béton**

Il convient de prévoir des conducteurs d'équipotentialité ou des prises de terre afin de fournir une connexion électrique fiable aux armatures d'acier.

Les cadres conducteurs qui, par exemple, sont reliés à la structure peuvent être utilisés comme conducteurs naturels du SPF et comme points de connexion pour le réseau interne d'équipotentialité.

Un exemple pratique est l'utilisation d'ancrages de fondation, rails de machines, appareils ou enveloppes, permettant de réaliser l'équipotentialité. La Figure E.4 illustre la disposition des armatures et des barres d'équipotentialité dans une structure industrielle.



IEC 2662/10

### Légende

- |                                       |  |
|---------------------------------------|--|
| 1 matériel électrique de puissance    | 6 barre d'équipotentialité   |
| 2 poutre métallique                   | 7 armature d'acier dans le béton (avec conducteurs maillés superposés) |
| 3 enveloppe métallique de façade      | 8 prise de terre à fond de fouille                                     |
| 4 borne d'équipotentialité            | 9 point de pénétration commun des différents services                  |
| 5 matériel électrique ou électronique |  |

**Figure E.4 – Equipotentialité dans une structure avec armature d'acier**

Il convient que l'emplacement des bornes d'équipotentialité de la structure soit spécifié au stade initial de la conception du SPF et signalé au maître d'œuvre des travaux de génie civil.

Il convient de consulter le maître d'œuvre pour déterminer si le soudage aux tiges de renfort est admis, si une fixation par serrage est possible, ou s'il convient d'installer des conducteurs supplémentaires. Il convient que tous les travaux nécessaires soient réalisés et inspectés avant le coulage du béton (c'est-à-dire qu'il convient de réaliser la planification du SPF conjointement à la conception de la structure).

### E.4.3.3 Soudage ou serrage sur les tiges de renfort en acier

Il convient de réaliser la continuité des tiges de renfort par serrage ou soudure.

NOTE Des brides de serrage conformes à la future série CEI 62561 sont appropriées.

La soudure aux tiges de renfort n'est permise qu'avec l'accord du concepteur des travaux de génie civil. Il convient que les tiges de renfort soient soudées sur une longueur au moins égale à 50 mm (voir Figure E.5).

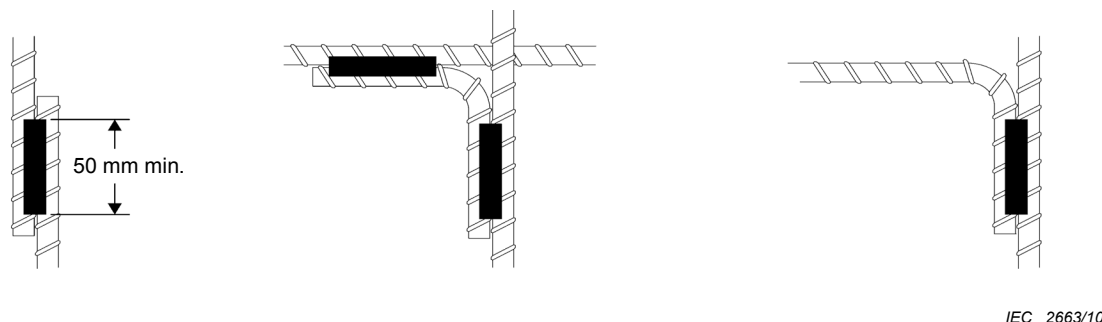


Figure E.5a - Jonctions soudées (adaptées au courant de foudre et à la CEM)

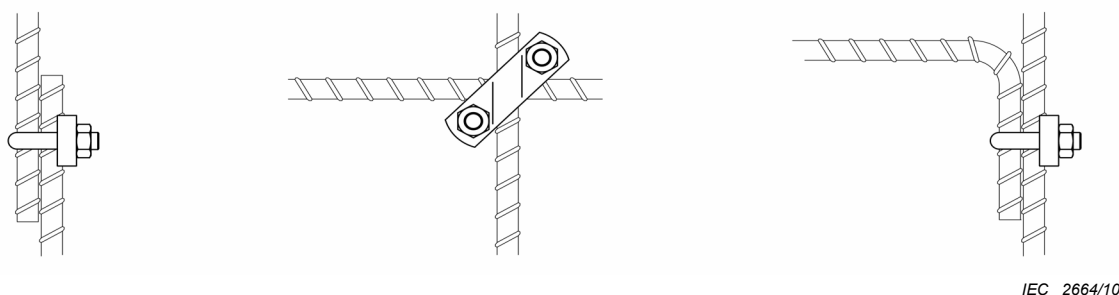


Figure E.5b - Jonctions par serrage conformes à la future CEI 62561 (adaptées au courant de foudre et à la CEM)

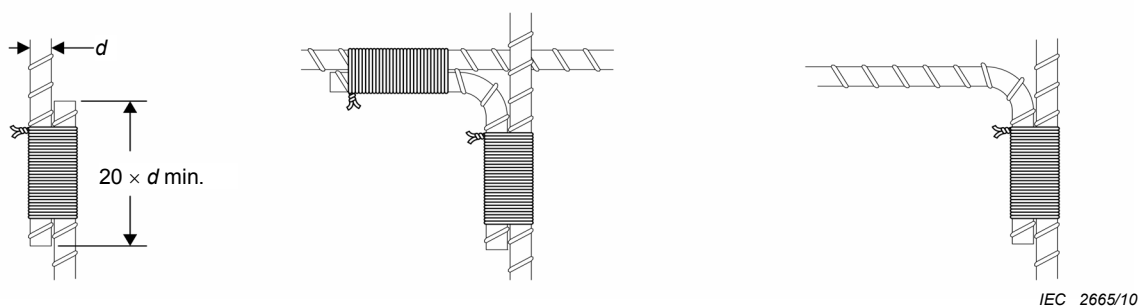


Figure E.5c - Jonctions liées (adaptées au courant de foudre et à la CEM)

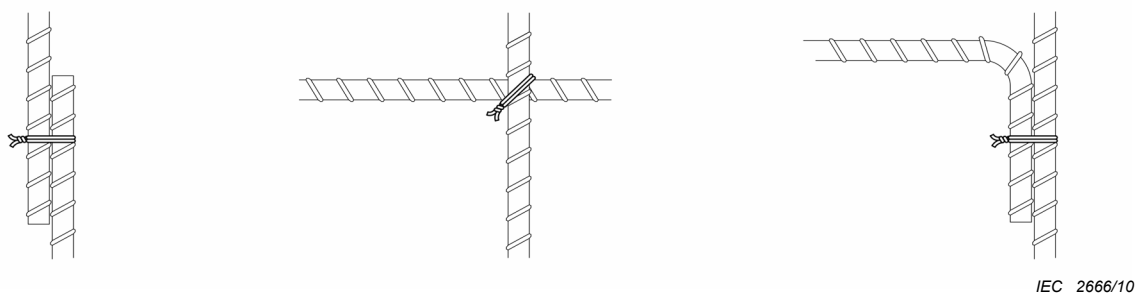


Figure E.5d - Jonctions ligaturées (adaptées uniquement à la CEM)

Figure E.5 - Méthodes typiques de jonction des tiges de renfort dans le béton (lorsque cela est admis)

Il convient que la connexion aux composants extérieurs du système de protection contre la foudre soit réalisée par une tige de renfort faisant saillie dans le béton, à un emplacement prévu ou par une tige de connexion ou une prise de terre traversant le béton et soudée ou serrée sur les tiges de renfort.

Lorsque des connexions entre les tiges de renfort du béton et le conducteur d'équipotentialité sont réalisées par serrage, il convient de toujours utiliser deux conducteurs d'équipotentialité (ou un conducteur d'équipotentialité avec deux fixations à des barres de renforcement différentes) à des fins de sécurité, dans la mesure où les connexions ne peuvent pas être inspectées après durcissement du béton. Si le conducteur d'équipotentialité et la tige de renfort sont des éléments métalliques de nature différente, il convient que la zone de connexion soit complètement enrobée par un composé antimoisissure.

La Figure E.6 montre des fixations utilisées pour les connexions des tiges de renfort et des conducteurs pleins et plats. La Figure E.7 montre des détails de connexion d'un système externe aux tiges de renfort.

Il convient de dimensionner les conducteurs d'équipotentialité pour un courant partiel de foudre s'écoulant au point de jonction (voir Tableaux 8 et 9).

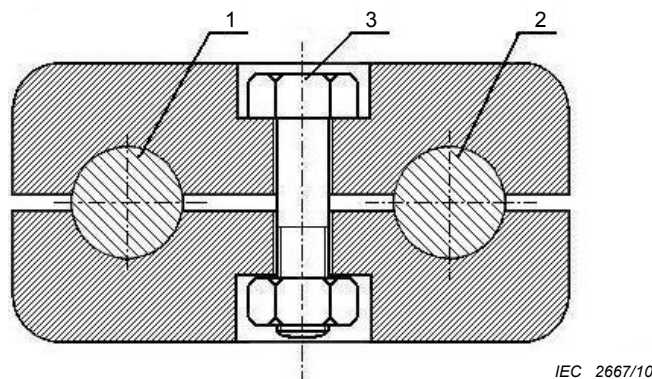


Figure E.6a – Conducteur rond à une tige de renfort

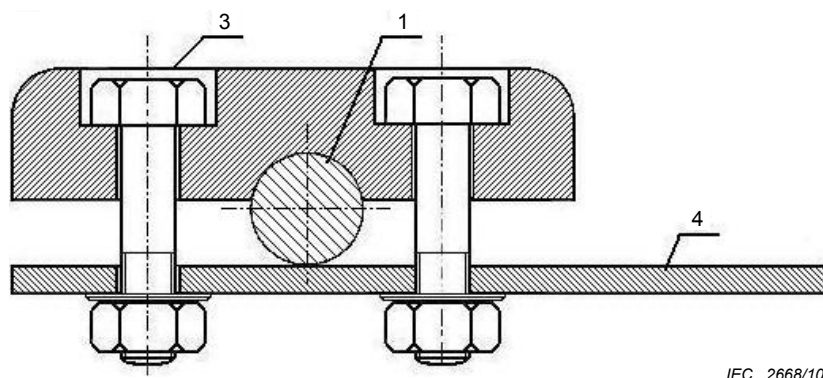


Figure E.6b – Conducteur plein et plat à une tige de renfort

#### Légende

- 1 tige de renfort
- 2 conducteur rond
- 3 vis
- 4 conducteur plat

**Figure E.6 – Exemple de fixations utilisées comme connexions entre les tiges de renfort et les conducteurs**

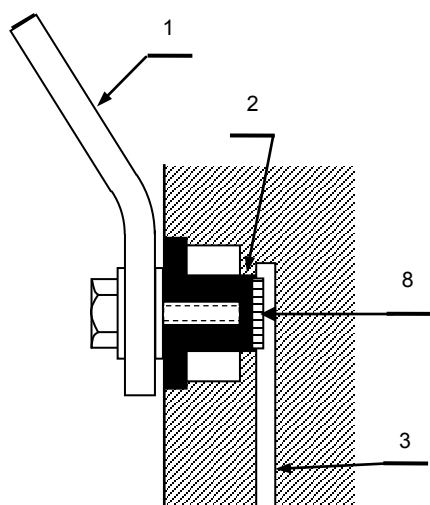


Figure E.7a

IEC 2669/10

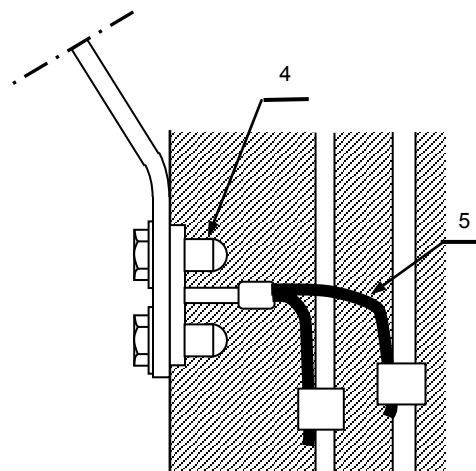


Figure E.7b

IEC 2670/10

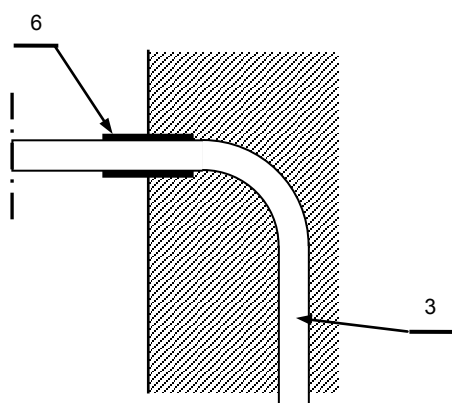


Figure E.7c

IEC 2671/10

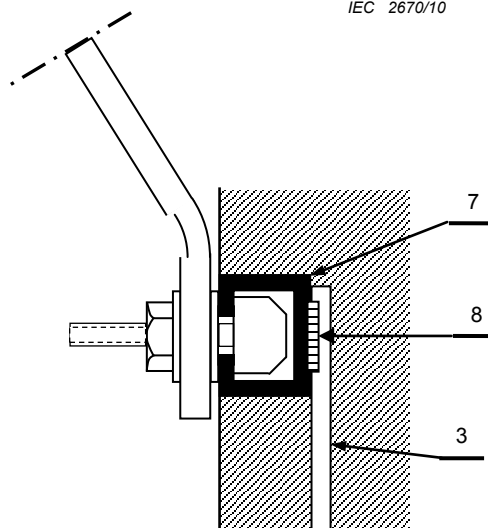


Figure E.7d

IEC 2672/10

**Légende**

- 1 conducteur d'équipotentialité
- 2 cosse soudée au connecteur d'équipotentialité en acier
- 3 connecteur d'équipotentialité en acier\*
- 4 fonte pour un point d'équipotentialité non ferreux
- 5 conducteur d'équipotentialité à torons en cuivre
- 6 mesure de protection contre la corrosion
- 7 acier-C (barre de montage en forme de C)
- 8 soudure

\* Le connecteur d'équipotentialité en acier est relié en de nombreux points par soudure ou fixation aux barres de renforcement en acier.

NOTE La disposition indiquée en Figure E.7c ne constitue pas une solution généralement acceptée en termes de bonnes pratiques d'ingénierie.

**Figure E.7 – Exemples de points de connexion à l'armature d'un mur en béton armé**

#### **E.4.3.4 Matériaux**

Les matériaux suivants peuvent être utilisés comme conducteurs supplémentaires installés dans le béton à des fins de protection contre la foudre: acier, acier doux, acier galvanisé, acier inoxydable, cuivre et acier revêtu de cuivre.

Le comportement d'une couche d'acier galvanisé dans le béton est très complexe, notamment dans le béton contenant des chlorures. Le zinc se corrode rapidement au contact de l'armature, et peut, dans certaines conditions, endommager le béton. Il convient par conséquent de ne pas utiliser l'acier galvanisé dans les zones côtières et où l'eau souterraine peut contenir du sel. L'utilisation de l'acier galvanisé dans le béton nécessitant l'évaluation de nombreux facteurs externes, il convient d'utiliser ce matériau uniquement après une analyse minutieuse. Compte tenu de ces éléments, il est préférable d'utiliser les autres matériaux mentionnés et non l'acier galvanisé.

Afin d'éviter toute confusion entre les différents types de tiges en acier dans le béton, il est recommandé d'utiliser des tiges rondes en acier d'au moins 8 mm de diamètre et de surface lisse comme conducteurs supplémentaires, par opposition à la surface rainurée ordinaire des tiges de renfort.

#### **E.4.3.5 Corrosion**

Lorsque des conducteurs d'équipotentialité pour armature d'acier pénètrent dans un mur en béton, il convient d'accorder une attention toute particulière à la protection contre la corrosion chimique.

La mesure de protection la plus simple contre la corrosion est la mise en œuvre d'un ruban de silicone ou d'une finition en bitume à proximité du point de sortie de la paroi, par exemple, à 50 mm ou plus à l'intérieur de la paroi et 50 mm ou plus à l'extérieur de la paroi (voir Figure E.7c). Toutefois, cette mesure n'est généralement pas considérée comme une solution technique correcte. Une meilleure solution consiste à utiliser des connecteurs brevetés tel qu'illustré dans les autres exemples de la Figure E.7.

Lorsque des conducteurs d'équipotentialité en cuivre pénètrent dans le mur en béton, il n'existe pas de risque de corrosion si un conducteur massif, un point de liaison breveté, un revêtement en PVC ou un conducteur isolé est utilisé (voir Figure E.7b). Pour les conducteurs d'équipotentialité en acier inoxydable conformes aux Tableaux 6 et 7, aucune mesure anticorrosive n'est nécessaire.

Dans le cas d'environnements très agressifs, il est recommandé que le conducteur d'équipotentialité pénétrant dans la paroi soit en acier inoxydable.

NOTE L'acier galvanisé, à l'extérieur du béton, en contact avec les armatures d'acier du béton peut, dans certains cas, entraîner des dommages pour le béton.

Lorsque des écrous en fonte ou des pièces en acier doux sont utilisés, il convient de les protéger contre la corrosion à l'extérieur de la paroi. Il convient d'utiliser des rondelles de sécurité dentées pour assurer un contact électrique dans le revêtement de protection de l'écrou (voir Figure E.7a).

Pour plus d'informations concernant la protection contre la corrosion, voir E.5.6.2.2.2.

#### **E.4.3.6 Connexions**

Des études montrent que des ligatures ne sont pas appropriées aux connexions d'écoulement de courant de foudre. Il existe un risque d'explosion et d'endommagement du béton par les ligatures. Toutefois, des études précédentes laissent supposer qu'au moins un tiers de la ligature forme un chemin électrique conducteur assurant ainsi l'interconnexion électrique de la quasi-totalité des tiges de renfort. Des mesures effectuées sur des structures en béton armé ont confirmé ce résultat.

Ainsi, pour les connexions d'écoulement du courant de foudre, la soudure et le serrage représentent les méthodes préférentielles. Les ligatures, utilisées comme connexion, ne sont appropriées que pour les conducteurs supplémentaires d'équipotentialité et de CEM.

Il convient que les connexions des circuits extérieurs aux armatures interconnectées soient réalisées par serrage ou soudure.

Il convient que les soudures entre les barres de renforcement (voir Figure E.5) dans le béton aient une longueur au moins égale à 50 mm. Il convient que les tiges de croisement soient courbées sur au moins 70 mm en parallèle avant la soudure.

NOTE Lorsqu'il est admis d'effectuer une soudure, les soudages conventionnel et exothermique sont acceptables.

Lorsque des tiges soudées doivent être encastrées dans le béton, il ne suffit pas de souder aux points de croisement avec des longueurs de cordon de soudure de quelques millimètres uniquement. Ces soudures se cassent fréquemment lors de la projection du béton.

La Figure E.5 montre un soudage approprié des conducteurs d'équipotentialité aux tiges de renfort du béton armé.

Lorsque la soudure aux tiges de renfort n'est pas admise, il convient d'utiliser des brides de serrage ou des conducteurs supplémentaires dédiés. Ces conducteurs supplémentaires peuvent être en acier, acier doux, acier galvanisé ou en cuivre. Il convient de connecter les conducteurs supplémentaires à un grand nombre de tiges de renfort par ligatures ou serrages afin de bénéficier des possibilités de protection par écran de l'armature d'acier.

#### **E.4.3.7 Conducteurs de descente**

Les tiges de renfort ou les colonnes en béton et les ossatures en acier peuvent être utilisées comme conducteurs de descente naturels. Il convient de prévoir une borne de jonction au niveau de la toiture afin de faciliter la connexion du dispositif de capture, ainsi que des bornes de jonction pour faciliter la liaison avec le réseau de prises de terre sauf si la boucle à fond de fouille dans le béton armé est utilisée comme prise de terre unique.

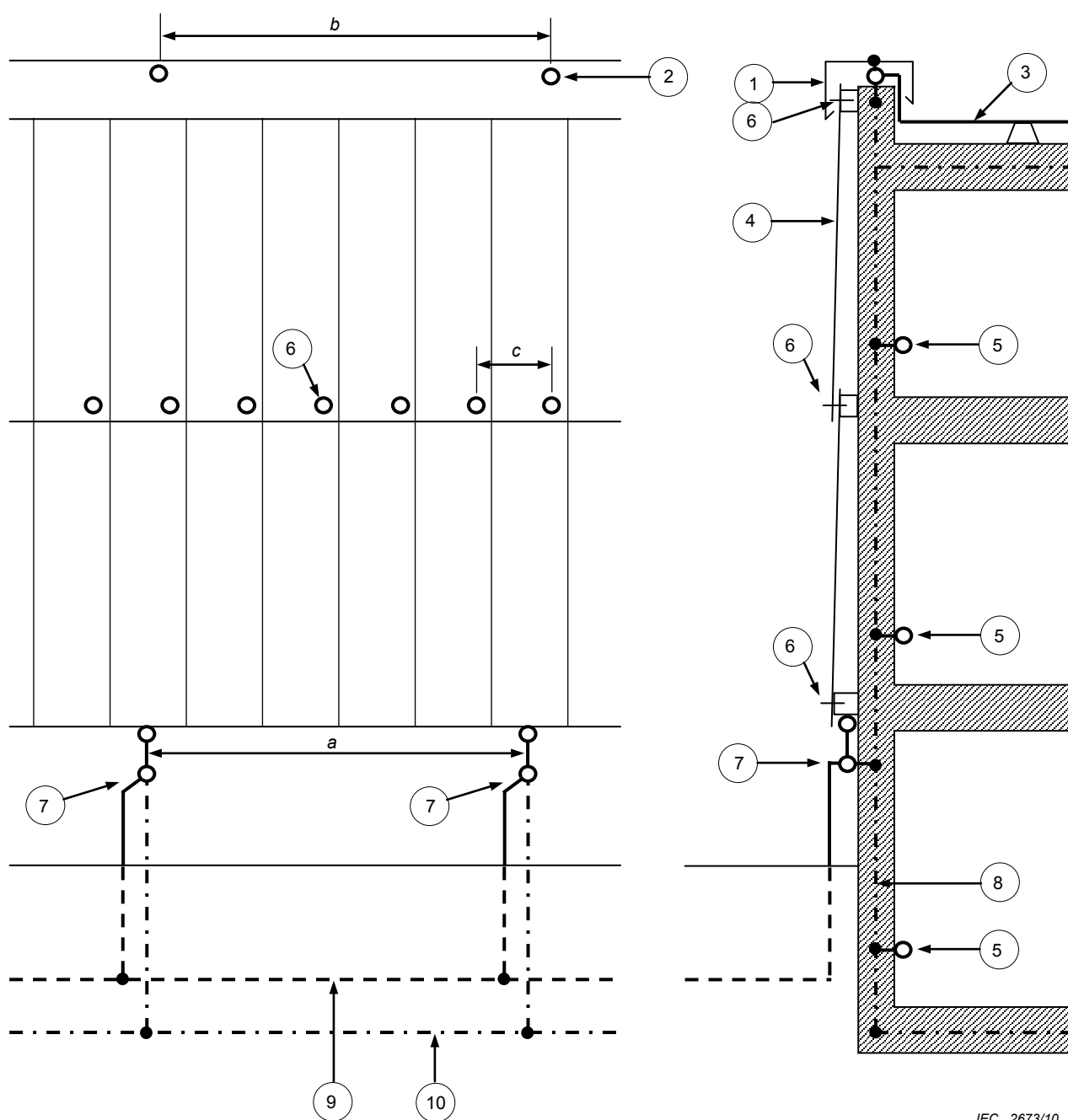
Lors de l'utilisation d'une tige spécifique de l'armature d'acier comme conducteur de descente, il convient d'accorder une attention toute particulière au cheminement vers la terre afin de s'assurer que la tige située au même emplacement est utilisée tout au long dudit cheminement, fournissant ainsi une continuité électrique directe.

Lorsque la continuité verticale des conducteurs de descente naturels qui fournissent un chemin direct entre la toiture et le sol ne peut être garantie, il convient d'utiliser des conducteurs supplémentaires dédiés. Il convient de ligaturer ou de serrer ces conducteurs supplémentaires sur l'armature d'acier.

En cas de doute sur le chemin le plus direct pour le conducteur de descente (c'est-à-dire, dans des bâtiments existants), il convient d'ajouter un réseau de conducteurs de descente extérieurs.

Les Figures E.4 et E.8 montrent des détails de mise en œuvre des composants naturels du SPF pour des structures en béton armé. Voir également E.5.4.3.2 pour l'utilisation des tiges de renfort en béton armé comme prises de terre à fond de fouille.





IEC 2673/10

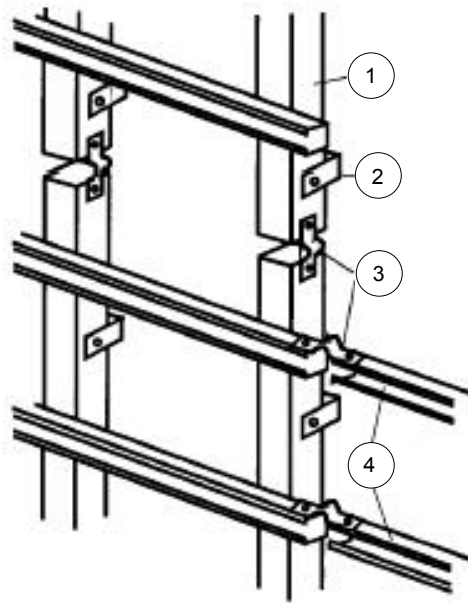
### Légende

- 1 revêtement métallique du parapet de toiture
- 2 connexion entre panneaux de façade et dispositif de capture
- 3 conducteur de capture horizontal
- 4 panneau métallique de façade
- 5 barre d'équipotentialité du SPF intérieur
- 6 jonction entre panneaux de façade et cadre d'appui
- 7 borne d'essai
- 8 armature d'acier en béton
- 9 prise de terre B en boucle de type B
- 10 prise de terre à fond de fouille

Un exemple pratique peut utiliser les dimensions suivantes  $a = 5 \text{ m}$   $b = 5 \text{ m}$   $c = 1 \text{ m}$ .

NOTE Pour les bornes entre les dalles, voir Figure E.35.

**Figure E.8a – Utilisation d'un revêtement métallique de façade comme conducteur de descente naturelle d'une structure d'acier en béton armé**



IEC 2674/10

#### Légende

- 1 cadre vertical
- 2 fixation murale
- 3 connecteurs
- 4 cadre horizontal

Figure E.8b – Connexion des supports de façade

#### Figure E.8 – Utilisation d'une façade métallique comme réseau de conducteurs de descente naturels et connexion des supports de façade

Il convient que les conducteurs de descente intérieurs dans les colonnes individuelles et les parois soient interconnectés au moyen de leurs tiges de renfort en acier et qu'ils soient conformes aux conditions de continuité électrique conformément à 4.3.

Il convient que les tiges de renfort en acier d'éléments préfabriqués en béton individuels et les tiges de renfort de colonnes et de murs en béton soient reliées à celles des planchers et toitures avant leur coulage.

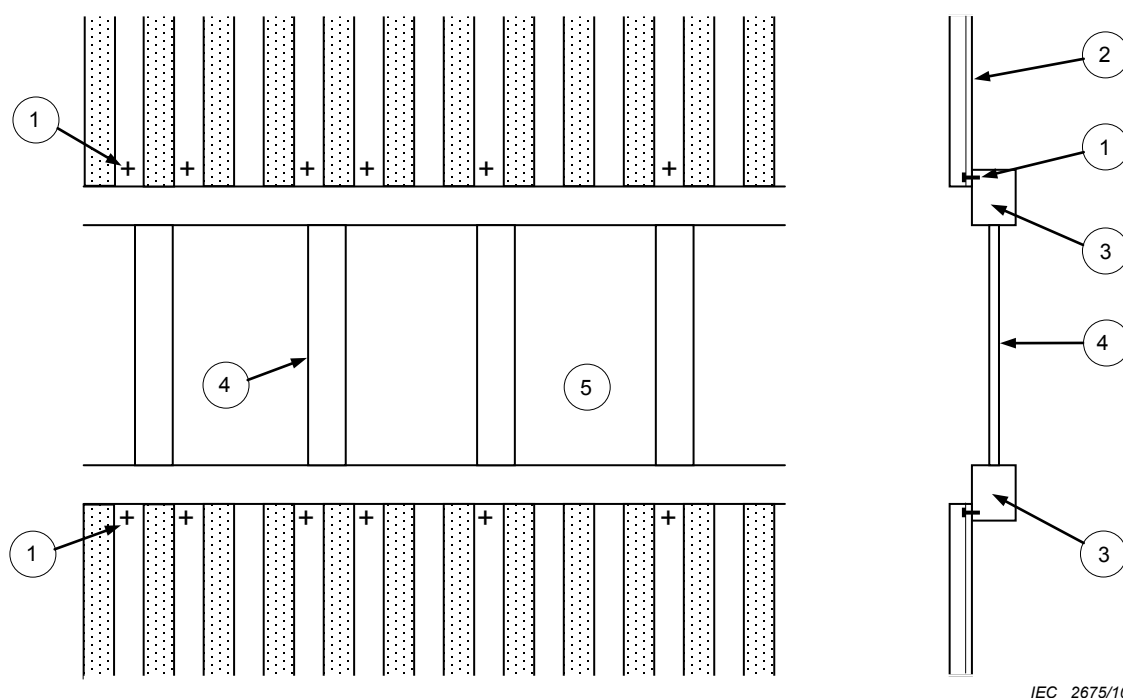
De nombreuses parties conductrices continues existent dans les tiges de renfort de tous les éléments de construction coulés sur place dans le béton, par exemple, parois, colonnes, escaliers et puits d'ascenseurs. Si les planchers sont constitués de béton durci à l'air, il convient que les conducteurs de descente des colonnes et parois individuelles soient interconnectés au moyen de leurs tiges de renfort pour assurer une répartition régulière du courant de foudre. Si les planchers sont constitués d'éléments en béton préfabriqués, de telles connexions ne sont généralement pas disponibles. Cependant, il est généralement possible de préparer, à un faible coût supplémentaire, des connexions et des bornes destinées à relier les tiges de renfort des éléments en béton individuels préfabriqués à celles des colonnes et des parois avant le coulage des planchers par insertion de tiges de renfort supplémentaires.

Les éléments en béton préfabriqués utilisés comme éléments de façade suspendus ne sont pas efficaces pour la protection contre la foudre dans la mesure où aucune connexion de liaison n'est fournie. Si une protection contre la foudre très efficace doit être prévue pour les matériels situés à l'intérieur d'une structure, par exemple, des immeubles de bureaux contenant de nombreux matériels de traitement des données et réseaux informatiques, il est nécessaire de relier entre elles les tiges de renfort de ces éléments de façade et de les relier

aux tiges de renfort des éléments porteurs de la structure de manière telle que le courant de foudre puisse s'écouler dans toute la surface extérieure de la structure (voir Figure E.4).

Si un bandeau continu de baies est installé dans les parois extérieures d'une structure, il est essentiel de décider s'il convient de réaliser la connexion des éléments préfabriqués en béton au-dessus et en dessous du bandeau continu de baies au moyen des colonnes existantes ou s'il convient que ces éléments soient interconnectés selon des intervalles plus rapprochés correspondant à la pente des baies.

Une plus grande intégration des parties conductrices dans les parois extérieures améliore la protection électromagnétique à l'intérieur de la structure. La Figure E.9 montre la connexion d'un bandeau continu de baies à la couverture métallique d'une façade.



#### Légende

- 1 connexion entre un panneau de façade et le bandeau métallique de baies
- 2 panneau métallique de façade
- 3 bandeau métallique horizontal
- 4 bandeau métallique vertical
- 5 baie

**Figure E.9 – Connexion du bandeau continu de baies à la couverture métallique d'une façade**

Si des structures en acier sont utilisées comme conducteurs de descente, il convient que chaque colonne en acier soit connectée aux tiges de renfort en acier de la fondation en béton au moyen de points de liaison tel qu'illustré à la Figure E.7.

NOTE Pour plus d'informations sur l'utilisation de l'armature en acier des parois de structures à des fins de protection électromagnétique, voir la CEI 62305-4.

Dans le cas de bâtiments importants peu élevés, comme des halls, la toiture est supportée non seulement par le périmètre du bâtiment mais également par des colonnes intérieures. Il convient que les colonnes conductrices soient reliées au dispositif de capture en leur sommet et au réseau d'équipotentialité au sol, créant ainsi des conducteurs de descente intérieurs; ceci permet d'éviter la formation d'étincelles dangereuses à l'intérieur du bâtiment. Des perturbations électromagnétiques plus importantes apparaissent au voisinage de ces conducteurs de descente intérieurs.

Les constructions à ossature en acier utilisent en général des poutres de toiture en acier reliées par assemblages boulonnés. Toutes les parties en acier boulonnées peuvent être considérées interconnectées électriquement à condition que les boulons soient serrés avec l'effort nécessaire pour réaliser la résistance mécanique. La mince couche de peinture est percée par la décharge initiale du courant de foudre et forme ainsi un pont conducteur.

La connexion électrique peut être améliorée en dénudant la base des têtes de boulons, des écrous et des rondelles. Une amélioration complémentaire peut être réalisée par un cordon de soudure d'une longueur d'environ 50 mm après finition de l'assemblage de la structure.

Sur les structures existantes avec de nombreuses parties conductrices dans ou sur les parois extérieures, il convient d'établir la continuité des parties conductrices destinées à être utilisées comme conducteurs de descente. Cette technique est également recommandée lorsque des besoins importants en termes d'aspects culturels de la conception architecturale doivent être maintenus, outre les besoins de protection contre l'IEMF.

Il convient également de prévoir des barres d'équipotentialité interconnectées. Il convient que chaque barre d'équipotentialité soit connectée aux parties conductrices des murs extérieurs et du plancher. Ceci peut déjà être réalisé par les barres de renforcement horizontales au niveau du sol et chaque niveau de plancher suivant.

Il convient, si possible, de prévoir un point de connexion à l'armature d'acier du plancher ou de la paroi. Il convient que la connexion soit effectuée sur au moins trois tiges de renforcement.

#### **E.4.3.8 Equipotentialité**

Lorsqu'un grand nombre de connexions d'équipotentialité sur l'armature est prescrit sur divers niveaux et lorsqu'un soin particulier est accordé à l'obtention des passages de courant à faible inductance, par l'utilisation des tiges de renfort des murs en béton pour réaliser l'équipotentialité et pour la protection de l'espace intérieur de la structure, il convient d'installer les conducteurs de ceinturage dans ou à l'extérieur du béton sur des niveaux distincts. Il convient que les conducteurs de ceinturage soient interconnectés au moyen de tiges verticales à des intervalles au plus égaux à 10 m.

Il convient de préférer cette disposition en raison de sa plus grande fiabilité, particulièrement lorsque l'amplitude du courant de perturbation n'est pas connue.

Un réseau de conducteurs de connexion maillés est également recommandé. Il convient de concevoir les connexions de sorte qu'elles écoulent des courants élevés en cas de défaut de l'alimentation.

Dans les structures importantes, la barre d'équipotentialité sert de conducteur de ceinturage. Dans ces cas, il convient que les points de connexion aux barres de renforcement en acier soient réalisés tous les 10 m. En dehors des mesures susceptibles d'être prescrites pour les fondations en 6.2.2 a), aucune autre mesure spéciale n'est nécessaire pour la connexion de l'armature de la structure au SPF.

#### **E.4.3.9 Fondation utilisée comme prise de terre**

Pour des structures importantes et des installations industrielles, la fondation est généralement armée. Les tiges de renfort de la fondation, les dalles de fondation et les murs extérieurs sous la surface du sol de ce type de structures constituent une excellente prise de terre à fond de fouille à condition de satisfaire aux exigences de 5.4.

Les tiges de renfort de la fondation et les murs enterrés peuvent être utilisés comme prise de terre à fond de fouille.

Cette méthode permet une bonne prise de terre au moindre coût. De plus, l'enveloppe métallique constituée de l'armature d'acier de la structure offre en général une bonne référence d'équipotentialité pour l'alimentation électrique et les installations de télécommunication et électroniques de la structure.

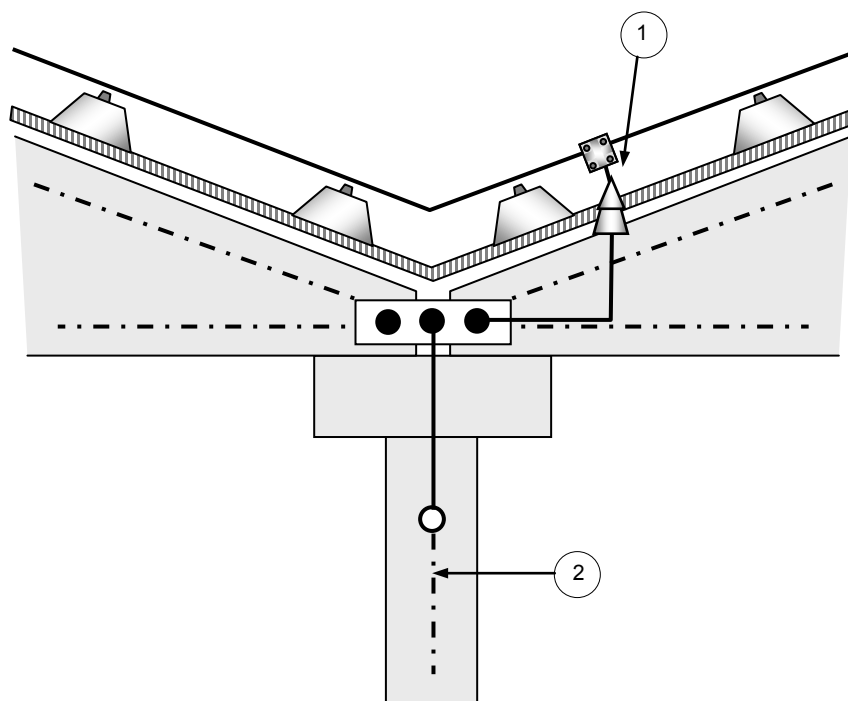
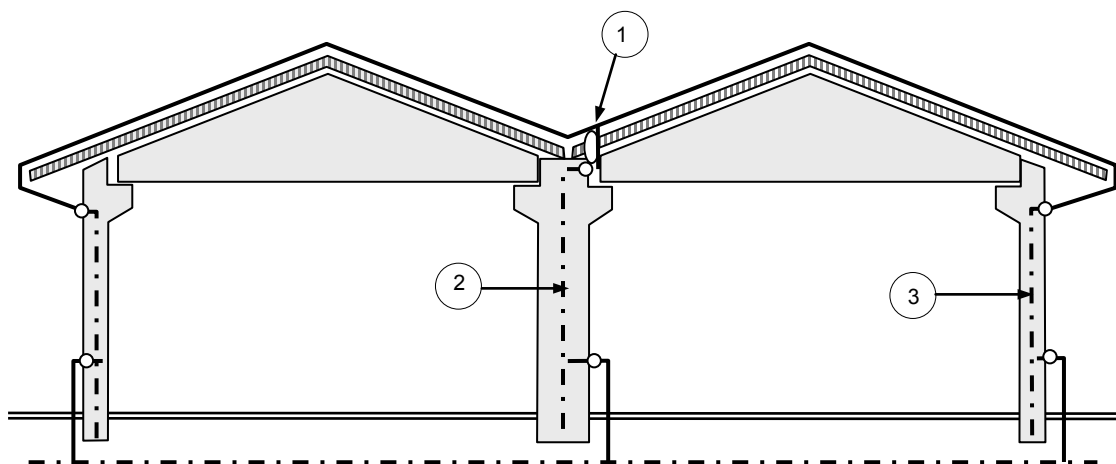
Outre l'interconnexion des tiges de renfort par des ligatures, l'installation d'un réseau maillé métallique supplémentaire est recommandée pour assurer des liaisons fiables. Il convient que ce réseau supplémentaire soit également ligaturé à l'armature d'acier. Il convient que les bornes des conducteurs pour les connexions des conducteurs de descente extérieurs ou des éléments de la structure utilisés comme conducteurs de descente et pour la connexion des prises de terre installées à l'extérieur soient sorties du béton en des points appropriés.

L'armature d'une fondation est généralement électriquement conductrice sauf dans les cas où des intervalles sont aménagés entre les différentes parties de la structure pour permettre différents taux de prise.

Il convient que les intervalles entre les parties de structure conductrices soient pontés par des conducteurs d'équipotentialité conformes au Tableau 6 en utilisant des fixations et des bornes conformément à 5.5.

Il convient que les tiges de renfort des colonnes et des murs en béton disposées sur une fondation soient reliées aux tiges de renfort de la fondation et aux parties conductrices de la toiture.

La Figure E.10 montre la conception du SPF d'une structure en béton armé avec des colonnes et des murs en béton, et une toiture comportant des parties conductrices.



IEC 2676/10

**Légende**

- 1 conducteur SPF traversant un système d'étanchéité
- 2 armature d'acier d'une colonne en béton
- 3 armature d'acier de murs en béton

NOTE L'armature d'acier d'une colonne intérieure devient un conducteur de descente intérieur naturel lorsque ladite armature de la colonne est reliée au dispositif de capture et à la prise de terre du SPF. Il convient de prendre en compte l'environnement électromagnétique à proximité de la colonne lorsque des matériels électroniques sensibles sont installés à proximité de la colonne.

**Figure E.10 – Conducteurs de descente intérieurs dans des structures industrielles**

Lorsque le soudage de l'armature n'est pas admis, il convient d'installer des conducteurs supplémentaires dans les colonnes, ou il convient d'effectuer les connexions au moyen des bornes d'essai. Il convient que ces conducteurs supplémentaires soient ligaturés ou fixés fermement à l'armature d'acier.

Après achèvement de la construction et connexion de tous les services au bâtiment via une barre d'équipotentialité, il est souvent impossible (dans la pratique) de mesurer la résistance de la prise de terre dans le cadre du programme de maintenance.

Si, dans certaines conditions, il n'est pas possible de mesurer la résistance de la prise de terre à fond de fouille, l'installation de une ou plusieurs prises de terre de référence proches de la structure donne la possibilité de vérifier les modifications d'environnement du réseau de prises de terre sur plusieurs années en réalisant un circuit de mesure entre la prise de terre et le réseau de prises de terre à fond de fouille. Toutefois, une bonne équipotentialité constitue le principal avantage du réseau de prises de terre à fond de fouille et la résistance à la terre tend à être moins importante.

#### **E.4.3.10 Procédures d'installation**

Il convient que tous les conducteurs de protection contre la foudre et leurs fixations soient mis en place par l'installateur du SPF.

Il convient qu'un accord avec le maître d'œuvre de travaux de génie civil soit obtenu en temps utile pour s'assurer que le calendrier de la mise en œuvre n'est pas prolongé du fait du retard de l'installation du SPF avant le coulage du béton.

Il convient que, lors de la mise en œuvre, des mesures soient effectuées régulièrement et que l'installateur du SPF supervise la mise en œuvre (voir 4.3).

#### **E.4.3.11 Panneaux préfabriqués en béton armé**

Si de tels panneaux sont utilisés pour la protection contre la foudre, par exemple, comme conducteurs de descente pour la protection ou comme conducteurs d'équipotentialité, il convient que les points de connexion conformes à la Figure E.7 soient fixés sur lesdits panneaux pour permettre l'interconnexion simple ultérieure de l'armature préfabriquée avec l'armature de la structure.

Il convient de définir l'emplacement et la forme des points de connexion lors de la conception des panneaux préfabriqués en béton armé.

Il convient que les points de connexion soient situés de sorte que dans le cas d'un panneau préfabriqué en béton armé, une tige de renfort continue relie un joint d'équipotentialité à l'autre.

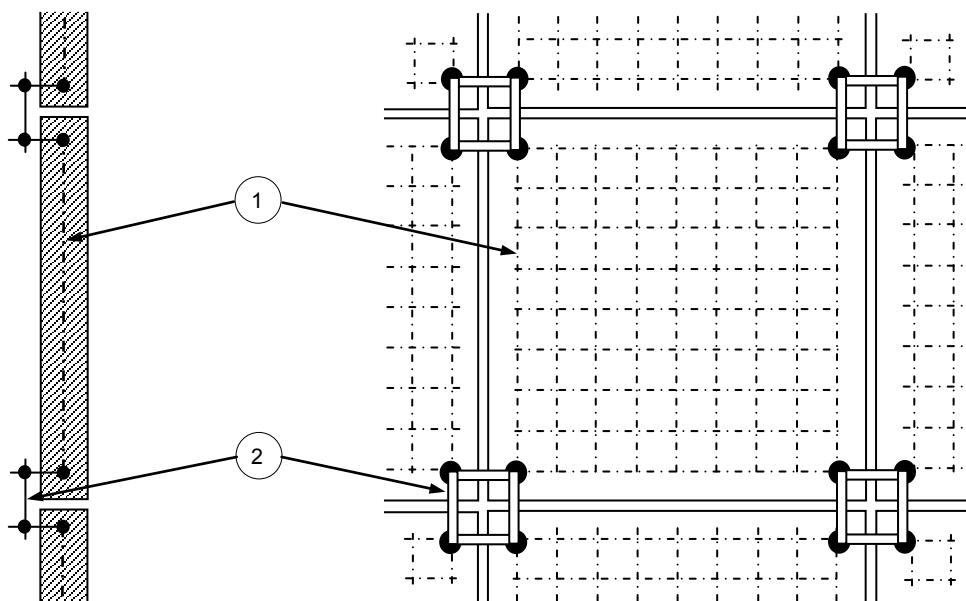
Lorsque la disposition de tiges de renfort continues dans un panneau préfabriqué en béton armé n'est pas possible avec des tiges de renfort normales, il convient d'installer un conducteur supplémentaire et de le ligaturer à l'armature existante.

En général, un point de connexion et un conducteur d'équipotentialité sont nécessaires à chaque coin d'un panneau préfabriqué en béton armé de type plaque, tel qu'illustré à la Figure E.11.

#### **E.4.3.12 Joints d'expansion**

Lorsque la structure comprend plusieurs sections avec des joints thermiques d'expansion, pour permettre le montage des sections de la structure, et lorsqu'un matériel électronique important doit être installé dans le bâtiment, il convient de prévoir des conducteurs d'équipotentialité entre l'armature des diverses sections structurales à travers les joints thermiques d'expansion à des intervalles ne dépassant pas la moitié de la distance entre les conducteurs de descente spécifiée dans le Tableau 4.

Afin d'assurer une équipotentialité de faible impédance et un écran efficace pour l'espace intérieur de la structure, il convient que les joints thermiques d'expansion entre les sections d'une structure soient pontés à intervalles courts (entre 1 m et la moitié de la distance entre les conducteurs de descente) par des conducteurs d'équipotentialité souples ou glissants en fonction du facteur d'écran requis, tel qu'indiqué à la Figure E.11.

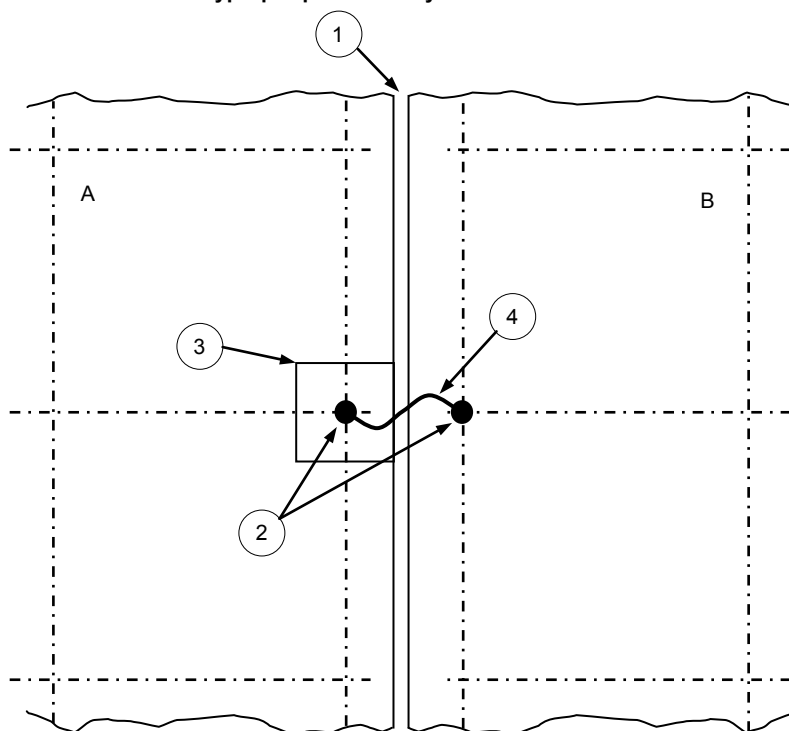


IEC 2677/10

**Légende**

- 1 béton préfabriqué armé
- 2 conducteurs d'équipotentialité

**Figure E.11a – Installation de conducteurs d'équipotentialité sur des panneaux préfabriqués en béton armé de type plaques au moyen de connexions à boulons ou soudées**



IEC 2678/10

**Légende**

- 1 fente d'expansion
- 2 soudure
- 3 retrait
- 4 conducteur souple d'équipotentialité
- A béton armé, partie 1
- B béton armé, partie 2

**Figure E.11b – Mise en œuvre de liaisons souples entre deux panneaux en béton armé pontant une fente d'expansion thermique sur une structure**

**Figure E.11 – Installation de conducteurs d'équipotentialité dans les structures en béton armé et de liaisons souples entre deux panneaux en béton armé**



## **E.5 Installation extérieure de protection contre la foudre**

### **E.5.1 Généralités**

L'emplacement des conducteurs d'une installation extérieure de protection contre la foudre est essentiel lors de la conception de ladite installation et dépend de la forme de la structure à protéger, du niveau de protection prescrit et de la méthode géométrique de conception utilisée. La conception du dispositif de capture implique généralement la conception du réseau des conducteurs de descente, le réseau de prises de terre et la conception du SPF intérieur.

Si des bâtiments contigus ont un SPF, il convient que ces SPF soient connectés, lorsque cela est admis, au SPF du bâtiment considéré.

#### **E.5.1.1 SPF non isolé**

Dans la plupart des cas, le SPF extérieur peut être fixé sur la structure à protéger.

Lorsque les effets thermiques au point d'impact ou sur les conducteurs écoulant le courant de foudre risquent d'entraîner des dommages à la structure à protéger ou à son contenu, il convient que la distance de séparation entre les conducteurs du système de protection et les matériaux inflammables soit au moins de 0,1 m.

NOTE Des cas typiques sont

- des structures avec revêtements combustibles,
- des structures avec parois combustibles.

#### **E.5.1.2 SPF isolé**

Il convient d'utiliser un SPF extérieur isolé lorsque l'écoulement du courant de foudre dans les parties conductrices internes à équipotentialité peut entraîner des dommages pour la structure ou son contenu.

NOTE 1 L'utilisation d'un SPF isolé peut être appropriée lorsqu'il est prévu que des modifications de structure peuvent nécessiter des modifications du SPF.

Un SPF connecté aux éléments conducteurs de la structure et au réseau d'équipotentialité au seul niveau du sol, est défini comme isolé selon 3.3.

Un SPF isolé est réalisé par l'installation de tiges ou de mâts de capture à proximité de la structure à protéger ou par des fils tendus entre les mâts conformément à la distance de séparation spécifiée en 6.3.

Un SPF isolé est également installé sur des structures en matériau isolant tel que brique ou bois avec la distance de séparation, telle que définie en 6.3, maintenue et sans connexion aux parties conductrices de la structure et des matériels intérieurs à l'exception des connexions au réseau de prises de terre au niveau du sol.

Il convient de ne pas installer les équipements conducteurs dans la structure et les conducteurs électriques à des distances par rapport aux conducteurs du dispositif de capture inférieures à la distance de séparation définie en 6.3. Il convient que toutes les installations ultérieures soient conformes aux exigences d'un SPF isolé. Il convient que ces exigences soient signifiées au propriétaire de la structure par le maître d'œuvre responsable de la conception et de la mise en œuvre du SPF.

Il convient que le propriétaire informe les futurs maîtres d'œuvre travaillant sur ou dans le bâtiment de l'existence de ces exigences. Il convient que le maître d'œuvre responsable de ces travaux informe le propriétaire de la structure s'il n'est pas en mesure de satisfaire à ces exigences.

Il convient que toutes les parties de matériels installés dans une structure protégée par un SPF isolé soient situées dans l'espace protégé et répondent aux conditions de distance de séparation. Il convient que les conducteurs du SPF soient installés sur des fixations isolantes, si les fixations attachées directement aux parois de la structure sont trop proches des parties conductrices, de sorte que la distance entre le SPF et les parties conductrices intérieures dépasse la distance de séparation définie en 6.3.

NOTE 2 Il convient que les fixations isolantes soient égales ou plus longues que la distance de séparation, compte tenu également des conditions d'environnement.

Il convient que les fixations de toiture conductrices affleurantes non reliées à l'équipotentialité et qui présentent une distance avec le dispositif de capture ne dépassant pas la distance de séparation, mais une distance de séparation avec l'équipotentialité qui dépasse cette dernière, soient reliées au dispositif de capture du SPF isolé. Pour cette raison, il convient de ne pas considérer ce type de structures comme des structures isolantes, mais comme des structures avec fixations de toiture conductrices affleurantes non connectées à l'équipotentialité.

Il convient que la conception d'un SPF et les règles de sécurité de travail au voisinage d'une fixation de toiture tiennent compte du fait que ces fixations subiront la même augmentation de tension que le dispositif de capture lors d'un coup de foudre.

Il convient d'installer un SPF isolé sur des structures présentant de nombreuses parties conductrices connectées lorsqu'il est souhaité d'empêcher tout écoulement du courant de foudre dans les parois et les matériels intérieurs.

Sur les structures constituées de parties conductrices à connexion continue telles qu'ossatures métalliques ou en béton armé, il convient que le SPF isolé maintienne la distance de séparation vis-à-vis de ces parties conductrices de la structure. Pour obtenir une séparation appropriée, il peut se révéler nécessaire de fixer les conducteurs du SPF sur la structure par des fixations isolantes.

Il convient de noter que les colonnes et plafonds en béton armé sont souvent utilisés dans des structures en briques.

### **E.5.1.3 Etincelles dangereuses**

Des étincelles dangereuses entre le SPF et les installations métalliques, de puissance et de communication peuvent être évitées

- dans un SPF isolé, par isolation ou séparation selon 6.3,
- dans un SPF non isolé, par équipotentialité selon 6.2, ou par isolation ou séparation selon 6.3.

## **E.5.2 Dispositifs de capture**

### **E.5.2.1 Généralités**

La présente norme ne donne pas de critères pour le choix du dispositif de capture car elle considère les tiges, les fils tendus et les conducteurs maillés comme équivalents.

Il convient que la disposition d'un dispositif de capture soit conforme aux exigences du Tableau 2.

### **E.5.2.2 Emplacement**

Pour la conception du dispositif de capture, il convient d'utiliser les méthodes suivantes, indépendamment ou combinées, à condition que les zones de protection permises par les

diverses parties du dispositif de capture se chevauchent et assurent une protection totale de la structure selon 5.2:

- méthode de l'angle de protection;
- méthode de la sphère fictive;
- méthode des mailles.

Ces trois méthodes peuvent être utilisées pour la conception d'un SPF. Le choix de la méthode dépend d'une évaluation pratique de son adéquation et de la vulnérabilité de la structure à protéger.

La méthode d'emplacement peut être choisie par le concepteur du SPF. Toutefois, les considérations suivantes peuvent être judicieuses:

- la méthode de l'angle de protection est appropriée à des structures simples ou à des petites parties de grandes structures. Cette méthode n'est pas appropriée à des structures de hauteur supérieure au rayon approprié au niveau de protection du SPF choisi;
- la méthode de la sphère fictive est appropriée à des structures de formes complexes;
- la méthode des mailles est générale et est particulièrement appropriée à la protection de surfaces planes.

Il convient que la méthode de conception du dispositif de capture et les méthodes de conception du SPF utilisées pour les diverses parties de la structure soient clairement expliquées dans le document de conception.

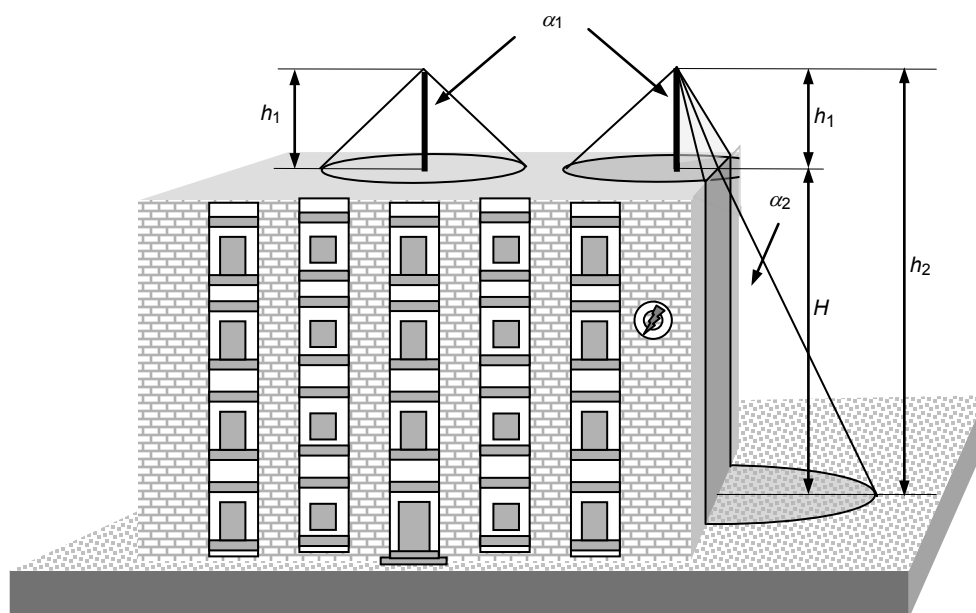
#### **E.5.2.2.1 Méthode de l'angle de protection**

Il convient que les conducteurs du dispositif de capture, les tiges, les mâts et les fils soient placés de manière que toutes les parties de la structure à protéger soient à l'intérieur de la surface-enveloppe générée par les points de projection des conducteurs du dispositif de capture sur le plan de référence avec un angle  $\alpha$  par rapport à la verticale dans toutes les directions.

Il convient que l'angle de protection  $\alpha$  soit conforme au Tableau 2,  $h$  étant la hauteur du dispositif de capture au-dessus de la surface à protéger.

Un point définit un cône. Les Figures A.1 et A.2 montrent la méthode de génération de l'espace protégé par les différents conducteurs de dispositif de capture dans le SPF.

Conformément au Tableau 2, l'angle de protection  $\alpha$  varie selon les différentes hauteurs du dispositif de capture au-dessus de la surface à protéger (voir Figures A.3 et E.12).



IEC 2679/10

**Légende**

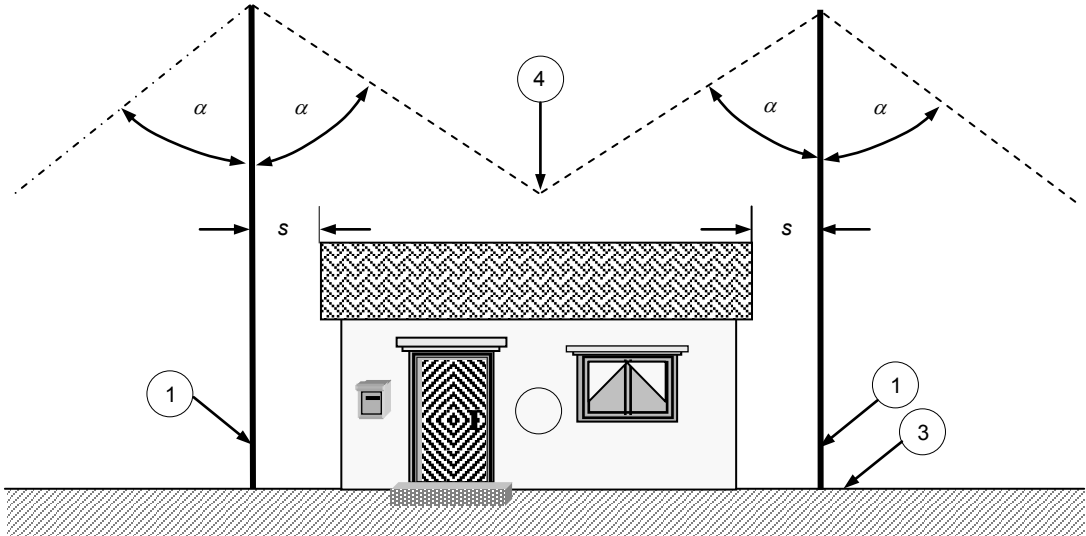
- $H$  hauteur du bâtiment au-dessus du plan de référence du sol
- $h_1$  hauteur physique d'une tige de capture
- $h_2$   $h_1 + H$ , étant la hauteur de la tige de capture au-dessus du sol
- $\alpha_1$  l'angle de protection correspondant à la hauteur du dispositif de capture  $h = h_1$ , étant la hauteur au-dessus de la surface du toit à mesurer (plan de référence)
- $\alpha_2$  l'angle de protection correspond à la hauteur  $h_2$

**Figure E.12 – Conception d'un dispositif de capture selon la méthode de l'angle de protection pour diverses hauteurs conformément au Tableau 2**

La méthode de l'angle de protection possède des limites géométriques et ne peut pas être appliquée si  $H$  est plus grande que le rayon de la sphère fictive  $r$  défini dans le Tableau 2.

Si des structures sur le toit doivent être protégées par des épis de faîtage et si le volume de protection de ces derniers dépasse le bord du bâtiment, il convient que les épis de faîtage soient placés entre la structure et le bord. Si cela n'est pas possible, il convient d'appliquer la méthode de la sphère fictive.

La conception de dispositifs de capture utilisant la méthode de l'angle de protection est également présentée dans les Figures E.13 et E.14 pour un SPF isolé et dans les Figures E.15 et E.16 pour un SPF non isolé.



IEC 2680/10

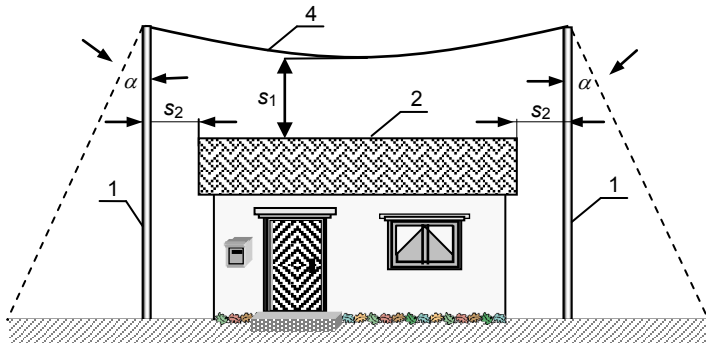


Figure E.14a – Projection sur un plan vertical parallèle à celui contenant deux mâts

IEC 2682/10

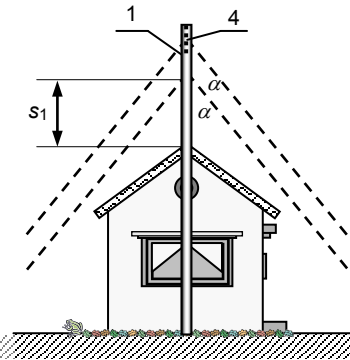


Figure E.14b – Projection sur un plan vertical perpendiculaire au plan contenant les deux mâts

IEC 2683/10

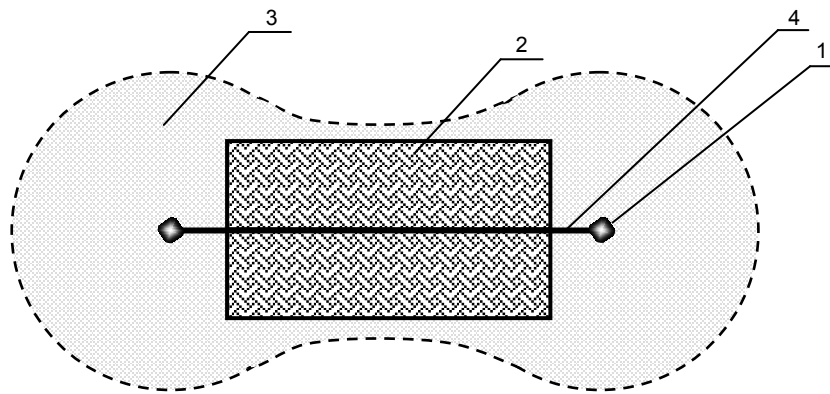


Figure E.14c – Projection sur le plan de référence horizontal

IEC 2684/10

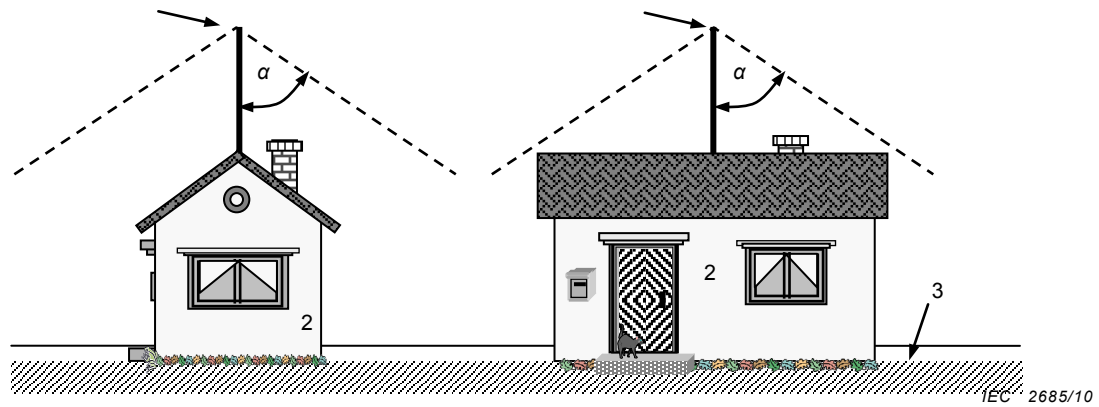


Figure E.15a – Exemple avec une tige de capture

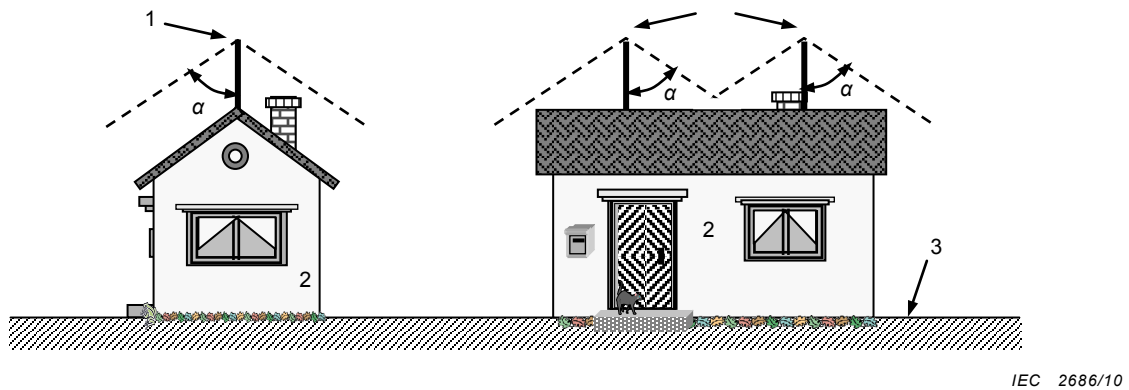


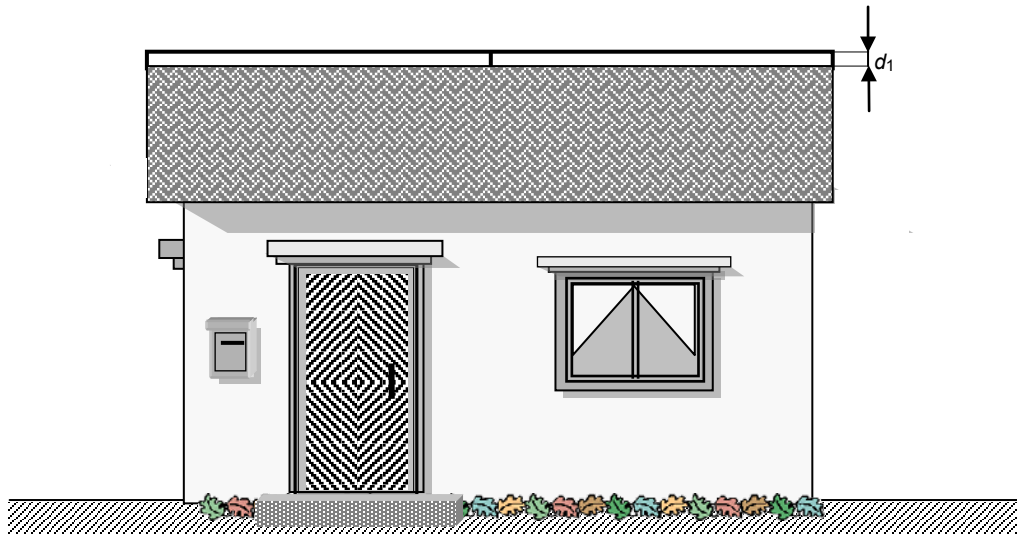
Figure E.15b – Exemple avec deux tiges de capture

**Légende**

- 1 tige de capture
- 2 structure protégée
- 3 plan de référence supposé
- $\alpha$  angle de protection conforme au Tableau 2

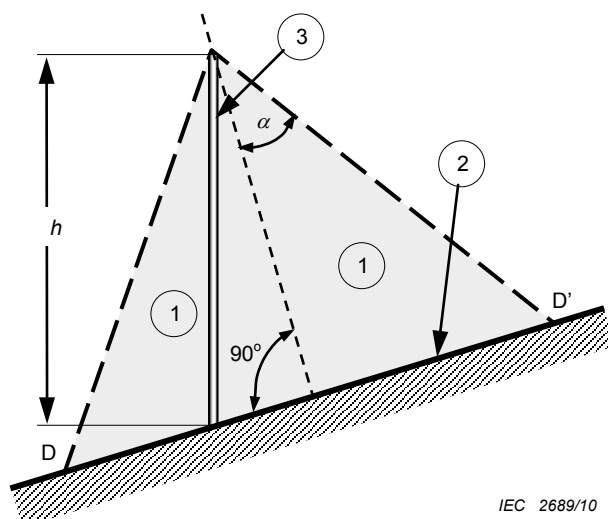
NOTE Il convient que l'ensemble de la structure soit à l'intérieur des volumes protégés des tiges de capture.

**Figure E.15 – Exemple de conception d'un dispositif de capture d'un SPF non isolé par tiges de capture**



IEC 2687/10





IEC 2689/10

**Légende**

- 1 volume protégé
- 2 plan de référence
- 3 tige de capture
- $h$  hauteurs appropriées du dispositif de capture selon le Tableau 2
- $\alpha$  angle de protection
- D, D' limite de la zone protégée

**Figure E.17 – Volume protégé d'une tige de capture sur une surface en pente en utilisant la méthode de l'angle de protection**

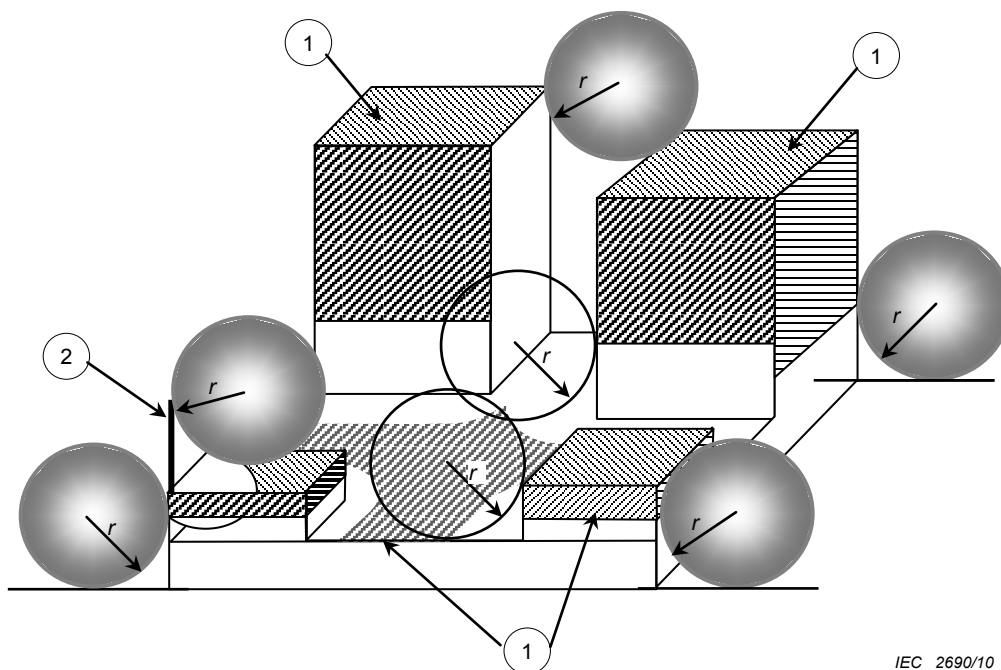
**E.5.2.2.2 Méthode de la sphère fictive**

Il convient d'utiliser cette méthode pour identifier l'espace protégé de parties et de zones d'une structure lorsque le Tableau 2 exclut l'utilisation de la méthode de l'angle de protection.

En appliquant cette méthode, le positionnement d'un dispositif de capture est approprié si aucun point du volume à protéger n'est en contact avec le rayon de la sphère,  $r$ , roulant sur le sol, autour et au sommet de la structure dans toutes les directions possibles. Par conséquent, il convient que la sphère ne touche que le sol et/ou le dispositif de capture.

Le rayon  $r$  de la sphère fictive dépend de la classe de SPF (voir Tableau 2). Le rayon de la sphère fictive est lié à la valeur crête du courant présent dans le coup de foudre frappant la structure:  $r = 10 / 0,65^I$  où  $I$  est défini comme kA.

La Figure E.18 montre l'application de la méthode de la sphère fictive à diverses structures. La sphère de rayon  $r$  roule autour et sur toute la structure jusqu'à rencontrer le sol ou toute structure permanente ou objet en contact avec le sol pouvant agir comme conducteur de foudre. Un point d'impact peut se produire lorsque la sphère fictive touche la structure et, en ces points, une protection par un dispositif de capture est requise.



**Légende**

- 1 les zones ombrées sont soumises aux impacts de foudre et nécessitent une protection conformément au Tableau 2
- 2 mât sur la structure
- $r$  rayon de la sphère fictive, selon le Tableau 2

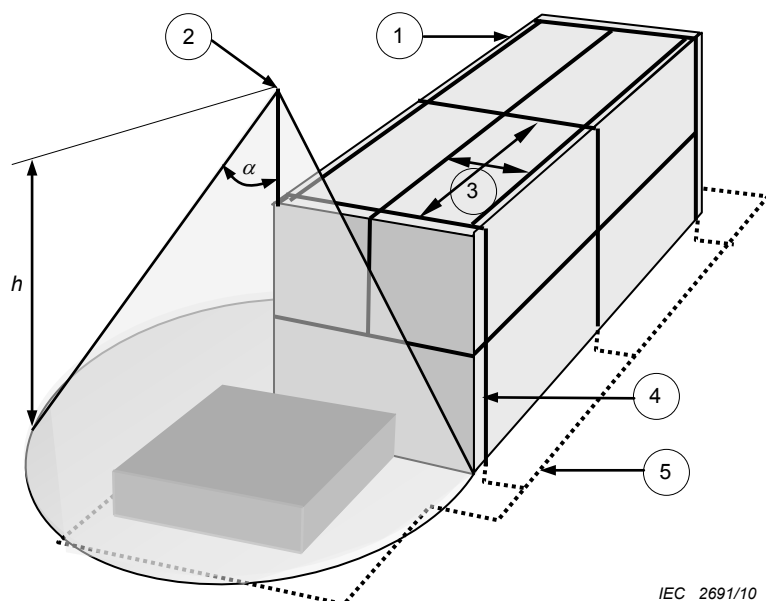
NOTE La protection contre les coups de foudre latéraux est nécessaire conformément à 5.2.3 et à l'Artifice A.2.

**Figure E.18 – Conception d'un réseau de dispositifs de capture de SPF sur une structure de forme complexe**

Lorsque la méthode de la sphère fictive est utilisée sur les schémas de la structure, il convient que cette dernière soit considérée dans toutes les directions afin qu'aucune partie n'empiète dans une zone non protégée – un point pouvant être oublié si seuls les schémas de face, de côtés et les vues en plan sont analysés.

L'espace protégé généré par le conducteur d'un SPF est le volume non pénétré par la sphère fictive lorsqu'elle est en contact avec le conducteur et appliquée à la structure.

La Figure E.19 montre la protection apportée par le dispositif de capture d'un SPF selon la méthode des mailles, la méthode de la sphère fictive et de l'angle de protection avec disposition générale des éléments de capture.



IEC 2691/10

**Légende**

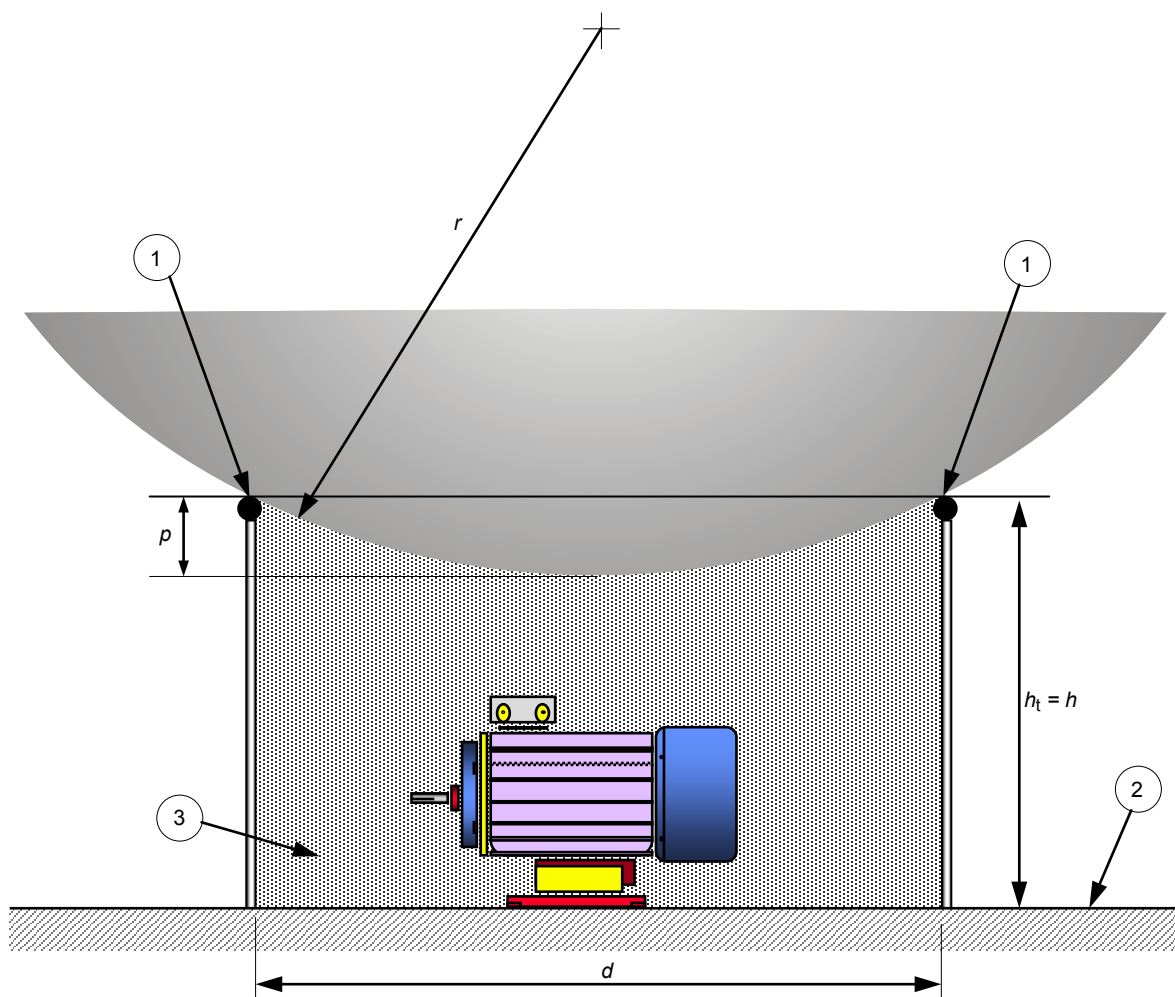
- 1 conducteur de capture
- 2 tige de capture
- 3 taille de maille
- 4 conducteur de descente
- 5 prise de terre avec conducteur de ceinturage
- $h$  hauteur du dispositif de capture au-dessus du sol
- $\alpha$  angle de protection

**Figure E.19 – Conception d'un dispositif de capture d'un SPF selon la méthode de l'angle de protection, la méthode des mailles et disposition générale des éléments de capture**

Dans le cas de deux conducteurs parallèles horizontaux de capture situés au-dessus du plan de référence horizontal de la Figure E.20, la distance de pénétration,  $p$ , de la sphère fictive sous le niveau des conducteurs dans l'espace situé entre les conducteurs peut être calculée:

$$p = r - [r^2 - (d/2)^2]^{1/2} \quad (\text{E.2})$$

Il convient que la distance de pénétration  $p$  soit inférieure à  $h_t$  moins la hauteur des objets à protéger (le moteur illustré à la Figure E.20).



IEC 2692/10

**Légende**

- 1 fils horizontaux
- 2 plan de référence
- 3 espace protégé par deux fils de capture horizontaux parallèles ou deux tiges de capture
- $h_t$  hauteur physique des tiges de capture au-dessus du plan de référence
- $p$  distance de pénétration de la sphère fictive
- $h$  hauteur du dispositif de capture selon le Tableau 2
- $r$  rayon de la sphère fictive
- $d$  distance séparant deux fils horizontaux parallèles de capture ou deux tiges de capture

NOTE Il convient que la distance de pénétration  $p$  de la sphère fictive soit inférieure à  $h_t$  moins la hauteur la plus élevée des objets à protéger, afin de protéger ceux-ci dans l'espace situé entre les extrémités.

**Figure E.20 – Espace protégé par deux fils parallèles et horizontaux de capture ou deux tiges de capture ( $r > h_t$ )**

L'exemple illustré à la Figure E.20 est également valable pour trois ou quatre tiges de capture; par exemple, quatre tiges verticales placées aux coins d'un carré avec application de la même hauteur  $h$ . Dans ce cas,  $d$  illustré à la Figure E.20 correspond aux diagonales du carré constitué par les quatre tiges.

Les points où la foudre frappe peuvent être déterminés par la méthode de la sphère fictive. Cette méthode peut également identifier la probabilité d'occurrence d'impact sur chaque point du bâtiment.

### Méthode des mailles

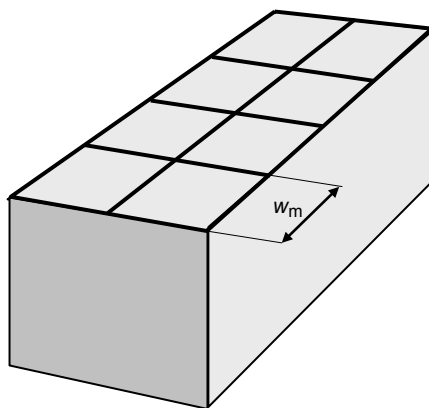
Pour la protection de surfaces planes, un maillage est considéré comme protégeant l'ensemble de la surface si les conditions suivantes sont satisfaites.

- a) Comme indiqué à l'Annexe A, les conducteurs de capture sont placés sur
  - des extrémités de toitures,
  - des débords de toitures,
  - des bords de toitures, si la pente dépasse 1/10,
  - les surfaces latérales de la structure pour des hauteurs supérieures à 60 m et supérieures à 80 % de la hauteur de la structure;
- b) les dimensions des mailles du réseau de capture ne sont pas supérieures aux valeurs indiquées dans le Tableau 2;
- c) le réseau de dispositifs de capture est réalisé de manière que le courant de foudre se répartisse toujours entre au moins deux chemins métalliques distincts vers la terre et qu'aucune installation métallique ne dépasse le volume protégé par les dispositifs de capture;

NOTE 2 Un plus grand nombre de conducteurs de descente entraîne une réduction de la distance de séparation et du champ électromagnétique dans le bâtiment (voir 5.3).

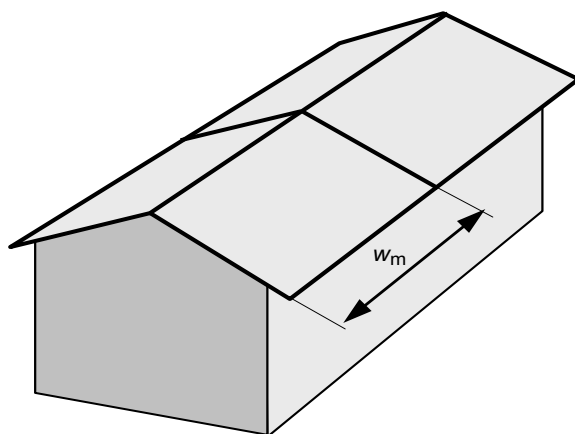
- d) les conducteurs de capture suivent des chemins aussi directs et courts que possible.

Des exemples de SPF non isolé utilisant la méthode des mailles de capture sont présentés à la Figure E.21a pour une structure à toit plat et à la Figure E.21b pour une structure à toiture en pente. La Figure E.21c montre un exemple de SPF sur un bâtiment industriel.



IEC 2693/10

**Figure E.21a – Dispositif de capture de SPF sur une structure à toit plat**



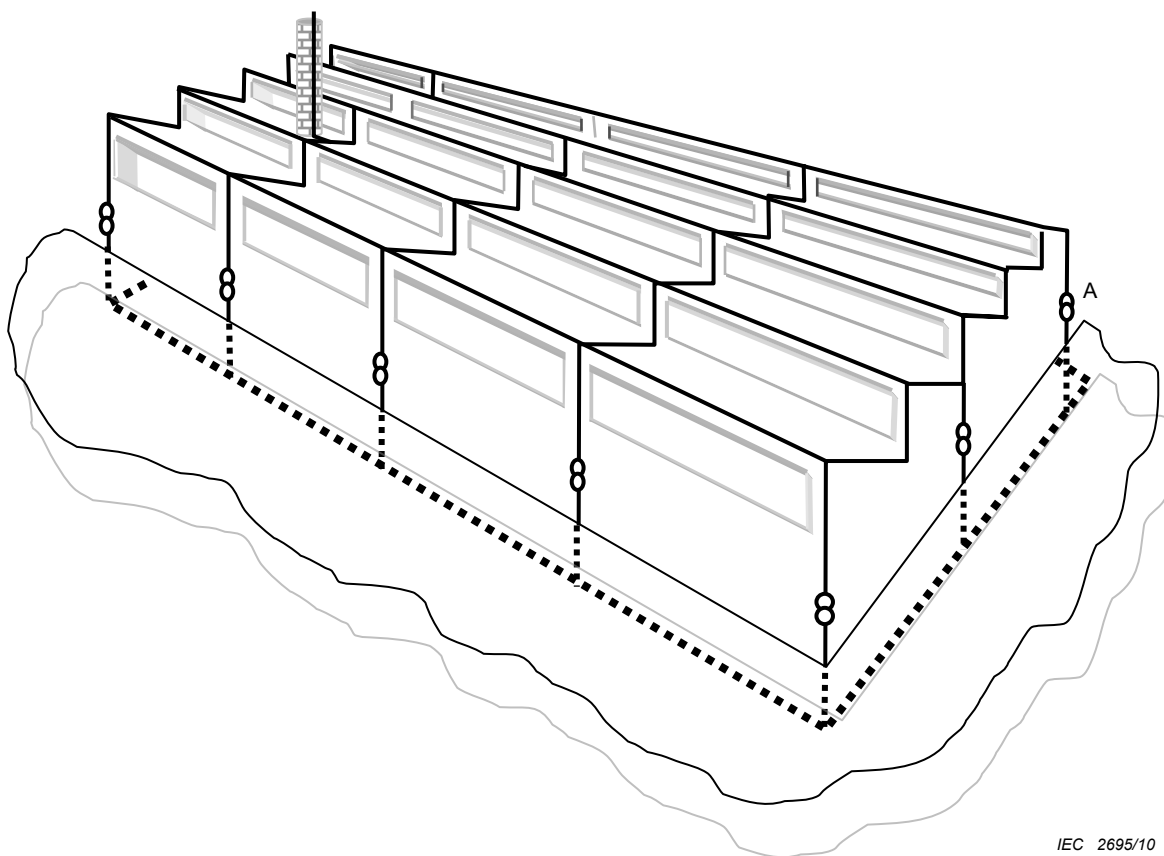
IEC 2694/10

**Légende**

$w_m$  taille de la maille

NOTE Il convient que la dimension de la maille satisfasse au Tableau 2.

**Figure E.21b – Dispositif de capture de SPF sur une structure à toiture en pente**



IEC 2695/10

### E.5.2.3 Dispositifs de capture pour les coups de foudre latéraux sur des structures élevées

Il convient, dans les structures hautes de plus de 60 m, que les 20 % des surfaces latérales les plus hautes soient équipées de dispositifs de capture. Pour la partie de cette surface à protéger inférieure à 60 m, la protection peut être omise.

NOTE 1 Pour les structures dont la hauteur est comprise entre 60 m et 75 m, il n'est pas nécessaire que l'extension de la zone protégée soit effective en dessous de 60 m.

NOTE 2 Si des parties sensibles (par exemple, matériels électroniques) sont présentes à l'extérieur de la partie supérieure du bâtiment, il convient de les protéger par des mesures de capture particulières, telles que des épis de faîtage horizontaux, des conducteurs maillés ou équivalents.

### E.5.2.4 Mise en œuvre

#### E.5.2.4.1 Informations générales

La température maximale admissible d'un conducteur ne sera pas dépassée si la section du conducteur est conforme au Tableau 6.

Il convient qu'une toiture ou une paroi constituée de matériaux combustibles soit protégée des échauffements dangereux du courant de foudre contribuant à l'échauffement des conducteurs SPF, par l'application d'une ou plusieurs des mesures suivantes:

- réduction de la température des conducteurs par augmentation de la section;
- accroissement de la distance entre les conducteurs et le revêtement de toiture (voir également 5.2.4);
- ajout d'une couche de protection contre la chaleur entre les conducteurs et les matériaux combustibles.

NOTE Des recherches ont montré qu'il est avantageux pour les tiges de capture d'avoir un bout arrondi.

#### E.5.2.4.2 Dispositif de capture non isolé

Il convient que les conducteurs de capture et les conducteurs de descente soient interconnectés au moyen de conducteurs de toiture afin d'assurer une distribution de courant suffisante entre les conducteurs de descente.

Les conducteurs de toiture et les connexions des tiges de capture peuvent être fixés sur la toiture par des séparateurs et des fixations conducteurs ou non. Les conducteurs peuvent également être installés sur la surface d'une paroi si celle-ci est constituée d'un matériau non combustible.

Les points de fixation recommandés pour ces conducteurs sont indiqués au Tableau E.1.

**Tableau E.1 – Points de fixation suggérés**

Disposition	Points de fixation pour conducteurs ruban, torsadés et ronds étirés et souples	Points de fixation pour conducteurs pleins ronds
	mm	mm
Conducteurs horizontaux sur surfaces horizontales	1 000	1 000
Conducteurs horizontaux sur surfaces verticales	500	1 000
Conducteurs verticaux du sol jusqu'à 20 m	1 000	1 000
Conducteurs verticaux au-dessus de 20 m	500	1 000

NOTE 1 Ce tableau ne s'applique pas à des fixations préfabriquées, qui peuvent requérir des études particulières.

NOTE 2 Il convient que la détermination des conditions d'environnement (c'est-à-dire la charge due au vent prévue) soit effectuée et il se peut que des points de fixation différents de ceux recommandés se révèlent nécessaires.

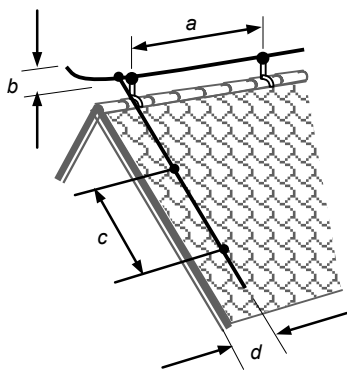
Sur les petites maisons et structures analogues avec arête de toiture, il convient d'installer un conducteur de toiture sur l'arête. Si la structure est entièrement située dans la zone protégée assurée par le conducteur d'arête, il convient de disposer au moins deux conducteurs de descente au-dessus des arêtes de pignon aux coins opposés de la structure.

Les gouttières en bord de toiture peuvent être utilisées comme conducteurs naturels à condition qu'elles soient conformes à 5.2.5.

Les Figures E.22a, E.22b et E.22c illustrent un exemple de disposition de conducteurs sur une toiture et de conducteurs de descente sur une structure à toiture en pente.

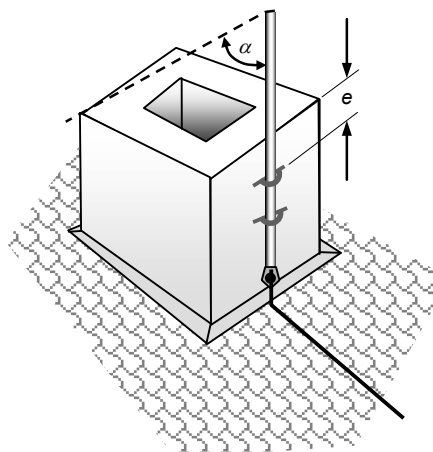
www.TeraStandard.com





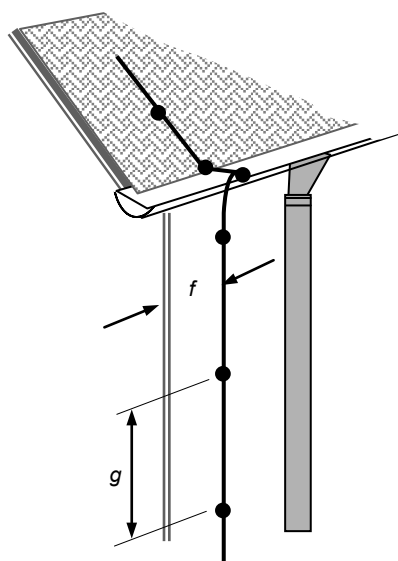
IEC 2696/10

Figure E.22a – Installation d'un conducteur de capture sur la bordure d'un toit en pente et d'un conducteur de descente



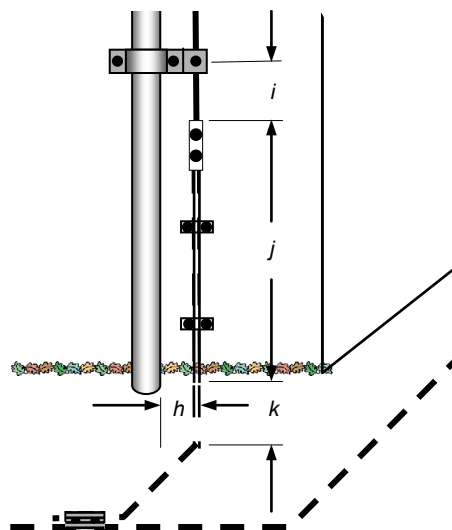
IEC 2697/10

Figure E.22b – Installation d'une tige de capture pour la protection d'une cheminée par la méthode de conception des dispositifs de capture avec angle de protection



IEC 2698/10

Figure E.22c – Installation d'un conducteur de descente avec connexion à la gouttière



IEC 2699/10

Figure E.22d – Installation d'une borne d'essai sur un conducteur de descente et connexion à une descente de gouttière

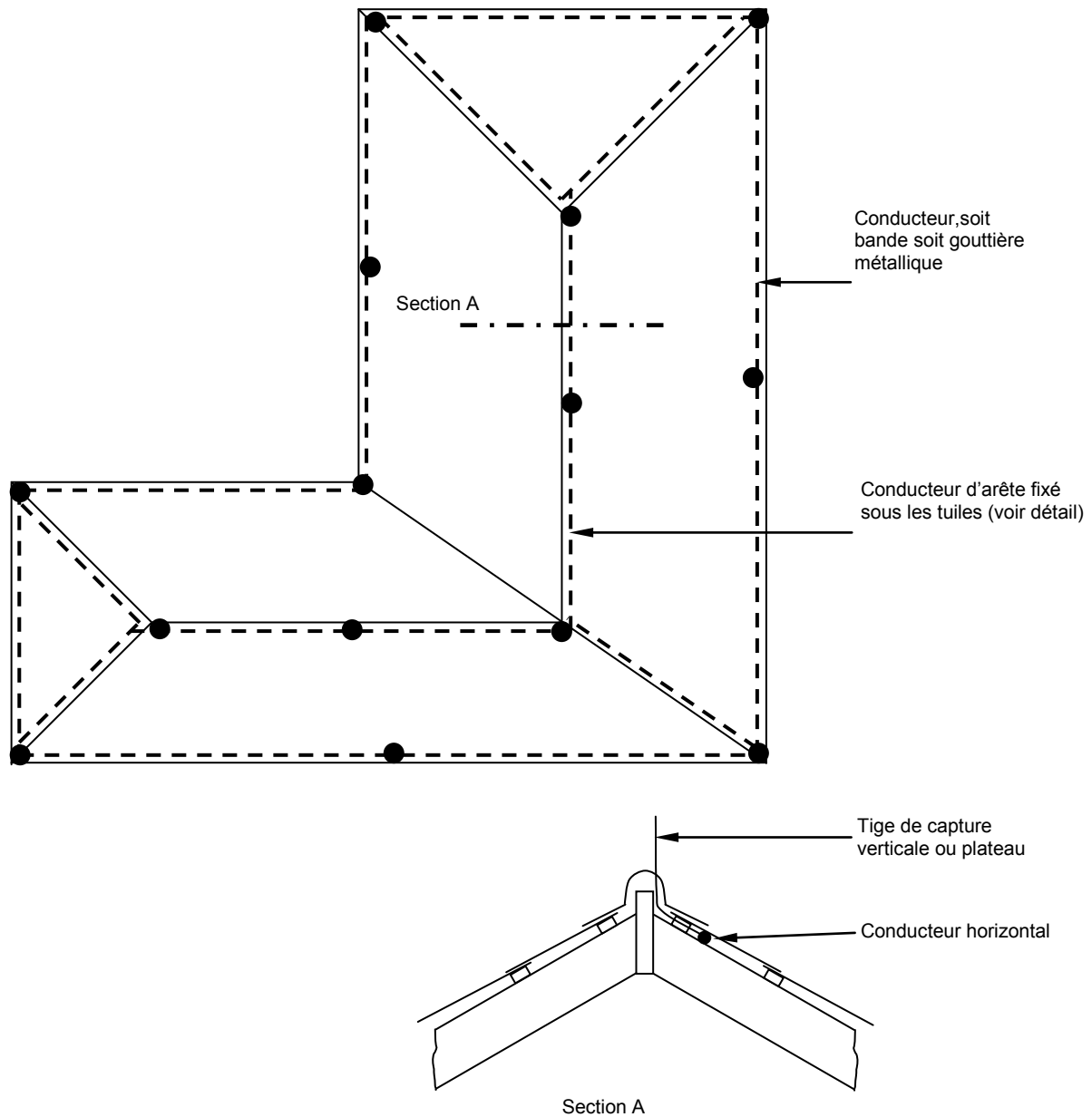
Exemples de dimensions appropriées:

<i>a</i>	1 m
<i>b</i>	0,15 m (non obligatoire)
<i>c</i>	1 m
<i>d</i>	aussi proche que possible du bord
<i>e</i>	0,2 m
<i>f</i>	0,3 m

<i>g</i>	1 m
<i>h</i>	0,05 m
<i>i</i>	0,3 m
<i>j</i>	1,5 m
<i>k</i>	0,5 m
$\alpha$	angle de protection selon le Tableau 2

Figure E.22 – Quatre exemples de détails d'un SPF sur une structure avec toitures en pente recouvertes de tuiles

La Figure E.23 montre un exemple de SPF avec conducteurs cachés.



IEC 2700/10

**Légende**

- - - conducteur caché
- dispositif de capture vertical (tige verticale nue de 0,3 m de haut) à distances courtes (<10 m) ou plateaux à intervalles <5 m

**Figure E.23 – Dispositif de capture et conducteurs cachés pour des bâtiments de hauteur inférieure à 20 m, avec des toits en pente**

Dans le cas de structures en longueur, il convient de connecter des conducteurs supplémentaires, conformes au Tableau 4, aux conducteurs de capture montés sur l'arête de toiture.

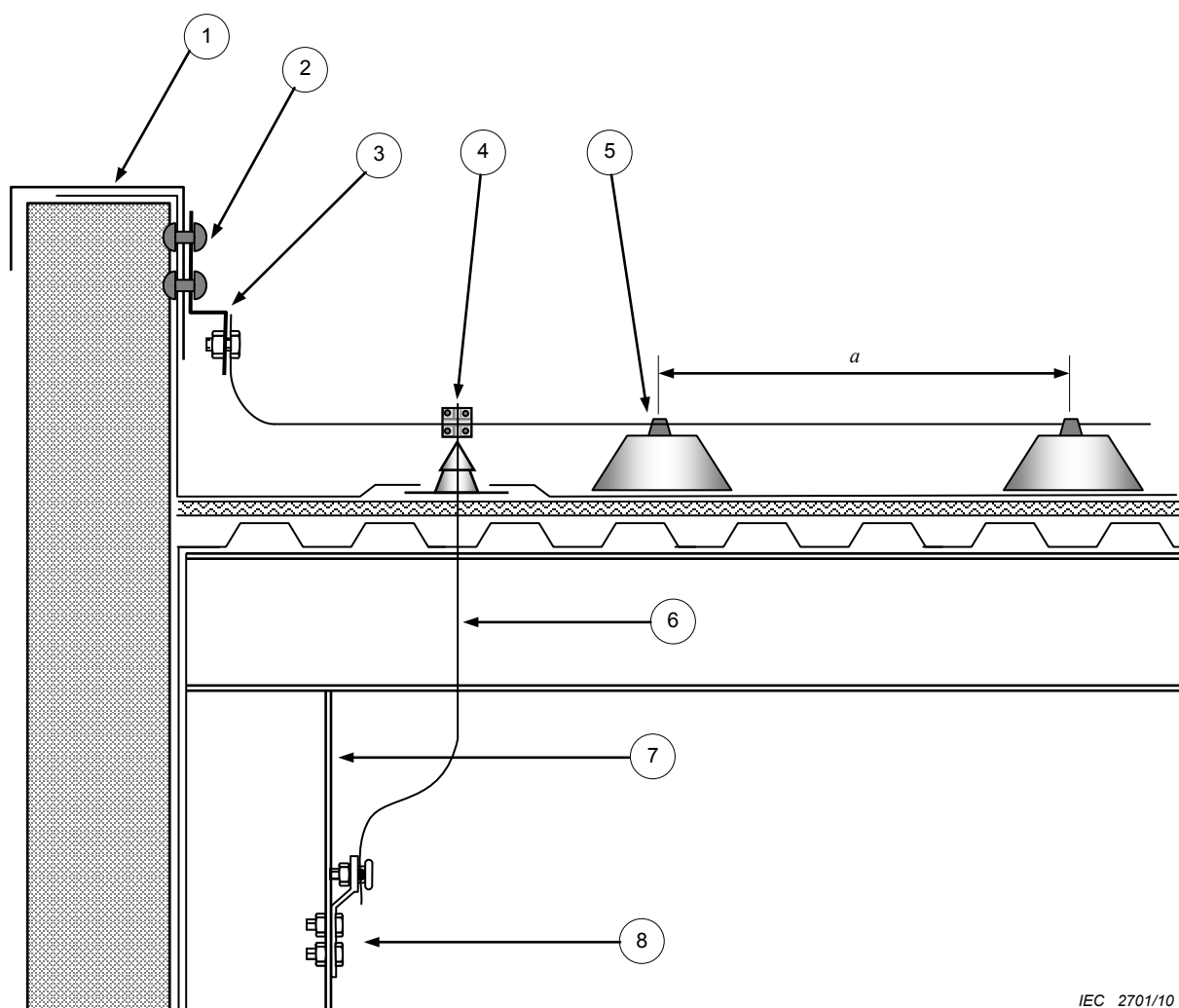
Pour des bâtiments avec des encorbellements importants, il convient que le conducteur d'arête de toiture s'étende jusqu'au bord. Sur l'arête du pignon de la toiture, il convient de connecter un conducteur entre le conducteur d'arête et le conducteur de descente.

Il convient, dans toute la mesure du possible, de réaliser un cheminement direct des conducteurs de capture, de connexion et de descente. Pour les toitures non-conductrices, le conducteur peut être placé soit sous les tuiles, mais de préférence, sur les tuiles. Bien que leur installation sous les tuiles présente l'avantage de la simplicité et moins de risque de corrosion, il est préférable de les installer, lorsque des méthodes de fixation appropriées existent, au-dessus des tuiles (c'est-à-dire à l'extérieur) réduisant ainsi le risque de dommage de ces dernières en cas de coup de foudre direct sur le conducteur. L'installation du conducteur au-dessus des tuiles simplifie également l'inspection. Il convient que les conducteurs situés sous les tuiles soient de préférence fournis avec de courts épis de faîtage verticaux apparaissant au-dessus du toit, leur espacement ne dépassant pas 10 m. Des parties métalliques exposées appropriées peuvent également être utilisées (voir Figure E.23) à condition qu'elles ne soient pas espacées de plus de 5 m.

Sur des structures avec terrasse, il convient d'installer les conducteurs périphériques le plus près possible des arêtes extérieures de la toiture, dans la mesure où la pratique le permet.

Lorsque la surface de la toiture dépasse la dimension de la maille définie dans le Tableau 2, il convient d'installer des conducteurs de capture supplémentaires.

Les Figures E.22a, E.22b et E.22c montrent des exemples détaillés de fixations de conducteurs de capture sur la toiture en pente d'une structure. La Figure E.24 fournit un exemple détaillé de fixations sur une toiture en terrasse.



IEC 2701/10

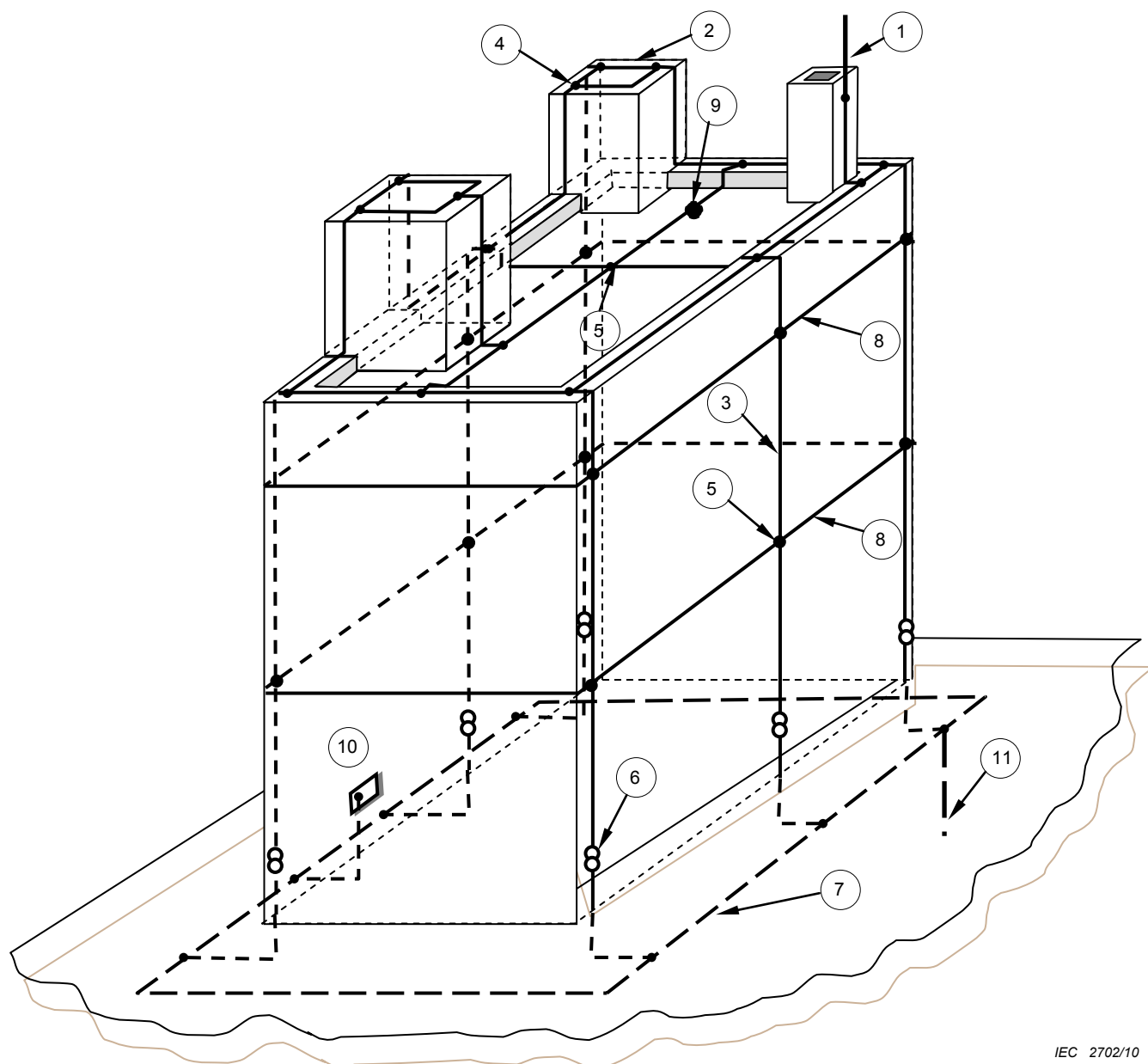
**Légende**

- |   |                                     |   |  |
|---|-------------------------------------|---|--|
| a | 500 mm à 1 000 mm, voir Tableau E.1 | 5 | fixation du conducteur de capture      |
| 1 | parapet du toit                     | 6 | SPF traversant un système d'étanchéité |
| 2 | borne                               | 7 | poutre en acier                        |
| 3 | conducteur souple                   | 8 | borne                                  |
| 4 | bornes T                            |   |  |

NOTE Le revêtement métallique du parapet du toit est utilisé comme conducteur de capture et est connecté à la poutre en acier utilisée comme conducteur de descente naturel du SPF.

**Figure E.24 – Installation d'un SPF utilisant les composants naturels du toit de la structure**

La Figure E.25 montre l'emplacement du SPF extérieur sur une structure avec terrasse en matériau isolant tel que du bois ou des briques. Les fixations de toiture se situent dans l'espace à protéger. Sur des structures élevées, un ceinturage interconnectant tous les conducteurs de descente est installé sur la façade. Il convient que les distances entre ces conducteurs de ceinturage soient conformes à 5.3.1. Les conducteurs de ceinturage sous le rayon de la sphère fictive sont nécessaires comme conducteurs d'équipotentialité.



IEC 2702/10

**Légende**

- |   |                                  |    |   |
|---|----------------------------------|----|---|
| 1 | tige de capture                  | 7  | disposition de prise de terre de type B, prise de terre en boucle       |
| 2 | conducteur de capture horizontal | 8  | conducteur d'équipotentialité de ceinturage                             |
| 3 | conducteur de descente           | 9  | toiture en terrasse avec fixation de toiture                            |
| 4 | borne T                          | 10 | prise pour la connexion de la barre d'équipotentialité du SPF intérieur |
| 5 | borne de croisement              | 11 | électrode de terre verticale  |
| 6 | borne d'essai                    |    |   |

NOTE Un ceinturage équipotential est appliqué. La distance entre les conducteurs de descente est conforme aux exigences du Tableau 4.

**Figure E.25 – Emplacement du SPF extérieur sur une structure en matériau isolant, par exemple, du bois ou des briques, d'une hauteur maximale de 60 m avec toiture en terrasse et fixations de toiture**

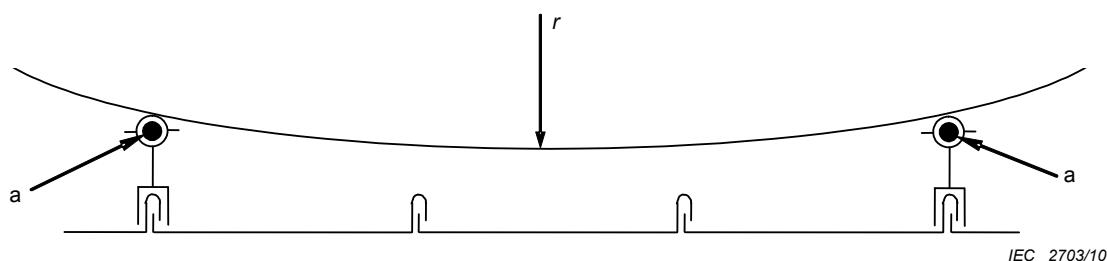
Il convient que les conducteurs du SPF et les tiges soient mécaniquement fixés de manière à pouvoir supporter les contraintes dues au vent ou les conditions climatiques, ainsi que les travaux effectués sur la surface de la toiture.

Le revêtement métallique utilisé pour la protection mécanique du revêtement de parapet des parois extérieures peut servir de composant naturel du dispositif de capture, selon 5.2.5, si aucun risque d'inflammation par fusion métallique n'existe. L'inflammabilité dépend du type de matériau sous le revêtement métallique. Il convient que l'inflammabilité du matériau employé soit confirmée par le maître d'œuvre.

L'étanchéité de toitures métalliques ou autres peut être perforée par un impact de foudre. Dans ce cas, l'eau peut pénétrer et s'écouler le long de la toiture en un point éloigné du point d'impact. Si cela doit être évité, il convient d'installer un dispositif de capture.

Les coupoles, volets de fumées et d'évacuation sont normalement fermés. Il convient que la conception de la protection de ces volets soit discutée avec l'acheteur/propriétaire du bâtiment afin de décider du type de protection qu'il convient d'appliquer pour les volets à l'état ouvert, fermé et dans toutes les positions intermédiaires.

Les revêtements conducteurs de toiture non conformes à 5.2.5 peuvent être utilisés comme conducteurs de capture lorsque la fusion au point d'impact de la foudre peut être acceptée. Si tel n'est pas le cas, il convient que le revêtement conducteur de toiture soit protégé par un dispositif de capture de hauteur suffisante (voir Figure E.20 et Figure E.26).



#### Légende

$r$  rayon de la sphère fictive, Tableau 2  
 $a$  conducteurs de capture

NOTE Il convient que la sphère ne touche aucune partie de la toiture métallique, y compris les soudures.

**Figure E.26 – Installation d'un réseau de capture sur une toiture avec revêtement conducteur où le percement de la couverture n'est pas acceptable**

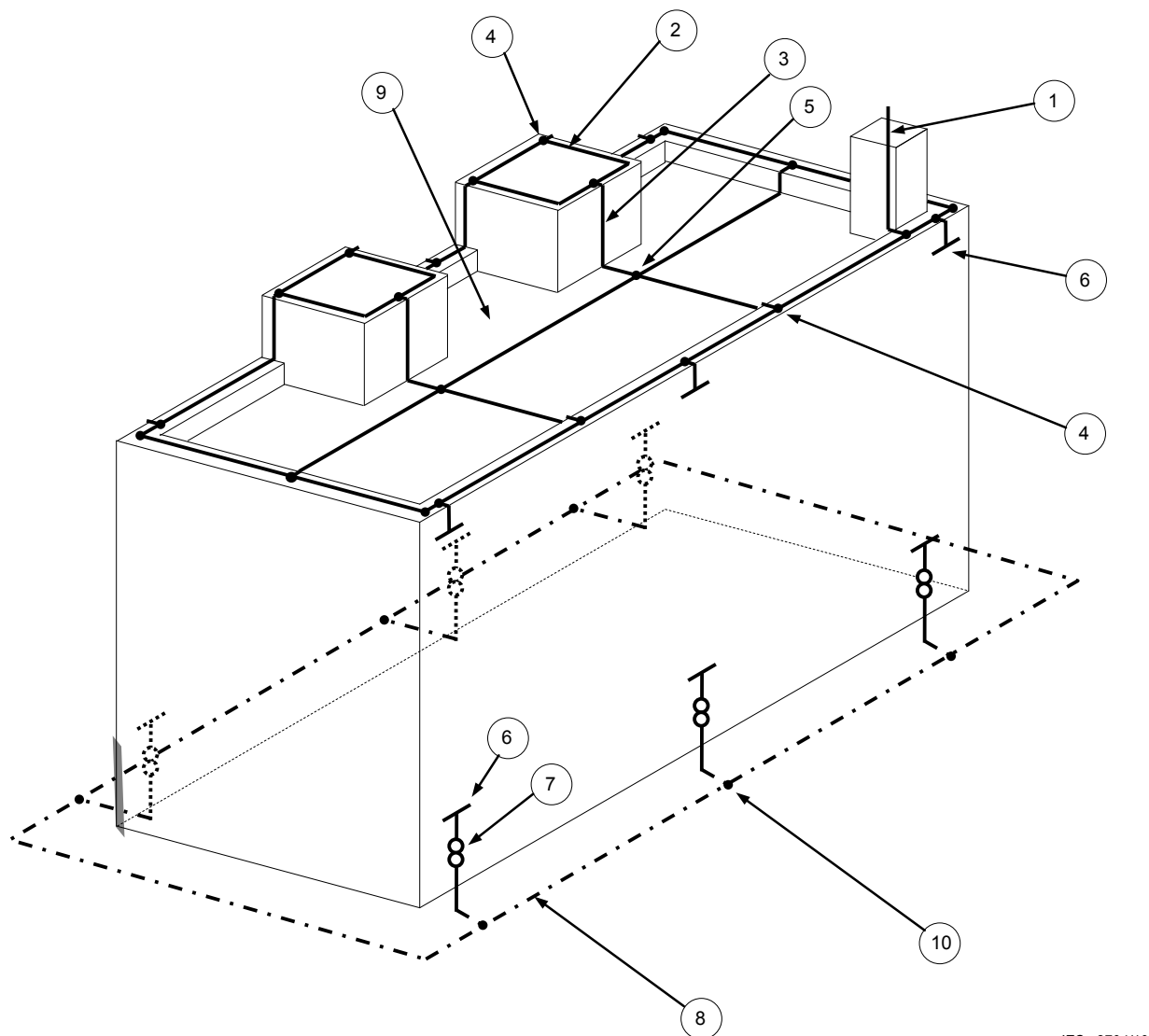
Des supports non-conducteurs et conducteurs sont admis.

Lorsque des supports conducteurs sont utilisés, il convient que la connexion à la toiture supporte une partie du courant de foudre (voir Figure E.26).

La Figure E.24 montre un exemple de dispositif de capture naturel utilisant un parapet de toit comme conducteur de capture sur la bordure du toit.

Il convient que les structures affleurantes et proéminentes de la toiture soient protégées au moyen de tiges de capture ou, en variante, il convient que les parties métalliques extérieures soient connectées au SPF à moins qu'elles ne soient conformes à 5.2.5.

La Figure E.27 montre un exemple de connexion du dispositif de capture aux conducteurs de descente naturels dans le béton.



IEC 2704/10

**Légende**

- 1 tige de capture
- 2 conducteur de capture horizontal
- 3 conducteur de descente
- 4 borne T
- 5 borne de croisement
- 6 connexion aux tiges de renfort en acier (voir E 4.3.3 et E.4.3.6)
- 7 borne d'essai
- 8 disposition de terre de type B, prise de terre en boucle
- 9 toiture en terrasse avec fixations
- 10 borne T - résistante à la corrosion

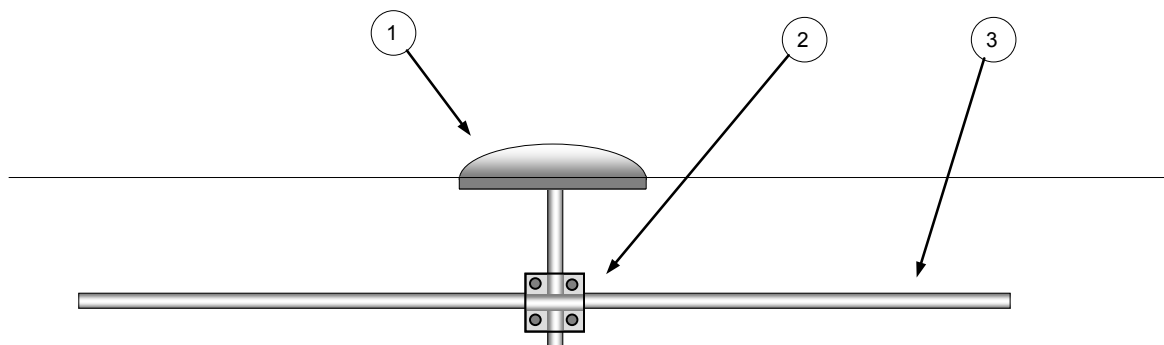
NOTE Il convient que l'armature d'acier de la structure soit conforme à 4.3. Il convient que toutes les dimensions du SPF soient conformes au niveau de protection choisi.

**Figure E.27 – Installation d'un SPF extérieur sur une structure à armature d'acier utilisant l'armature des parois extérieures comme composants naturels**

#### **E.5.2.4.2.1 Protection contre la foudre des toitures de parcs de stationnement multi-étages**

Pour la protection de ce type de structure, des goujons de capture peuvent être utilisés. Ces goujons peuvent être connectés à l'armature d'acier d'une toiture en béton (voir Figure E.28). Dans le cas de toitures pour lesquelles une connexion à l'armature ne peut être réalisée, les conducteurs de toiture peuvent être disposés dans les jointures de dalles et les goujons de

capture aux points maillés. La largeur des mailles ne doit pas excéder la valeur correspondant à la classe de protection donnée dans le Tableau 2. Dans ce cas, les personnes et les véhicules présents sur cette aire de stationnement ne sont pas protégés contre la foudre.



IEC 2705/10

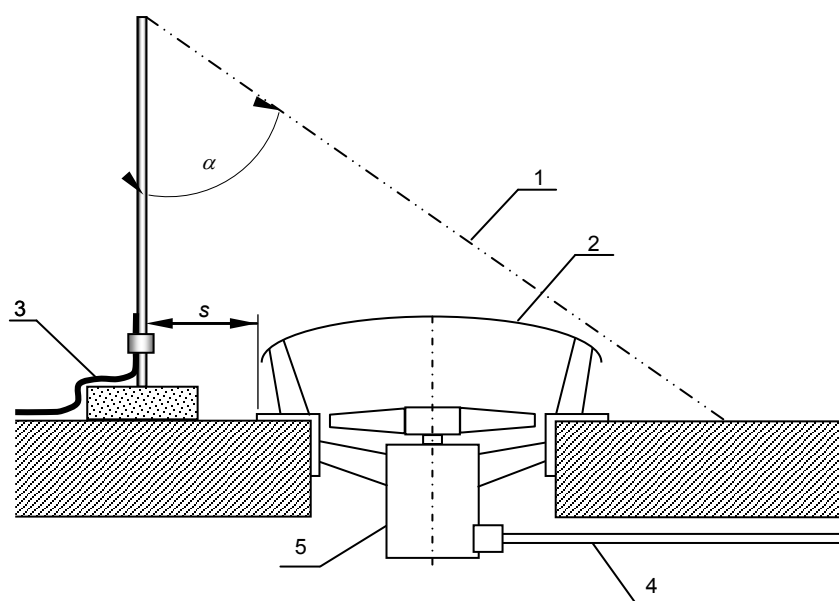
**Légende**

- 1 goujon de capture
- 2 conducteur en acier connecté à plusieurs barres de l'armature d'acier
- 3 armature d'acier dans le béton

**Figure E.28 – Exemple de goujon de capture utilisé sur les toitures de parcs de stationnement**

Si l'aire de stationnement supérieure doit être protégée contre les coups de foudre directs, il convient d'utiliser des tiges de capture et/ou des conducteurs aériens.





IEC 2706/10

**Légende**

- 1 cône de protection
- 2 fixation métallique de toiture
- 3 conducteur de capture horizontal
- 4 canalisation électrique, de préférence sous un écran conducteur
- 5 matériel électrique
- s distance de séparation selon 6.3
- $\alpha$  angle de protection, voir Tableau 2

NOTE Il convient que la hauteur de la tige de capture soit conforme au Tableau 2.

**Figure E.29 – Tige de capture utilisée pour la protection d'une fixation métallique de toiture comportant des installations électriques non reliées au dispositif de capture**

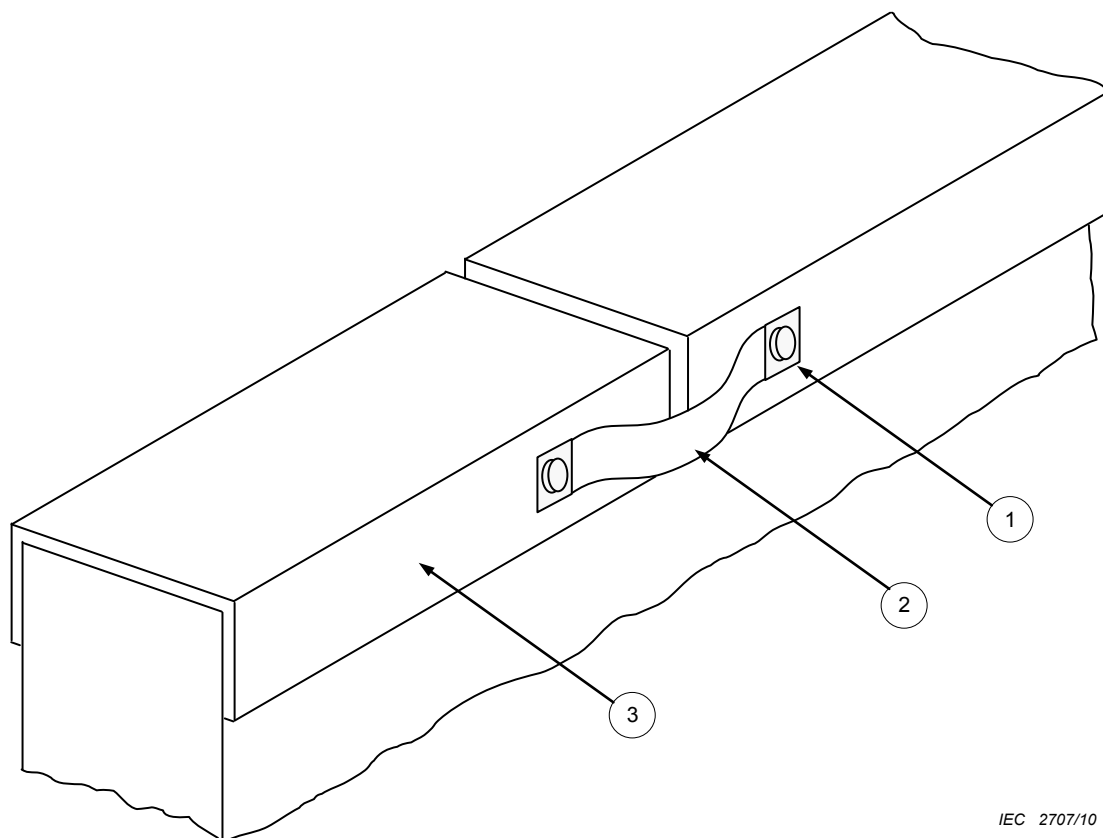
Dans le cas de conducteurs verticaux, il convient de tenir compte de la zone à portée de main. La distance de séparation nécessaire peut être obtenue au moyen de barrières ou de câbles de protection.

Il convient de prévoir des panneaux d'avertissement aux entrées pour attirer l'attention sur le risque de coups de foudre en cas d'orage.

Les tensions de contact et de pas peuvent ne pas être prises en compte si la toiture est recouverte d'une couche d'asphalte d'au moins 50 mm d'épaisseur. De plus, les tensions de pas peuvent ne pas être prises en compte si la toiture est en béton armé avec armature d'acier interconnectée dont la continuité est conforme à 4.3.

**E.5.2.4.2.2 Structures à toitures-terrasses en béton armé non accessibles au public**

Pour une toiture en terrasse non accessible au public avec dispositif de capture externe incorporé, il convient d'installer les conducteurs de capture tel qu'illustré à la Figure E.27. Pour le conducteur d'équipotentialité de ceinturage sur le toit, le revêtement métallique du parapet de toit peut être utilisé tel qu'illustré aux Figures E.24 et E.30.



**Légende**

- 1 borne anticorrosive
- 2 conducteur souple
- 3 revêtement métallique du parapet

NOTE Il convient d'accorder une attention toute particulière au choix correct des matériaux et à la conception appropriée des bornes et des conducteurs de pontage pour éviter toute corrosion.

**Figure E.30 – Méthode de réalisation d'une continuité électrique sur un revêtement de parapet métallique**

La Figure E.27 montre une méthode d'installation de conducteurs maillés sur un toit.

Lorsqu'un dommage mécanique temporaire de la couche étanche du toit d'une structure est acceptable, le maillage de capture qui recouvre la surface plate du toit peut être remplacé par des conducteurs de capture naturels constitués par des barres d'armature d'acier en béton selon 5.2.4. Une solution alternative acceptable consiste à fixer les conducteurs de capture du SPF directement sur le toit en béton.

En général, un coup de foudre sur l'armature d'une toiture en béton endommage la couche étanche. La pluie peut alors entraîner la corrosion des tiges de renfort en acier et provoquer des dommages. Si une diminution de la contrainte mécanique du béton due à la corrosion n'est pas admise, il convient d'installer un dispositif de capture et de le relier de préférence à l'armature d'acier, pour éviter les impacts de foudre directs sur le béton armé.

Le revêtement métallique prévu pour la protection mécanique des parois extérieures (revêtement de parapet) peut être utilisé comme composant naturel du dispositif de capture selon 5.2.5 si aucun risque d'inflammation par fusion du métal n'existe.

Les revêtements conducteurs de toiture non conformes au Tableau 3 peuvent être utilisés comme dispositifs de capture lorsque la fusion au point d'impact de la foudre peut être tolérée. Dans le cas contraire, il convient que le revêtement conducteur de toiture soit protégé par un dispositif de capture de hauteur suffisante (voir les Figures E.20 et E.26). Dans ce cas, il convient d'appliquer la méthode de la sphère fictive. Pour être cohérent à cette méthode, la

taille de la maille doit être réduite et la hauteur des supports doit être supérieure à celle d'un dispositif de capture maillé ordinaire.

Lorsque des supports conducteurs sont utilisés, il convient que la connexion à la toiture supporte une partie du courant de foudre.

La Figure E.24 montre un exemple de dispositif de capture naturel utilisant un parapet de toiture comme conducteur de capture au bord de la toiture.

Lorsqu'il est acceptable que des dommages temporaires de la façade se produisent, et que des morceaux cassés de béton, d'une épaisseur jusqu'à 100 mm, puissent tomber de la structure, il est permis, selon 5.2, de remplacer le conducteur de ceinturage de toiture par un conducteur de ceinturage naturel constitué d'une armature d'acier dans le béton.

Les parties métalliques ne satisfaisant pas aux conditions des dispositifs de capture stipulées en 5.2.5 peuvent toutefois être utilisées pour l'interconnexion des différentes parties conduisant le courant de foudre sur la toiture.

#### **E.5.2.4.2.3 Structure blindée appropriée**

Les murs extérieurs et le toit d'une structure peuvent être utilisés comme blindage électromagnétique afin de protéger les matériels électriques et informatiques dans la structure (voir Annexe B de la CEI 62305-2:2010 et la CEI 62305-4).

La Figure E.27 donne un exemple de structure en béton armé utilisant les armatures d'acier interconnectées comme conducteurs de descente et comme blindage électromagnétique de l'espace délimité. Pour plus de détails, voir la CEI 62305-4.

A l'intérieur du domaine du dispositif de capture sur le toit, il convient que toutes les parties conductrices dont au moins une dimension est supérieure à 1 m soient interconnectées pour constituer une maille. Il convient de connecter le blindage maillé au dispositif de capture au bord du toit et également aux autres points de la toiture conformément à 6.2.

Les Figures E.24 et E.30 montrent des dispositifs de capture sur des structures à ossatures conductrices utilisant le parapet de toit comme dispositif de capture naturel et l'ossature comme conducteurs de descente naturels.

La Figure E.30 donne un exemple de méthode d'assurance de la continuité électrique des composants naturels d'un SPF.

En raison de la réduction de la taille du maillage des structures en acier par rapport au Tableau 2, le courant de foudre se répartit dans plusieurs conducteurs parallèles donnant lieu à une faible impédance électromagnétique, et, par voie de conséquence, conformément à 6.3, les distances de séparation sont réduites et les distances de séparation nécessaires entre les installations et le SPF ne sont pas requises.

Dans la plupart des structures, le toit est la partie la moins blindée de la structure. Il convient par conséquent d'accorder une attention toute particulière à l'amélioration de l'efficacité du blindage des toitures.

Lorsqu'aucun élément structural conducteur n'est incorporé dans la toiture, le blindage peut être amélioré par la réduction des espaces entre les conducteurs de toiture.

#### **E.5.2.4.2.4 Protection de fixations de toitures affleurantes ou en saillie**

Il convient que les tiges de capture pour la protection de fixations de toitures métalliques affleurantes ou présentant des parties proéminentes soient à une hauteur telle que la fixation à protéger se situe totalement dans l'espace de protection de la sphère fictive de la tige de capture, ou dans le cône de l'angle de protection conformément au Tableau 2. Il convient que

la distance de séparation entre les tiges de capture et les fixations de toiture soit telle que la condition de proximité stipulée en 6.3 soit satisfaite.

La Figure E.29 montre un exemple de protection de fixations de toiture par des tiges de capture utilisant la méthode de l'angle de protection. La valeur de l'angle de protection doit être conforme au niveau de protection du SPF stipulé dans le Tableau 2.

Les fixations métalliques de toiture, non protégées par des tiges de capture, ne nécessitent pas de protection complémentaire si leurs dimensions sont inférieures aux valeurs suivantes:

- hauteur au-dessus du toit: 0,3 m;
- surface totale de la fixation: 1,0 m<sup>2</sup>;
- longueur de la fixation: 2,0 m.

Il convient de relier les fixations de toiture métalliques affleurantes ne satisfaisant pas à ces exigences et ne relevant pas des exigences relatives à la distance de séparation selon 6.3, au dispositif de capture avec au moins un conducteur d'équipotentialité.

Les fixations de toiture non-conductrices qui ne sont pas dans le volume protégé par les tiges de capture et qui ne dépassent pas de plus de 0,5 m la surface formée par le dispositif de capture ne nécessitent pas de protection supplémentaire par les conducteurs de capture.

Les éléments conducteurs tels que conducteurs électriques ou canalisations métalliques, cheminant depuis des fixations de toiture affleurantes jusqu'à l'intérieur du bâtiment, peuvent écouler un courant de foudre considérable dans le bâtiment. Lorsque de telles connexions conductrices existent, il convient de protéger les fixations en saillie sur la toiture par des dispositifs de capture. Si la protection au moyen de dispositifs de capture n'est pas possible ou est onéreuse, des parties isolées de longueur correspondant au moins au double de la distance de séparation spécifiée, peuvent être installées dans les installations conductrices (par exemple, canalisations d'air comprimé).

Il convient de protéger les cheminées en matériau non-conducteur par des tiges ou des ceinturages de capture lorsqu'elles ne se trouvent pas dans l'espace de protection d'un dispositif de capture. Il convient que la hauteur de la tige de capture d'une cheminée soit telle que la cheminée complète se trouve dans l'espace de protection de la tige.

Un coup de foudre sur une cheminée non-conductrice est possible lorsque la cheminée n'est pas située dans l'espace de protection d'un dispositif de capture, du fait que la surface interne de la cheminée est recouverte de suie, dont la conductivité, même en l'absence de pluie, est capable de conduire le courant d'un canal de décharge de grande longueur.

La Figure E.22b montre la mise en œuvre d'une tige de capture sur une cheminée en briques isolantes.

#### **E.5.2.4.2.5 Protection de fixations de toiture incluant des matériels électriques ou informatiques**

Il convient que toutes les fixations de toiture en matériau non-conducteur ou conducteur comportant des matériels électriques et/ou informatiques se situent dans l'espace de protection du dispositif de capture.

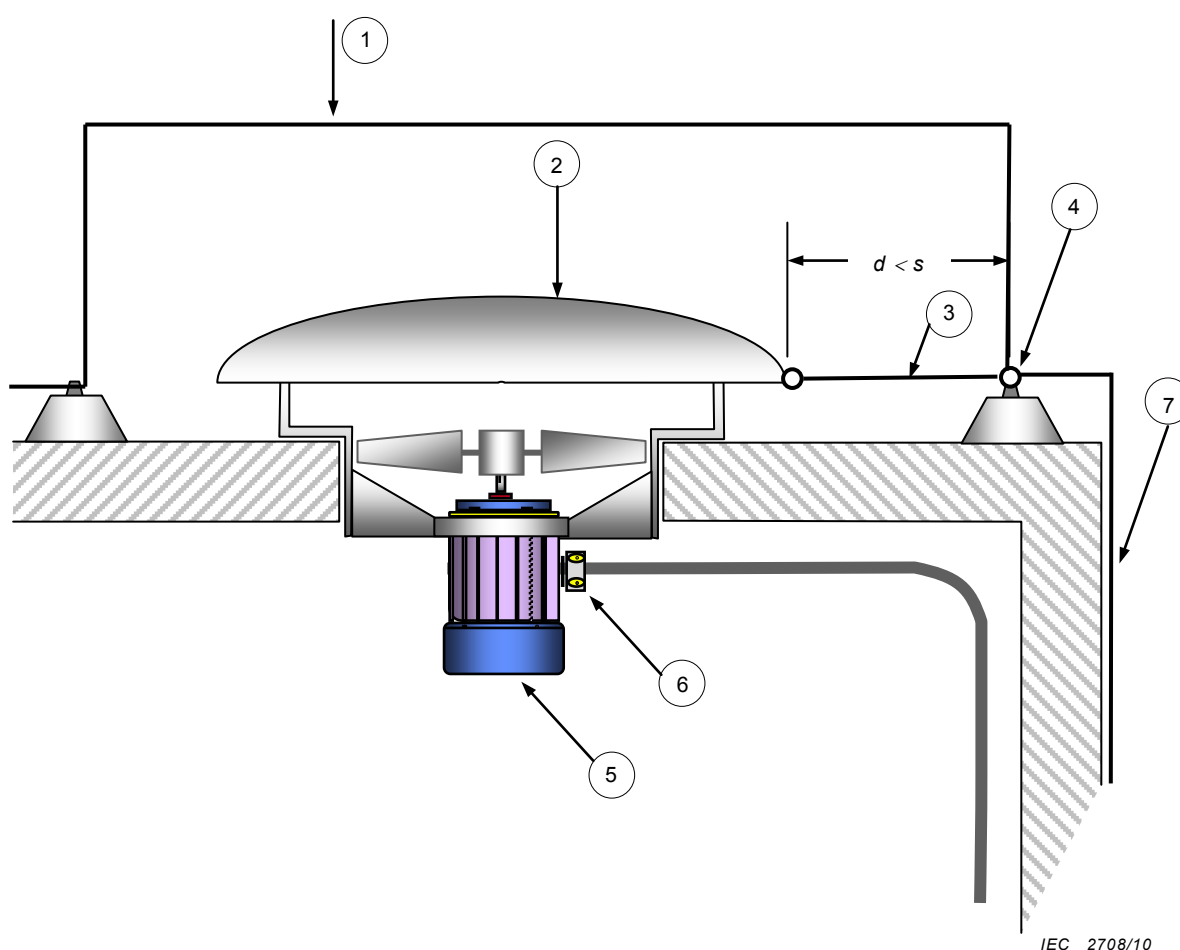
Un coup de foudre direct sur les matériels situés dans cet espace est improbable.

Un coup de foudre direct sur une fixation de toiture conduit non seulement à la destruction de cette fixation, mais également à des dommages importants aux matériels électriques et électroniques connectés aussi bien à la fixation de toiture qu'à l'intérieur du bâtiment.

Il convient que les fixations de toiture sur des structures en acier se situent également dans l'espace de protection du dispositif de capture. Dans ce cas, il convient que les conducteurs de capture faisant saillie soient reliés non seulement au dispositif de capture, mais également directement à la structure en acier, si possible. Lorsque ces conducteurs sont reliés à la structure, il n'est pas nécessaire qu'ils soient conformes à la distance de séparation.

Il convient que les exigences relatives aux fixations de toiture s'appliquent également aux fixations installées sur des surfaces verticales sur lesquelles un impact de foudre est possible, c'est-à-dire qui peuvent être touchées par la sphère fictive.

Les Figures E.29 et E.31 contiennent des exemples de dispositifs de capture qui protègent les fixations de toiture d'installations électriques de protection en matériau conducteur et isolant. La Figure E.31 n'est appropriée que si la distance de séparation,  $s$ , ne peut être maintenue.



#### Légende

- 1 conducteur de capture
- 2 enveloppe métallique
- 3 conducteur d'équipotentialité
- 4 conducteur de capture horizontal
- 5 matériel électrique
- 6 boîte de jonction de puissance électrique - parafoudre
- 7 conducteur de descente

NOTE Le matériel électrique protégé est relié au dispositif de capture conforme à E.5.2.4.2.6, par le câble métallique blindé supportant une part importante du courant de foudre.

**Figure E.31 – Fixation métallique de toiture protégée contre les impacts directs de la foudre, connectée au dispositif de capture**

NOTE Si les fixations nécessitent une protection supplémentaire, des parafoudres installés sur les câbles actifs connectés aux dites fixations peuvent être placés au niveau du toit.

Il convient que la distance de séparation requise soit maintenue non seulement dans l'air, mais également pour le passage dans des matériaux pleins ( $k_m = 0,5$ ).

#### **E.5.2.4.2.6 Installation électrique faisant saillie de l'espace à protéger**

Il convient que les mâts d'antennes installés sur la toiture d'une structure soient protégés contre les impacts de foudre directs en installant le mât d'antenne dans un volume déjà protégé.

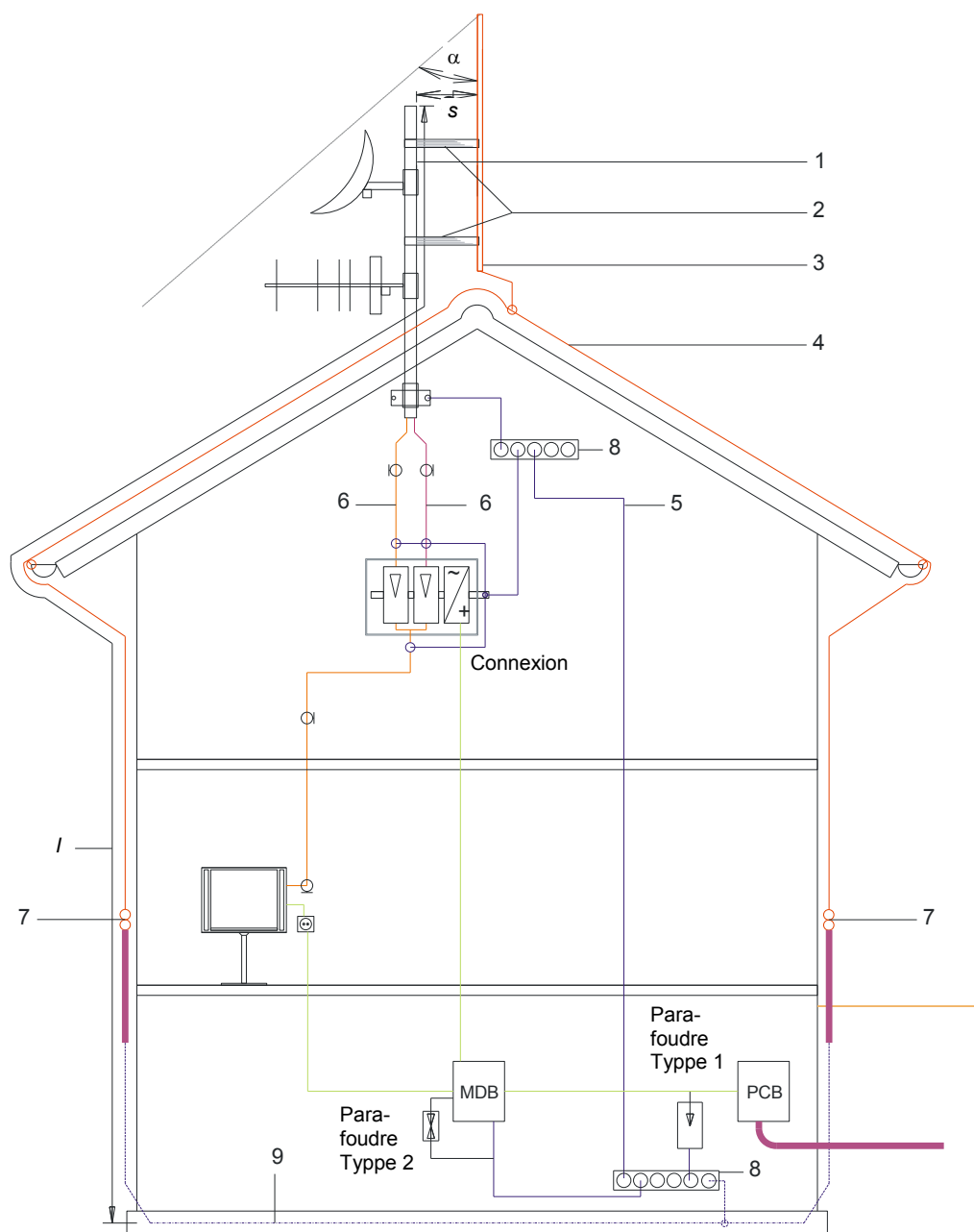
Il convient que le mât d'antenne soit intégré au SPF (voir également la CEI 60728-11<sup>[6]</sup>).

Un SPF externe isolé (voir Figure E.32a) ou un SPF externe non isolé (voir Figure E.32b) peut être utilisé.

Dans ce dernier cas, il convient que le mât d'antenne soit connecté au dispositif de capture. Les courants partiels de foudre sont alors traités comme étant à l'intérieur de la structure à protéger. Il convient que le câble d'antenne pénètre dans la structure de préférence au point d'entrée commun de tous les services ou à proximité de la barre d'équipotentialité principale du SPF. Il convient que la gaine conductrice du câble d'antenne soit reliée au dispositif de capture sur le toit et à la barre d'équipotentialité principale.

Il convient que les fixations de toiture hébergeant des matériels électriques pour lesquelles la distance de séparation ne peut être maintenue, soient reliées au dispositif de capture et aux éléments conducteurs des fixations de toiture, ainsi qu'au blindage conducteur de leurs matériels électriques conformément au Tableau 9.

La Figure E.31 constitue un exemple de méthode de liaison d'une fixation de toiture avec les parties conductrices à une installation électrique et au dispositif de capture d'une structure.

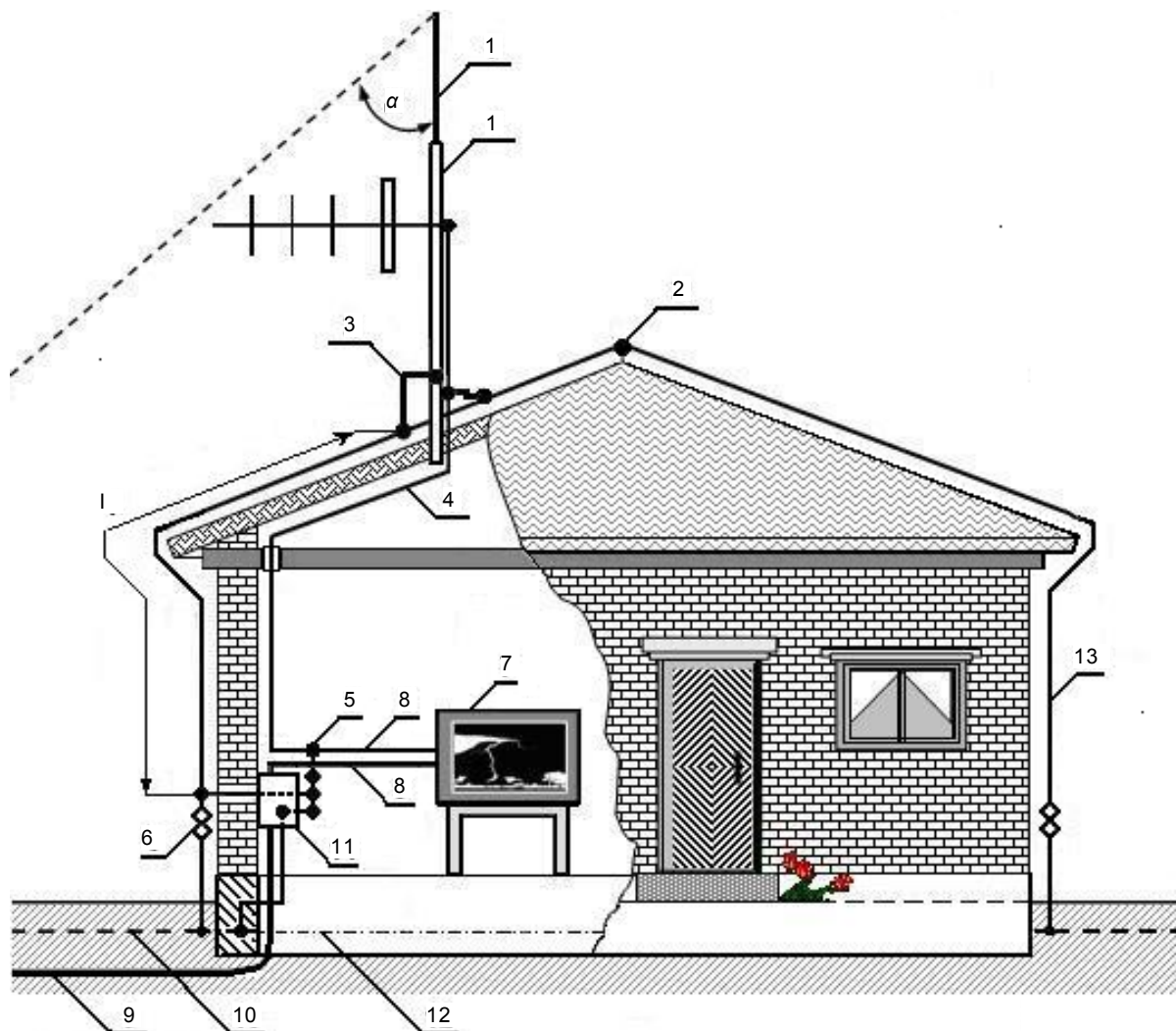


IEC 2709/10

### Légende

- 1 mât métallique
- 2 isolateur
- 3 tige de capture
- 4 conducteur de capture
- 5 conducteur d'équipotentialité
- 6 câble d'antenne
- 7 borne d'essai
- 8 barre d'équipotentialité
- 9 prise de terre à fond de fouille
- $\alpha$  angle de protection
- $s$  distance de séparation
- $l$  longueur à prendre en compte pour le calcul de la distance de séparation
- MDB tableau de distribution principal
- PCB tableau de connexion d'alimentation

**Figure E.32a – Mât d'antenne TV et antennes protégés avec des dispositifs de capture isolés prévus selon la méthode de l'angle de protection**



IEC 2710/10

**Légende**

- 1 mât métallique
- 2 conducteur de capture horizontal en bordure du toit
- 3 connexion entre le conducteur de descente de toiture et le mât de l'antenne métallique
- 4 câble d'antenne
- 5 barre d'équipotentialité principale; blindage métallique du câble d'antenne relié à la barre d'équipotentialité
- 6 borne d'essai
- 7 TV
- 8 chemins parallèles des câbles d'antenne et de puissance électrique
- 9 câble de puissance électrique
- 10 réseau de prises de terre
- 11 tableau de distribution principal avec parafoudre
- 12 prise de terre à fond de fouille
- 13 conducteur du SPF
- $\alpha$  angle de protection
- $l$  longueur à prendre en compte pour le calcul de la distance de séparation

NOTE Pour des petites structures, deux conducteurs de descente uniquement peuvent être suffisants, selon 5.3.3.

**Figure E.32b – Antenne TV utilisant le mât comme tige de capture**

**Figure E.32 – Exemples d'installation d'un système de protection contre la foudre d'une maison avec antenne TV**

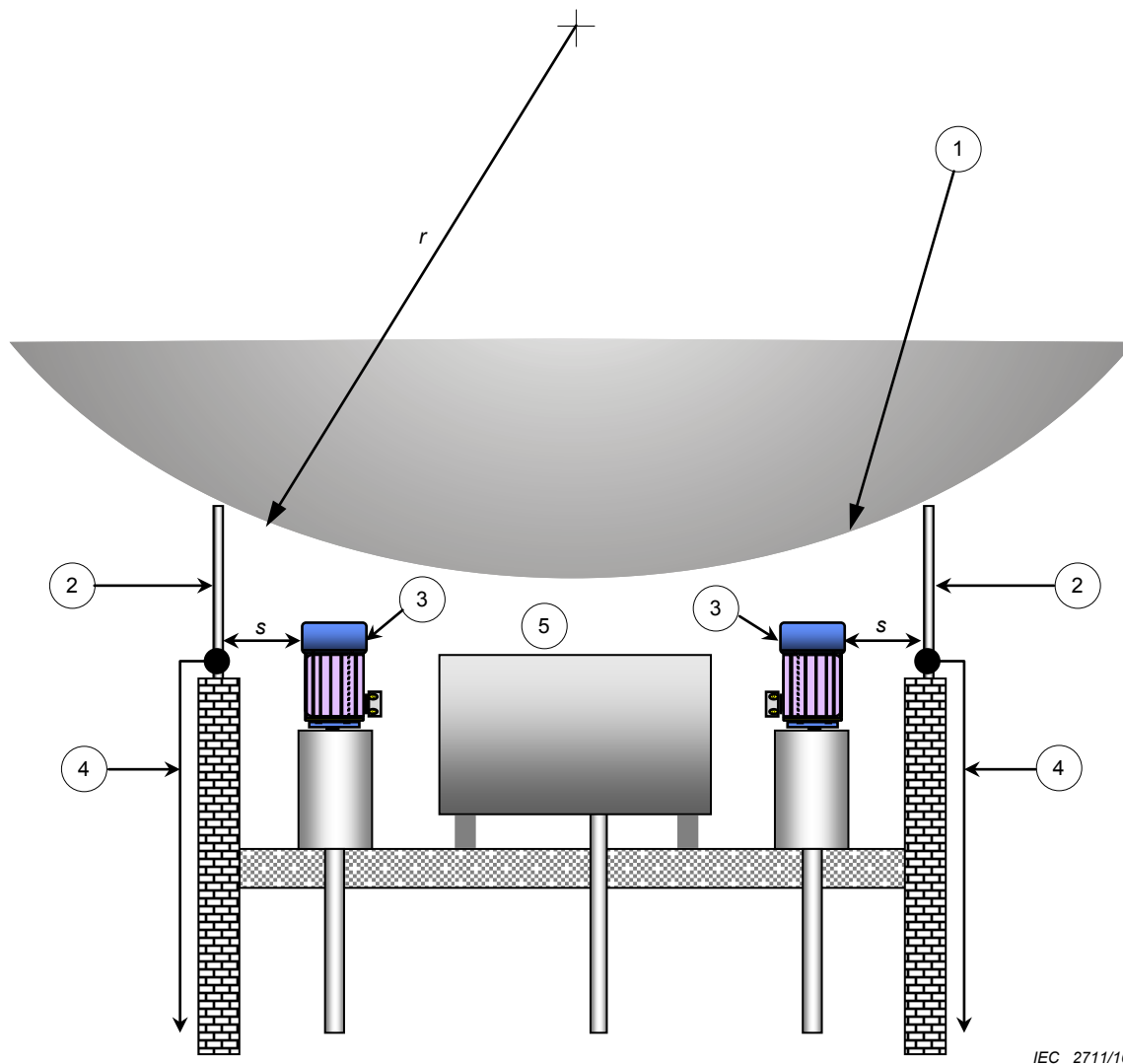
**E.5.2.4.2.7 Protection des parties conductrices de toiture**

Il convient de protéger par des conducteurs de capture les éléments conducteurs, tels que ceux à faible épaisseur de paroi qui ne peuvent pas résister aux impacts de foudre et qui sont



installés sur des toitures, ainsi que les revêtements de toiture conducteurs, ou d'autres parties de structures non conformes aux exigences relatives aux dispositifs de capture naturels selon 5.2.5 et le Tableau 3, et pour lesquels un impact de foudre ne peut être toléré.

Pour la conception de la protection contre la foudre des parties conductrices de la toiture, il convient d'appliquer la méthode de la sphère fictive (voir Figure E.33).



#### Légende

- 1 sphère fictive
- 2 tige de capture
- 3 matériel électrique
- 4 conducteur de descente
- 5 cuve métallique
- $r$  rayon de la sphère fictive, voir Tableau 2
- $s$  distance de séparation selon 6.3

**Figure E.33 – Installation d'un système de protection contre la foudre d'un équipement métallique de toiture contre un impact de foudre direct**

La Figure E.31 constitue un exemple de conception d'un dispositif de capture protégeant une fixation de toiture conductrice contre un impact de foudre direct lorsque la distance de séparation,  $s$ , ne peut être maintenue.

#### **E.5.2.4.2.8 Protection de structures recouvertes de terre**

Pour les structures dont la toiture comporte une couche de terre, et sans présence régulière de personnes, un SPF normal peut être utilisé. Il convient que le dispositif de capture soit un maillage placé au sommet de la couche de terre, ou qu'il soit constitué de plusieurs tiges de capture, interconnectées par un maillage enterré, conforme à la méthode de la sphère fictive ou de l'angle de protection. Si cela n'est pas possible, il convient d'admettre qu'un dispositif de capture enterré sans tiges ou épis de faîtage offrira une efficacité d'interception réduite.

Les structures dont la toiture comporte une couche de terre d'une épaisseur jusqu'à 0,5 m, et avec présence régulière de personnes, nécessitent un dispositif de capture maillé avec des mailles de 5 m × 5 m afin d'éviter des tensions de pas dangereuses. Pour protéger les personnes au sol contre les impacts de foudre directs, des tiges de capture conformes à la méthode de la sphère fictive peuvent également être nécessaires. Ces tiges peuvent être remplacées par des dispositifs de capture naturels tels que des barrières, mâts d'éclairage, etc. La hauteur des dispositifs de capture doit prendre en compte une hauteur de personne de 2,5 m avec les distances de séparation nécessaires (voir également Figure E.3).

Si cela ne peut être réalisé, il convient que les personnes soient prévenues, qu'en cas d'orage, elles peuvent être exposées à un impact de foudre direct.

Pour des structures enterrées recouvertes d'une couche de terre supérieure à 0,5 m, des mesures de protection sont à l'étude. En l'absence de recherches effectives, il est recommandé d'utiliser les mêmes mesures que pour des couches de terre jusqu'à 0,5 m.

Pour les structures enterrées contenant des explosifs, un SPF complémentaire doit être requis. Ce SPF supplémentaire peut être isolé et installé sur la structure. Il convient que les réseaux de prises de terre des deux dispositifs de protection soient interconnectés.

#### **E.5.2.5 Composants naturels**

Sur les structures avec toitures en terrasse, le revêtement métallique du parapet du toit représente un composant naturel typique du réseau de dispositifs de capture d'un SPF. Un tel revêtement comprend des parties extrudées ou courbées en aluminium, acier galvanisé ou cuivre en forme de U protégeant la surface supérieure du parapet du toit contre les intempéries. L'épaisseur minimale donnée dans le Tableau 3 doit être utilisée pour ce type d'application.

Il convient de connecter les conducteurs de capture, les conducteurs installés sur la surface du toit et les conducteurs de descente au revêtement du parapet.

Il convient de prévoir un pontage conducteur aux bornes installées entre les sections de panneaux du parapet, sauf s'il existe une continuité correcte et fiable entre elles.

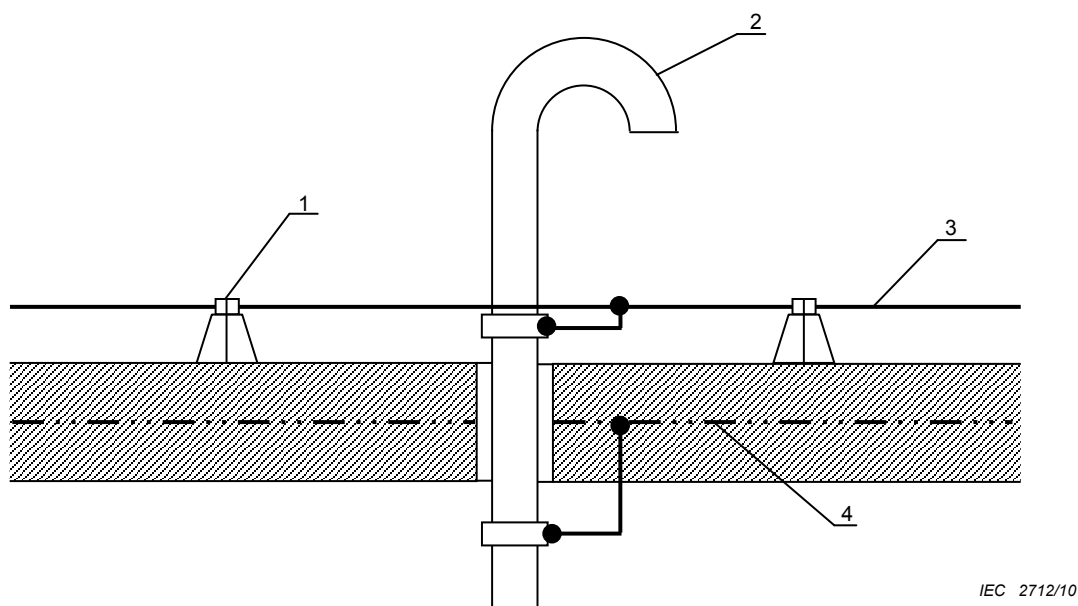
La Figure E.24 constitue un exemple de dispositif de capture utilisant le revêtement conducteur des parapets comme conducteur de capture naturel du SPF.

Les parties conductrices, telles que des réservoirs métalliques, canalisations métalliques et rails installés sur ou au-dessus de la surface d'une toiture, peuvent être considérées comme les composants naturels d'un dispositif de capture à condition que leur épaisseur de paroi soit conforme au Tableau 3.

Il convient que les cuves et canalisations contenant des gaz ou des liquides à haute pression ou des gaz et liquides inflammables ne soient pas utilisées comme dispositifs de capture naturels. Lorsque cela ne peut être évité, il convient de tenir compte des échauffements dus aux courants de foudre lors de la conception des canalisations.

Les parties conductrices au-dessus de la surface d'une toiture, telles que des réservoirs métalliques, sont souvent naturellement reliées aux équipements intérieurs de la structure. Il est nécessaire, afin d'empêcher le courant de foudre total de s'écouler à l'intérieur de la structure, de réaliser une bonne connexion entre ces composants naturels du SPF et le maillage de capture.

La Figure E.34 constitue un exemple présentant les détails de la connexion des fixations de toiture conductrices aux conducteurs de capture.



#### Légende

- 1 fixation d'un conducteur de capture
- 2 canalisation métallique
- 3 conducteur de capture horizontal
- 4 armure d'acier dans le béton

NOTE 1 Il convient que la canalisation métallique soit conforme à 5.2.5 et au Tableau 6, que le conducteur d'équipotentialité soit conforme au Tableau 6 et l'armature conforme à 4.3. Il convient que l'équipotentialité de la toiture soit étanche.

NOTE 2 Dans ce cas particulier, l'équipotentialité est établie pour l'armature de la structure en béton armé.

#### Figure E.34 – Connexion d'une tige de capture naturelle au conducteur de capture

Il convient que les parties conductrices au-dessus de la surface d'une toiture telles que des réservoirs métalliques et des tiges de renfort en acier dans le béton, soient connectées au réseau de capture.

Lorsqu'un coup de foudre direct sur la partie conductrice de la toiture n'est pas acceptable, la partie conductrice doit être installée dans l'espace de protection d'un dispositif de capture.

Il convient de traiter les revêtements conducteurs de façades et les parties équivalentes des structures où le risque de feu est négligeable conformément à 5.2.5.

La Figure E.35 montre un exemple de pontage conducteur entre des panneaux de façades métalliques acceptables dans les applications où les panneaux doivent être utilisés comme conducteurs de descente naturels. Deux méthodes sont présentées: pontage par lien métallique souple et pontage par vis autoforeuses.

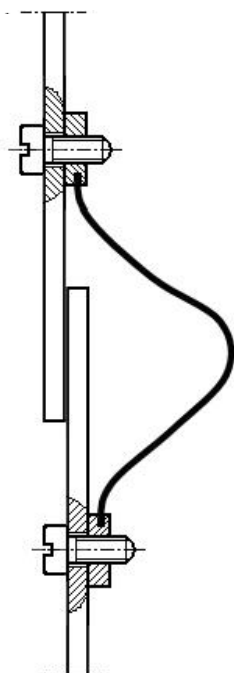


Figure E.35a – Pontage par lien métallique souple

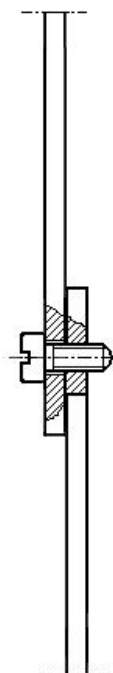


Figure E.35b – Pontage par vis autoforeuses

IEC 2713/10

NOTE Un pontage électriquement conducteur améliore, en particulier, la protection contre l'IMF. Des informations complémentaires concernant la protection contre l'IMF sont fournies dans la CEI 62305-4.

### Figure E.35 – Réalisation du pontage entre les segments de panneaux de façade métalliques

#### E.5.2.6 Dispositif de capture isolé

Les mâts de capture adjacents aux structures ou matériels à protéger sont destinés à minimiser la possibilité de coups de foudre sur les structures dans leur zone de protection lorsqu'un SPF isolé est installé.

Lorsque plusieurs mâts sont installés, ils peuvent être interconnectés au moyen de conducteurs aériens et il convient que la proximité des installations avec le SPF soit conforme à 6.3.

Les conducteurs aériens entre les mâts accroissent le volume protégé et permettent également la répartition du courant de foudre entre plusieurs chemins de conducteurs de descente. La chute de tension dans le SPF et les perturbations électromagnétiques dans l'espace à protéger sont par conséquent inférieures à celles observées en l'absence de conducteurs aériens.

La force du champ électromagnétique dans la structure est réduite en raison de la distance plus élevée entre les installations dans la structure et le SPF. Un SPF isolé peut également être appliqué à une structure en béton armé, lequel améliore d'autant plus l'écran électromagnétique. Toutefois, pour des structures de grande hauteur, la réalisation d'un SPF isolé n'est pas pratique.

Les dispositifs de capture isolants constitués de fils tendus sur des supports isolants peuvent se révéler appropriés lorsque plusieurs fixations faisant saillie sur la surface de la toiture doivent être protégées. Il convient que l'isolation des supports soit appropriée à la tension calculée par rapport à la distance de séparation conformément à 6.3.

NOTE Les conditions d'environnement (pollution) peuvent réduire la rupture de tension de l'air; il convient de tenir compte de cet élément lors de la détermination de la séparation nécessaire entre le dispositif de capture isolé et la structure.

### **E.5.3 Conducteurs de descente**

#### **E.5.3.1 Généralités**

Il convient que le choix du nombre et de la position des conducteurs de descente prenne en compte le fait que, si le courant de foudre se partage entre plusieurs conducteurs de descente, le risque d'impact latéral et de perturbations électromagnétiques dans la structure est réduit. Il s'ensuit que, dans toute la mesure du possible, il convient que les conducteurs de descente soient uniformément et symétriquement disposés le long du périmètre de la structure.

Le partage du courant est amélioré non seulement par l'augmentation du nombre de conducteurs de descente, mais également par les ceinturages d'interconnexion équipotentielle.

Il convient que les conducteurs de descente soient placés aussi loin que possible des circuits internes et des parties métalliques afin d'éviter de recourir à toute équipotentialité avec le SPF.

Il convient de rappeler que

- les conducteurs de descente sont aussi courts que possible (pour maintenir une inductance la plus faible possible),
- la distance typique entre les conducteurs de descente est indiquée dans le Tableau 4,
- la géométrie des conducteurs de descente et des ceinturages d'interconnexion équipotentielle a une influence sur la valeur de la distance de séparation (voir 6.3),
- pour des structures en encorbellement, il convient que la distance de séparation soit également évaluée en fonction du risque de décharge latérale sur les personnes (voir E.4.2.4.2).

S'il n'est pas possible de placer les conducteurs de descente sur un côté ou sur une partie d'un côté du bâtiment pour des contraintes pratiques ou architecturales, il convient que les conducteurs qui auraient dû être installés sur ce côté soient disposés comme conducteurs de compensation supplémentaires sur les autres côtés. Il convient que les distances entre ces conducteurs de descente ne soient pas inférieures à un tiers des distances indiquées dans le Tableau 4.

Une variation de l'espacement des conducteurs de  $\pm 20\%$  est acceptable tant que l'espacement moyen est conforme au Tableau 4.

Dans des cours fermées avec plus de 30 m de périmètre, des conducteurs de descente doivent être installés. Les valeurs typiques de distance entre les conducteurs de descente sont données dans le Tableau 4.

#### **E.5.3.2 Nombre de conducteurs de descente pour un SPF isolé**

Pas d'informations complémentaires.

#### **E.5.3.3 Nombre de conducteurs de descente pour un SPF non isolé**

Comme indiqué en 5.3.3, il convient d'installer un conducteur de descente à chaque angle exposé de la structure, lorsque cela est possible. Il n'est toutefois pas nécessaire d'adjoindre un conducteur de descente à un angle exposé si la distance entre cet angle et les conducteurs de descente les plus proches satisfait aux conditions suivantes:

- la distance par rapport aux deux conducteurs de descente adjacents correspond à la moitié ou moins de la distance selon le Tableau 4, ou
- la distance par rapport à un conducteur de descente adjacent correspond au quart ou moins de la distance selon le Tableau 4.

Les angles intérieurs peuvent ne pas être pris en considération.

#### **E.5.3.4 Mise en œuvre**

##### **E.5.3.4.1 Informations générales**

Il convient que les conducteurs de descente extérieurs soient installés entre le dispositif de capture et le réseau de prises de terre. Lorsque des composants naturels existent, ils peuvent être utilisés comme conducteurs de descente.

Si la distance de séparation entre les conducteurs de descente et les installations intérieures, calculée sur la base de l'espacement entre les conducteurs de descente selon le Tableau 4, est trop élevée, il convient d'augmenter le nombre de conducteurs de descente afin de satisfaire à la distance de séparation requise.

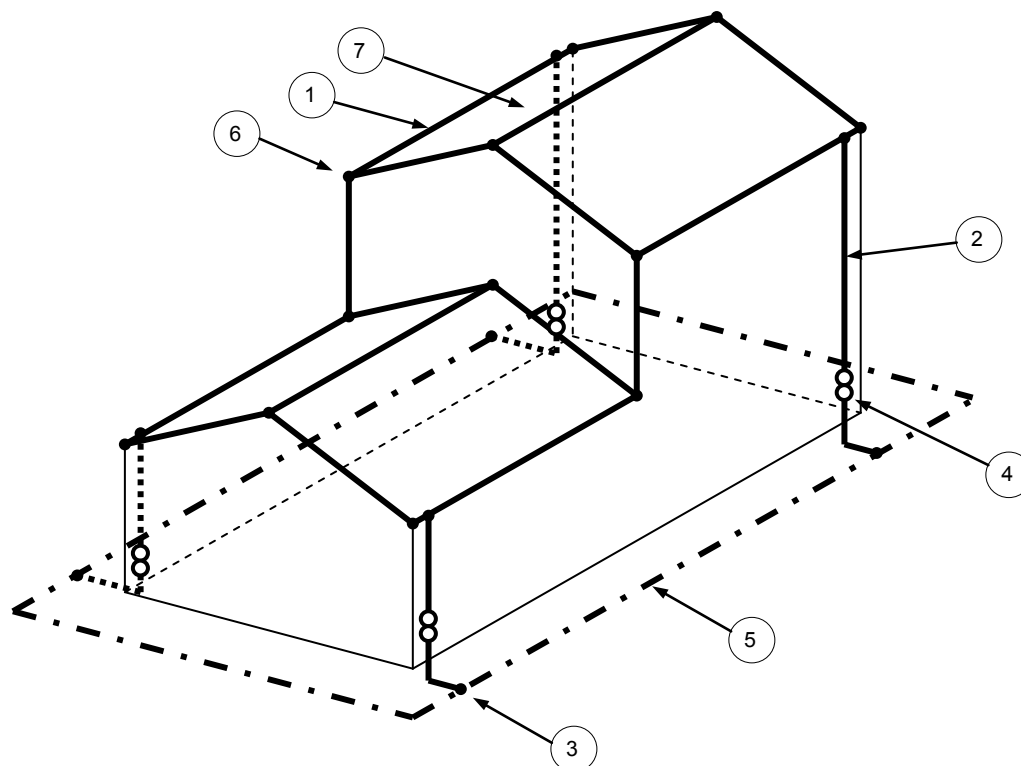
Il convient que les dispositifs de capture, les conducteurs de descente et les réseaux de prises de terre soient coordonnés de manière que le cheminement du courant de foudre soit le plus court possible.

Il convient que les conducteurs de descente soient de préférence reliés aux nœuds du réseau de capture et rejoignent verticalement les connexions du réseau de prises de terre.

S'il n'est pas possible de réaliser une connexion directe en raison de larges surplombs, etc., il convient de réaliser une connexion entre le dispositif de capture et le conducteur de descente par une liaison dédiée sans utiliser des composants naturels tels que des gouttières, etc.

Il est admis, lorsqu'il est nécessaire de tenir compte de l'aspect esthétique, d'appliquer une mince couche de peinture de protection ou un mince revêtement en PVC sur les conducteurs de descente extérieurs.

La Figure E.36 est un exemple de SPF extérieur pour une structure avec divers niveaux de toiture et la Figure E.25 est un exemple de SPF extérieur pour une structure de 60 m à toiture plate et avec fixations de toit.



IEC 2714/10

**Légende**

- 1 conducteur de capture horizontal
- 2 conducteur de descente
- 3 borne T - résistante à la corrosion
- 4 borne d'essai
- 5 disposition de terre de type B, prise de terre en boucle
- 6 borne T sur l'arête du toit
- 7 taille de maille

NOTE Il convient que la distance entre les conducteurs de descente soit conforme à 5.2, 5.3 et au Tableau 4.

**Figure E.36 – Installation d'un SPF extérieur sur une structure en matériau isolant avec différents niveaux de toiture**

Dans les structures sans parties conductrices importantes, le courant de foudre ne s'écoule que dans les conducteurs ordinaires du SPF. De ce fait, la géométrie des conducteurs de descente définit les champs électromagnétiques dans la structure (voir Figure E.37).

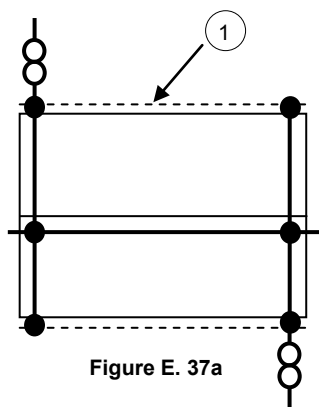


Figure E. 37a

IEC 2715/10

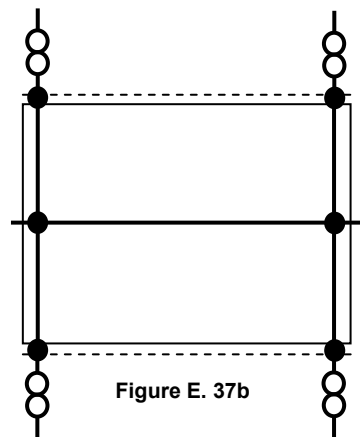


Figure E. 37b

IEC 2716/10

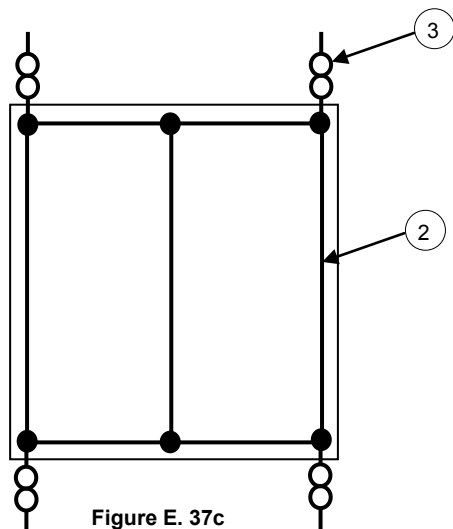


Figure E. 37c

IEC 2717/10

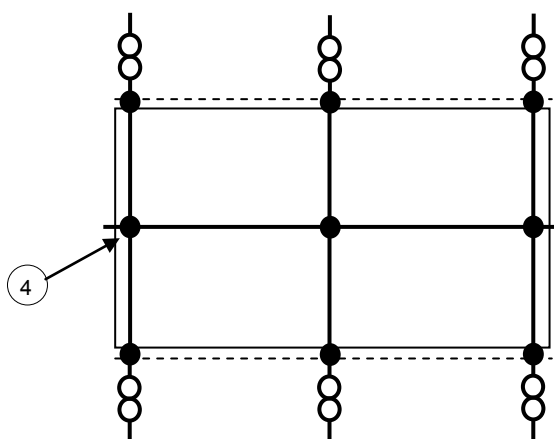


Figure E. 37d

IEC 2718/10

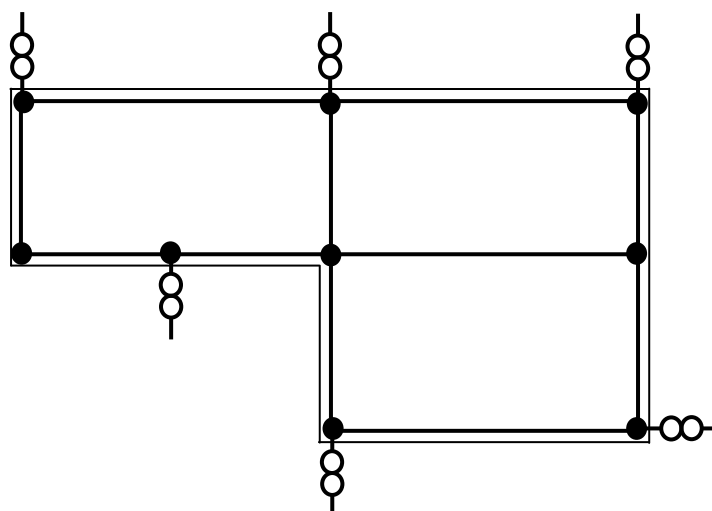


Figure E. 37e

IEC 2719/10

**Légende**

- 1 composants naturels du SPF, par exemple, gouttières
- 2 conducteurs du SPF
- 3 borne d'essai
- 4 borne

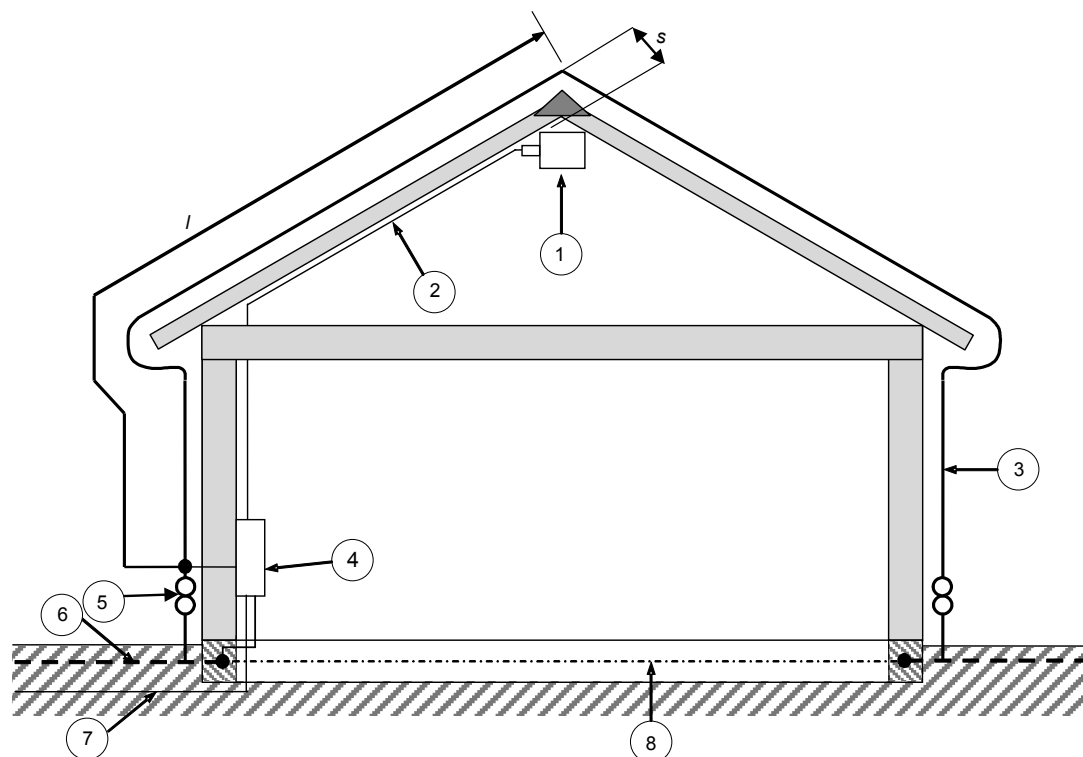
NOTE Il convient que la distance entre les conducteurs de descente et les mailles soit conforme au niveau de protection contre la foudre choisi selon les Tableaux 2 et 4.

**Figure E.37 – Exemples de géométrie des conducteurs de SPF**



Lorsque le nombre de conducteurs de descente est accru, la distance de séparation peut être diminuée en fonction du coefficient  $k_c$  (voir 6.3).

Selon 5.3.3, il convient d'utiliser au moins deux conducteurs de descente sur une structure.



IEC 2720/10

#### Légende

- 1 matériel électrique
- 2 conducteurs électriques
- 3 conducteurs du SPF
- 4 tableau de distribution principal avec parafoudres
- 5 borne d'essai
- 6 réseau de prises de terre
- 7 câble de puissance électrique
- 8 prise de terre à fond de fouille
- s distance de séparation selon 6.3
- l longueur pour l'évaluation de la distance de sécurité s

NOTE L'exemple illustre les problèmes causés par l'installation électrique ou d'autres installations conductrices dans les combles d'un bâtiment.

#### Figure E.38 – Installation d'un SPF avec uniquement deux conducteurs de descente et prises de terre à fond de fouille

Dans les structures importantes, telles que les immeubles d'habitation de grande hauteur et, en particulier, les structures industrielles et administratives, souvent conçues en ossature métallique ou acier et béton ou en béton armé, les composants conducteurs peuvent être utilisés comme conducteurs de descente naturels.

L'impédance totale du SPF pour de telles structures est assez faible et constitue une protection très efficace contre la foudre des installations intérieures. Il est particulièrement avantageux d'utiliser les parois conductrices comme conducteurs de descente. Ces parois peuvent être en béton armé, métalliques ou en panneaux préfabriqués en béton, à condition qu'elles soient interconnectées selon 5.3.5.

La Figure E.4 donne une description détaillée de l'installation appropriée d'un SPF utilisant les composants naturels de ce dernier tels que les armures interconnectées.

L'utilisation de composants naturels constitués de structures en acier réduit la chute de tension entre le dispositif de capture et le réseau de prises de terre, ainsi que les perturbations électromagnétiques dues au courant de foudre dans la structure.

Si le dispositif de capture est relié aux parties conductrices des colonnes de la structure et à l'équipotentialité au niveau du sol, une partie du courant de foudre s'écoule dans ces conducteurs de descente intérieurs. Le champ magnétique induit par ce courant de foudre partiel influence les matériels environnants et doit être pris en compte lors de la conception du SPF intérieur et des installations électriques et électroniques. L'amplitude de ces courants partiels dépend des dimensions de la structure et du nombre de colonnes, en supposant que la forme du courant suive celle du courant de foudre.

Si le dispositif de capture est isolé par rapport aux colonnes internes, aucun courant ne s'écoule dans les colonnes de la structure, à condition que l'isolation ne présente pas de défaut. Si l'isolation présente un défaut non prévu, un courant partiel plus important peut s'écouler dans une ou plusieurs colonnes. La raideur du courant peut augmenter en raison de la durée virtuelle réduite de la forme d'onde due au défaut et les matériels environnants subissent une influence plus importante que celle qui existerait en cas d'équipotentialité contrôlée entre les colonnes et le SPF de la structure.

La Figure E.10 est un exemple de mise en œuvre de conducteurs de descente intérieurs dans une structure en béton armé de grande dimension utilisée à des fins industrielles. L'environnement électromagnétique à proximité des colonnes internes doit être considéré lors de la conception du SPF intérieur.

#### **E.5.3.4.2 Conducteurs de descente non isolés**

Dans les structures avec de nombreuses parties conductrices sur les parois extérieures, il convient de connecter les conducteurs de capture et le réseau de prises de terre aux parties conductrices de la structure en plusieurs points. Cela réduit la distance de séparation selon 6.3.

Suite à ces connexions, les parties conductrices d'une structure sont utilisées comme conducteurs de descente et également comme barres d'équipotentialité.

Dans des structures importantes plates (typiquement établissements industriels, halls d'exposition, etc.) dont les dimensions dépassent quatre fois l'espacement entre les conducteurs de descente, il convient d'installer des conducteurs de descente intérieurs supplémentaires si possible tous les 40 m environ, et ce, pour réduire au minimum la distance de séparation lorsque le courant de foudre s'écoule sur de longues distances sur une toiture en terrasse.

Il convient que toutes les colonnes intérieures et toutes les cloisons internes avec parties conductrices soient connectées au dispositif de capture et au réseau de prises de terre aux points appropriés.

La Figure E.10 donne un exemple de SPF pour une structure étendue avec des colonnes internes en béton armé. Afin d'éviter tout étincelage dangereux entre les différentes parties conductrices de la structure, l'armature des colonnes est reliée au dispositif de capture et au réseau de prises de terre. Ainsi, une partie du courant de foudre s'écoule dans ces conducteurs de descente intérieurs. Toutefois, le courant de foudre se divise entre plusieurs conducteurs de descente et présente approximativement la même forme d'onde que le courant de choc. La raideur du front d'onde est toutefois réduite. Si les interconnexions ne sont pas réalisées et qu'un amorçage apparaît, seuls un ou quelques conducteurs de descente intérieurs peuvent écouler le courant.

La forme d'onde du courant d'amorçage est considérablement plus raide que le courant de foudre, et, ainsi la tension induite dans les boucles de circuit proches est considérablement augmentée.

Pour de telles structures, avant de commencer leur conception, il convient tout particulièrement d'harmoniser les conceptions de la structure et du SPF afin que les parties conductrices puissent être utilisées pour la protection contre la foudre. Une conception parfaitement coordonnée permet d'obtenir un SPF extrêmement efficace à un coût minimal.

Il convient de concevoir la protection contre la foudre de l'espace et des personnes situés sous un étage supérieur suspendu, tel qu'un étage supérieur en encorbellement, selon 4.2.4.2 et la Figure E.3.

L'encastrement direct des conducteurs de descente dans le plâtre extérieur n'est pas recommandé car le plâtre peut être endommagé par expansion thermique. De plus, il peut se décolorer par réaction chimique. Le plâtre est surtout endommagé par l'élévation de température et les contraintes mécaniques dues au courant de foudre; les conducteurs gainés en PVC préviennent la décoloration.

#### **E.5.3.5 Composants naturels**

L'utilisation de conducteurs de descente naturels pour augmenter le nombre total de conducteurs de courant parallèles est recommandée dans la mesure où cela réduit la chute de tension dans les conducteurs et réduit les perturbations électromagnétiques dans la structure. Cependant, il convient de s'assurer que ces conducteurs de descente sont électriquement continus tout au long du chemin entre le dispositif de capture et le réseau de prises de terre.

Il convient d'utiliser l'armature d'acier dans les murs en béton comme composant naturel du SPF, tel qu'illustré à la Figure E.27.

Il convient que les armatures en acier de structures nouvelles soient spécifiées conformément à E.4.3. Si la continuité électrique des conducteurs de descente naturels ne peut être garantie, il convient d'installer des conducteurs de descente conventionnels.

Une gouttière métallique satisfaisant aux conditions de conducteurs de descente naturels selon 5.3.5 peut être utilisée comme conducteur de descente.

Les Figures E.22a, E.22b et E.22c montrent des exemples de fixation des conducteurs sur la toiture et des conducteurs de descente avec leurs dimensions géométriques appropriées. Les Figures E.22c et E.22d montrent les connexions du conducteur de descente à la gouttière métallique, aux gouttières conductrices et au conducteur de terre.

Les tiges de renfort des parois ou les colonnes en béton et les ossatures en acier peuvent être utilisées comme conducteurs de descente naturels.

Une façade métallique ou un revêtement de façade d'une structure peut être utilisé comme conducteur de descente naturel selon 5.3.5.

La Figure E.8 montre l'installation d'un réseau de conducteurs de descente naturels utilisant les éléments métalliques des façades et les armatures d'acier des murs en béton comme plan de référence d'équipotentialité auquel sont reliées les barres d'équipotentialité du SPF intérieur.

Il convient que les connexions soient prévues en haut du revêtement du mur pour le dispositif de capture et en bas pour le réseau de prises de terre et les tiges de renfort des murs en béton, le cas échéant.

La distribution du courant dans de telles façades métalliques est meilleure que dans les murs en béton armé. Les façades métalliques comprennent des panneaux individuels généralement de section trapézoïdale, de largeur comprise entre 0,6 m et 1,0 m et de longueur correspondant à la hauteur de la structure. Dans le cas de structures élevées, la longueur des panneaux ne correspond pas à la hauteur de la structure en raison de problèmes de transport. L'ensemble de la façade comprend alors de nombreux panneaux montés les uns au-dessus des autres.

Pour une façade métallique, il convient de calculer l'expansion thermique maximale comme la différence de longueur entre une température maximale de la façade métallique au soleil environ +80 °C et une température minimale de –20 °C.

La différence de température de 100 °C correspond à une expansion thermique de 0,24 % pour l'aluminium et de 0,11 % pour l'acier.

L'expansion thermique des panneaux occasionne un mouvement des panneaux par rapport au panneau adjacent ou aux fixations.

Les connexions métalliques, telles que décrites à la Figure E.35, favorisent une distribution uniforme du courant dans les façades métalliques et réduisent ainsi l'influence du champ électromagnétique à l'intérieur de la structure.

Une façade métallique constitue un blindage électromagnétique maximal lorsqu'elle est interconnectée électriquement sur toute sa surface.

Une efficacité CEM élevée d'une structure est obtenue lorsqu'une équipotentialité permanente des façades métalliques adjacentes est effectuée à des intervalles suffisamment faibles.

La symétrie de distribution du courant est proportionnelle au nombre de connexions.

Si des exigences strictes spécifient une atténuation du blindage et si un bandeau continu de baies est intégré à ce type de façade, il convient de ponter ce dernier au moyen de conducteurs à intervalles rapprochés. Cela peut être réalisé par les encadrements métalliques des baies. Il convient que la façade métallique soit connectée à l'encadrement à intervalles rapprochés. En général, chaque arête est reliée à la poutre horizontale de l'encadrement à des intervalles ne dépassant pas l'espacement des éléments verticaux des baies. Il convient de toujours éviter les courbures et les détours (voir Figure E.9).

Les façades métalliques constituées d'éléments relativement petits non interconnectés ne peuvent être utilisées comme réseau de conducteurs de descente naturels ou comme écran électromagnétique.

Pour des informations complémentaires sur la protection des installations électriques et des matériels électroniques dans les structures, voir la CEI 62305-4.

#### **E.5.3.6 Borne d'essai**

Les bornes d'essai facilitent les mesures de résistance du réseau de prises de terre.

Il convient d'installer les bornes d'essai conformes à 5.3.6 au niveau de la connexion entre les conducteurs de descente et le réseau de prises de terre. Ces bornes permettent de vérifier, par mesure, l'existence d'un nombre approprié de connexions au réseau de prises de terre. Il est donc possible de confirmer l'existence de connexions continues entre la borne d'essai et le dispositif de capture ou la barre d'équipotentialité la plus proche. Sur des structures élevées, les conducteurs de ceinturage sont connectés aux conducteurs de descente pouvant être installés dans la paroi et sont invisibles à l'œil nu; leur existence peut être confirmée uniquement par mesure électrique.

Les Figures E.39a à E.39d montrent des exemples de bornes d'essai pouvant être installées sur la paroi intérieure ou extérieure d'une structure, ou dans une boîte d'essai enterrée dans le sol en dehors de la structure (voir Figure E.39b). Pour rendre possibles les mesures de continuité, certains conducteurs peuvent devoir comporter des gaines isolantes sur les sections critiques.

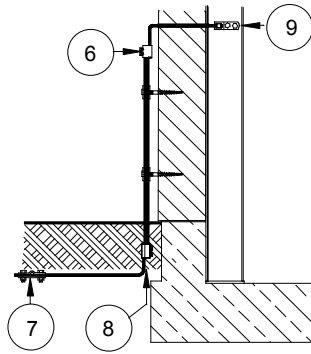


Figure E.39a

IEC 2721/10

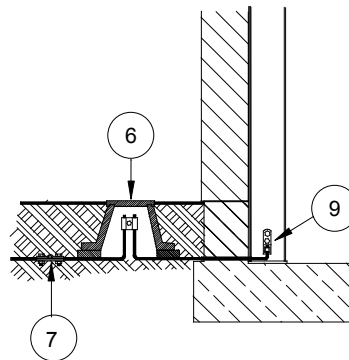


Figure E.39b

IEC 2722/10

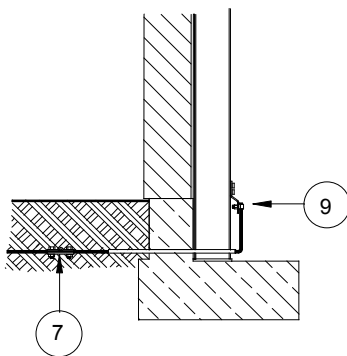


Figure E.39c

IEC 2723/10

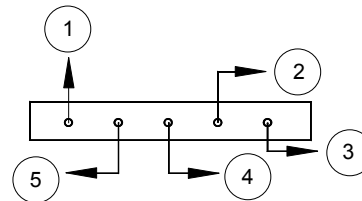


Figure E.39d

IEC 2724/10

#### Variante 1 – Borne d'essai sur le mur

- 1 conducteur de descente
- 2 électrode de terre de type B, si applicable
- 3 électrode de terre de type A, si applicable
- 4 prise de terre à fond de fouille
- 5 équipotentialité du SPF intérieur
- 6 borne d'essai sur le mur
- 7 borne T anticorrosive dans le sol
- 8 borne anticorrosive dans le sol
- 9 connexion entre conducteur de foudre et poutre en acier

#### Variante 2 – Borne d'essai sur le plancher

- 1 conducteur de descente
- 2 électrode de terre de type A, si applicable
- 3 barre d'équipotentialité du SPF intérieur
- 4 prise de terre en boucle de type B
- 5 prise de terre en boucle de type B
- 6 borne d'essai sur le plancher
- 7 borne T anticorrosive dans le sol
- 8 borne anticorrosive dans le sol
- 9 connexion entre conducteur de foudre et poutre en acier

NOTE 1 Il convient que la borne d'essai détaillée à la Figure E.39d soit installée sur une paroi intérieure ou extérieure d'une structure ou dans une boîte d'essai enterrée dans le sol en dehors de la structure.

NOTE 2 Pour rendre possibles les mesures de la prise de terre, il convient que certains conducteurs de connexion comportent des gaines isolantes sur les sections critiques.

### Figure E.39 – Quatre exemples de connexion du réseau de prises de terre au SPF de structures utilisant des conducteurs de descente naturels (poutres) et détail d'une borne d'essai

Si cela se révèle approprié (par exemple, dans le cas de connexions de masse aux colonnes en acier par des conducteurs de connexion), les connexions des conducteurs de descente

naturels aux prises de terre peuvent comporter des segments conducteurs isolés et des bornes d'essai. Il convient d'installer des prises de terre de référence spéciales pour faciliter la vérification du réseau de prises de terre d'un SPF.

#### **E.5.4 Réseau de prises de terre**

##### **E.5.4.1 Généralités**

Il convient que le concepteur et l'installateur du SPF choisissent des types de prises de terre appropriés et les situent à des distances sûres des entrées et sorties d'une structure et des parties conductrices extérieures dans le sol, telles que des câbles, conduits métalliques, etc. Il convient que le concepteur et l'installateur du SPF prévoient des mesures spéciales de protection contre les tensions de pas dangereuses à proximité des réseaux de prises de terre s'ils sont installés dans des zones accessibles au public (voir l'Article 8).

La valeur recommandée de  $10 \Omega$  de la résistance de terre globale est relativement prudente dans les structures avec équipotentialité directe. Il convient que la valeur de la résistance soit la plus faible possible dans tous les cas, mais tout particulièrement dans le cas de structures mises en danger par des matériaux explosifs. L'équipotentialité demeure dans ce cas également la mesure la plus importante.

Il convient que la profondeur d'engagement et le type des prises de terre permettent de réduire au minimum les effets de la corrosion, de l'assèchement du sol et du gel et ainsi stabilisent la résistance de terre équivalente.

Il est recommandé que les cinquante premiers centimètres d'une prise de terre verticale ne soient pas considérés comme fiables dans des conditions de gel.

Les prises de terre enfouies profondément peuvent être fiables dans des cas particuliers lorsque la résistivité du sol décroît avec la profondeur et lorsque des couches de faible résistivité apparaissent à des profondeurs plus grandes que pour des électrodes métalliques normalement enfouies.

Lorsque l'armature métallique du béton est utilisée comme prise de terre, il convient d'accorder une attention toute particulière aux interconnexions pour éviter un éclatement mécanique du béton.

Si l'armature métallique est également utilisée comme borne de protection, il convient de choisir la mesure la plus stricte en termes d'épaisseur des tiges et de connexion. Dans ce cas, des dimensions plus élevées des barres de renforcement peuvent être choisies. Il convient de reconnaître le besoin de disposer à tout moment de connexions courtes et directes pour la connexion de la protection contre la foudre.

NOTE Dans le cas du béton précontraint, il convient de tenir tout particulièrement compte des conséquences du passage de courants de décharge de foudre, susceptibles d'engendrer des contraintes mécaniques inacceptables.

##### **E.5.4.2 Types de dispositions de prises de terre**

###### **E.5.4.2.1 Disposition de type A**

Le réseau de prises de terre de type A est approprié pour des structures de petite hauteur (par exemple, maisons individuelles), des structures existantes, un SPF avec tiges ou fils tendus ou un SPF isolé.

Ce type de disposition comprend des prises de terre horizontales ou verticales connectées à chaque conducteur de descente.

Lorsqu'il existe un conducteur de ceinturage, qui interconnecte les conducteurs de descente, en contact avec le sol, la disposition de prise de terre est toujours classée comme disposition

-----

de type A si moins de 80 % de la longueur du conducteur de ceinturation sont en contact avec le sol.

Dans une disposition de type A, il convient que le nombre minimal de prises de terre soit de un pour chaque conducteur de descente et au moins de deux pour l'ensemble du SPF.

#### **E.5.4.2.2 Disposition de type B**

Le réseau de prises de terre de type B est préférable pour les dispositifs de capture à mailles et pour les SPF avec plusieurs conducteurs de descente.

Ce type de disposition comprend soit une prise de terre en boucle extérieure à la structure en contact avec le sol sur une longueur équivalant au moins à 80 % de sa longueur totale, soit une prise de terre à fond de fouille.

Pour des sols rocailleux, seule la disposition de prises de terre de type B est recommandée.

#### **E.5.4.3 Mise en œuvre**

##### **E.5.4.3.1 Généralités**

Il convient que les réseaux de prises de terre réalisent les tâches suivantes:

- écoulement du courant de foudre à la terre;
- équipotentialité entre les conducteurs de descente;
- contrôle de la tension au voisinage des parois conductrices.

Les prises de terre à fond de fouille et les prises de terre en boucle de type B satisfont à toutes ces exigences. Les prises de terre radiales de type A ou les prises de terre verticales profondément enterrées ne satisfont pas à ces exigences eu égard à l'équipotentialité et au contrôle de la tension.

Il convient que les fondations en béton armé interconnectées d'une structure soient utilisées comme prises de terre à fond de fouille. Elles présentent une résistance de terre très faible et réalisent une excellente référence d'équipotentialité. Lorsque cela n'est pas possible, il convient d'installer autour de la structure un réseau de prises de terre, de préférence une prise de terre en boucle de type B.

##### **E.5.4.3.2 Prises de terre à fond de fouille**

Une prise de terre à fond de fouille, conforme à 5.4.4, comporte des conducteurs installés dans la fondation de la structure sous la surface du sol. Il convient que la longueur des prises de terre complémentaires soit déterminée en utilisant le diagramme de la Figure 3.

Les prises de terre à fond de fouille sont incorporées dans le béton. Elles présentent l'avantage d'être bien protégées contre la corrosion si le béton est correct et recouvre la prise de terre à fond de fouille d'une couche d'au moins 50 mm. Il convient également de rappeler que les tiges de renfort en acier dans le béton génèrent la même amplitude de potentiel galvanique que des conducteurs en cuivre enterrés. Cela offre une bonne solution technique pour la conception des réseaux de prises de terre pour les structures en béton armé (voir E.4.3).

Il convient que les métaux utilisés pour les prises de terre soient conformes aux matériaux énumérés dans le Tableau 7, tout comme il convient de toujours tenir compte de la tenue des métaux à la corrosion dans le sol. Des indications sont données en 5.6. En l'absence d'indications pour des sols particuliers, il convient de déterminer l'expérience acquise avec les réseaux de prises de terre dans les installations voisines, le sol présentant des caractéristiques chimiques et une consistance analogues. Lorsque les tranchées des prises

de terre sont comblées, il convient de s'assurer que ni cendres, ni morceaux de charbon, ni matériaux de démolition ne viennent en contact direct avec la prise de terre.

Un autre problème apparaît en raison de la corrosion électrochimique due à des courants galvaniques. L'acier dans le béton présente approximativement le même potentiel galvanique dans la série électrochimique que le cuivre dans le sol. Par conséquent, lorsque l'acier dans le béton est connecté à de l'acier dans le sol, une tension galvanique de commande d'environ 1 V entraîne l'écoulement d'un courant de corrosion dans le sol et le béton humide, et provoque la dissolution de l'acier dans le sol.

Il convient que les prises de terre dans le sol utilisent des conducteurs en cuivre ou en acier inoxydable lorsqu'elles sont connectées à de l'acier dans du béton.

Il convient, au périmètre d'une structure, d'installer un conducteur métallique conforme au Tableau 7, ou un ruban d'acier galvanisé dans la fondation et de le lever à l'aide des connexions des extrémités désignées des bornes d'essai de protection contre la foudre.

Le cheminement ascendant des conducteurs connectés aux conducteurs de descente peut être réalisé dans le briquetage, le plâtre ou le mur. Les connexions en acier installées dans le mur peuvent traverser le papier saturé d'asphalte normalement en place entre la fondation et la cloison en briques. Le percement de la barrière d'étanchéité en ce point ne présente généralement aucun problème.

La couche étanche à l'eau, souvent disposée sous la fondation de la structure pour réduire l'humidité dans les sous-sols, fournit une isolation électrique cohérente. Il convient que la prise de terre soit installée sous la fondation dans la sous-couche de béton. Il convient de conclure un accord avec le concepteur du réseau de prises de terre.

Lorsque le niveau de l'eau souterraine est élevé, il convient d'isoler la fondation de la structure des eaux souterraines. Il convient d'appliquer une couche d'étanchéité sur la surface extérieure de la fondation, qui assure également une isolation électrique. La pratique habituelle dans la construction de ce type de fondation étanche à l'eau consiste à verser une couche de béton propre, sur une profondeur de 10 cm à 15 cm environ, dans la tranchée sur laquelle est installée l'isolation, puis ultérieurement la fondation en béton.

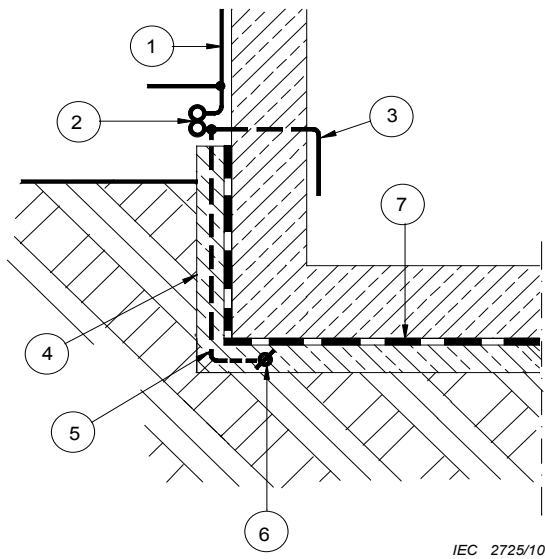
Une prise de terre à fond de fouille constituée d'un réseau de mailles dont la taille ne dépasse pas 10 m doit être installée dans la couche de béton propre au fond de la tranchée sur laquelle repose la fondation.

Un conducteur conforme au Tableau 7, doit connecter le réseau de prises de terre maillé avec l'armature de la fondation, les prises de terre en boucle et les conducteurs de descente extérieurs à la membrane d'étanchéité. Lorsque cela est admis, des presse-étoupe peuvent être utilisés pour pénétrer la barrière isolante.

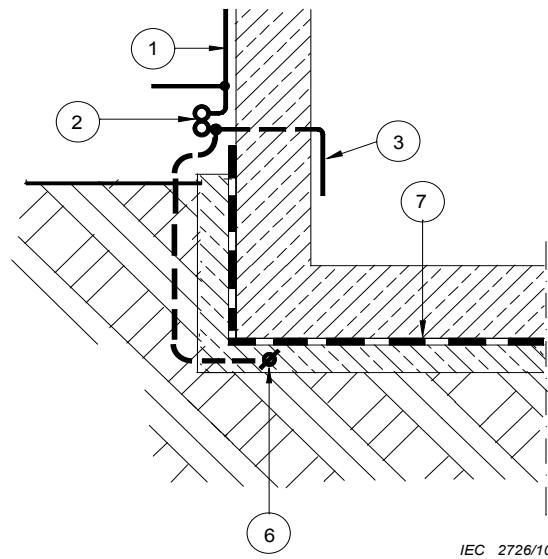
Lorsque la pénétration du conducteur dans la couche isolante n'est pas admise par le constructeur du bâtiment, il convient que les connexions soient réalisées avec le réseau de prises de terre à l'extérieur de la structure.

La Figure E.40 montre trois exemples différents de méthode d'installation des prises de terre à fond de fouille sur une structure avec des fondations étanches.





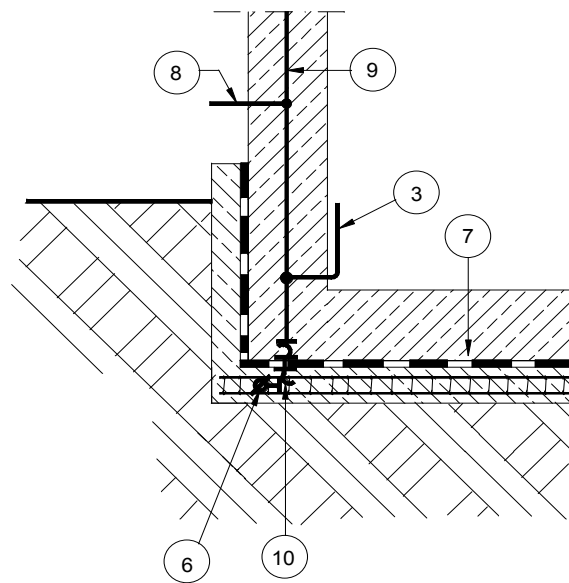
IEC 2725/10



IEC 2726/10

**Figure E.40a – Fondation isolée avec prise de terre à fond de fouille dans une couche en béton non armée sous l'isolation bitumée**

**Figure E.40b – Fondation isolée avec conducteur de terre partiellement dans le sol**



IEC 2727/10

**Figure E.40c – Connexion entre la prise de terre à fond de fouille et l'armature d'acier traversant la membrane d'étanchéité**

#### Légende

- 1 conducteur de descente
- 2 borne d'essai
- 3 conducteur d'équipotentialité au SPF intérieur
- 4 couche de béton non armée
- 5 conducteur de connexion du SPF
- 6 prise de terre à fond de fouille
- 7 membrane d'étanchéité, couche isolante étanche
- 8 conducteur de connexion entre l'armature d'acier et la borne d'essai
- 9 armature d'acier dans le béton
- 10 traversée de la membrane d'étanchéité par le presse-étoupe (étanche)

NOTE Une autorisation du constructeur de la structure est nécessaire.

**Figure E.40 – Réalisation d'une prise de terre à fond de fouille pour les structures à différentes conceptions de fondation**

Plusieurs solutions de connexions appropriées du réseau de prises de terre sur les structures avec une fondation isolée sont également illustrées.

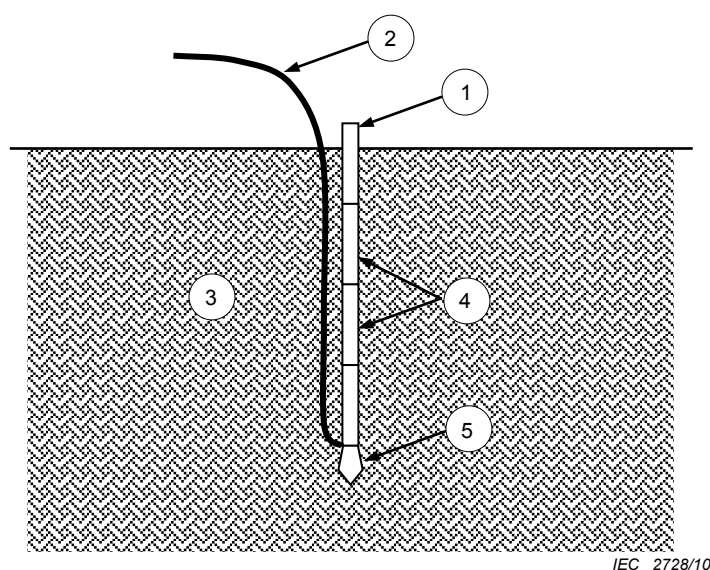
Les Figures E.40a et E.40b montrent les connexions extérieures à l'isolation de manière à ne pas l'endommager; la Figure E.40c montre la traversée de l'isolation par un presse-étoupe de manière à ne pas compromettre l'intégrité de la membrane d'étanchéité.

### E.5.4.3.3 Type A – Prises de terre radiales et verticales

Il convient que les prises de terre radiales soient connectées aux extrémités inférieures des conducteurs de descente à l'aide de bornes d'essai. Ces prises de terre peuvent se terminer par des prises de terre verticales, le cas échéant.

Il convient que chaque conducteur de descente comporte une prise de terre.

La Figure E.41 montre des exemples de prises de terre de type A, tandis que la Figure E.41a illustre la méthode utilisée pour enfoncer un conducteur de protection contre la foudre, conforme au Tableau 7, dans le sol à l'aide de tiges de commande spéciales. Cette technique de mise à la terre présente des avantages pratiques et évite l'utilisation de fixations et de connexions dans le sol. Des prises de terre en pente ou verticales sont généralement enfoncées à l'aide de masses.



IEC 2728/10

#### Légende

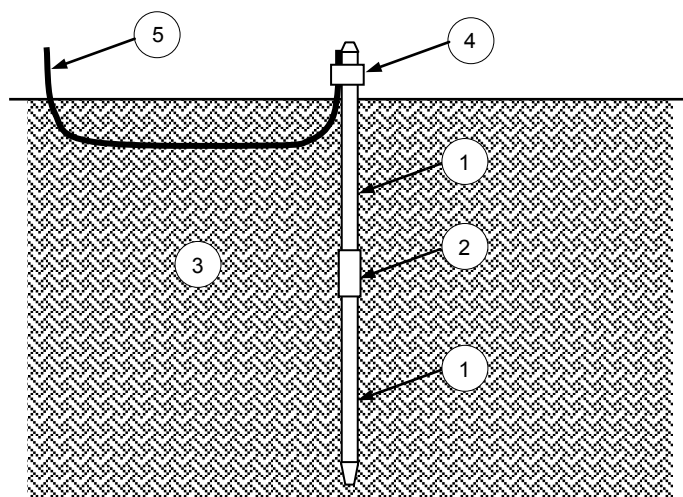
- 1 tige de commande supérieure courte
- 2 conducteur de terre
- 3 sol
- 4 tiges de commande courtes
- 5 pointe de commande en acier

NOTE 1 Un conducteur continu est enfoncé dans le sol au moyen de tiges de commande courtes. La continuité électrique du conducteur de terre est très avantageuse; grâce à cette technique, aucune borne n'existe sur le conducteur de terre. Les segments de tiges de commande courtes sont également faciles à manipuler.

NOTE 2 La tige de commande supérieure courte peut être retirée.

NOTE 3 La partie supérieure du conducteur de terre peut être gainée.

Figure E.41a – Exemple de disposition de terre de type A, avec prise de terre à conducteur vertical



IEC 2729/10

**Légende**

- 1 piquet de terre extensible
- 2 tige de couplage
- 3 sol
- 4 serrage du conducteur à la tige
- 5 conducteur de terre

**Figure E.41b – Exemple de disposition de terre de type A avec prise de terre à tige verticale**

**Figure E.41 – Exemples de deux prises de terre verticales avec disposition de terre de type A**

Il existe également d'autres types de prises de terre verticales. Il est nécessaire de s'assurer de la continuité permanente avec le sol sur toute la longueur de la prise de terre au cours de la durée de vie utile du SPF.

Lors de l'installation, il est recommandé de mesurer régulièrement la résistance de la prise de terre. L'enfoncement peut être interrompu dès que la résistance de terre cesse de diminuer. Des prises de terre complémentaires peuvent alors être installées dans des emplacements plus appropriés.

Il convient que la prise de terre présente une distance de séparation suffisante avec les câbles et canalisations métalliques enterrés existants, et il convient d'observer cette règle pour l'écartement de la prise de terre par rapport à sa position prévue lors de l'enfoncement. La distance de séparation dépend du choc électrique, de la résistivité du sol et du courant dans la prise de terre.

Dans une disposition de type A, les prises de terre verticales sont plus rentables et donnent des valeurs de résistance de terre plus stables dans la plupart des sols par rapport à des prises de terre horizontales.

Dans certains cas, il peut être nécessaire d'installer les prises de terre à l'intérieur de la structure, par exemple, dans un sous-sol ou une cave.

NOTE Il convient d'accorder une attention toute particulière au contrôle des tensions de pas par l'adoption de mesures d'équipotentialité selon l'Article 8.

S'il existe un risque d'accroissement de la résistance de terre de la couche superficielle (par exemple, par assèchement), il est souvent nécessaire d'utiliser des prises de terre de plus grande longueur enterrées profondément.

Il convient que les prises de terre radiales soient installées à une profondeur de 0,5 m ou plus. Une prise de terre enfoncée plus profondément permet de s'assurer que dans les pays à

température hivernale basse, la prise de terre n'est pas située dans le sol gelé (ce qui induit une conductivité extrêmement faible). Un avantage supplémentaire réside dans le fait que des prises de terre enfoncées plus profondément permettent de réduire les différences de potentiel à la surface du sol, et de diminuer ainsi les tensions de pas afin de réduire le danger pour les êtres vivants à la surface de la terre. Les prises de terre verticales sont préférables pour obtenir une résistance de terre à stabilité saisonnière.

Lorsque la disposition de terre de type A est prévue, l'équipotentialité nécessaire pour toutes les prises de terre est réalisée au moyen de conducteurs et de barres d'équipotentialité.

#### **E.5.4.3.4 Type B – Prises de terre en boucle**

Pour des structures en matériau isolant tel que la brique ou le bois sans fondation armée, il convient d'installer une disposition de terre de type B conformément à 5.4.2.2. Une disposition de type A intégrant des conducteurs d'équipotentialité peut également être utilisée. Afin de réduire la résistance équivalente de terre, la disposition de terre de type B peut être améliorée, si nécessaire, par l'ajout de prises de terre verticales ou radiales conformément à 5.4.2.2. La Figure 3 donne les exigences concernant la longueur minimale de prises de terre.

La distance et la profondeur pour une prise de terre de type B, tel qu'indiqué en 5.4.3, sont optimales en sol normal pour la protection des personnes au voisinage de la structure. Dans des pays avec des températures hivernales basses, il convient de tenir compte de la profondeur appropriée des prises de terre.

Les prises de terre de type B réalisent également la fonction d'équipotentialité entre les conducteurs de descente au niveau du sol, dans la mesure où les divers conducteurs de descente produisent des potentiels différents en raison de la distribution inégale des courants de foudre dus aux variations de la résistance de terre et des différentes longueurs des cheminements du courant des conducteurs en surface. Les différences de potentiel se traduisent en un écoulement de courants d'équipotentialité dans la prise de terre en boucle, de sorte que l'élévation de potentiel maximale soit réduite et que les réseaux d'équipotentialité qui y sont connectés dans la structure soient portés environ au même potentiel.

Lorsque des structures appartenant à des propriétaires différents sont adjacentes, il n'est souvent pas possible d'installer une prise de terre en boucle qui entoure totalement la structure. Dans ce cas, l'efficacité du réseau de prises de terre est quelque peu réduite, dans la mesure où le ceinturage du conducteur joue partiellement le rôle d'une prise de terre de type B, d'une prise de terre à fond de fouille et d'un conducteur d'équipotentialité.

Lorsqu'un grand nombre de personnes se rassemble fréquemment dans une zone adjacente à la structure à protéger, il convient de prévoir un contrôle supplémentaire du potentiel pour ce type de zones. Il convient d'installer un plus grand nombre de prises de terre en boucle à des distances d'environ 3 m du premier conducteur de ceinturage et des conducteurs suivants. Il convient d'installer les prises de terre en boucle éloignées de la structure à une plus grande profondeur, c'est-à-dire que celles qui sont situées à 4 m de la structure doivent être enterrées à 1 m, celles qui sont éloignées de 7 m à une profondeur de 1,5 m et celles à une distance de 10 m à une profondeur de 2 m. Il convient que ces prises de terre en boucle soient connectées au premier conducteur de ceinturage par des conducteurs radiaux.

Lorsque la zone adjacente à la structure est recouverte d'une couche d'asphalte de faible conductibilité d'une épaisseur de 50 mm, une protection suffisante est assurée pour les personnes circulant dans cette zone.

#### **E.5.4.3.5 Prises de terre dans un sol rocailleux**

Lors d'une construction, il convient d'incorporer une prise de terre à fond de fouille dans la fondation en béton. Même lorsqu'une prise de terre à fond de fouille a un effet de terre réduit dans un sol rocailleux, elle intervient toujours comme conducteur d'équipotentialité.

Il convient de connecter des prises de terre complémentaires aux conducteurs de descente et aux prises de terre de fond de fouille au niveau des bornes d'essai.

En l'absence d'une prise de terre à fond de fouille, il convient d'utiliser une disposition de type B (prise de terre en boucle). Si la prise de terre ne peut être installée dans le sol et doit être posée en surface, il convient de la protéger contre les chocs mécaniques.

Il convient que les prises de terre radiales installées sur ou à proximité de la surface soient recouvertes de pierres ou encastrées dans du béton pour leur protection mécanique.

Lorsqu'une route passe à proximité de la structure, il convient d'installer si possible une prise de terre en boucle sous la route. Toutefois, lorsque cela n'est pas possible sur toute la longueur de la portion de route exposée, il convient que ce contrôle d'équipotentialité (typiquement une disposition de type A) soit assuré au moins au voisinage des conducteurs de descente.

Pour le contrôle du potentiel dans certains cas particuliers, il convient de prendre une décision concernant l'installation d'une boucle complémentaire partielle au voisinage de l'entrée de la structure, ou l'augmentation artificielle de la résistivité de la couche de surface du sol.

#### **E.5.4.3.6 Réseaux de prises de terre dans des zones étendues**

Une implantation industrielle comporte typiquement de nombreuses structures associées, entre lesquelles circulent de nombreux câbles de puissance et de signal.

Les réseaux de prises de terre de telles structures sont très importants pour la protection du réseau de puissance. Un réseau de prises de terre à faible impédance réduit la différence de potentiel entre les structures et réduit de ce fait les perturbations subies par les liaisons électriques.

Une faible impédance de terre peut être obtenue en équipant la structure de prises de terre à fond de fouille et de dispositions de terre de type B et de type A supplémentaires conformément à 5.4.

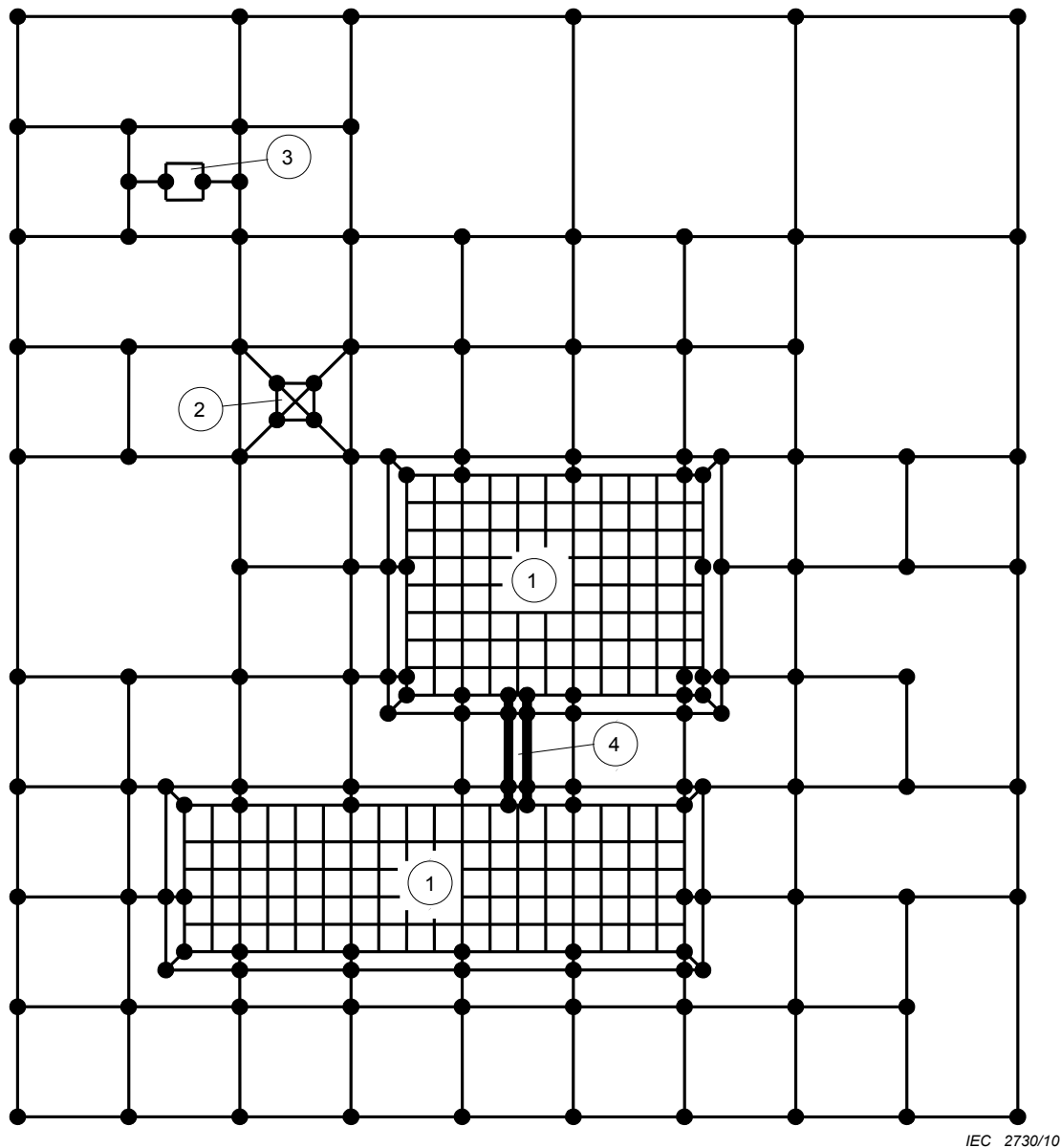
Il convient de réaliser les interconnexions entre les prises de terre, les prises de terre à fond de fouille et les conducteurs de descente au niveau des bornes d'essai. Il convient également de connecter quelques bornes d'essai aux barres d'équipotentialité du SPF intérieur.

Il convient que les conducteurs de descente intérieurs, ou les parties internes de la structure utilisées comme conducteurs de descente, soient connectés à la prise de terre et à l'armature d'acier du sol pour éviter les tensions de contact et de pas. Si les conducteurs de descente intérieurs sont situés à proximité des joints thermiques d'expansion dans le béton, il convient de ponter ces bornes aussi près que possible du conducteur de descente intérieur.

Il convient que la partie inférieure d'un conducteur de descente accessible soit gainée de PVC d'épaisseur au moins égale à 3 mm ou équivalent.

Afin de réduire la probabilité d'impacts de foudre directs sur les chemins de câbles dans le sol, il convient d'installer un conducteur de terre et, dans le cas de chemins de câbles de plus grande dimension, plusieurs conducteurs de terre au-dessus des chemins de câbles.

L'interconnexion des terres de diverses structures permet d'obtenir un réseau de prises de terre maillé tel qu'indiqué à la Figure E.42.



**Légende**

- 1 bâtiment avec réseau maillé de l'armature
- 2 tour dans l'installation
- 3 matériel autonome
- 4 tranchées de câbles

NOTE Ce réseau donne une impédance faible entre les bâtiments et présente des avantages significatifs en matière de CEM. La taille des mailles à proximité des bâtiments et des autres objets peut être de l'ordre de 20 m × 20 m. Au-delà d'une distance de 30 m, la taille peut être élargie à un ordre de 40 m × 40 m.

**Figure E.42 – Réseau de prises de terre maillé d'une implantation**

La Figure E.42 illustre un réseau de prises de terre maillé, y compris les tranchées de câbles, entre les structures associées de bâtiments protégés contre la foudre. Cela entraîne une impédance faible entre les bâtiments et présente des avantages significatifs en matière de protection contre l'EMF.

**E.5.5 Composants**

Pas d'informations complémentaires.

NOTE Les distances entre les fixations sont données dans le Tableau E.1.

## **E.5.6 Matériaux et dimensions**

### **E.5.6.1 Conception mécanique**

Le concepteur du système de protection contre la foudre doit consulter les personnes responsables de la structure sur les questions relatives à la conception mécanique suite à la réalisation de la conception électrique.

Des considérations esthétiques sont particulièrement importantes ainsi que le choix correct des matériaux pour limiter le risque de corrosion.

Les dimensions minimales des composants de protection contre la foudre des différentes parties du SPF sont données dans les Tableaux 3, 6, 7, 8 et 9.

Les matériaux utilisés pour les composants du SPF sont donnés dans le Tableau 5.

NOTE Les composants tels que les fixations et les tiges choisis conformément à la future série CEI 62561 sont adéquats.

Il convient que le concepteur et l'installateur du SPF vérifient l'aptitude à l'emploi des matériaux utilisés. Cela peut être réalisé, par exemple, en exigeant du fabricant qu'il fournisse des certificats d'essai et des rapports, démontrant que les matériaux ont subi avec succès les essais de qualité.

Il convient que le concepteur et l'installateur du SPF spécifient des attaches et des fixations de conducteurs qui résistent aux forces électrodynamiques du courant de foudre s'écoulant dans les conducteurs et permettent également la dilatation et la contraction des conducteurs dues à l'élévation de température correspondante.

Il convient que les connexions entre les couvertures des panneaux métalliques soient compatibles avec le matériau des panneaux, présentent une surface de contact minimale de 50 mm<sup>2</sup> et soient capables de résister aux forces électrodynamiques d'un courant de foudre et aux menaces de corrosion de l'environnement.

Lorsqu'une élévation de température excessive constitue une source de préoccupation pour la surface sur laquelle les composants doivent être fixés du fait de leur inflammabilité ou de leur point de fusion bas, il convient que des sections plus élevées de conducteurs soient spécifiées ou que d'autres dispositions de sécurité soient prises en considération, telles que l'utilisation de fixations à montage vertical et l'insertion de couches résistantes au feu.

Il convient que le concepteur du SPF identifie toutes les zones à problème de corrosion et spécifie les mesures appropriées à prendre.

Les effets de la corrosion sur le SPF peuvent être réduits soit par l'augmentation des dimensions des matériaux, soit par l'utilisation de composants résistant à la corrosion ou par l'adoption d'autres méthodes anticorrosives.

### **E.5.6.2 Choix des matériaux**

#### **E.5.6.2.1 Matériaux**

Les matériaux constitutifs du SPF et leurs conditions d'utilisation sont indiqués au Tableau 5.

Les dimensions des conducteurs du SPF, y compris les conducteurs de capture, de descente et de terre, pour différents matériaux tels que le cuivre, l'aluminium et l'acier, sont données dans les Tableaux 6 et 7. Les valeurs recommandées pour le cuivre et l'aluminium d'une section arrondie de 50 mm<sup>2</sup> sont basées sur les exigences mécaniques (par exemple, maintenir les fils tendus entre les supports de sorte qu'ils ne fléchissent pas vers la toiture).

Si les contraintes mécaniques ne constituent pas une source de préoccupation, les valeurs données à la note b) de bas de Tableau 6 (cuivre de 28 mm<sup>2</sup>) peuvent servir de valeurs minimales.

L'épaisseur minimale des revêtements métalliques, des canalisations métalliques et des conteneurs utilisés comme composants de capture naturels est indiquée au Tableau 3 et les dimensions minimales des conducteurs d'équipotentialité sont indiquées aux Tableaux 8 et 9.

#### **E.5.6.2.2 Protection contre la corrosion**

Il convient que le SPF soit construit avec des matériaux résistant à la corrosion tels que le cuivre, l'aluminium, l'acier inoxydable et l'acier galvanisé. Il convient que le matériau des tiges et des fils de capture soit électrochimiquement compatible avec le matériau des éléments de connexion et de montage, et qu'il ait une bonne résistance à la corrosion en réaction à une atmosphère corrosive ou à l'humidité.

Il convient d'éviter les connexions entre différents matériaux; à défaut, elles doivent être protégées.

Il convient de ne jamais installer d'éléments en cuivre au-dessus d'éléments galvanisés ou en aluminium à moins que ces éléments comportent une protection contre la corrosion.

Des particules très fines sont issues du cuivre entraînant des dommages corrosifs importants sur les éléments en acier galvanisé même lorsque les éléments en cuivre et en acier galvanisé ne sont pas en contact direct.

Il convient que les conducteurs en aluminium ne soient pas directement fixés sur des surfaces de construction en calcaire comme la chaux et le plâtre et ne soient jamais utilisés dans le sol.

#### **E.5.6.2.2.1 Métaux dans le sol et dans l'air**

La vitesse de la corrosion des métaux dépend du type de métal et de la nature de son environnement. Les facteurs environnementaux tels que l'humidité, les sels solubles (formant ainsi un électrolyte), le degré d'aération, la température et l'évolution de l'électrolyte contribuent à rendre cette condition très complexe.

De plus, les conditions locales alliées aux différents contaminants naturels ou industriels, peuvent entraîner de grandes variations visibles dans différentes régions du monde. Pour résoudre les problèmes particuliers de corrosion, la consultation d'experts en la matière est fortement recommandée.

L'effet de contact entre des matériaux non similaires, associé à un électrolyte environnant, ou partiellement environnant, entraîne un accroissement de la corrosion du métal le plus anodique et une diminution de la corrosion du métal le plus cathodique.

La corrosion du métal le plus cathodique n'est pas nécessairement complètement empêchée. L'électrolyte de cette réaction peut être l'eau dans le sol, la terre humide ou même une condensation des structures retenue dans des fissures dans des structures au-dessus du sol.

Des réseaux de prises de terre étendus peuvent être soumis à des conditions de sol différentes en différents points. Cela peut accélérer les problèmes de corrosion et nécessite une attention particulière.

Pour réduire la corrosion d'un SPF:

- éviter l'utilisation de métaux non appropriés dans un environnement agressif;



- éviter le contact avec des métaux non similaires, ayant une activité électrochimique ou galvanique très différente;
- utiliser une section adéquate de conducteurs, des brides d'équipotentialité, des bornes conductrices et des fixations pour assurer une résistance suffisante à la corrosion dans les conditions de service;
- prévoir un matériau de remplissage ou isolant approprié dans les bornes de conducteurs non soudées pour éviter l'humidité;
- prévoir une gaine ou un revêtement, ou isoler les métaux sensibles aux fumées ou fluides corrosifs à l'emplacement de l'installation;
- tenir compte des effets galvaniques des autres éléments métalliques auxquels la prise de terre doit être reliée;
- éviter les constructions dans lesquelles les produits de corrosion naturelle constitués d'un métal cathodique (par exemple, cuivre) peuvent être en contact avec le SPF et l'éroder, tels que le cuivre métallique recouvrant un métal anodique (par exemple, acier ou aluminium).

Pour satisfaire aux conditions ci-dessus, les mesures de prévention suivantes sont données comme exemples spécifiques:

- il convient que l'épaisseur minimale ou le diamètre d'un élément conducteur soit de 1,7 mm pour l'acier, l'aluminium, le cuivre, les alliages cuivreux ou les alliages nickel/chrome/acier;
- un séparateur d'isolement est recommandé lorsque le contact entre des métaux non similaires peu espacés (ou se touchant) peut entraîner une corrosion, ce contact n'étant toutefois pas électriquement nécessaire;
- il convient que les conducteurs en acier non protégés par ailleurs soient galvanisés à chaud conformément aux exigences des Tableaux 6 et 7;
- il convient que les conducteurs en aluminium ne soient pas directement enterrés dans le sol ou coulés ou encastrés dans le béton, à moins qu'ils ne soient entièrement gainés d'un manchon isolant ajusté;
- il convient d'éviter, dans toute la mesure du possible, les jonctions cuivre/aluminium. Dans les cas où ces jonctions ne peuvent être évitées, il convient qu'elles soient soudées ou réalisées en utilisant une couche intermédiaire de feuille en cuivre/aluminium;
- il convient que les fixations ou les gaines des conducteurs en aluminium soient réalisées en métal similaire et avec une section adéquate de manière à éviter toute défaillance due à des conditions climatiques défavorables;
- le cuivre convient à la plupart des applications de prises de terre, sauf dans des conditions acides, ammoniacales ou sulfureuses avec présence d'oxygène. Il convient toutefois de rappeler qu'il occasionne des dommages galvaniques aux matériaux ferreux qui lui sont connectés. Cela peut nécessiter la consultation d'un expert en matière de corrosion, notamment lors de l'utilisation d'un système de protection cathodique;
- il convient, pour les conducteurs de toiture et de descente soumis à des gaz de combustion agressifs, d'accorder une attention toute particulière à la corrosion, par exemple, en utilisant des aciers fortement alliés (>16,5 % Cr, >2 % Mo, 0,2 % Ti, 0,12 % à 0,22 % N);
- l'acier inoxydable ou les autres alliages de nickel peuvent être utilisés pour les mêmes exigences de résistance à la corrosion. Toutefois, dans des conditions anaérobiques, comme dans l'argile, ils se corrodent presque aussi rapidement que l'acier doux;
- Il convient que les jonctions entre l'acier et le cuivre ou les alliages de cuivre dans l'air soient, si elles ne sont pas soudées, entièrement étamées ou revêtues d'une couche durable résistant à l'humidité;
- le cuivre et ses alliages sont soumis à la fissuration par corrosion sous contrainte dans des fumées ammoniacales; il convient de ne pas utiliser ces matériaux pour les fixations dans ces applications spécifiques;

- dans les zones marines/côtières, il convient que toutes les connexions soient soudées ou rendues complètement étanches.

Les réseaux de prises de terre en acier inoxydable ou en cuivre peuvent être directement connectés aux armatures d'acier dans le béton.

Il convient de connecter des prises de terre en acier galvanisé dans le sol aux armatures d'acier dans le béton par des éclateurs d'isolement capables d'écouler une partie importante du courant de foudre (voir Tableaux 8 et 9 pour les dimensions des conducteurs de connexion). Une connexion directe, dans le sol augmenterait de manière significative le risque de corrosion. Il convient que les éclateurs d'isolement utilisés soient conformes à 6.2.

NOTE Des éclateurs d'isolement classés N conformément à la CEI 62531-3 sont habituellement appropriés.

Il convient d'utiliser de l'acier galvanisé pour les prises de terre dans le sol uniquement lorsqu'aucun élément en acier incorporé dans le béton n'est directement connecté à la prise de terre dans le sol.

Si des canalisations métalliques sont enfouies dans le sol et reliées au réseau d'équipotentialité et au réseau de prises de terre, il convient que le matériau des canalisations, lorsque celles-ci ne sont pas isolées, et le matériau des conducteurs du réseau de prises de terre soient identiques. Les canalisations avec un revêtement protecteur de peinture ou d'asphalte sont considérées comme non isolées. Lorsque le même matériau ne peut être utilisé, il convient d'isoler les canalisations des sections d'installations connectées au réseau d'équipotentialité au moyen de sections isolées. Il convient que les sections isolées soient pontées au moyen d'éclateurs. Il convient que le pontage par des éclateurs soit également réalisé lorsque des pièces isolées sont installées pour la protection cathodique des canalisations.

Il convient que les conducteurs avec gaines de plomb ne soient pas directement installés dans le béton. Il convient que les conducteurs avec gaines de plomb soient protégés contre la corrosion par la disposition de liaisons anticorrosives ou au moyen d'un manchonnage fretté. Les conducteurs peuvent être protégés par un revêtement en PVC ou en PE.

Il convient que les conducteurs de terre en acier venant du béton ou du sol au point d'entrée dans l'air soient protégés contre la corrosion sur une longueur de 0,3 m par des gaines anticorrosion ou un manchonnage fretté. Cela n'est pas nécessaire pour les conducteurs en cuivre ou en acier inoxydable.

Il convient que les matériaux utilisés pour les bornes entre les conducteurs dans le sol présentent la même tenue à la corrosion que les conducteurs de terre. La connexion par vissage n'est généralement pas admise sauf dans le cas où ce type de connexion comprend une disposition de protection contre la corrosion après réalisation de la connexion. Une bonne expérience a été acquise avec des joints manchonnés.

Les joints soudés doivent être protégés contre la corrosion.

L'expérience pratique montre que

- il convient de ne jamais utiliser l'aluminium comme prise de terre,
- les conducteurs en acier avec gaines de plomb ne sont pas appropriés comme conducteurs de terre,
- il convient de ne pas utiliser les conducteurs en cuivre avec gaines de plomb dans le béton, ni dans des sols à teneur en calcium élevée.

#### **E.5.6.2.2.2 Métaux dans le béton**

L'encastrement de l'acier ou de l'acier galvanisé dans le béton provoque une stabilisation du potentiel naturel du métal, en raison de l'environnement uniformément alcalin. De plus, le béton présente une résistivité uniforme, relativement élevée, de l'ordre de 200  $\Omega\text{m}$  ou plus.

Ainsi, les barres de renforcement dans le béton sont beaucoup plus résistantes à la corrosion que lorsqu'elles sont exposées, même si elles sont reliées extérieurement à des matériaux d'électrodes plus cathodiques.

L'utilisation d'acier de renfort comme conducteurs de descente ne pose aucun problème de corrosion significatif à condition que les points d'accès aux dispositifs de capture soient parfaitement étanches, par exemple, par un mastic de résine époxyde d'épaisseur appropriée.

Des bandes en acier galvanisé, utilisées comme prises de terre à fond de fouille, peuvent être incorporées dans le béton et être directement connectées aux tiges de renfort en acier. Le cuivre et l'acier inoxydable dans le béton sont également acceptés et peuvent être directement connectés aux armatures d'acier.

En raison du potentiel naturel de l'acier dans le béton, il convient que les prises de terre complémentaires en dehors du béton soient constituées de cuivre ou d'acier inoxydable.

Dans le béton renforcé par des fibres en acier, s'il n'est pas possible d'assurer un enrobage de béton d'une épaisseur d'au moins 50 mm au-dessus des électrodes de terre, l'utilisation de prises de terre en acier n'est pas admise dans la mesure où, lors de la construction, la prise de terre en acier peut être tassée, par exemple, par les machines employées, et entrer en contact avec le sol. Dans ce cas, l'acier est soumis à un risque grave de corrosion. Le cuivre et l'acier inoxydable constituent des matériaux appropriés pour les prises de terre dans le béton renforcé par des fibres en acier.

### **E.6 Installation intérieure de protection contre la foudre**

#### **E.6.1 Généralités**

Les exigences pour la conception de l'installation intérieure de protection contre la foudre sont données à l'Article 6.

L'installation extérieure de protection contre la foudre et sa relation avec les parties conductrices et les installations à l'intérieur de la structure déterminent, dans une large mesure, la nécessité d'une installation intérieure de protection contre la foudre.

Une consultation avec toutes les autorités et parties concernées par l'équipotentialité est essentielle.

Il convient que le concepteur et l'installateur d'un SPF attirent l'attention sur le fait que les mesures indiquées dans l'Article E.6 sont très importantes afin de réaliser une protection contre la foudre appropriée. Il convient que l'acheteur en soit informé en conséquence.

L'installation intérieure de protection contre la foudre est identique pour tous les niveaux de protection à l'exception des distances de séparation.

Les mesures nécessaires à l'installation intérieure de protection contre la foudre vont au-delà des mesures d'équipotentialité pour les réseaux de puissance alternatifs dans de nombreux cas, en raison de la valeur élevée du courant et du temps de montée de ce dernier dans le cas d'un coup de foudre.

NOTE S'il y a lieu de prendre en considération la protection contre l'EMF, il convient de tenir compte de la CEI 62305-4.

## **E.6.2 Liaison équipotentielle de foudre (EB)**

### **E.6.2.1 Conception**

Dans le cas d'un SPF extérieur isolé, l'équipotentialité est réalisée uniquement au niveau du sol.

Dans le cas de structures industrielles, les parties conductrices à continuité électrique de la structure et de la toiture peuvent généralement être utilisées comme composants naturels du SPF et peuvent être employées pour la réalisation de l'équipotentialité.

Il convient de connecter à l'équipotentialité non seulement les parties conductrices de la structure et les matériels situés à l'intérieur, mais également les conducteurs du réseau d'alimentation et du matériel de communication. Pour les prises de terre installées à l'intérieur de la structure, il convient d'accorder une attention toute particulière au contrôle des tensions de pas. Des mesures appropriées incluent la connexion locale des armatures d'acier aux prises de terre ou la disposition d'un réseau maillé d'équipotentialité dans la cave ou le sous-sol.

Pour des bâtiments de hauteur supérieure à 30 m, il est recommandé de répéter l'équipotentialité à un niveau de 20 m, puis tous les 20 m au-delà de ce niveau. Les exigences de séparation sont généralement satisfaites.

Cela signifie qu'il convient au moins de mettre à la terre les conducteurs de descente intérieurs et extérieurs et les parties métalliques à ces niveaux. Il convient de mettre les conducteurs actifs à la terre par l'intermédiaire de parafoudres.

#### **E.6.2.1.1 Conducteurs d'équipotentialité**

Il convient que les conducteurs d'équipotentialité soient capables de supporter la partie du courant de foudre qui s'écoule entre eux.

Les conducteurs qui permettent de relier les installations métalliques internes à la structure ne supportent normalement pas une partie importante du courant de foudre. Leurs dimensions minimales sont indiquées au Tableau 9.

Les conducteurs qui permettent de relier les parties conductrices extérieures au SPF supportent habituellement une partie importante du courant de foudre. Leurs dimensions minimales sont indiquées au Tableau 8.

#### **E.6.2.1.2 Parafoudres**

Il convient que les parafoudres supportent la partie du courant de foudre susceptible de les traverser sans dommage. Il convient qu'un parafoudre soit également capable d'éteindre les courants de suite électriques de l'alimentation s'ils sont connectés aux conducteurs de puissance.

Le choix d'un parafoudre doit être conforme à 6.2. Lorsque la protection des réseaux internes contre l'IEMF est requise, les parafoudres doivent également être conformes à la CEI 62305-4.

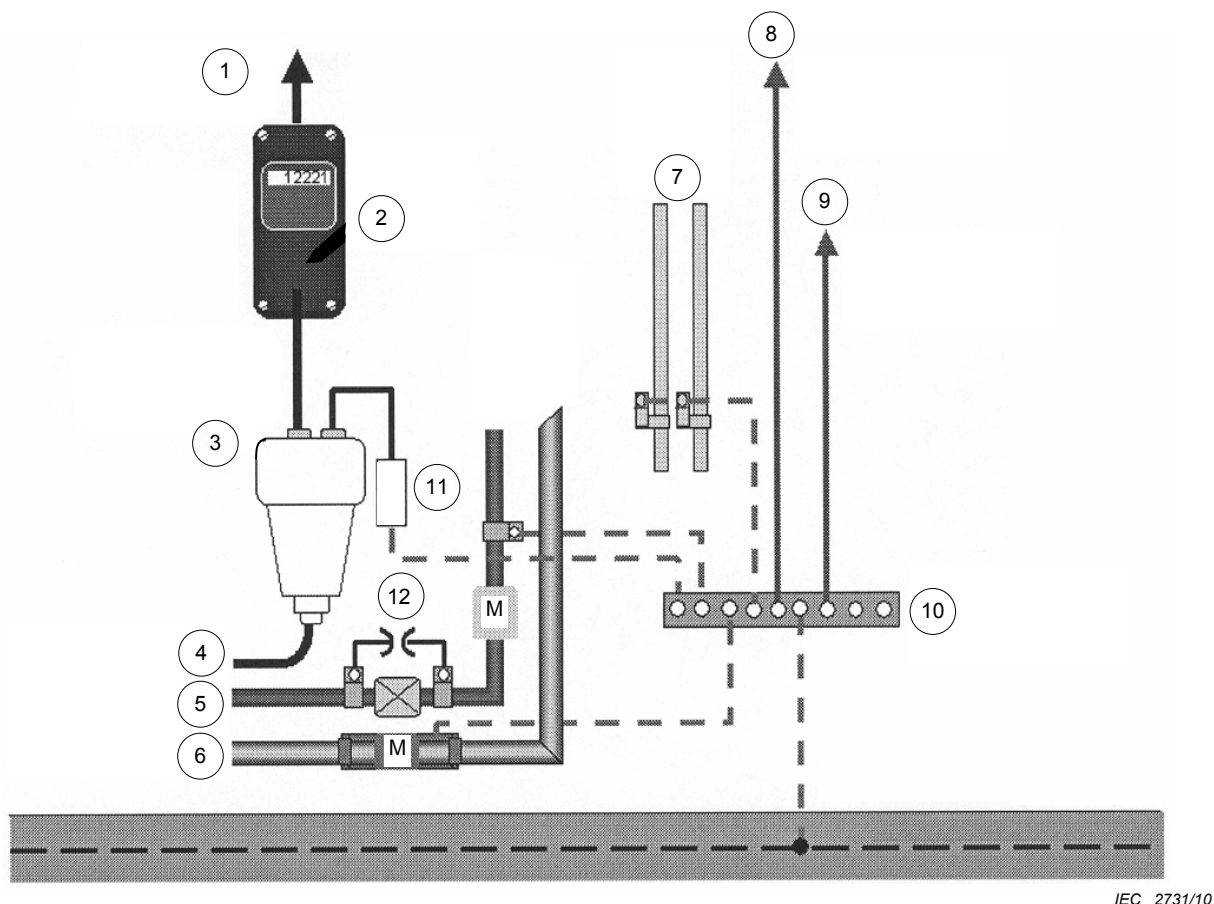
### **E.6.2.2 Equipotentialité des parties conductrices intérieures**

Il convient de prévoir et d'installer une équipotentialité de sorte que les parties conductrices intérieures et extérieures, ainsi que les réseaux de puissance et de communication (par exemple, ordinateurs et systèmes de sécurité), puissent être reliés par des conducteurs d'équipotentialité courts. Il convient de relier directement les parties conductrices intérieures et extérieures n'ayant pas de fonction électrique. Il convient de relier toutes les connexions électriques (puissance et communication) au moyen de parafoudres.

Les installations métalliques, c'est-à-dire les canalisations d'eau et de gaz, conduits de chauffage et d'air, gaines d'ascenseur, supports de grues, etc., doivent être reliées entre elles et au SPF au niveau du sol.

Des étincelles peuvent apparaître sur les parties métalliques n'appartenant pas à la structure si ces parties se situent à proximité des conducteurs de descente du SPF. Lorsque cela est considéré comme dangereux, il convient d'appliquer des mesures d'équipotentialité appropriées conformes à 6.2 afin de prévenir le risque d'étincelles.

Une disposition de barre d'équipotentialité est présentée à la Figure E.43.



#### Légende

- 1 alimentation d'utilisation
- 2 compteur
- 3 boîte de connexion domestique
- 4 réseau public de puissance
- 5 gaz
- 6 eau
- 7 installation de chauffage central
- 8 appareils électroniques
- 9 écran du câble d'antenne
- 10 barre d'équipotentialité
- 11 parafoudre
- 12 éclateur d'isolement
- M compteur

**Figure E.43 – Exemple de disposition d'équipotentialité**

Il convient que les barres d'équipotentialité soient situées de sorte qu'elles soient connectées au réseau de prises de terre ou aux conducteurs de ceinturage horizontaux au moyen de conducteurs courts.

Il est préférable d'installer la barre d'équipotentialité sur la paroi interne d'un mur extérieur, proche du sol et du tableau général de distribution et de la relier rigidement au réseau de prises de terre comprenant la prise de terre en boucle, la prise de terre à fond de fouille et la prise de terre naturelle telle que les armatures d'acier interconnectées, le cas échéant.

Dans des bâtiments étendus, plusieurs barres d'équipotentialité peuvent être utilisées à condition qu'elles soient interconnectées. Les connexions très longues peuvent former de grandes boucles qui engendrent des courants et des tensions induits élevés. Pour réduire ces effets au minimum, il convient de prendre en considération une interconnexion maillée de ces connexions, de la structure et du réseau de prises de terre conformément à la CEI 62305-4.

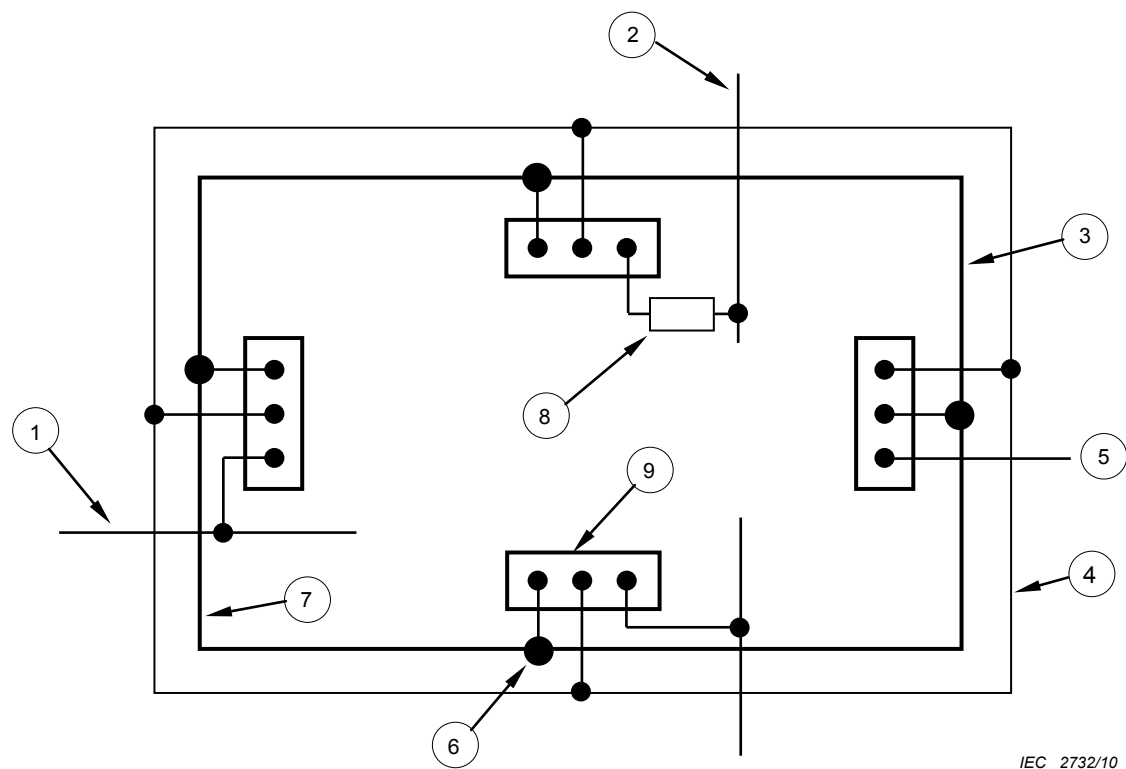
Dans les structures en béton armé conformes à 4.3, l'armature peut être utilisée pour l'équipotentialité. Dans ce cas, il convient d'incorporer dans les parois un réseau maillé complémentaire de bornes terminales soudées ou boulonnées, décrit en E.4.3, auquel il convient de connecter les barres d'équipotentialité par l'intermédiaire des conducteurs soudés.

NOTE Dans ce cas, il n'est pas nécessaire de maintenir une distance de séparation.

Les sections minimales d'un conducteur ou d'un connecteur d'équipotentialité sont indiquées dans les Tableaux 8 et 9. Il convient que toutes les parties conductrices intérieures de dimensions significatives, telles que rails d'ascenseurs, grues, planchers métalliques, canalisations et services électriques, soient connectées à la barre d'équipotentialité la plus proche par un conducteur d'équipotentialité court au niveau du sol et à d'autres niveaux si la distance de séparation conforme à 6.3 ne peut être maintenue. Il convient que les barres d'équipotentialité et autres parties analogues résistent aux courants de foudre présumés.

Dans les structures à parois renforcées, seule une petite fraction du courant de foudre total est sensée écouler dans les parties d'équipotentialité.

Les Figures E.44, E.45 et E.46 illustrent les dispositions d'équipotentialité dans des structures avec des entrées multiples de services extérieurs.



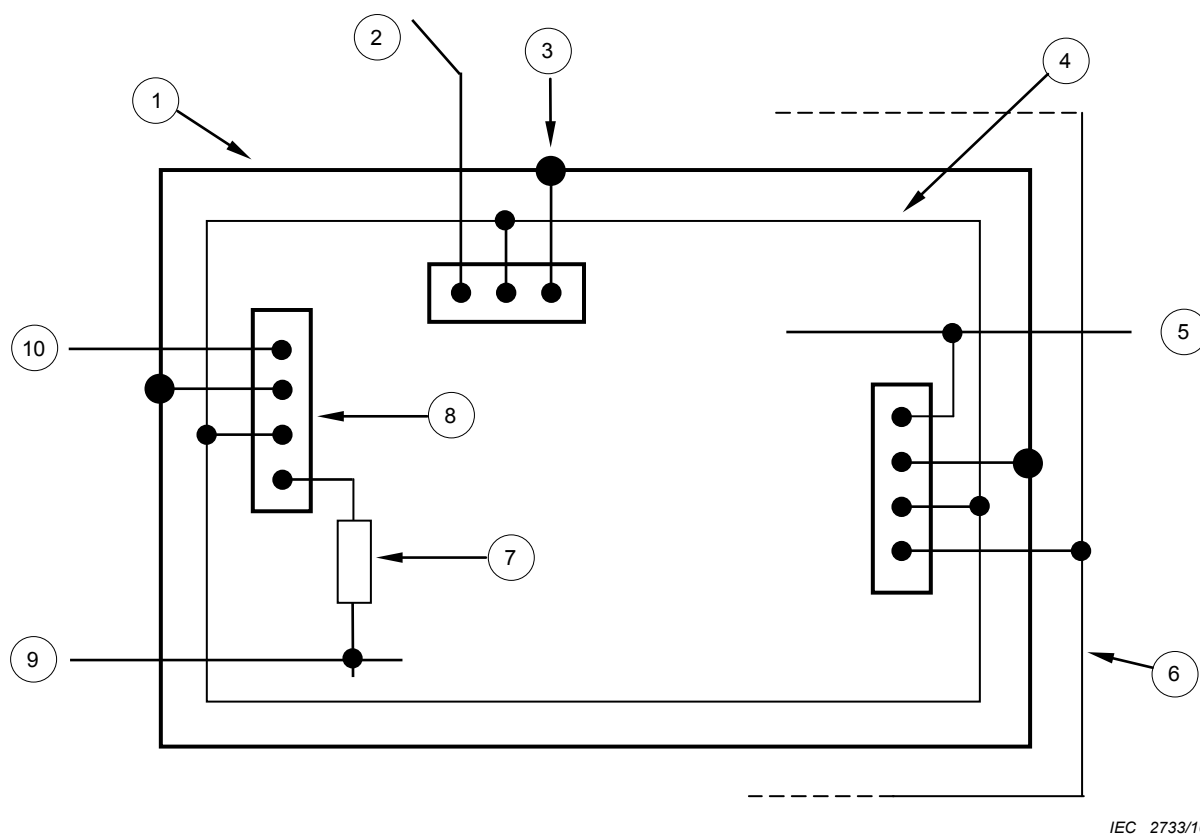
IEC 2732/10

**Légende**

- 1 partie conductrice extérieure, par exemple canalisation d'eau métallique
- 2 réseau de puissance ou de communication
- 3 armature d'acier du mur extérieur en béton et de la fondation
- 4 prise de terre en boucle
- 5 vers une prise de terre complémentaire
- 6 borne spéciale d'équipotentialité
- 7 mur en béton armé, voir Légende, 3
- 8 parafoudre
- 9 barre d'équipotentialité

NOTE L'armature d'acier de la fondation est utilisée comme prise de terre naturelle.

**Figure E.44 – Exemple d'une disposition d'équipotentialité d'une structure avec des entrées multiples de parties conductrices extérieures utilisant une prise de terre en boucle pour l'interconnexion des barres d'équipotentialité**

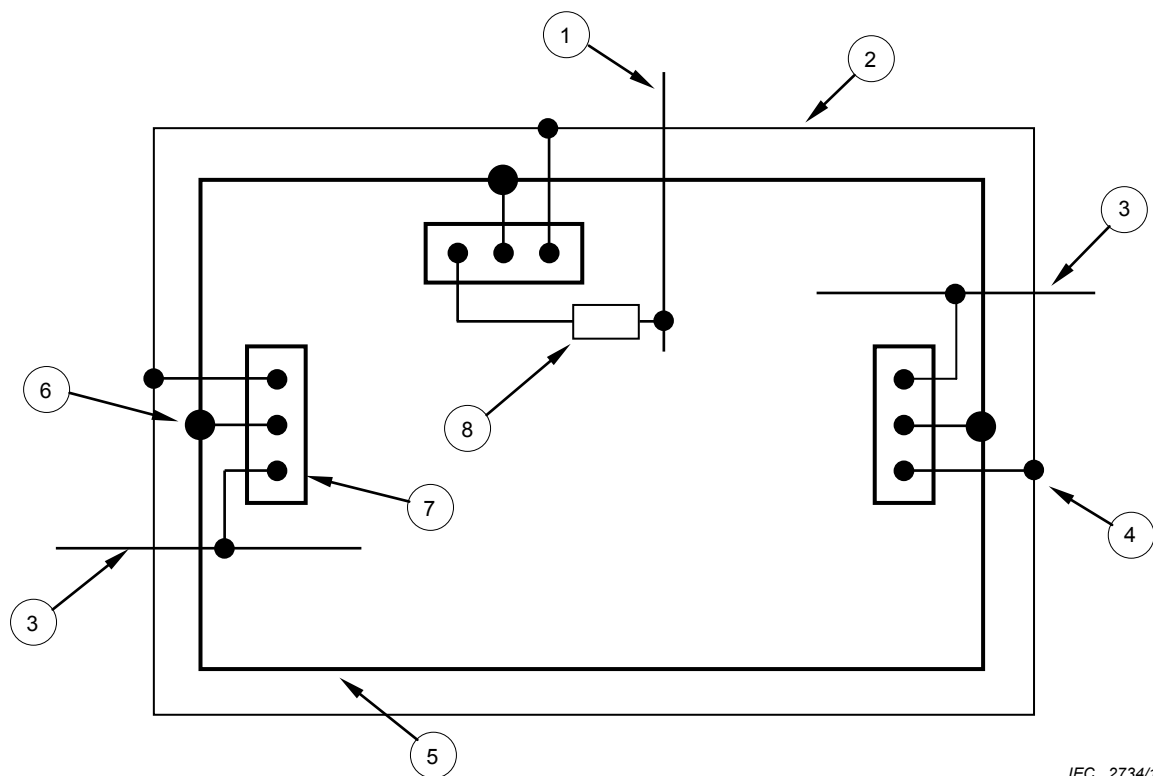


**Légende**

- 1 armature d'acier du mur extérieur en béton et de la fondation
- 2 autre prise de terre
- 3 borne d'équipotentialité
- 4 conducteur de ceinturage intérieur
- 5 vers la partie conductrice extérieure, par exemple, canalisation d'eau
- 6 prise de terre en boucle de terre, disposition de terre de type B
- 7 parafoudre
- 8 barre d'équipotentialité
- 9 réseau de puissance ou de communication
- 10 vers la prise de terre complémentaire, disposition de terre de type A

**Figure E.45 – Exemple d'équipotentialité dans le cas d'entrées multiples de parties conductrices extérieures et d'un réseau de puissance ou de communication utilisant un conducteur de ceinturage intérieur pour l'interconnexion des barres d'équipotentialité**





IEC 2734/10

**Légende**

- 1 réseau de puissance ou de communication
- 2 conducteur de ceinturage horizontal extérieur (au-dessus du sol)
- 3 partie conductrice extérieure
- 4 borne de conducteur de descente
- 5 armature d'acier dans le mur
- 6 borne d'équipotentialité à un élément en acier de la construction
- 7 barre d'équipotentialité
- 8 parafoudre

**Figure E.46 – Exemple de disposition d'équipotentialité d'une structure avec des entrées multiples de parties conductrices extérieures dans la structure au-dessus du niveau du sol**

**E.6.2.3 Equipotentialité de foudre pour les parties conductrices extérieures**

Pas d'informations complémentaires disponibles.

**E.6.2.4 Equipotentialité de foudre pour les réseaux de puissance et de communication avec la structure à protéger**

Des détails pour l'équipotentialité de foudre des réseaux internes sont donnés dans la CEI 62305-4.

**E.6.2.5 Equipotentialité des services extérieurs**

Il convient, de préférence, que les parties conductrices extérieures et les services de puissance et de communication pénètrent dans la structure à proximité du niveau du sol et en un point commun.

Il convient que l'équipotentialité soit réalisée le plus près possible du point de pénétration dans le bâtiment. Dans le cas d'un réseau d'alimentation basse tension, cela est réalisé immédiatement en aval de la boîte d'entrée (soumis à l'agrément de la compagnie d'électricité locale).

Il convient que la barre d'équipotentialité à ce point d'entrée commun soit reliée par des conducteurs d'équipotentialité courts au réseau de prises de terre.

Si les services entrant dans le bâtiment sont des services écrantés, les écrans doivent être reliés à la barre d'équipotentialité. La surtension sur les conducteurs actifs dépend de la valeur du courant partiel de foudre dans l'écran (c'est-à-dire selon l'Annexe B) et de la section de l'écran. L'Annexe E de la CEI 62305-1:2010 donne une méthode d'estimation de ce courant. Des parafoudres se révèlent nécessaires si les surtensions prévues dépassent les spécifications du service et des objets connectés.

Si les services entrant dans le bâtiment sont des services non écrantés, le courant partiel de foudre s'écoule dans les conducteurs actifs. Dans ce cas, il convient de placer des parafoudres avec capacité d'écoulement du courant de foudre au point d'entrée. Les conducteurs PE ou PEN peuvent être directement connectés à la barre d'équipotentialité.

Lorsque les parties conductrices extérieures et les services de puissance et de communication doivent pénétrer dans la structure en des points différents, et nécessitent par conséquent l'installation de plusieurs barres d'équipotentialité, il convient de connecter lesdites barres le plus près possible du réseau de prises de terre, c'est-à-dire la prise de terre en boucle, de l'armature de la structure et de la prise de terre à fond de fouille, le cas échéant.

Lorsqu'une disposition de terre de type A est utilisée comme partie intégrante du SPF, il convient de connecter les barres d'équipotentialité à chaque prise de terre et, par ailleurs, de les connecter à l'aide d'un conducteur de ceinturage intérieur ou d'un conducteur intérieur formant une boucle partielle.

Pour les entrées des services extérieurs au-dessus du sol, il convient de connecter les barres d'équipotentialité à un conducteur de ceinturage horizontal situé à l'intérieur ou à l'extérieur de la paroi extérieure reliée aux conducteurs de descente du SPF et à l'armature métallique de la structure, le cas échéant.

Il convient de relier le conducteur de ceinturage à l'armature d'acier et autres éléments métalliques de la structure, à intervalles réguliers de la distance comprise entre les conducteurs de descente tel qu'indiqué au Tableau 4, généralement tous les 5 m à 10 m.

Dans les bâtiments conçus principalement pour des centres informatiques, de communication et d'autres structures requérant un faible niveau d'effets d'induction de l'EMF, il convient de connecter le conducteur de ceinturage à l'armature, généralement tous les 5 m.

Pour l'équipotentialité des services extérieurs dans des bâtiments en béton armé contenant des installations importantes de communication ou informatiques, et pour des structures avec des demandes de compatibilité électromagnétique strictes, il convient d'utiliser un «plan de masse» comportant plusieurs connexions à l'armature métallique de la structure ou d'autres éléments métalliques.

### **E.6.3 Isolation électrique du SPF extérieur**

#### **E.6.3.1 Généralités**

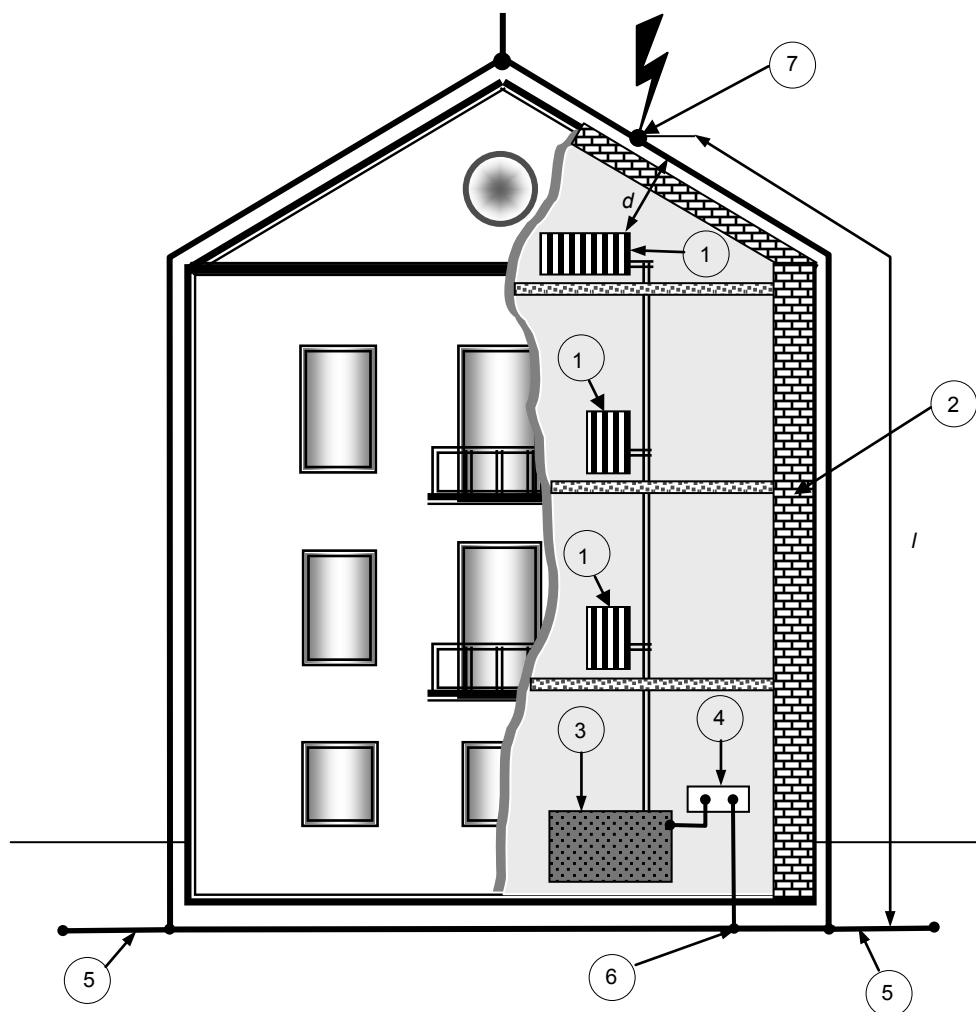
Il convient de maintenir une distance de séparation appropriée, déterminée selon 6.3, entre le SPF extérieur et toutes les parties conductrices reliées à l'équipotentialité de la structure.

La distance de séparation peut être évaluée par l'Equation (4) indiquée en 6.3.

Il convient que la longueur de référence  $l$  pour le calcul de la distance de séparation  $s$  (voir 6.3) soit la distance entre le point de connexion à l'équipotentialité et le point le plus proche en suivant le conducteur de descente. Il convient que les conducteurs de toiture et de

descente suivent le chemin le plus direct possible, afin de maintenir la distance de séparation nécessaire à un niveau faible.

La longueur et le cheminement du conducteur entre la barre d'équipotentialité et le point de proximité dans le bâtiment ont généralement peu d'influence sur la distance de séparation, mais lorsque ce conducteur chemine à proximité d'un conducteur d'écoulement du courant de foudre, la distance de séparation nécessaire est diminuée. La Figure E.47 illustre la méthode de mesure sur un SPF de la longueur critique,  $l$ , utilisée pour le calcul de la distance de séparation,  $s$ , selon 6.3.



IEC 2735/10

### Légende

- 1 radiateur/chauffage métallique
- 2 paroi en briques ou en bois
- 3 chauffage
- 4 barre d'équipotentialité
- 5 réseau de prises de terre
- 6 connexion au réseau de prises de terre ou au conducteur de descente
- 7 cas le plus défavorable
- $d$  distance réelle
- $l$  longueur pour l'évaluation de la distance de séparation,  $s$

NOTE La structure est constituée de briques isolantes.

**Figure E.47 – Indications pour les calculs de la distance de séparation,  $s$ , pour le cas le plus défavorable de point d'impact de foudre à une distance,  $l$ , du point de référence selon 6.3**

Dans les structures où les composants de construction sont utilisés comme conducteurs de descente naturels, par exemple, armature d'acier dans le béton, il convient que le point de référence soit le point de connexion au conducteur de descente naturel.

Il convient que les structures dont les surfaces extérieures ne comportent pas d'éléments conducteurs, telles que les structures en bois ou en briques, utilisent la plus courte distance totale possible le long des conducteurs de protection contre la foudre / entre le point d'impact de la foudre le plus défavorable et le réseau de prises de terre le plus proche ou le point de connexion du réseau d'équipotentialité de l'installation intérieure au conducteur de descente ou au réseau de prises de terre, pour le calcul de la distance de séparation,  $s$ , selon 6.3.

Lorsqu'il n'est pas possible de maintenir la distance supérieure à la distance de séparation  $s$  sur toute la longueur de l'installation considérée, il convient de réaliser également l'équipotentialité de l'installation au SPF au point le plus éloigné du point d'équipotentialité de référence (voir Figure E.47). Par conséquent, il convient que le nouveau cheminement des conducteurs de puissance soit conforme aux exigences relatives à la distance de séparation (voir 6.3) ou bien il convient que ces conducteurs soient entourés par un écran conducteur relié au SPF au point le plus éloigné du point d'équipotentialité de référence.

Lorsque l'équipotentialité des installations au SPF dans des bâtiments dont la hauteur est inférieure à 30 m est réalisée au point de référence et au point le plus éloigné, la distance de séparation est satisfaite tout au long du parcours de l'installation.

Les points suivants sont souvent critiques et nécessitent une attention particulière:

- Dans le cas de structures plus importantes, la distance de séparation entre les conducteurs du SPF et les installations métalliques est souvent tellement grande qu'elle ne peut pas être appliquée. Cela implique une équipotentialité supplémentaire du SPF à ces installations métalliques. Par conséquent, une partie du courant de foudre s'écoule à travers ces installations métalliques vers le réseau de prises de terre de la structure.
- Il convient de prendre en compte la perturbation électromagnétique due à ces courants partiels dans la planification des installations de la structure et la conception des zones électromagnétiques de protection contre la foudre à l'intérieur de la structure conformément à la CEI 62305-4.

Cependant, cette perturbation est nettement plus faible que celle due à une étincelle en ce point.

Dans le cas de toitures, la distance entre le SPF et les installations électriques est souvent plus courte que la distance de séparation,  $s$ , donnée en 6.3. Si tel est le cas, il convient de tenter d'installer le SPF ou le conducteur électrique en un lieu différent.

Il convient de conclure un accord avec la personne responsable de l'installation électrique afin d'effectuer un nouveau cheminement des circuits électriques qui ne sont pas conformes à la distance de séparation par rapport aux conducteurs de capture des structures.

Lorsque l'installation électrique ne peut faire l'objet d'un nouveau cheminement, il convient de réaliser l'équipotentialité avec le SPF extérieur conformément à 6.3.

Dans certains bâtiments, il n'est pas possible de maintenir les distances de séparation requises. Les constructions intérieures peuvent empêcher le concepteur ou l'installateur de juger les situations et de réaliser les connexions à certaines parties métalliques et à certains conducteurs de puissance. Il convient que cette information soit communiquée au propriétaire du bâtiment.

### **E.6.3.2 Approche simplifiée**

L'approche simplifiée conforme à 6.3.2 peut être appliquée, si l'allongement horizontal le plus grand de la structure (longueur ou largeur) ne dépasse pas quatre fois sa hauteur.

#### E.6.4 Protection contre les effets des courants induits dans les réseaux internes

Les courants dans les conducteurs du SPF extérieur peuvent induire des surtensions excessives dans les boucles de conducteurs des installations internes par l'effet du couplage magnétique. Les surtensions peuvent entraîner des défaillances des réseaux internes.

Dans la mesure où la quasi-totalité des bâtiments comportent des matériels électroniques, il convient de prendre en compte l'effet du champ électromagnétique des conducteurs de descente extérieurs et intérieurs lors de la conception du système de protection contre la foudre.

Les mesures de protection contre les surtensions sont indiquées dans la CEI 62305-4.

### E.7 Maintenance et inspection du SPF

#### E.7.1 Objet des inspections

Il convient que l'inspection du SPF soit menée par un spécialiste de la protection contre la foudre conformément aux recommandations de l'Article E.7.

Il convient que l'inspecteur détienne le rapport de conception du SPF comportant la documentation nécessaire de ce dernier, telle que les critères et la description de la conception et les schémas techniques. Il convient également que l'inspecteur détienne les précédents rapports de maintenance et d'inspection du SPF.

Il convient d'examiner tous les SPF dans les situations suivantes:

- lors de l'installation du SPF, particulièrement lors de l'installation des composants dissimulés dans la structure et qui deviennent inaccessibles;
- après l'achèvement de l'installation du SPF;
- de manière régulière selon le Tableau E.2.

**Tableau E.2 – Période maximale entre les inspections d'un SPF**

Niveau de protection	Inspection visuelle année	Inspection complète année	Inspection complète des situations critiques <sup>a b</sup> année
I et II	1	2	1
III et IV	1	4	1

<sup>a</sup> Il convient que les systèmes de protection contre la foudre utilisés dans les applications impliquant des structures avec un risque dû aux matériaux explosifs, fassent l'objet d'une inspection visuelle tous les 6 mois. Il convient de soumettre l'installation à des essais électriques une fois par an. Une exception acceptable au programme d'essai annuel consisterait à effectuer les essais sur un cycle de 14 à 15 mois lorsqu'il est considéré avantageux d'effectuer des essais de résistance de terre à des périodes différentes de l'année pour être informé des variations saisonnières.

<sup>b</sup> Les situations critiques peuvent inclure les structures contenant des réseaux internes sensibles, les immeubles administratifs et commerciaux ou les lieux de présence potentielle d'un grand nombre de personnes.

Il convient que les intervalles entre inspections donnés dans le Tableau E.2 s'appliquent lorsqu'aucune exigence spécifique n'est identifiée par l'autorité compétente.

NOTE Si les autorités ou les institutions nationales exigent des essais réguliers du réseau de puissance d'une structure, il est recommandé de soumettre conjointement à l'essai le système de protection contre la foudre eu égard à l'application des mesures internes de protection contre la foudre, y compris l'équipotentialité de protection contre la foudre avec les réseaux de puissance. Il convient que des installations plus anciennes soient, de façon analogue, liées à une classe de protection contre la foudre, ou il convient que les intervalles entre les essais respectent les spécifications locales ou toutes autres spécifications d'essai telles que directives de construction, réglementations techniques, instructions, sécurité au travail et protection du droit du travail.

Il convient de soumettre le SPF à une inspection visuelle au moins une fois par an. Dans les zones à changements climatiques importants et soumises à des conditions climatiques extrêmes, il est conseillé de soumettre le système de protection à une inspection visuelle plus souvent que les périodes indiquées dans le Tableau E.2. Lorsque le SPF fait partie intégrante du programme de maintenance prévu par le client, ou constitue une exigence des assureurs du bâtiment, il peut être exigé qu'il fasse l'objet d'un essai complet annuel.

Il convient de déterminer l'intervalle entre les inspections du SPF par les facteurs suivants:

- la classification de la structure protégée, particulièrement compte tenu des effets consécutifs des dommages causés;
- la classe du SPF;
- l'environnement local, par exemple, pour une atmosphère corrosive, il convient de réduire les intervalles entre les inspections;
- les matériaux des composants individuels du SPF;
- le type de surface sur laquelle sont fixés les composants du SPF;
- la nature du sol et les vitesses de corrosion associées.

Outre les facteurs susmentionnés, il convient d'inspecter un SPF lors de toute modification ou réparation significative d'une structure protégée et également suite à toute décharge de foudre identifiée subie par le SPF.

Il convient de réaliser une inspection et un essai complets tous les deux à quatre ans. Il convient que les réseaux soumis à des conditions d'environnement critiques, par exemple, parties du SPF soumises à des contraintes mécaniques sévères telles que des fixations de liaison souples dans des zones fortement ventées, des parafoudres installés sur des canalisations, une liaison extérieure des câbles etc., fassent l'objet d'une inspection complète annuelle.

Dans la plupart des zones géographiques, et plus particulièrement dans les zones soumises à des variations saisonnières extrêmes en termes de température et de pluie, il convient de prendre en compte la variation de la valeur de la résistance de terre en mesurant le profil de profondeur de la résistivité du sol en différentes saisons.

Il convient d'envisager une amélioration du réseau de prises de terre lorsque les valeurs de résistance mesurées présentent des variations plus importantes que celles présumées lors de la conception, particulièrement lorsque la résistance augmente régulièrement entre les inspections.

## **E.7.2 Ordre des inspections**

### **E.7.2.1 Procédure d'inspection**

L'objet de cette inspection est de s'assurer que le SPF est conforme à la présente norme à tous les égards.

Cette inspection comprend la vérification de la documentation technique, les inspections visuelles, les essais et l'enregistrement des données dans un rapport d'inspection.

### **E.7.2.2 Vérification de la documentation technique**

Il convient de vérifier la documentation technique pour s'assurer de son exhaustivité, de sa conformité à la présente norme et de la cohérence avec les schémas d'exécution de l'installation.

### **E.7.2.3 Inspections visuelles**

Il convient d'effectuer des inspections visuelles pour s'assurer que

- la conception est conforme à la présente norme,
- le SPF est en bon état,
- les conducteurs et les bornes du SPF ne présentent aucune connexion desserrée ni aucune rupture fortuite,
- aucune partie du réseau n'est affaiblie par la corrosion, particulièrement au niveau du sol,
- toutes les connexions de terre visibles sont intactes (fonctionnellement opérationnelles),
- tous les conducteurs et composants visibles du réseau sont fixés aux surfaces de montage et les composants de protection mécanique sont intacts (fonctionnellement opérationnels) et au bon emplacement,
- aucune extension ou modification de la structure protégée n'impose de protection complémentaire,
- aucun dommage du SPF ou des parafoudres, ni aucune défaillance des fusibles de protection des parafoudres ne sont constatés,
- une équipotentialité correcte a été réalisée pour les nouveaux services ou ajouts éventuels apportés à l'intérieur de la structure depuis la dernière inspection et dans la mesure où des essais de continuité ont été effectués pour ces nouveaux ajouts,
- les conducteurs et connexions d'équipotentialité à l'intérieur de la structure sont en place et intacts (fonctionnellement opérationnels),
- les distances de séparation sont maintenues,
- les conducteurs et les bornes d'équipotentialité, les écrans, le cheminement des câbles et les parafoudres ont été vérifiés et soumis à l'essai.

#### **E.7.2.4 Essais**

L'inspection et les essais du SPF comprennent des inspections visuelles qu'il convient de compléter par ce qui suit:

- la réalisation d'essais de continuité, notamment la continuité des parties du SPF non visibles lors de l'inspection effectuée lors de l'installation initiale et qui ne peuvent faire l'objet d'une inspection visuelle ultérieure;
- la réalisation d'essais de résistance de terre du réseau de prises de terre. Il convient d'effectuer les mesures et vérifications de résistance de terre isolées et associées suivantes, et de consigner les résultats dans un rapport d'inspection du SPF.

NOTE 1 Des mesures en haute fréquence ou par impulsion peuvent être effectuées et se révèlent utiles pour déterminer le comportement en haute fréquence ou par impulsion du réseau de prises de terre. Ces mesures peuvent être effectuées lors de l'installation, ainsi que de manière périodique pour la maintenance du réseau de prises de terre afin de vérifier la cohérence entre le réseau de prises de terre réalisé et le besoin de protection.

- a) La résistance de terre de chaque prise de terre locale et, lorsque la pratique le permet, la résistance de terre du réseau de prises de terre complet.

Il convient de mesurer chaque prise de terre locale isolée de la borne d'essai entre le conducteur de descente et la prise de terre en position de sectionnement (mesure isolée).

NOTE 2 Pour les réseaux de prises de terre comportant à la fois les tiges de terre verticales et une prise de terre en boucle partielle ou complète, il convient de réaliser le sectionnement et les essais à la fosse de visite de terre. Si ce type d'inspection est difficile à réaliser, il convient de compléter l'essai individuel par des essais à haute fréquence ou par impulsion.

Si la valeur de la résistance de terre globale du réseau de prises de terre excède  $10 \Omega$ , il convient d'effectuer une vérification pour s'assurer que la prise de terre est conforme à la Figure 3.

Si la valeur de la résistance de terre s'est sensiblement accrue ou réduite, il convient d'effectuer des examens complémentaires pour déterminer la cause de ce changement.

Pour les prises de terre situées dans des sols rocailloux, il convient de respecter les exigences de E.5.4.3.5. L'exigence de  $10 \Omega$  n'est pas applicable dans ce cas.

- b) Les résultats d'un contrôle visuel de tous les conducteurs, liaisons et bornes ou leur continuité électrique mesurée.

Si le réseau de prises de terre n'est pas conforme à ces exigences ou si la vérification des exigences n'est pas possible en raison d'un manque d'informations, il convient d'améliorer le réseau de prises de terre par l'installation de prises de terre supplémentaires ou d'un nouveau réseau de terre.

Les parafoudres dépourvus d'indicateur visuel doivent faire l'objet d'un essai, de préférence en appliquant les lignes directrices du fabricant ou en utilisant le matériel fourni par ce dernier.

### **E.7.2.5 Documentation d'inspection**

Il convient d'élaborer des guides d'inspection des SPF pour en faciliter l'inspection. Il convient que ces guides contiennent des informations suffisantes pour aider l'inspecteur dans le processus d'inspection, de manière à ce qu'il puisse se documenter sur toutes les parties importantes, telles que la méthode d'installation du SPF, le type et l'état des composants, les méthodes d'essai et l'enregistrement approprié des données obtenues.

Il convient que l'inspecteur élabore un rapport d'inspection du SPF qu'il convient de conserver avec le rapport de conception du SPF et les rapports de maintenance et d'inspection précédemment compilés.

Il convient que le rapport d'inspection du SPF comporte les informations suivantes:

- les conditions générales des conducteurs de capture et des autres composants de capture;
- le niveau général de corrosion et l'état de la protection contre la corrosion;
- la sécurité des fixations des conducteurs et des composants du SPF;
- les mesures de la résistance de terre du réseau de prises de terre;
- tout écart par rapport aux exigences de la présente norme;
- la documentation concernant toutes les modifications et extensions du SPF et tous changements éventuels de la structure. De plus, il convient de revoir les schémas d'installation et de description de conception du SPF;
- les résultats des essais effectués.

### **E.7.3 Maintenance**

Il convient de soumettre le SPF à un entretien régulier afin de s'assurer qu'il n'est pas détérioré et qu'il continue de satisfaire aux exigences pour lesquelles il a été conçu. Il convient que la conception d'un SPF détermine la maintenance et le cycle d'inspection nécessaires selon le Tableau E.2.

Il convient que le programme de maintenance du SPF assure une mise à jour permanente de ce dernier conformément à la présente norme.

#### **E.7.3.1 Remarques générales**

Les composants du SPF perdent de leur efficacité au cours des années en raison de la corrosion, des dommages liés aux intempéries, des dommages mécaniques et des dommages dus aux impacts de foudre.



Il convient que les programmes d'inspection et de maintenance soient spécifiés par une autorité ou par le concepteur ou l'installateur du SPF, en accord avec le propriétaire de la structure ou d'un représentant attitré.

Pour effectuer les travaux de maintenance et les inspections d'un SPF, il convient de coordonner les deux programmes, à savoir inspection et maintenance.

La maintenance d'un SPF est importante même si le concepteur du SPF a pris des mesures de prévention particulières pour assurer la protection contre la corrosion et a dimensionné les composants du SPF selon leur exposition particulière aux dommages causés par la foudre et aux intempéries, en complément des exigences de la présente norme.

Il convient que les caractéristiques mécaniques et électriques du SPF soient maintenues entièrement pendant toute la durée de vie de celui-ci afin de satisfaire aux exigences de conception de la présente norme.

Si des modifications sont effectuées sur le bâtiment ou ses équipements ou si l'objectif pour lequel le bâtiment est exploité est modifié, il peut se révéler nécessaire de modifier le SPF.

Si une inspection montre que des réparations sont nécessaires, il convient de les effectuer sans délai et de ne pas les reporter au cycle de maintenance suivant.

### **E.7.3.2 Procédure de maintenance**

Il convient d'établir des programmes de maintenance périodique pour tous les SPF.

La fréquence des procédures de maintenance dépend des éléments suivants:

- dégradation liée aux conditions climatiques et à l'environnement;
- exposition aux dommages réels causés par la foudre;
- niveau de protection affecté à la structure.

Il convient d'établir des procédures de maintenance pour chaque SPF particulier, tout comme il convient que ces procédures fassent partie intégrante du programme général de maintenance de la structure.

Il convient qu'un programme de maintenance comporte une liste de points de vérification régulière destinée à servir de liste de contrôle de sorte que les procédures de maintenance explicites soient régulièrement suivies afin de pouvoir comparer les résultats récents avec les résultats antérieurs.

Il convient qu'un programme de maintenance comporte les dispositions suivantes:

- vérification de tous les conducteurs du SPF et composants de réseau;
- vérification de la continuité électrique de l'installation de SPF;
- mesure de la résistance de terre du réseau de prises de terre;
- vérification des parafoudres;
- re-fixation des composants et des conducteurs;
- vérification destinée à s'assurer que l'efficacité du SPF n'a pas été réduite après ajouts ou modifications de la structure et de ses installations.

### **E.7.3.3 Documentation de maintenance**

Il convient de tenir des registres complets de toutes les procédures de maintenance, et il convient que lesdits registres comportent les actions correctives prises ou requises.

Il convient que les registres des procédures de maintenance prévoient des moyens d'évaluation des composants et de l'installation du SPF.

Il convient que le registre de maintenance du SPF serve de document de base pour la révision des procédures de maintenance ainsi que pour la mise à jour des programmes de maintenance. Il convient de conserver les registres de maintenance avec les rapports de conception et d'inspection du SPF.

## Bibliographie

- [1] NFPA (National Fire Protection Standards), 780:2008, *Standard for the Installation of Lightning Protection Systems*
- [2] IEC 61400-24, *Wind turbine generator systems – Part 24: Lightning protection* (disponible en anglais seulement)
- [4] CEI 60050-826:2004, *Vocabulaire Electrotechnique International – Partie 826: Installations électriques*
- [3] CEI 60050-426:2008, *Vocabulaire Electrotechnique International (VEI) – Partie 426: Matériel pour atmosphères explosives*
- [5] CEI/TR 61000-5-2, *Compatibilité électromagnétique (CEM) – Partie 5: Guides d'installation et d'atténuation – Section 2: Mise à la terre et câblage*
- [6] IEC 60728-11, *Cable networks for television signals, sound signals and interactive services – Part 11: Safety* (disponible en anglais seulement)

---





INTERNATIONAL  
ELECTROTECHNICAL  
COMMISSION

3, rue de Varembé  
PO Box 131  
CH-1211 Geneva 20  
Switzerland

Tel: + 41 22 919 02 11  
Fax: + 41 22 919 03 00  
[info@iec.ch](mailto:info@iec.ch)  
[www.iec.ch](http://www.iec.ch)